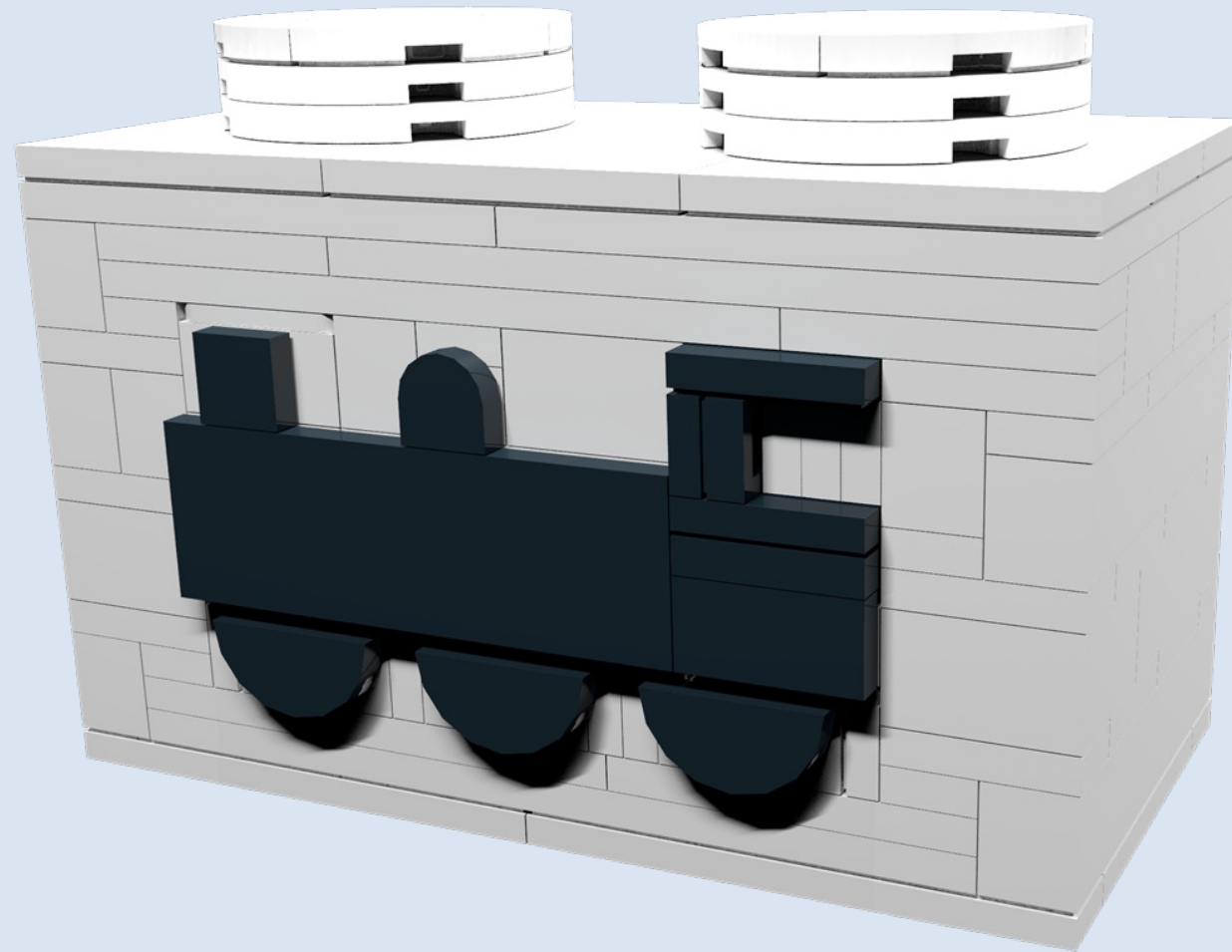


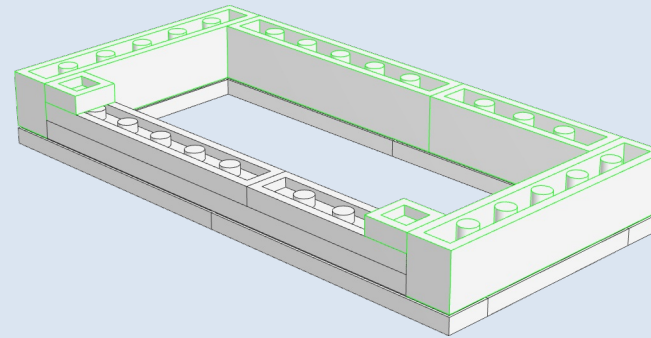
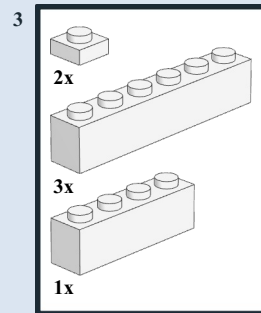
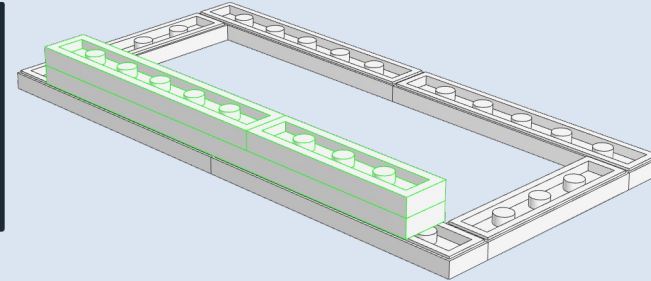
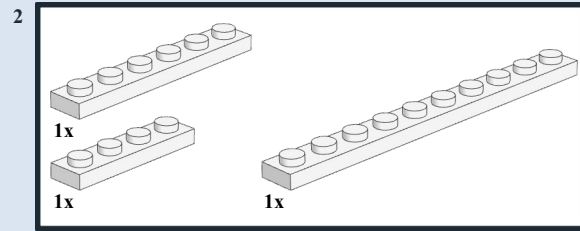
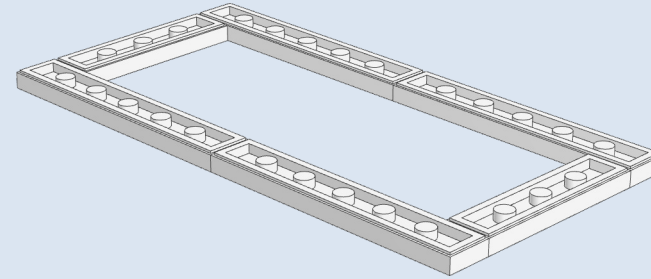
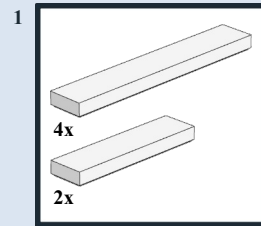
Togklodsen Brick



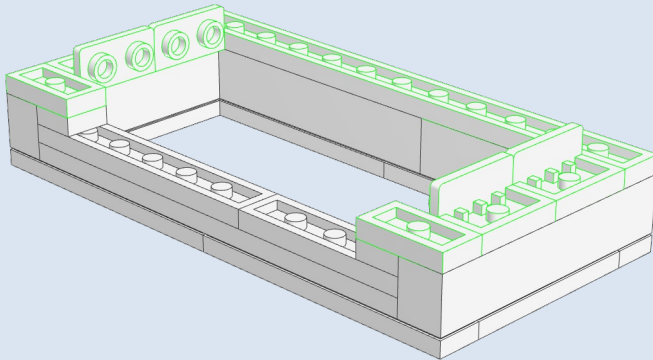
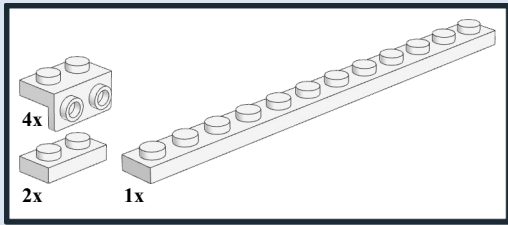
Original design By Lars Mogensen
Modified By Peder Svend Pedersen
Togklodsen.dk

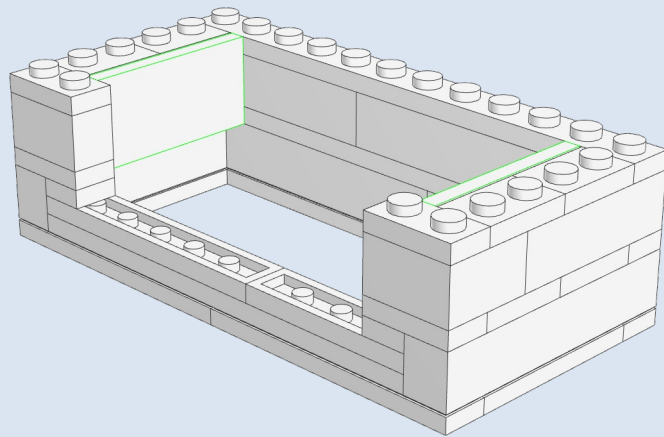
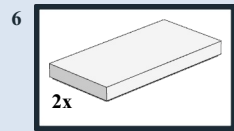
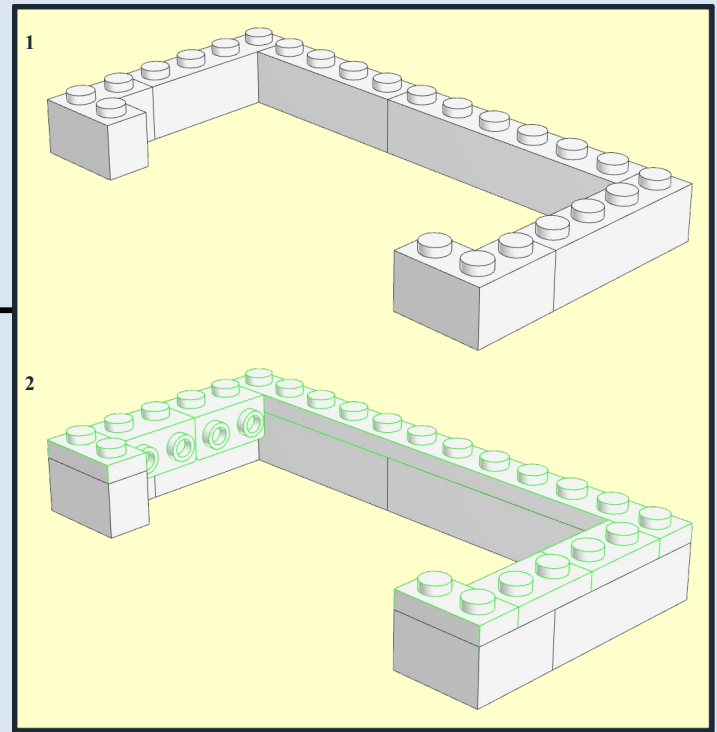
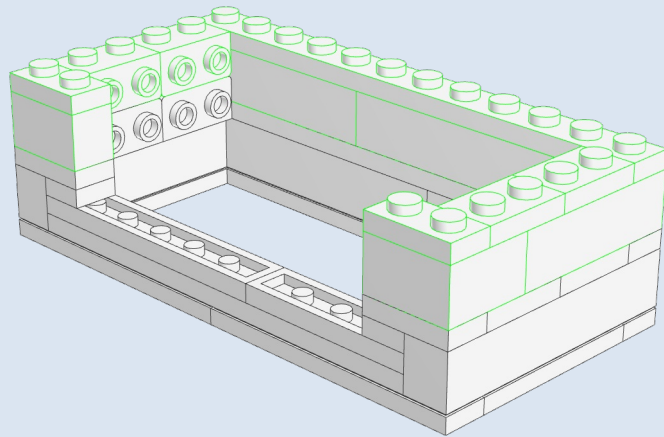
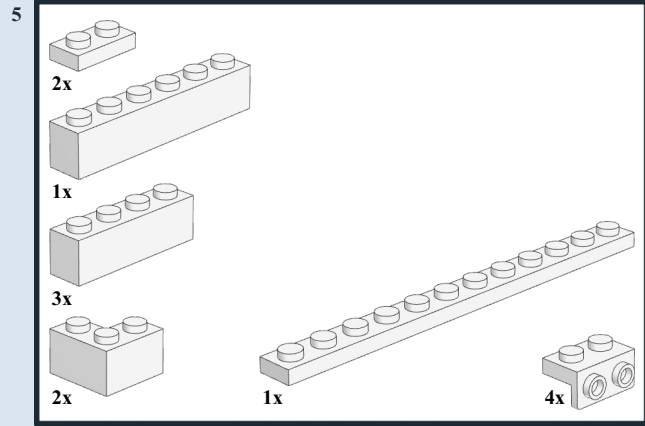
Link to online instructions:



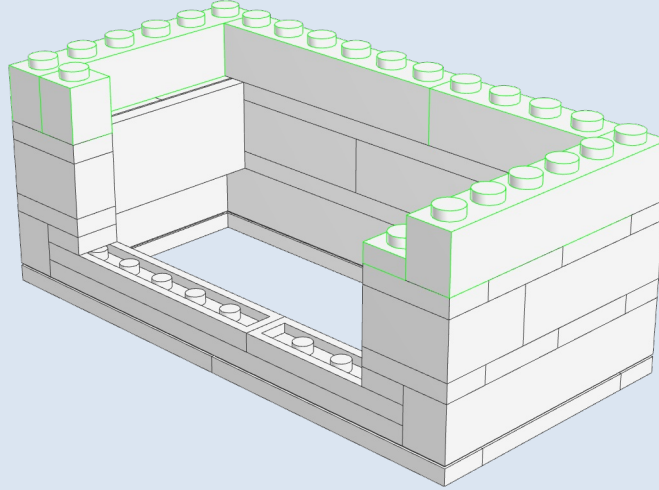
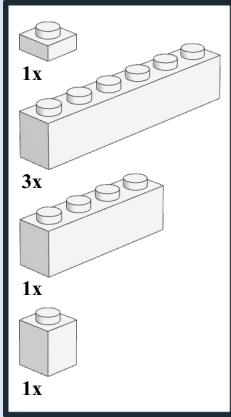


4

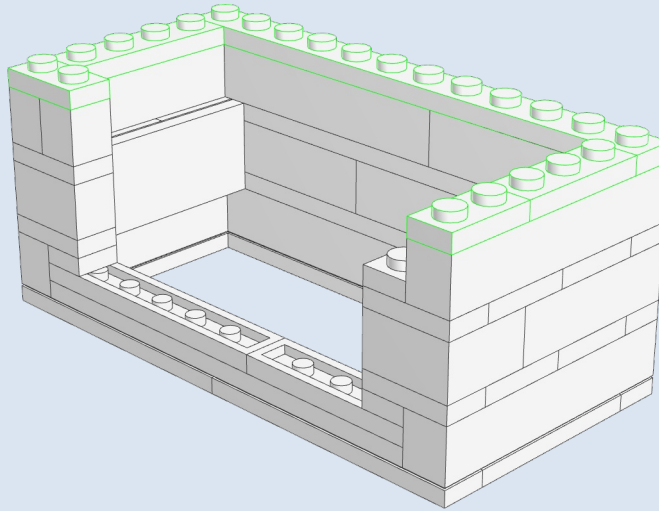
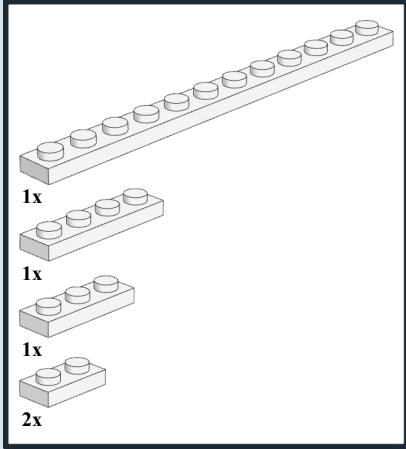


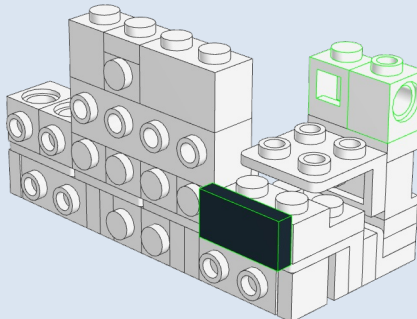
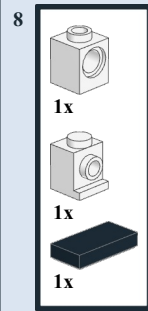
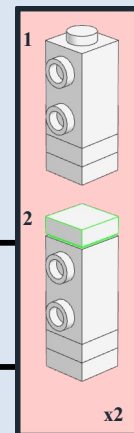
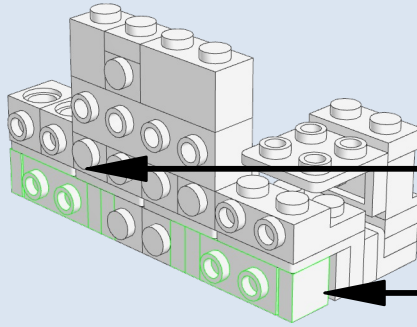
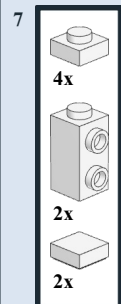
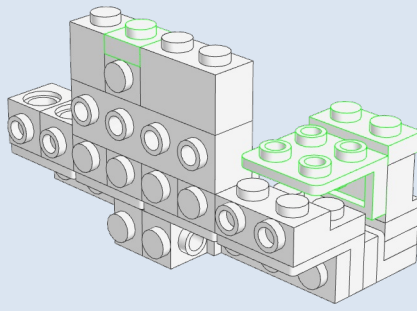
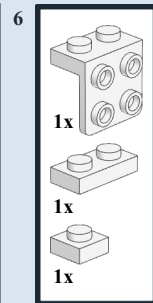
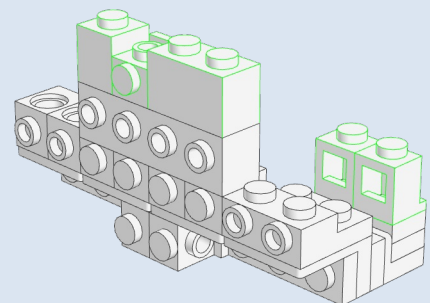
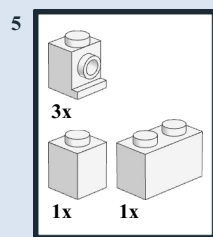
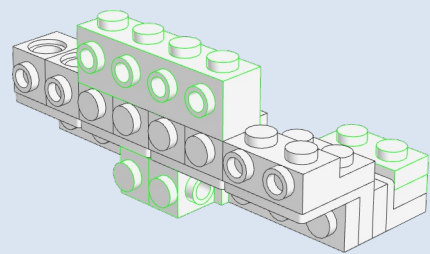
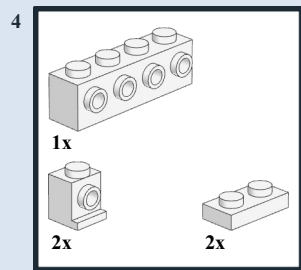
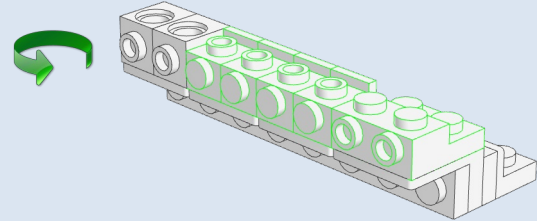
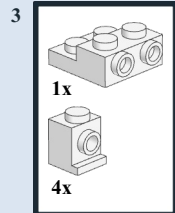
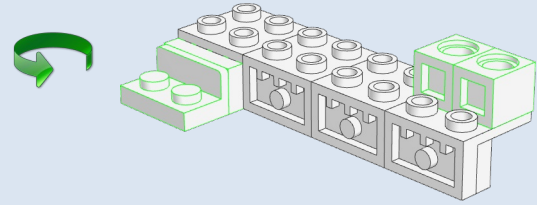
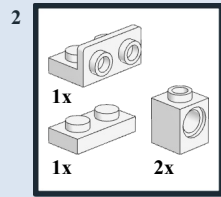
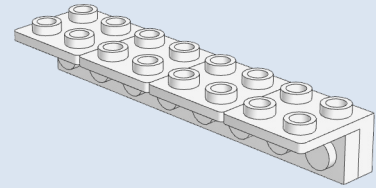
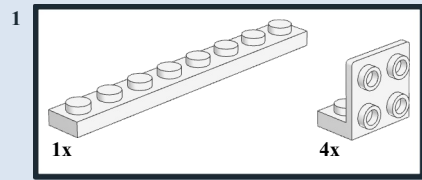


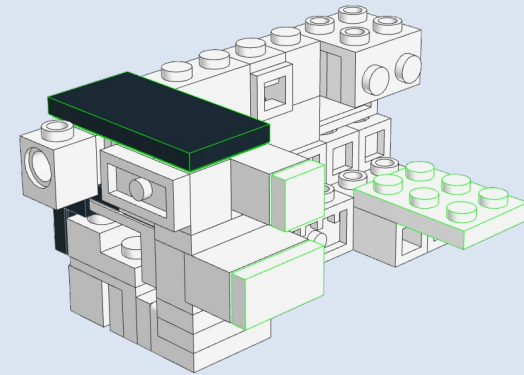
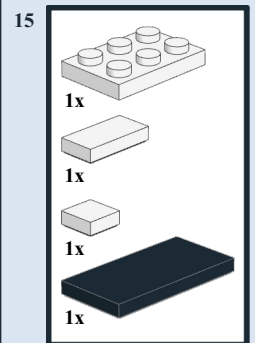
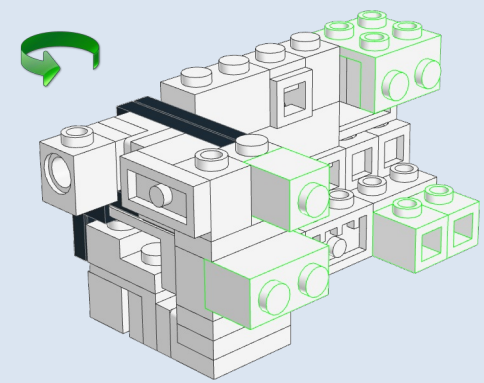
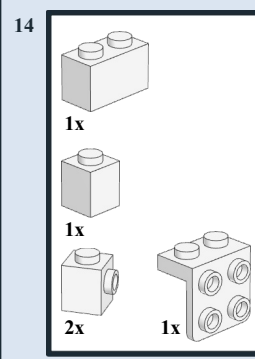
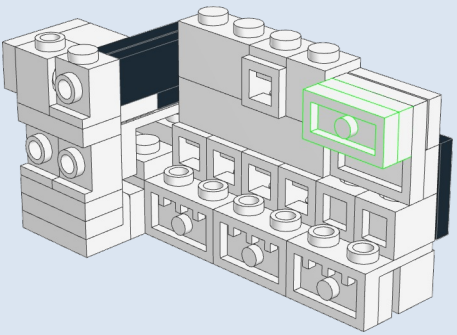
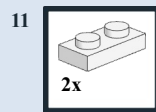
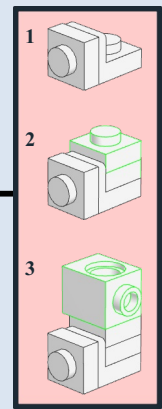
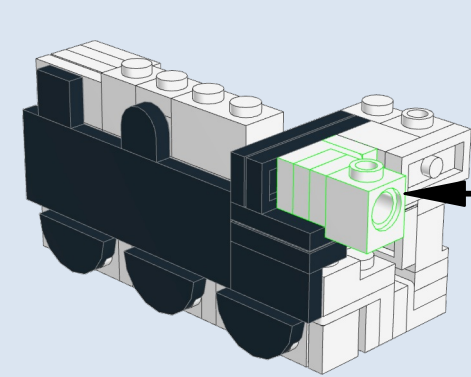
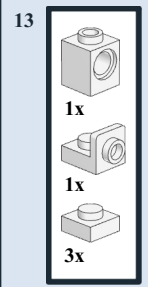
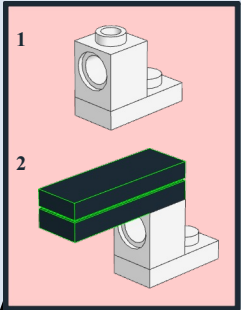
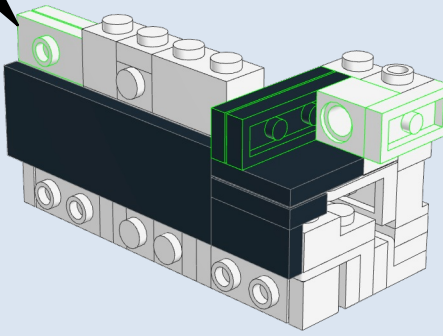
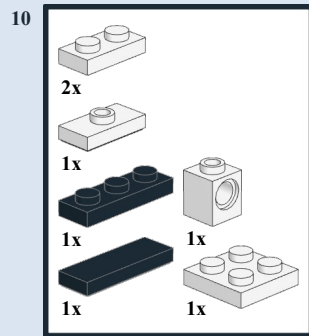
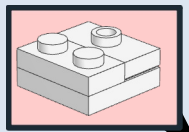
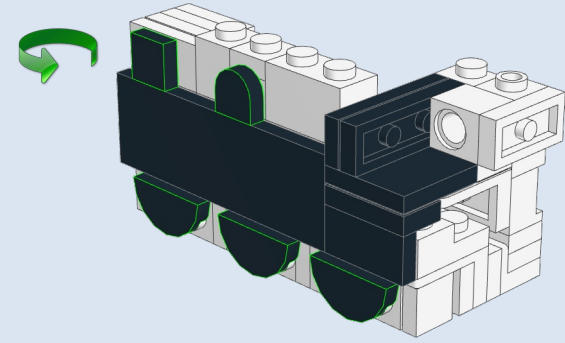
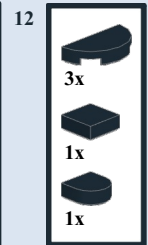
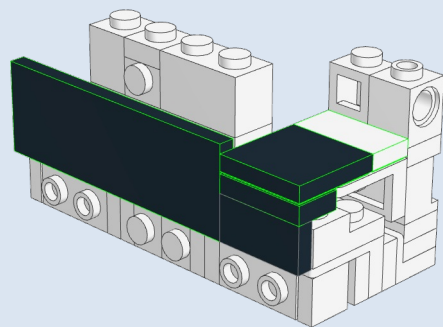
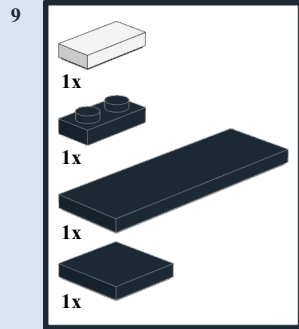
7



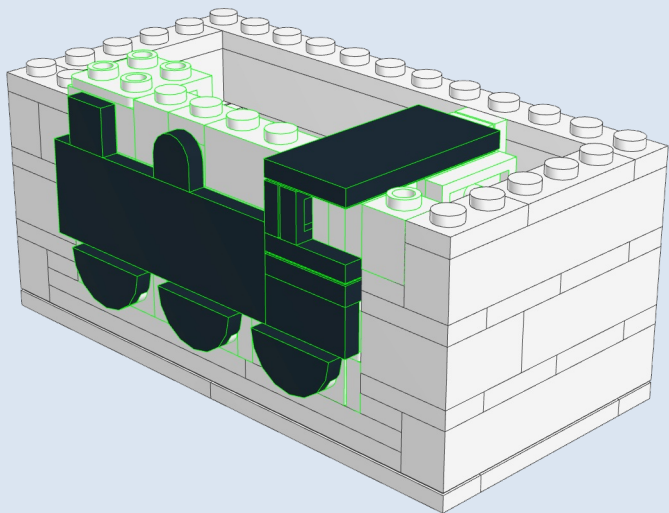
8



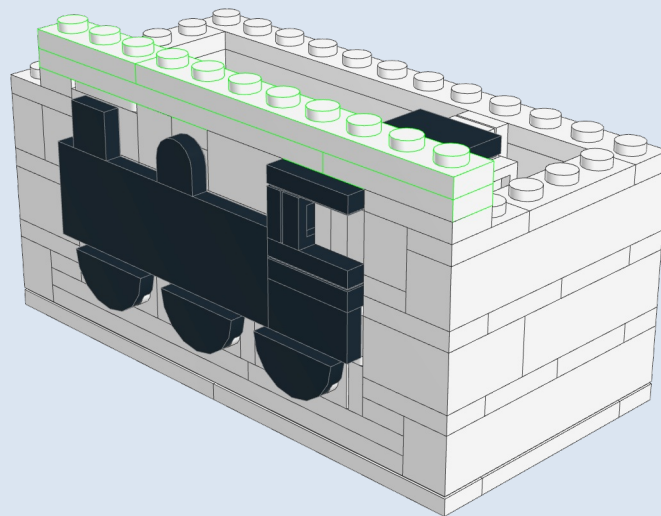
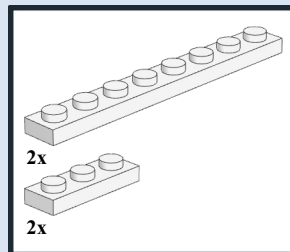




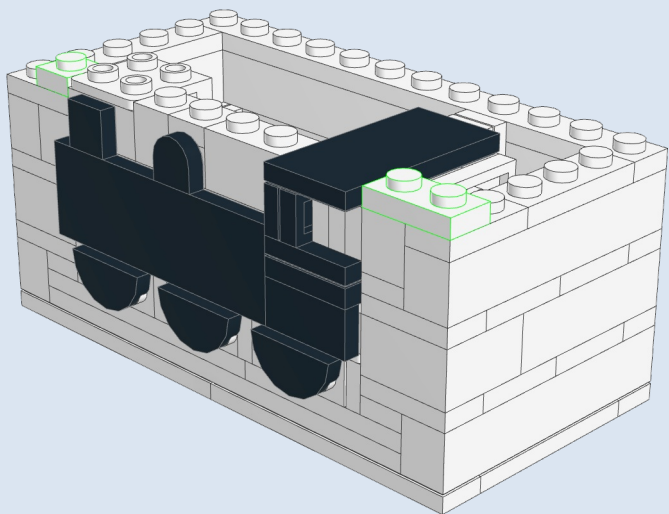
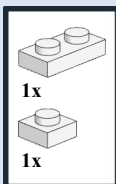
9



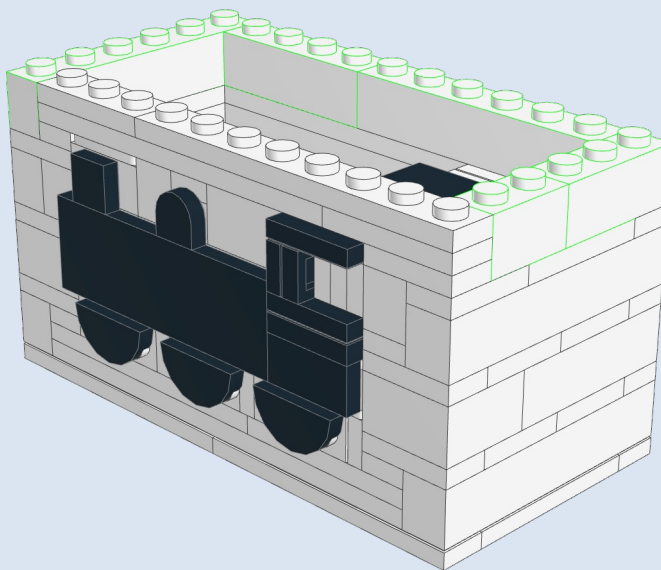
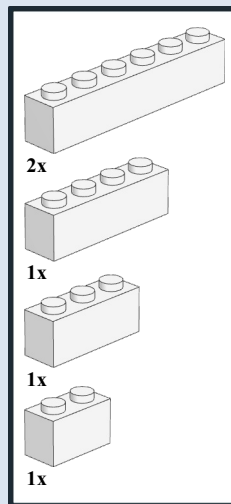
11

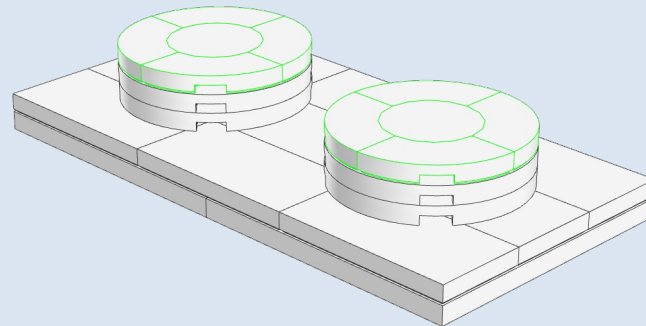
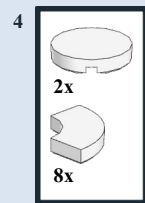
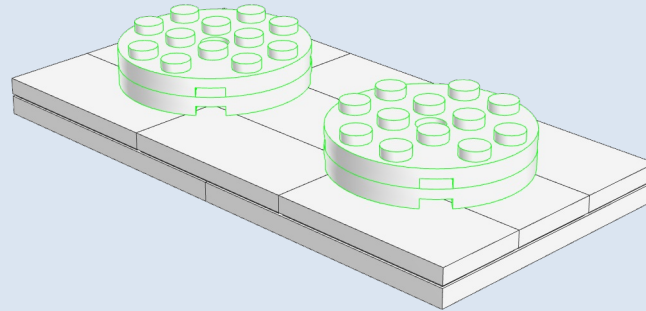
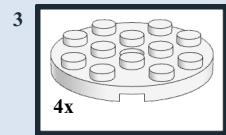
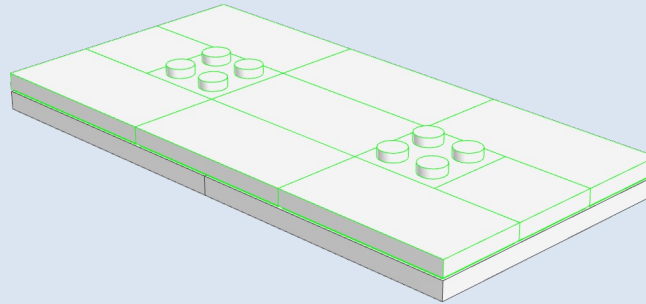
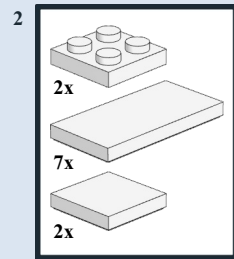
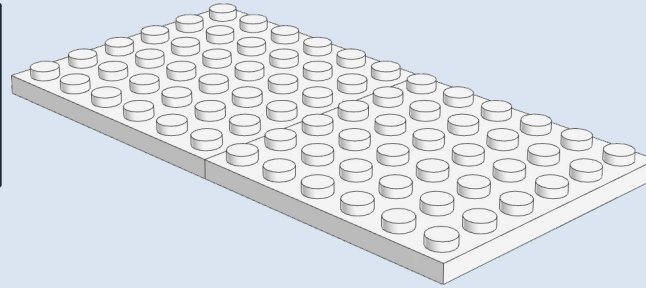
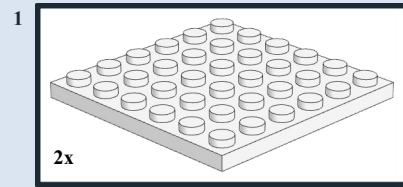


10

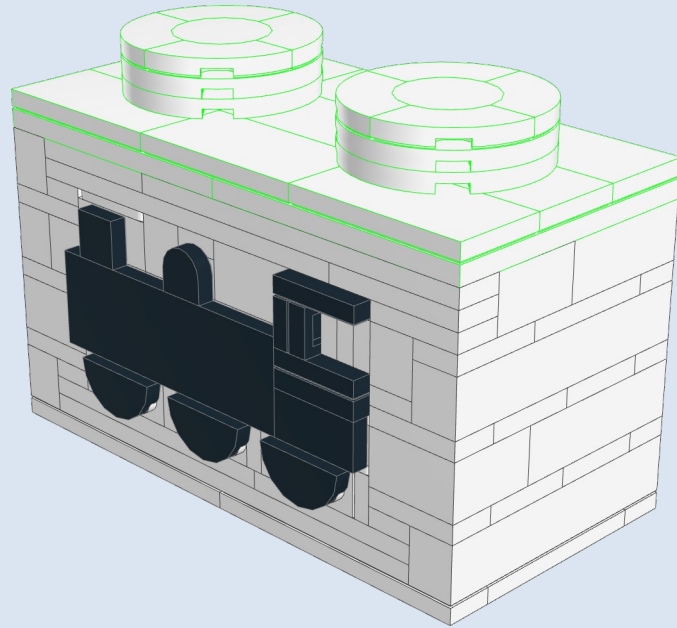


12





13



14

