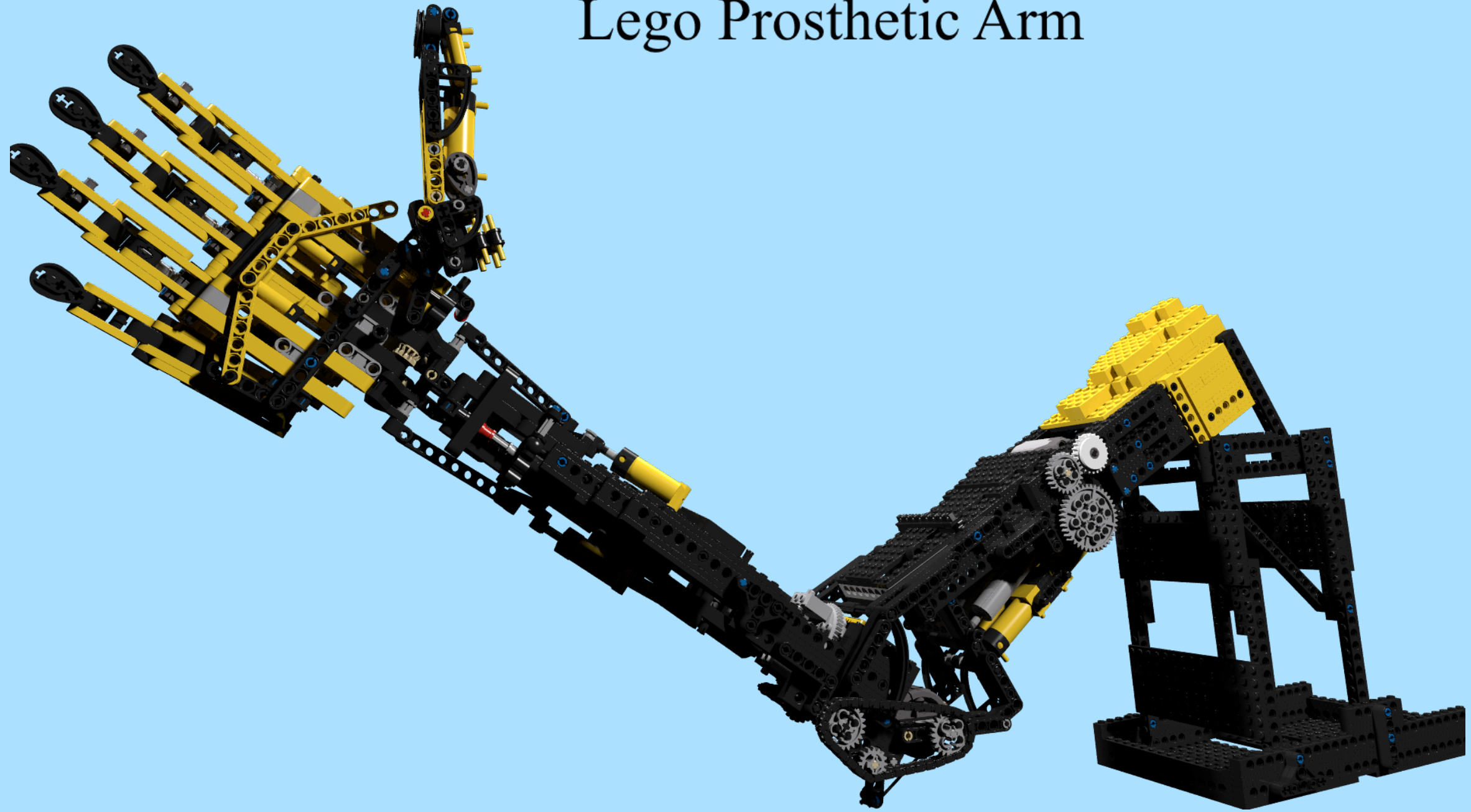
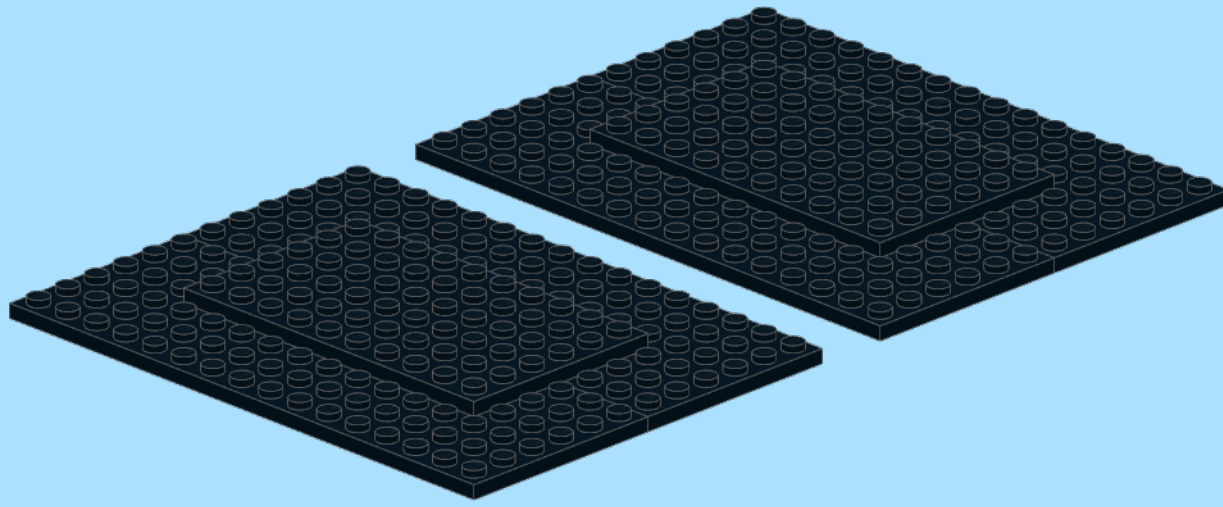
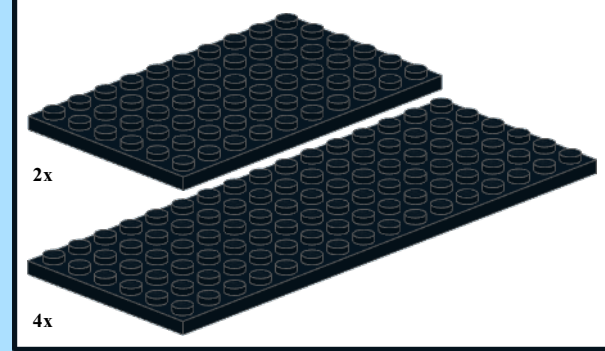


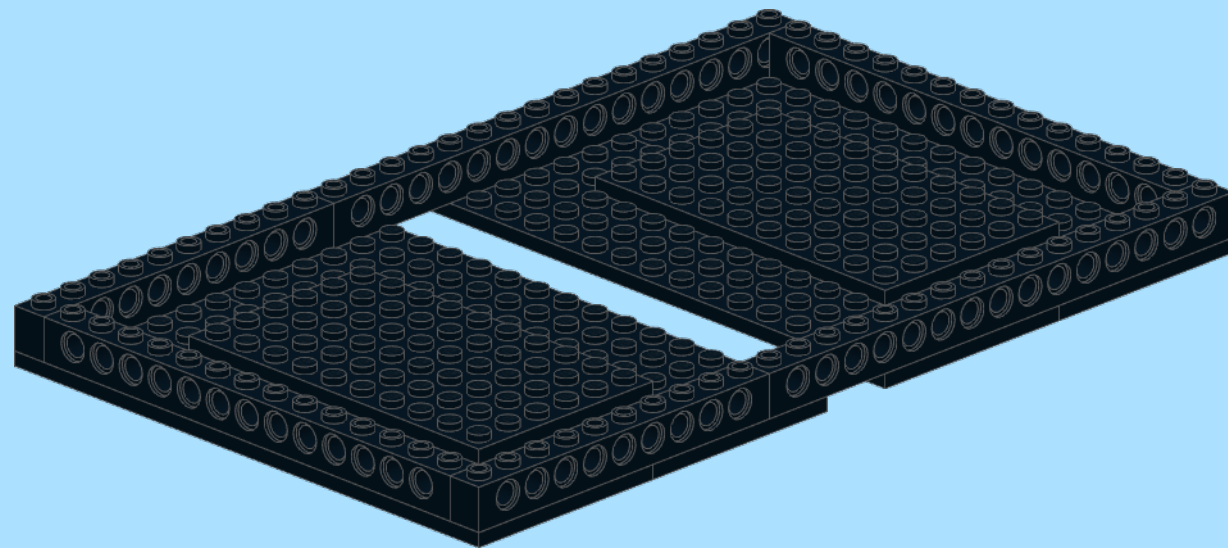
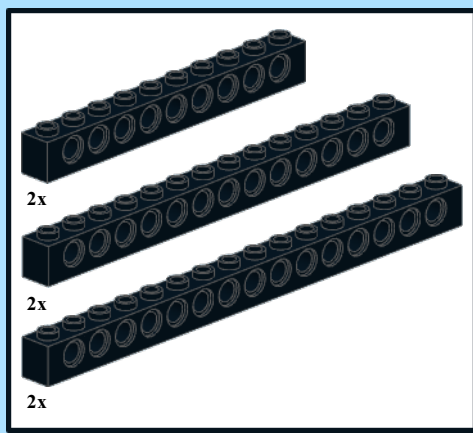
Lego Prosthetic Arm

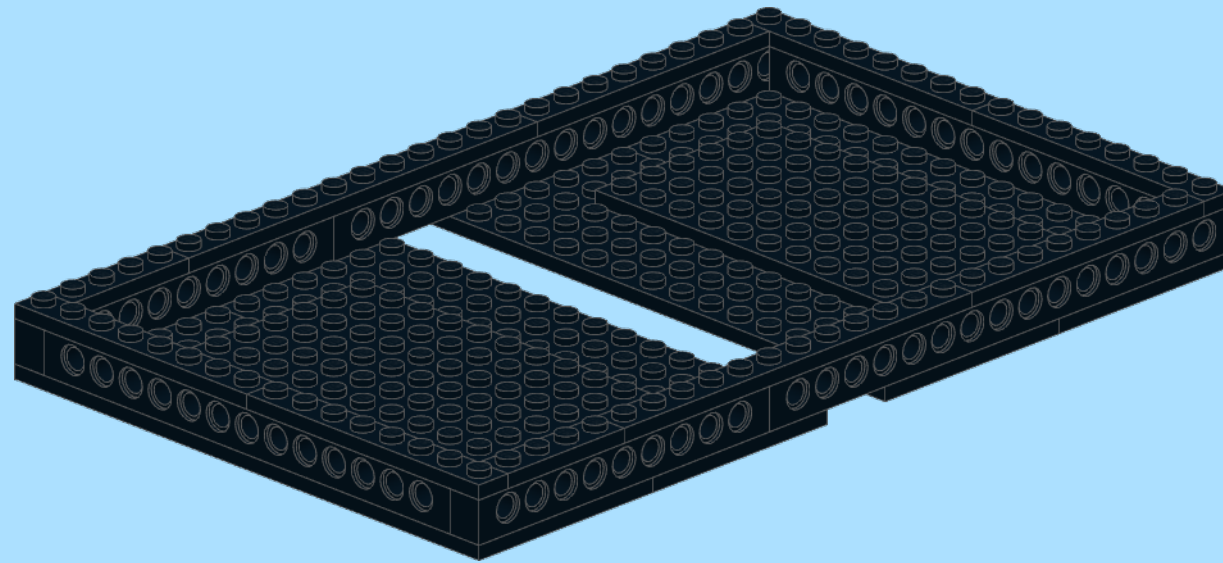
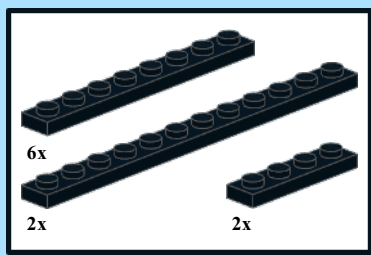


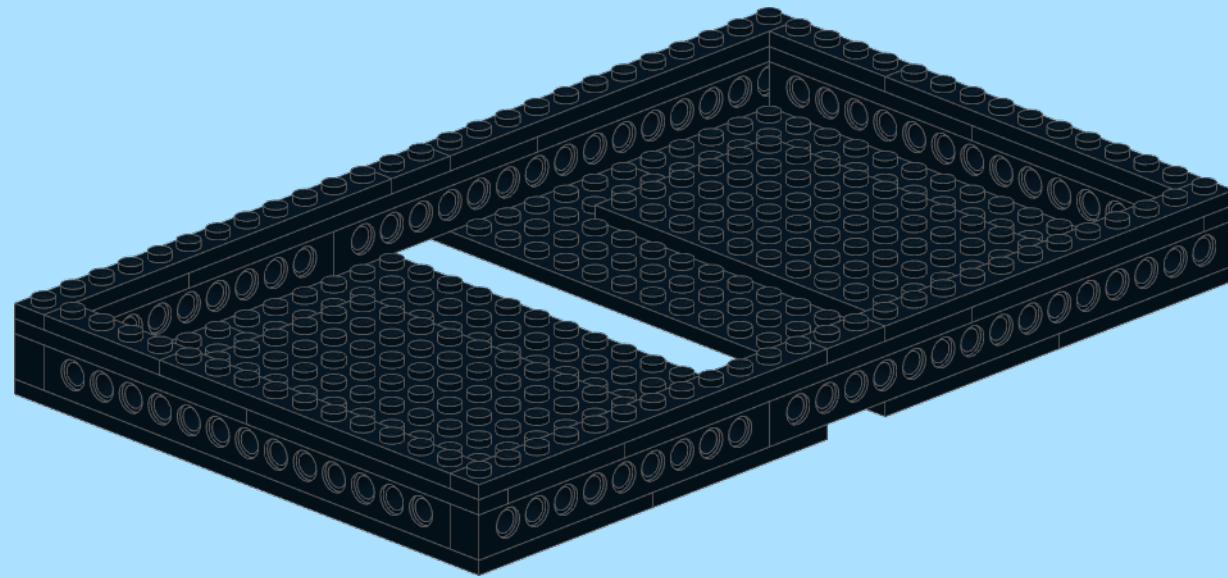
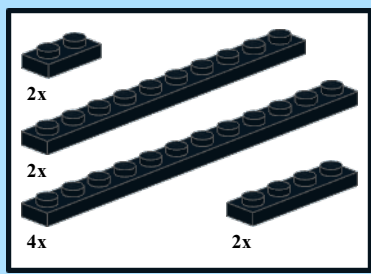
Designed by
Max Shepherd

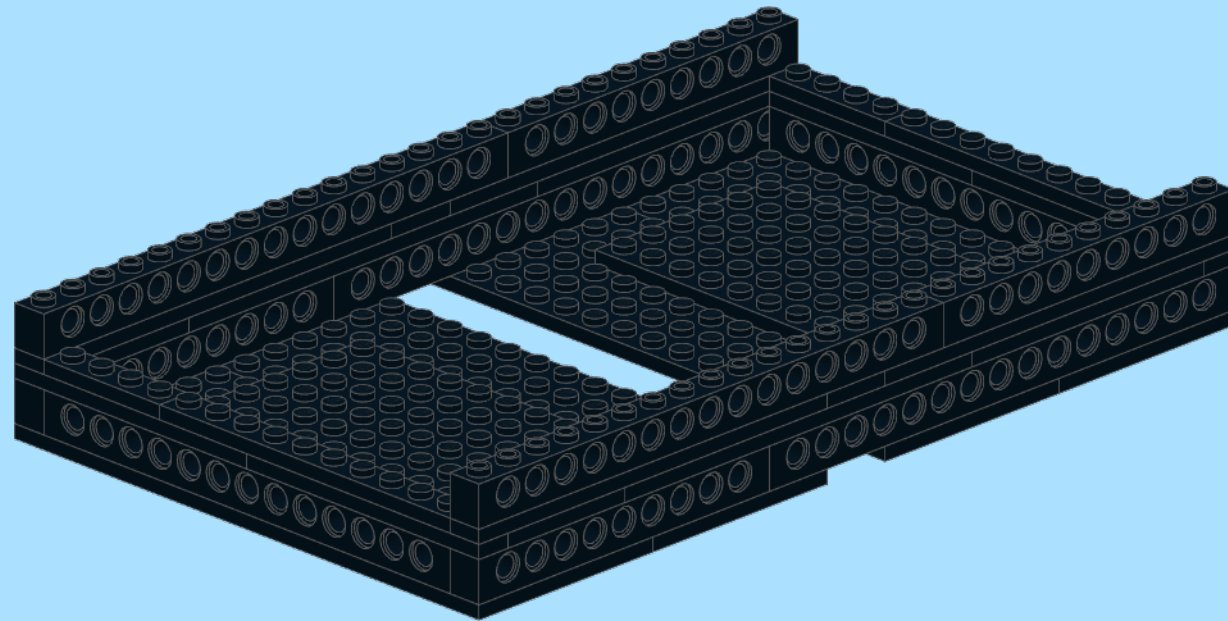
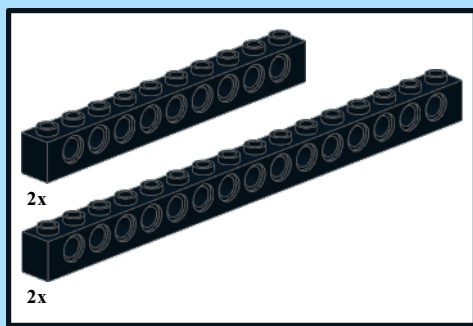
INSTRUCTION BY
KNUD ALBRECHTSEN
www.snakebyte.dk/lego

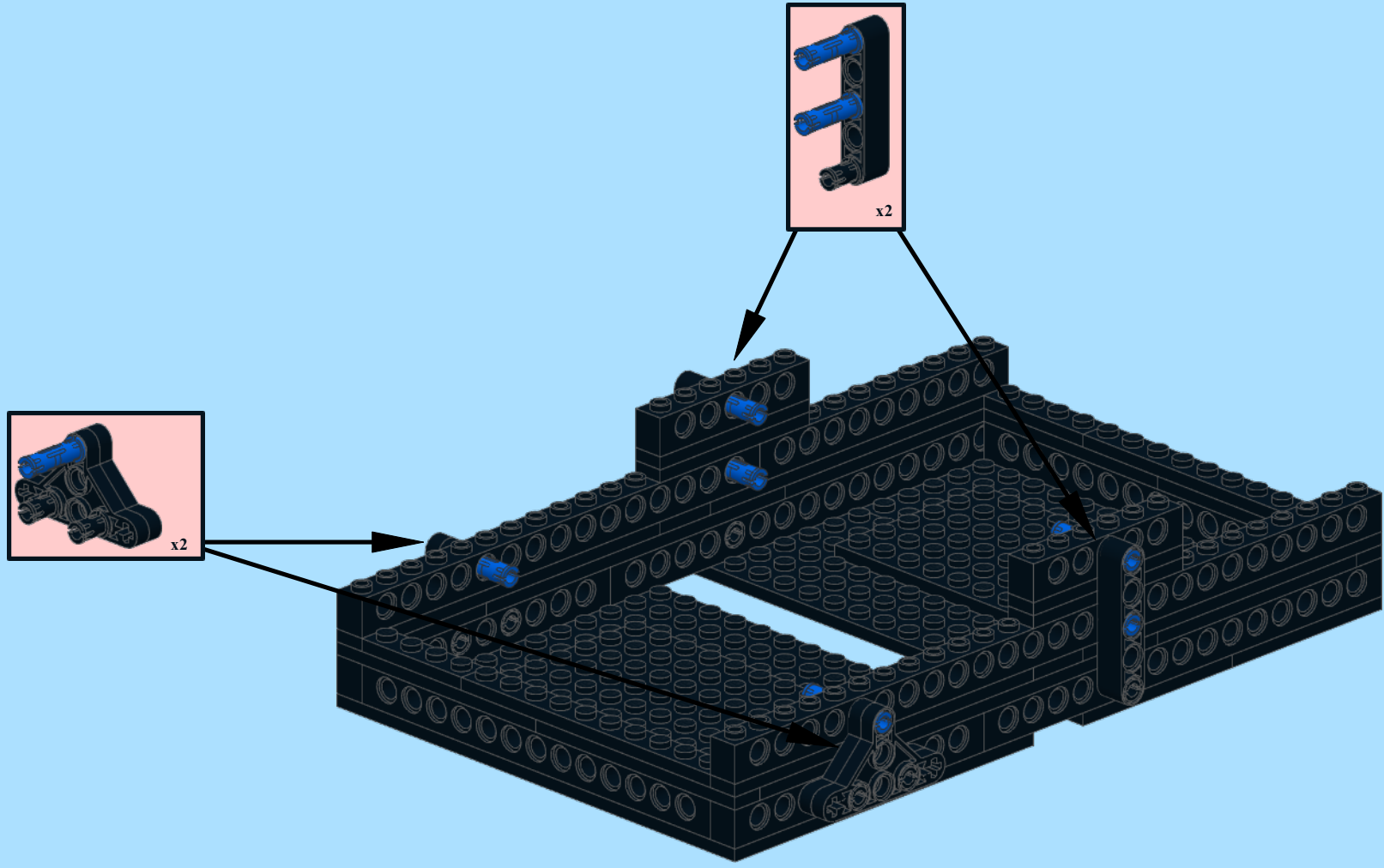
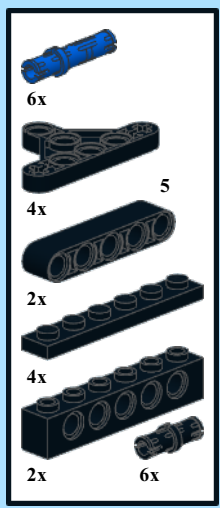


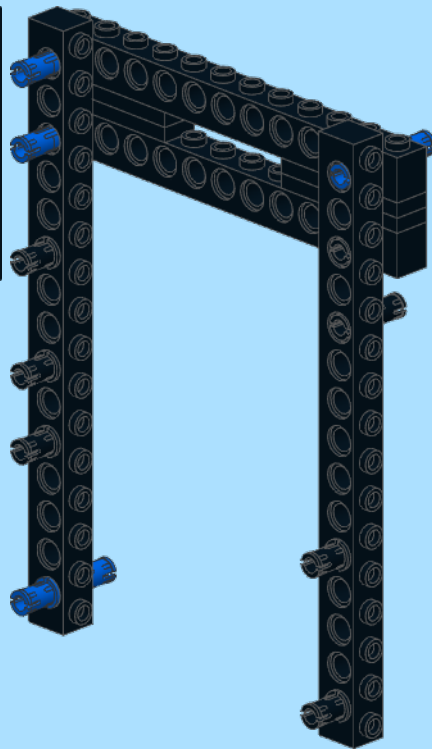
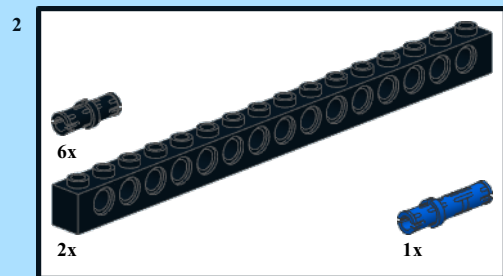
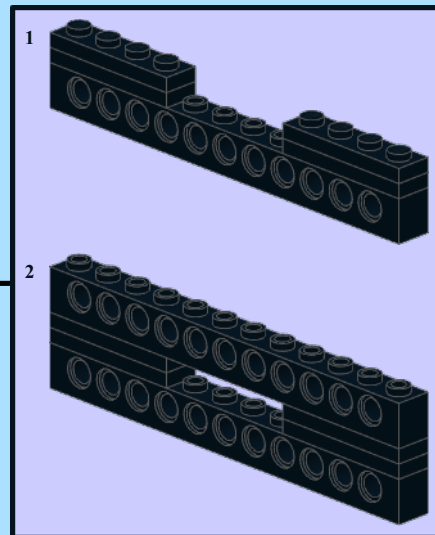
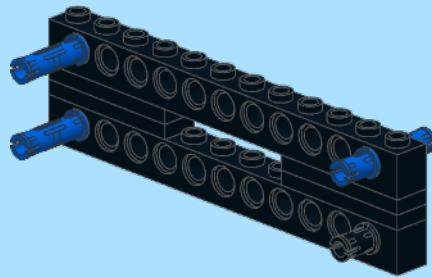
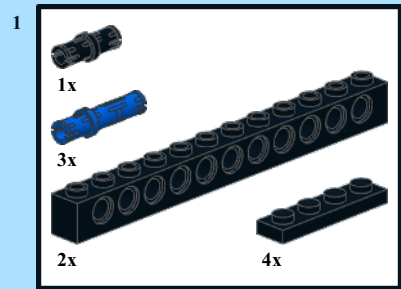




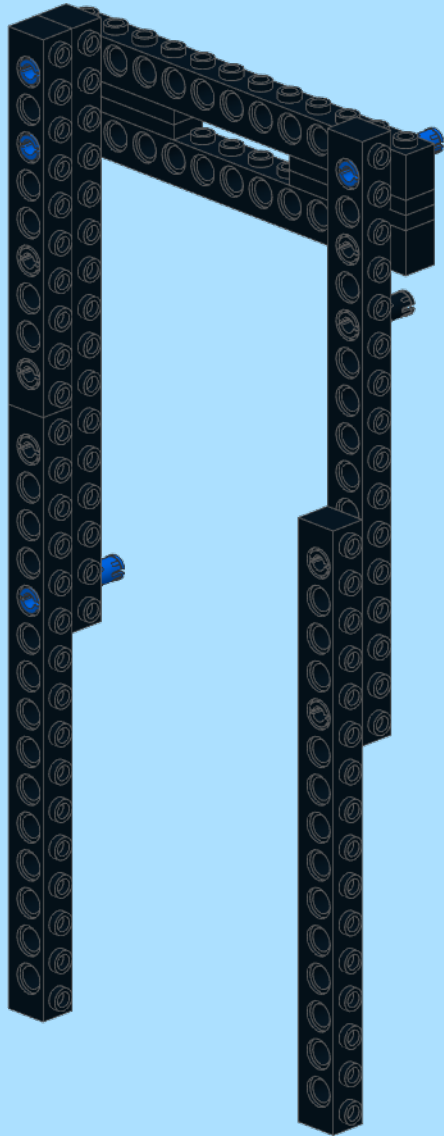
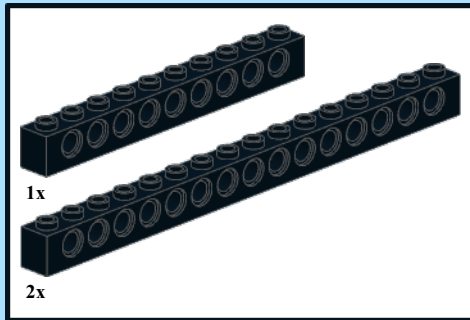




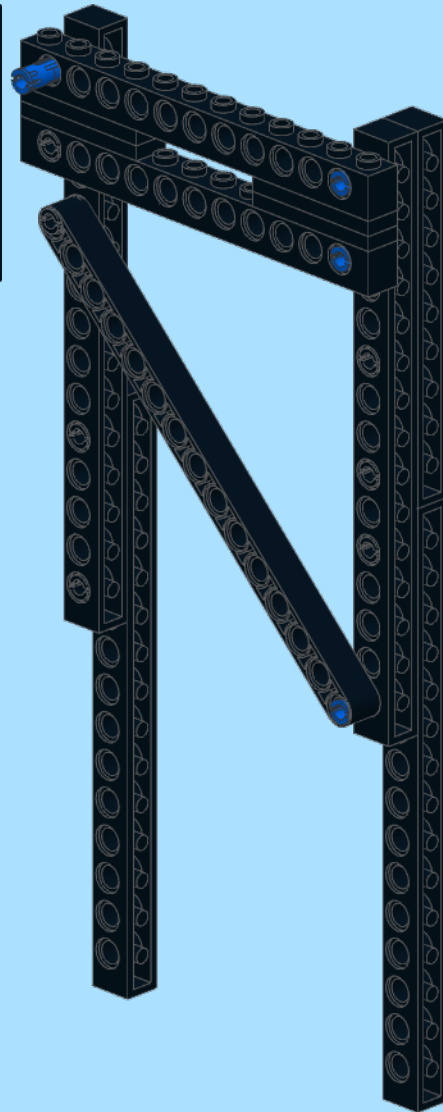
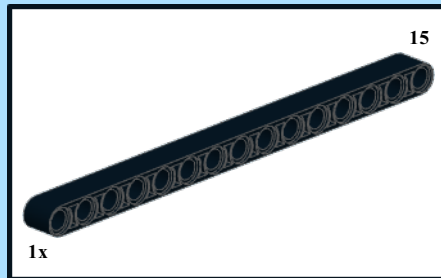


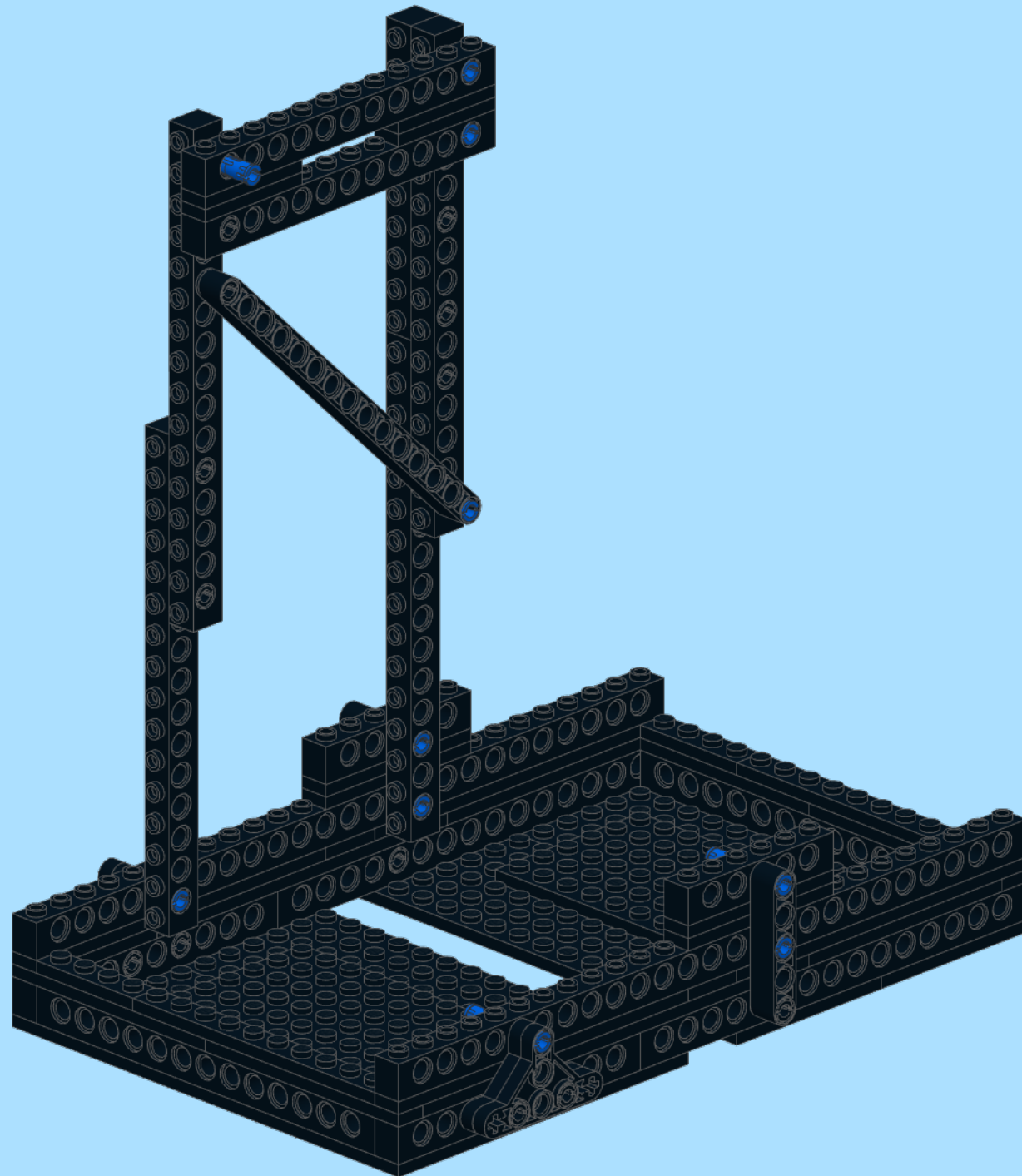


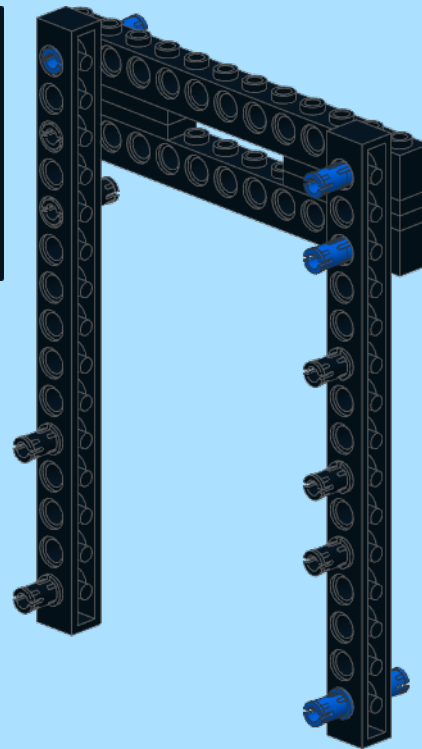
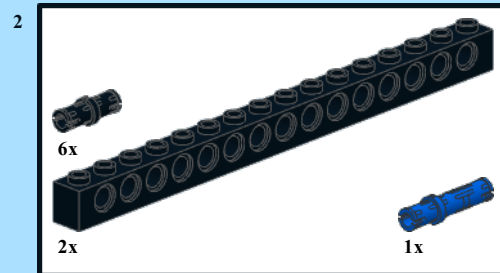
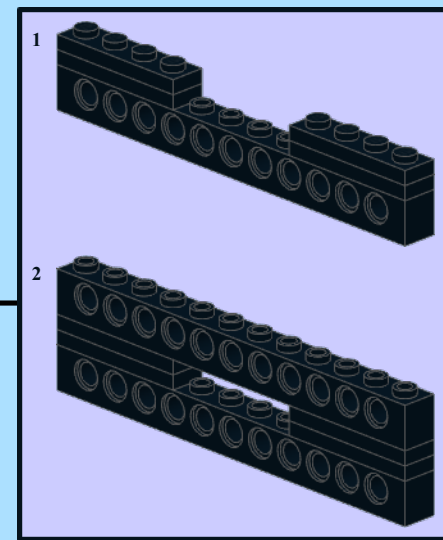
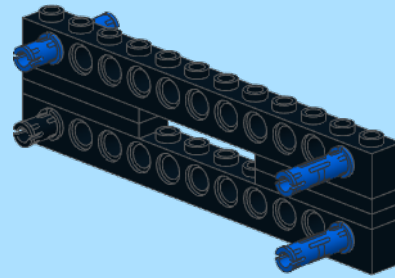
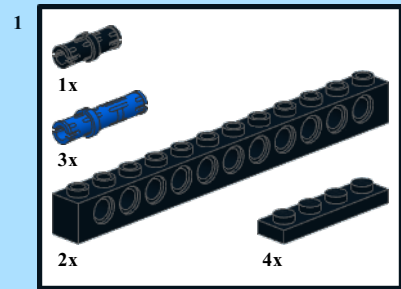
3



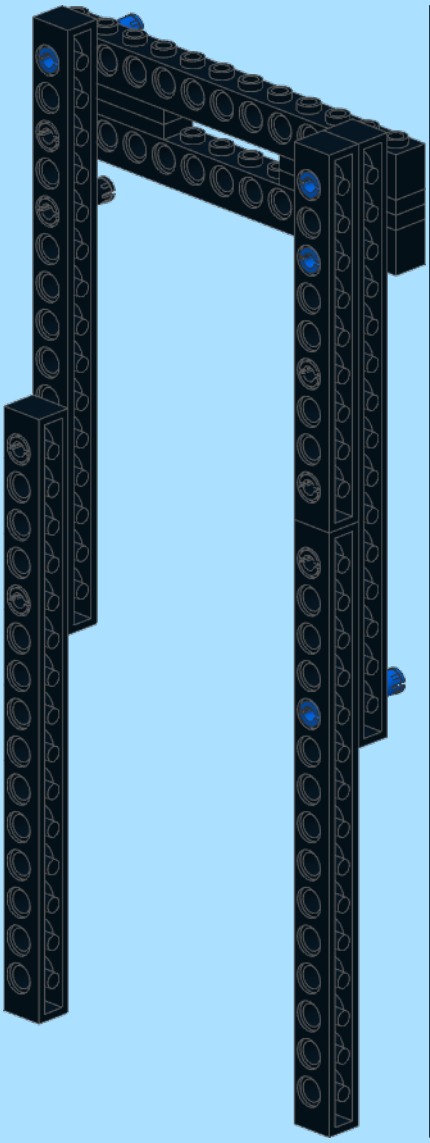
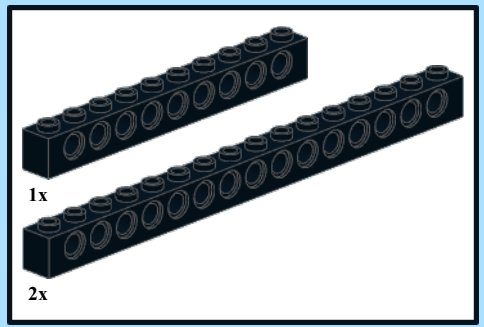
4



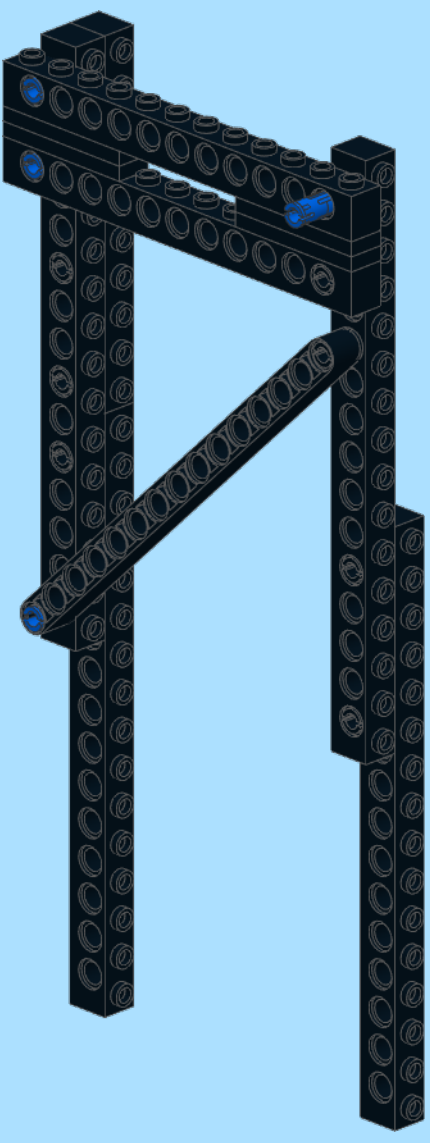
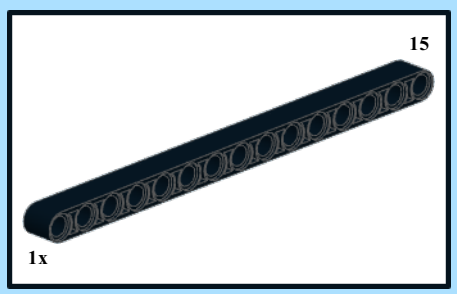


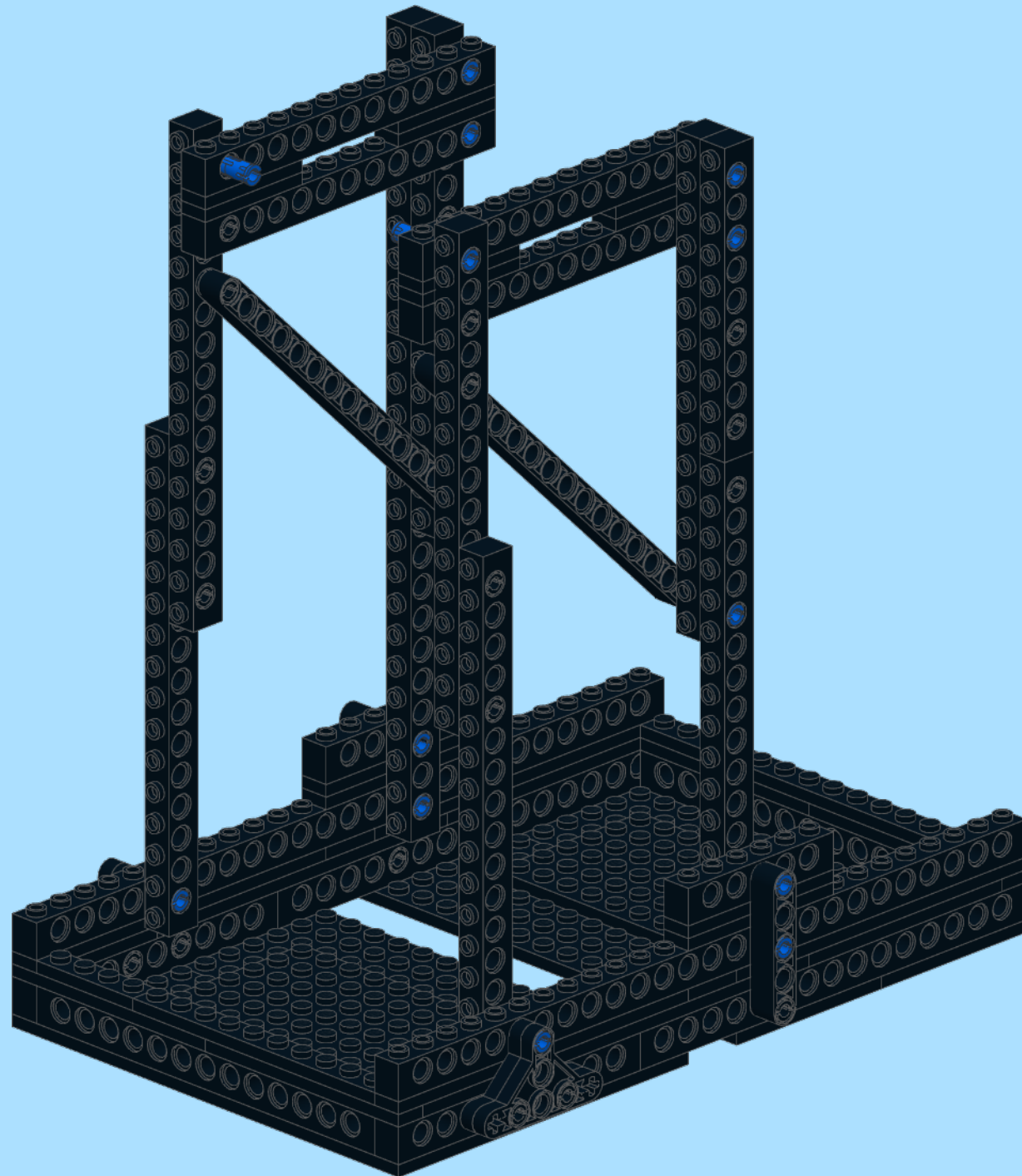


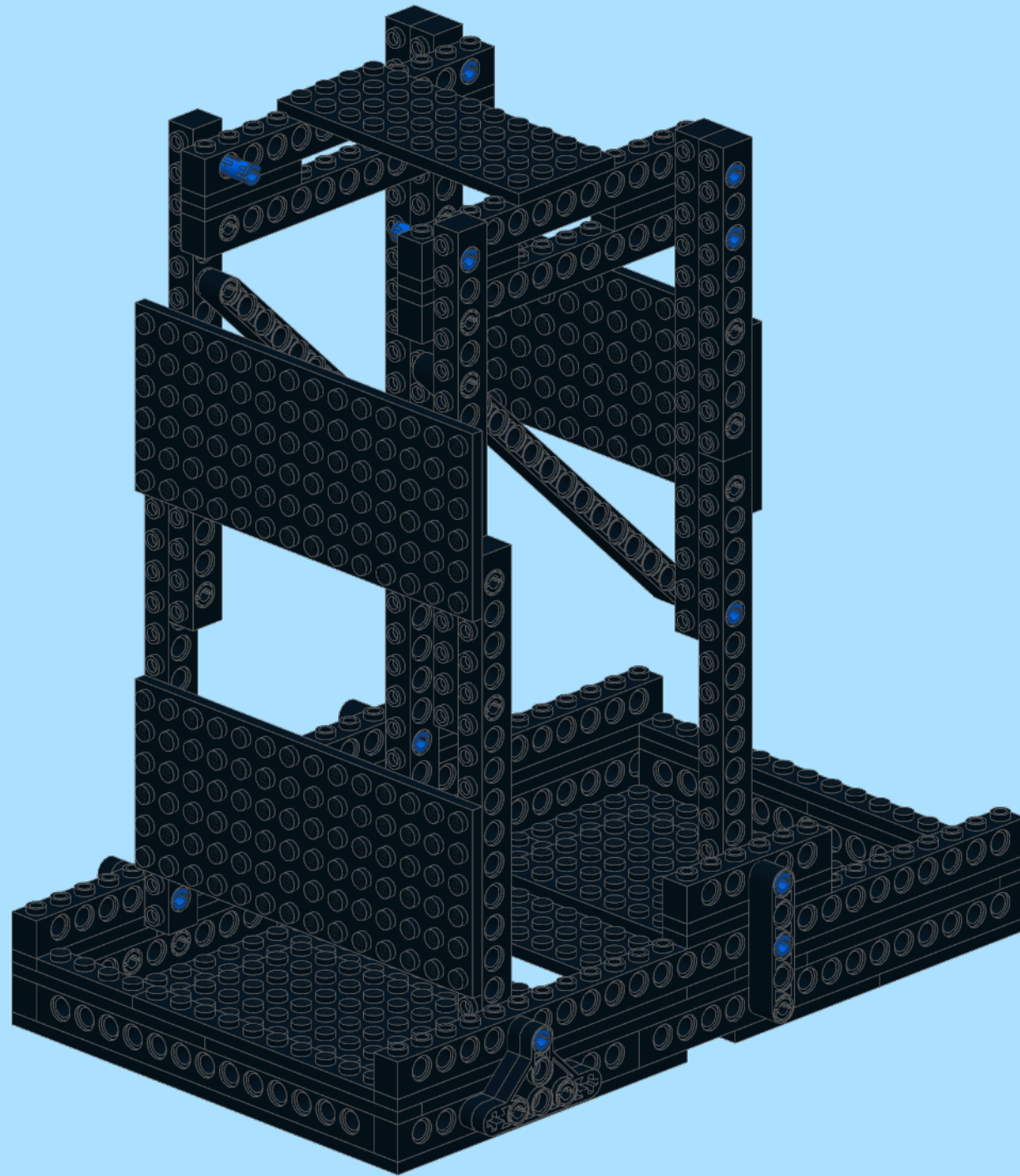
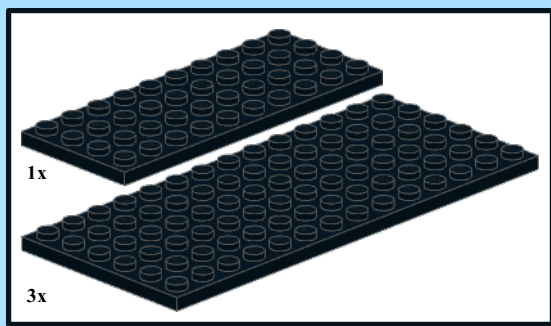
3

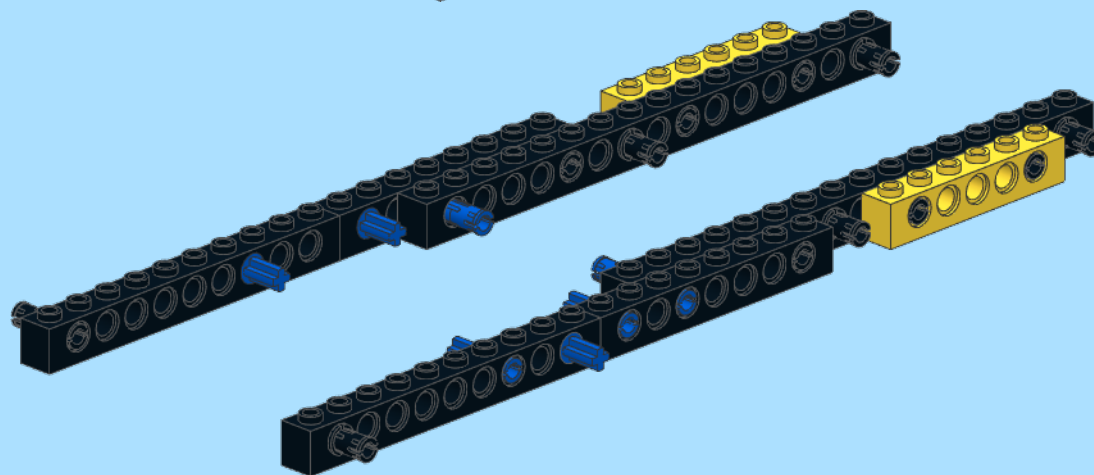
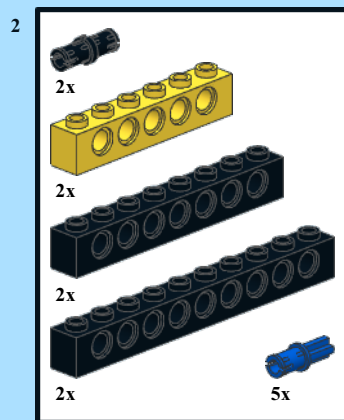
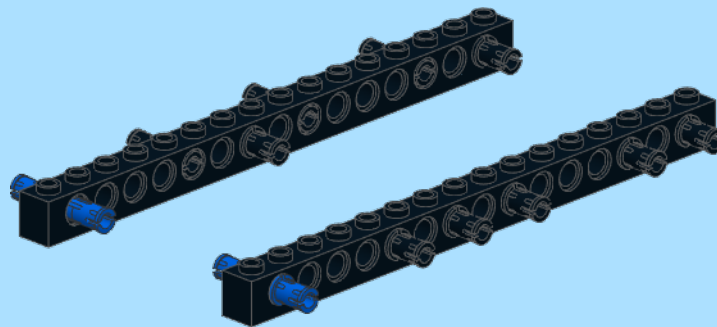
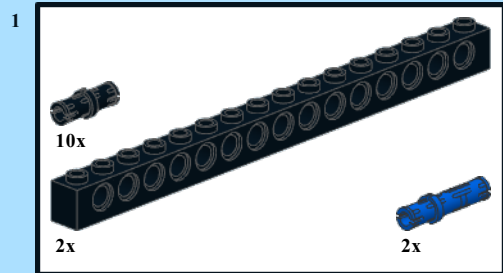


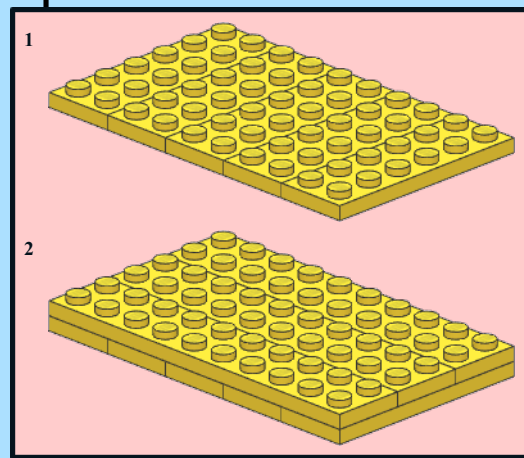
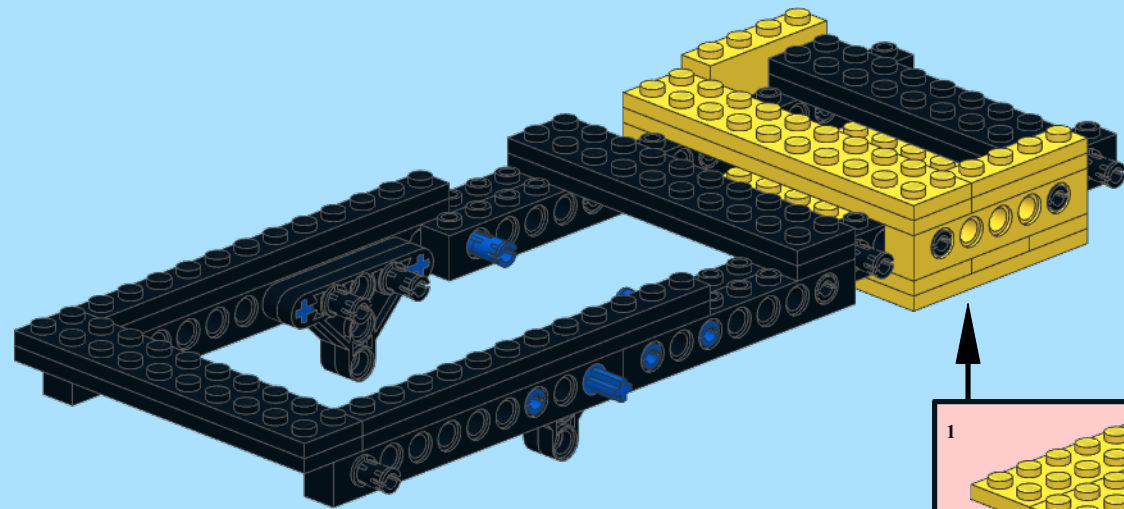
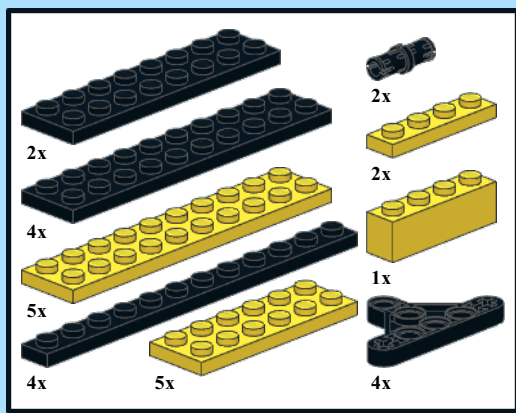
4

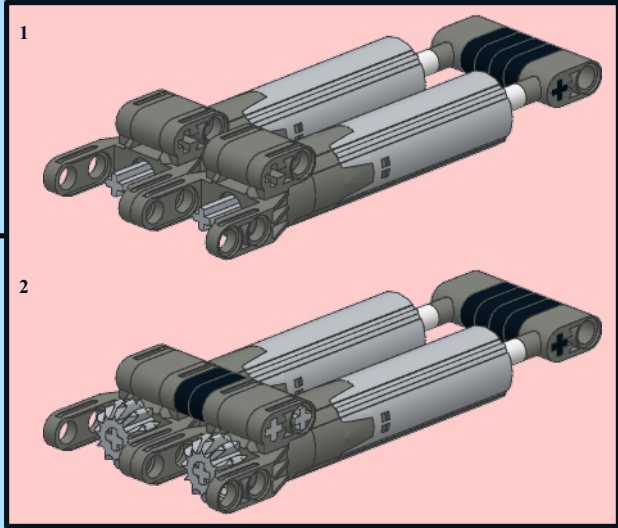
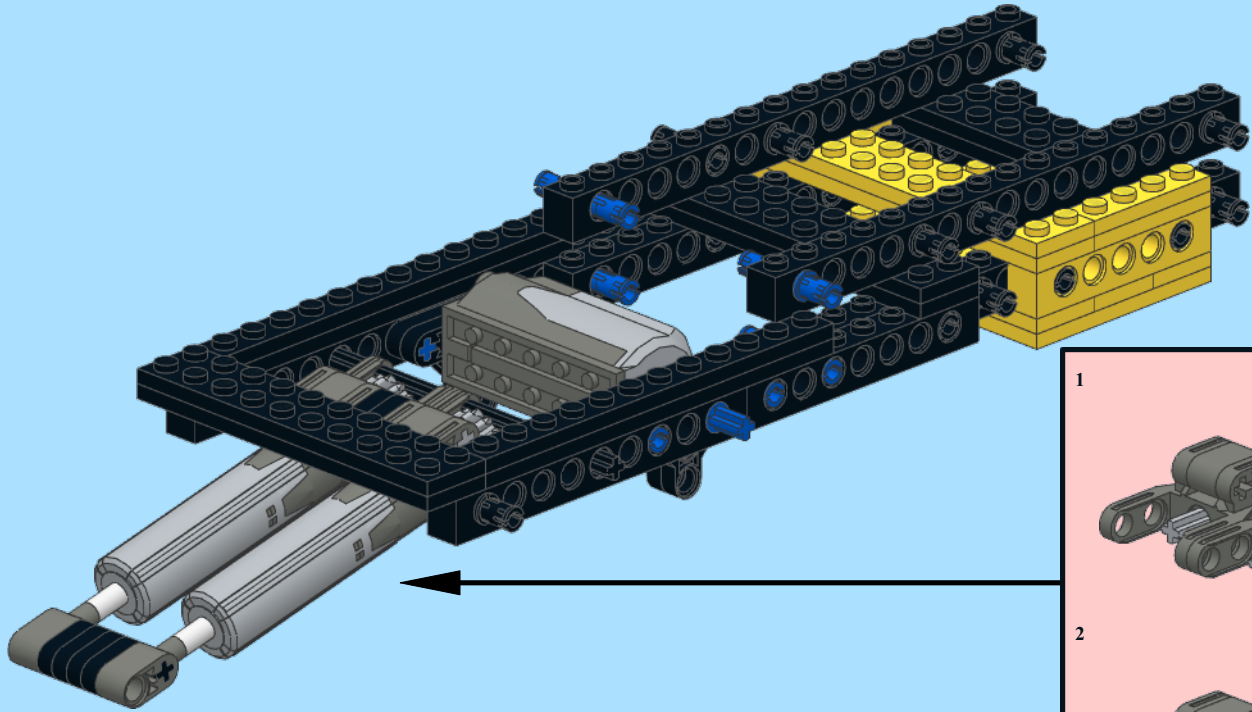
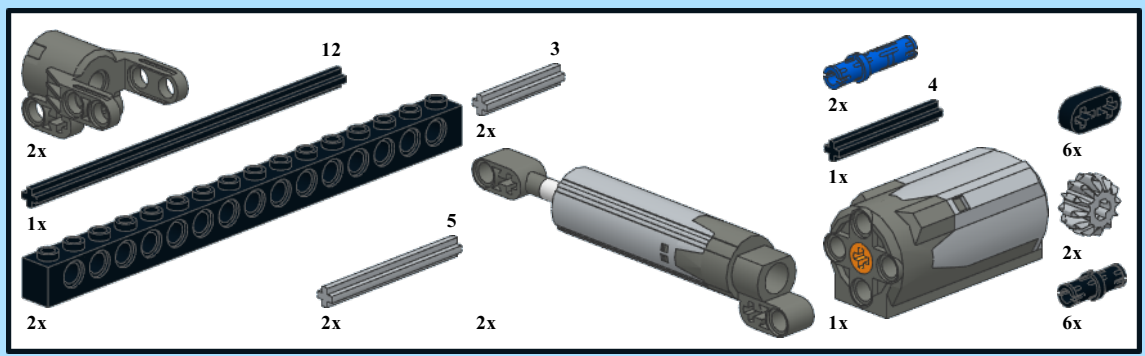


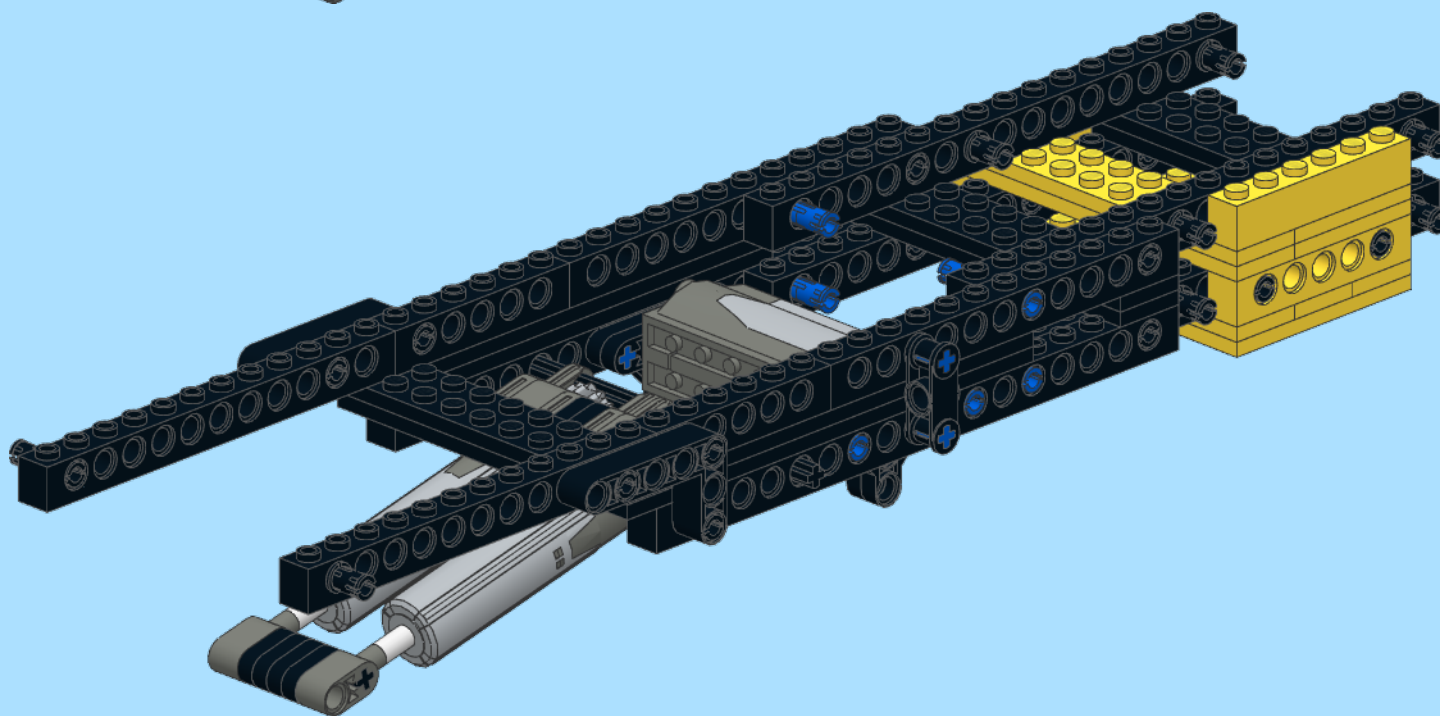
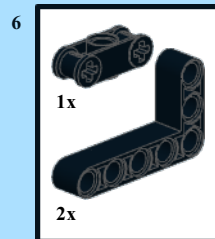
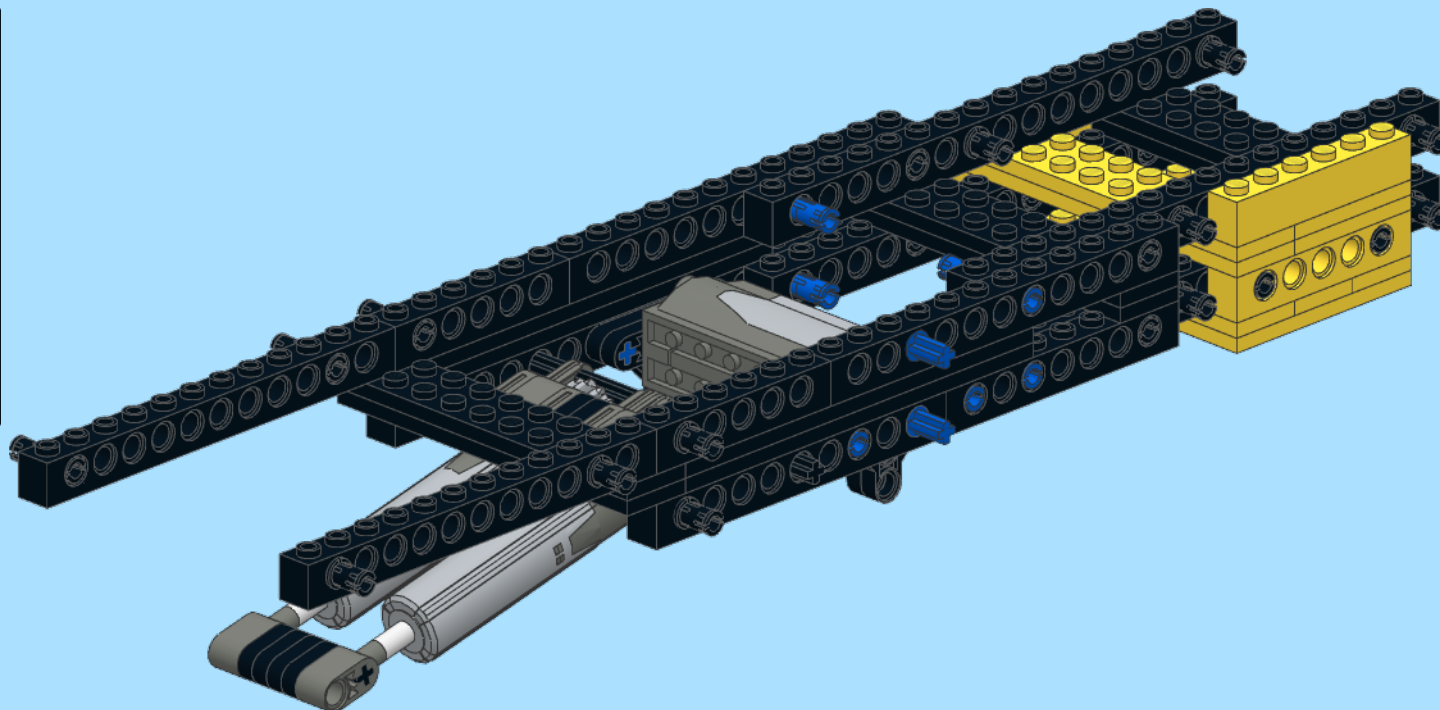
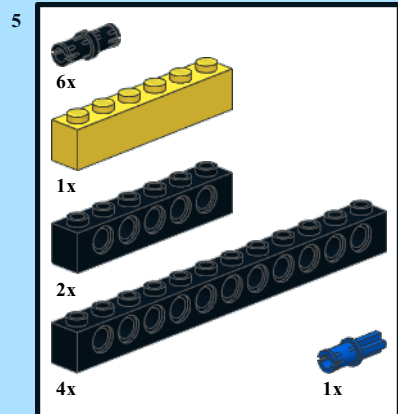




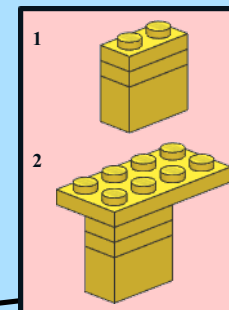
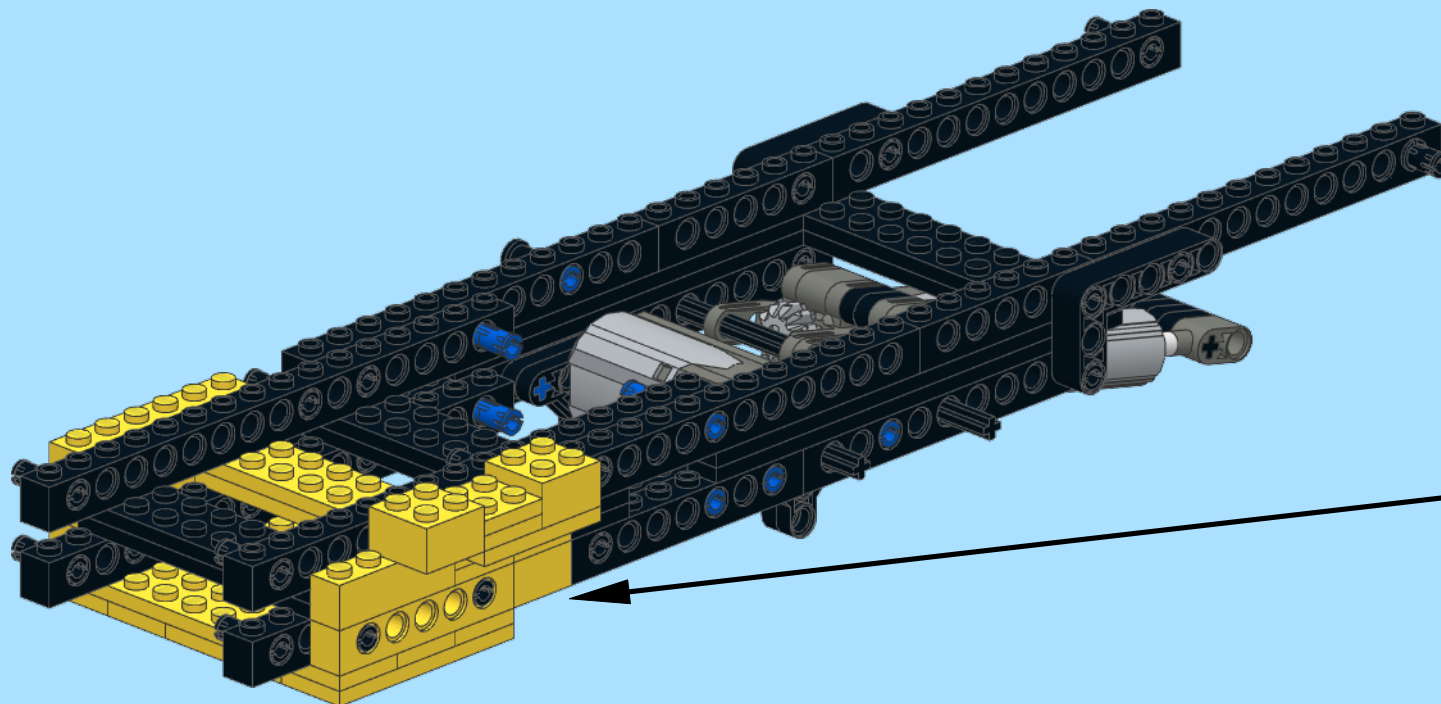
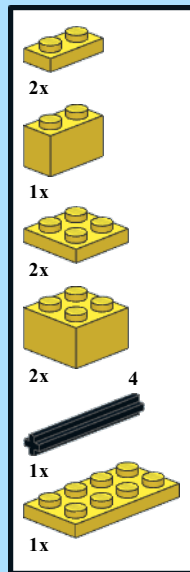




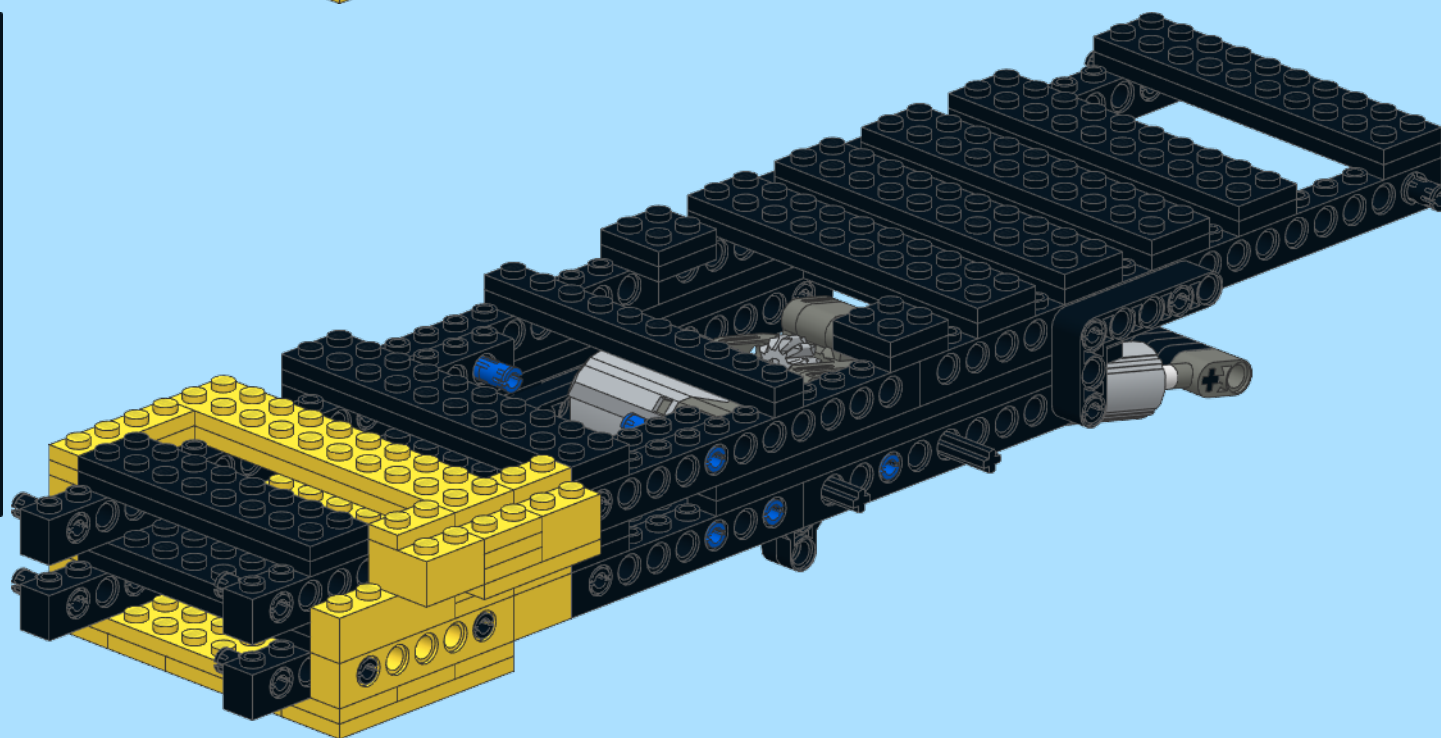
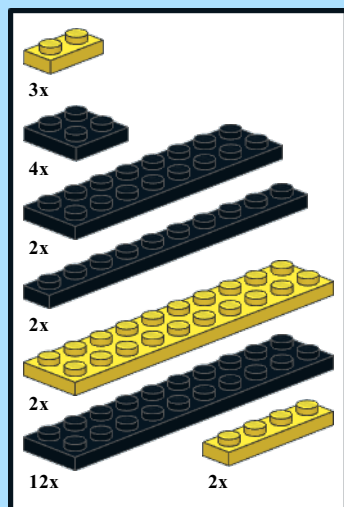




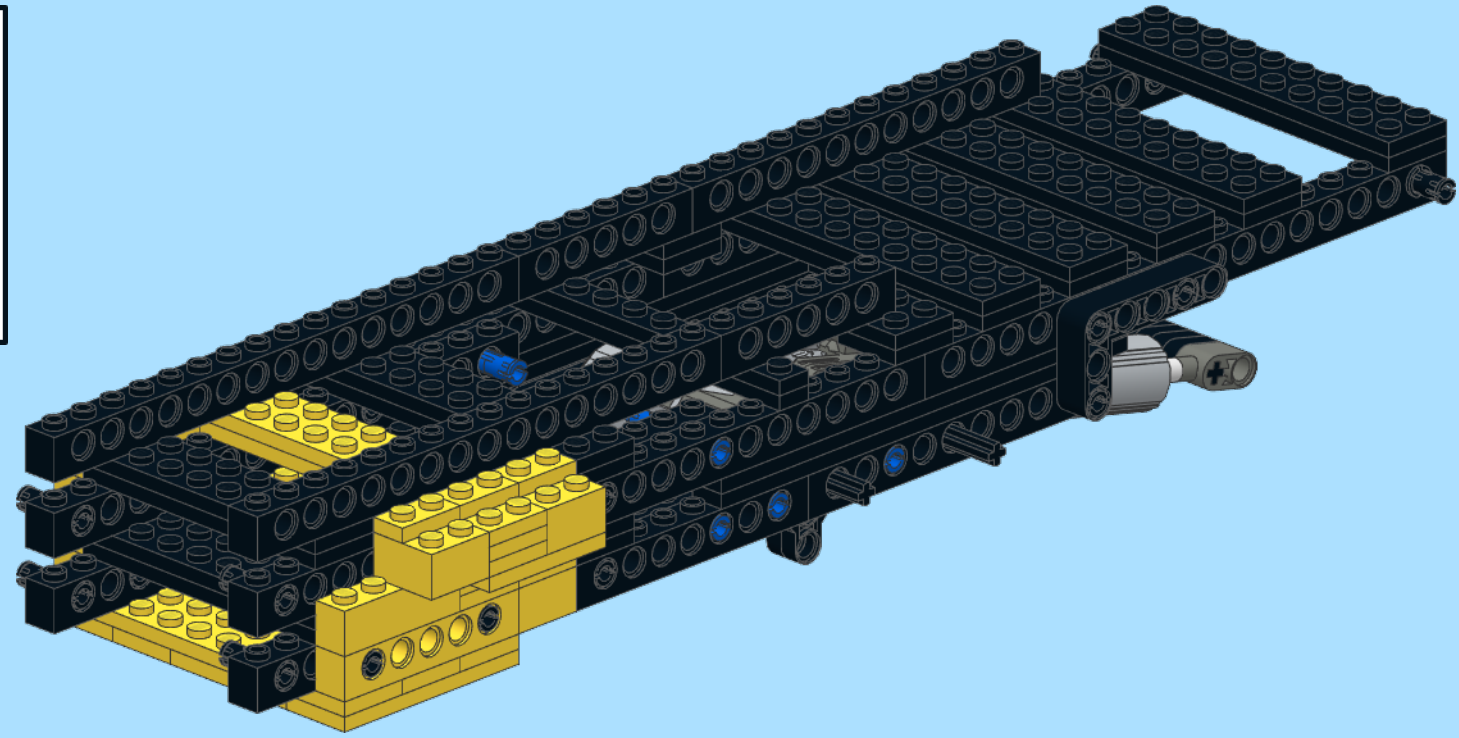
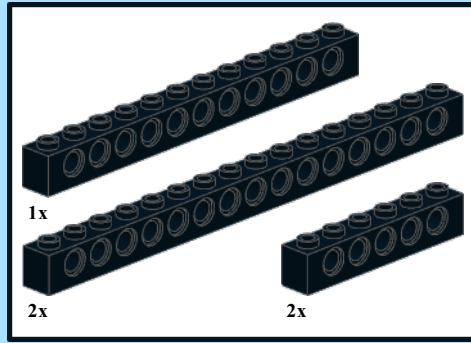
7



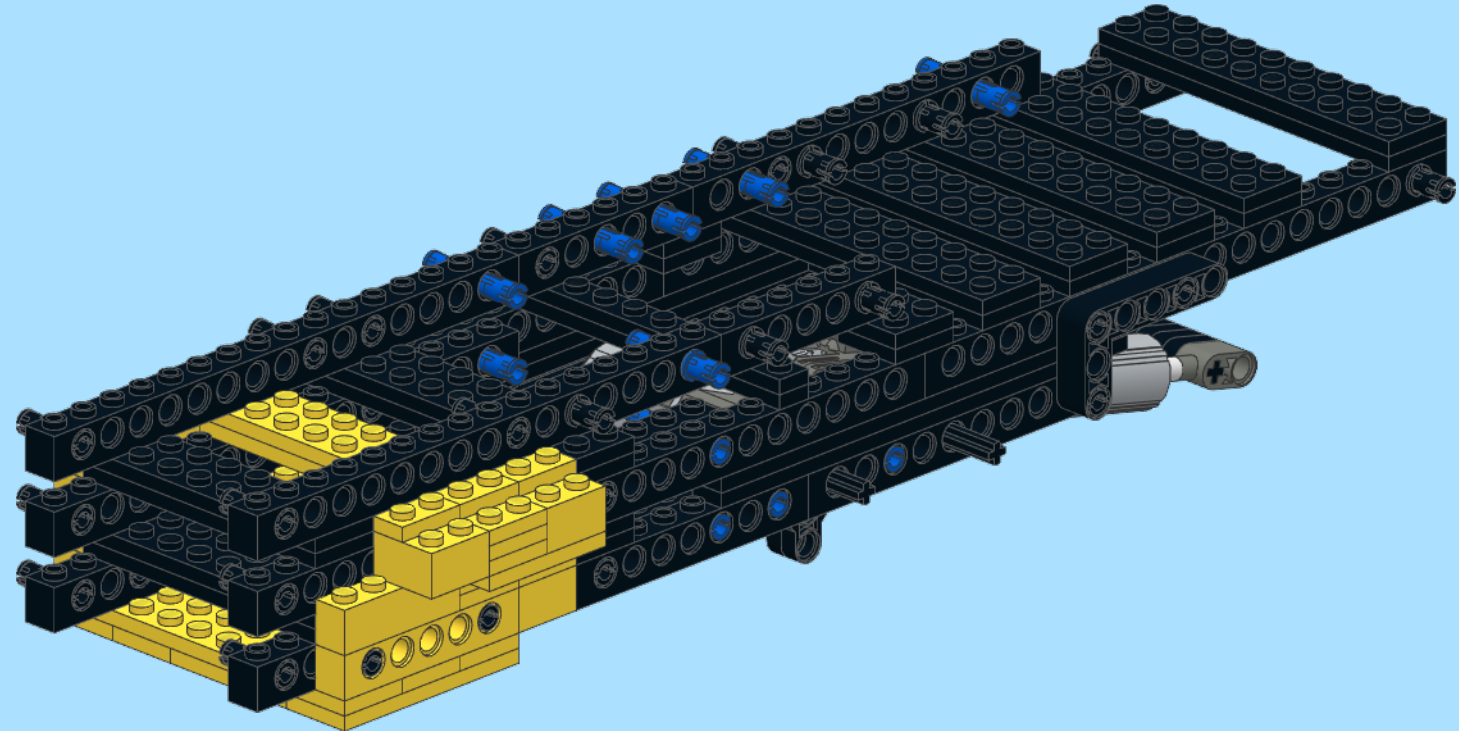
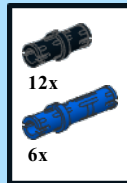
8

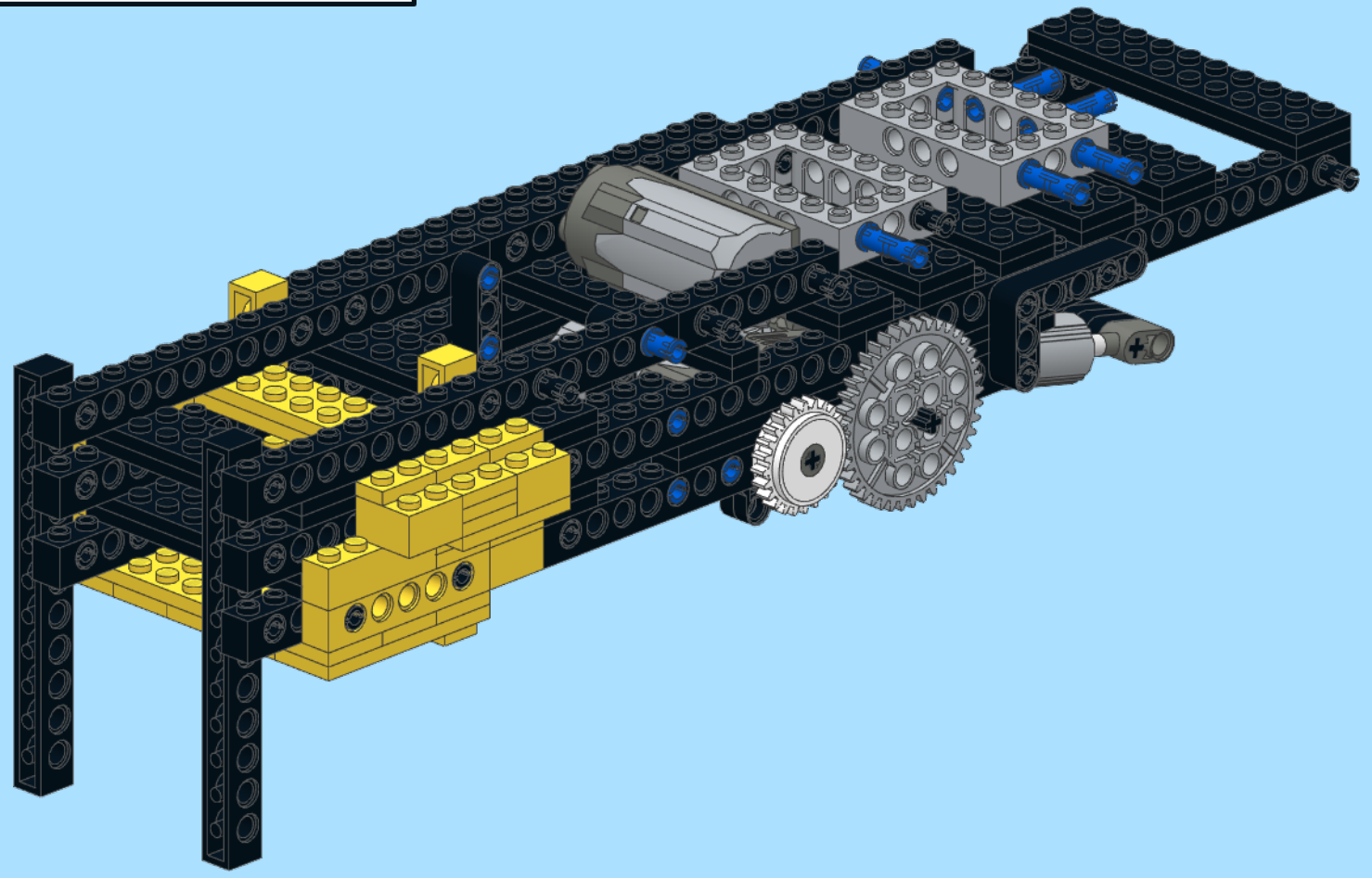
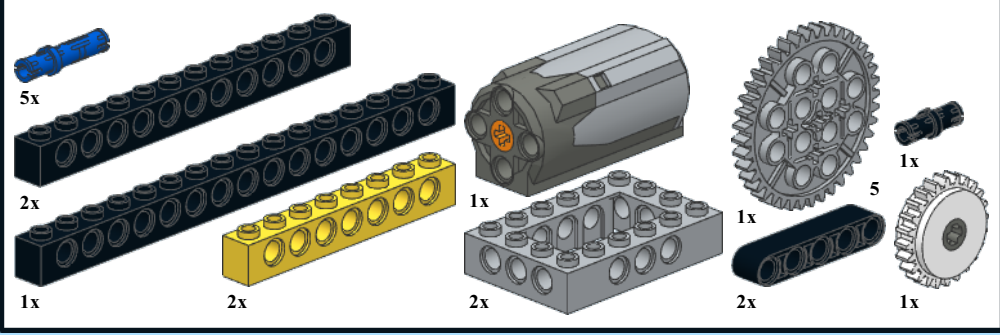


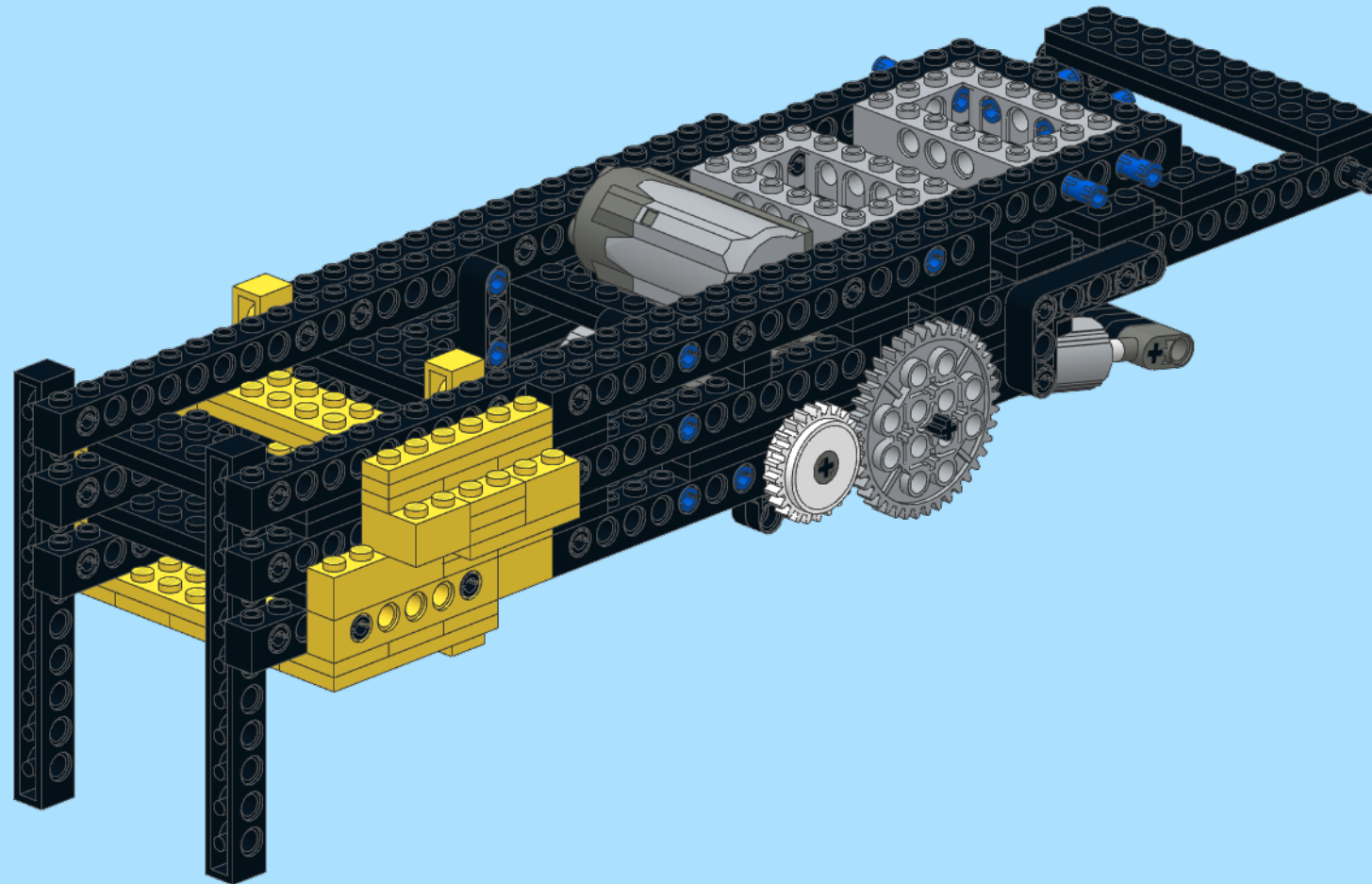
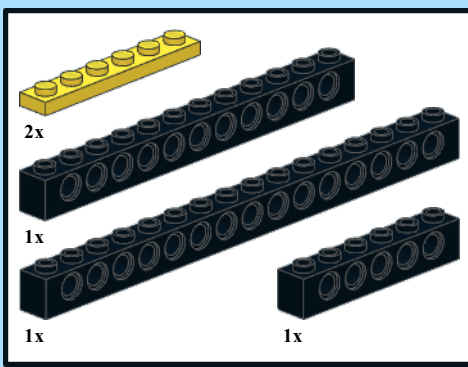
9

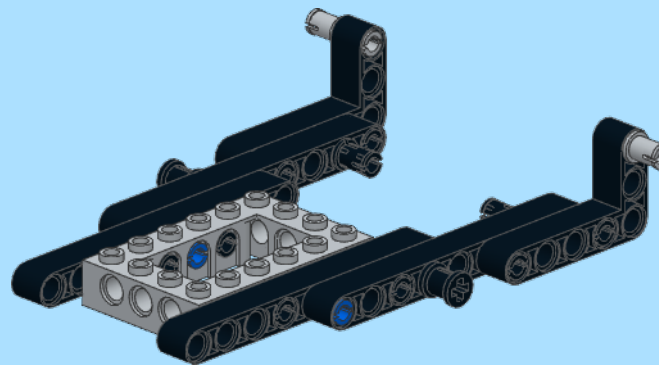
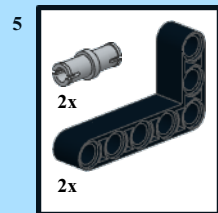
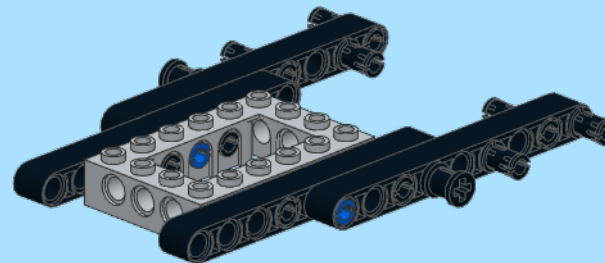
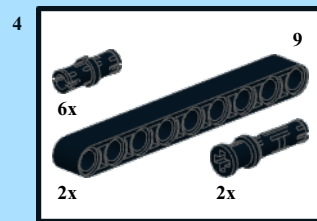
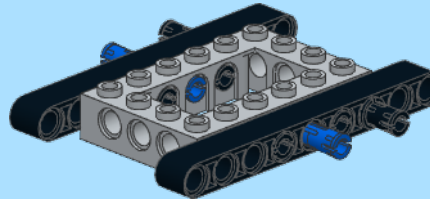
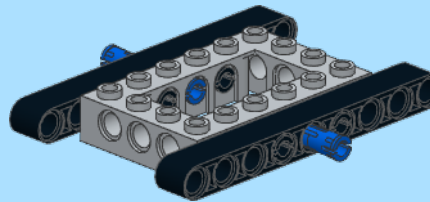
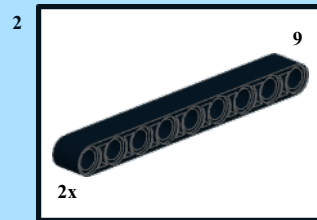
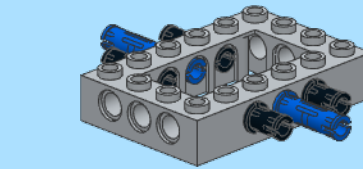
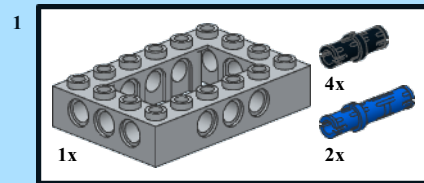


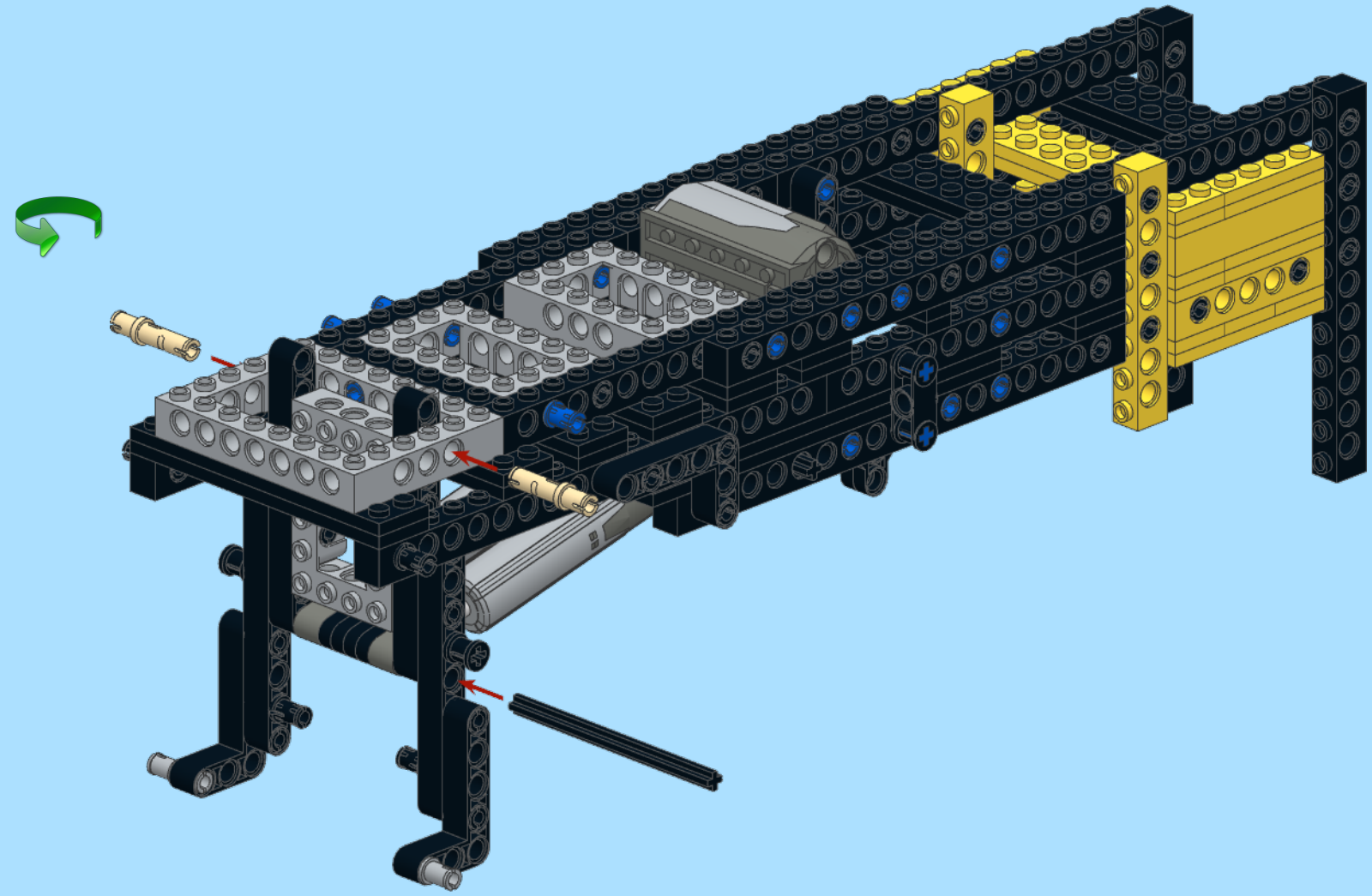
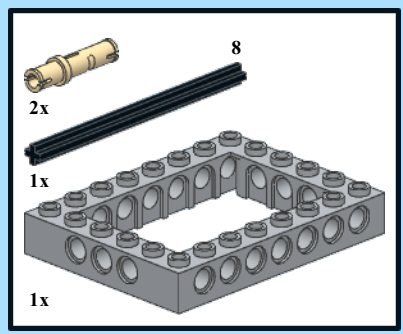
10

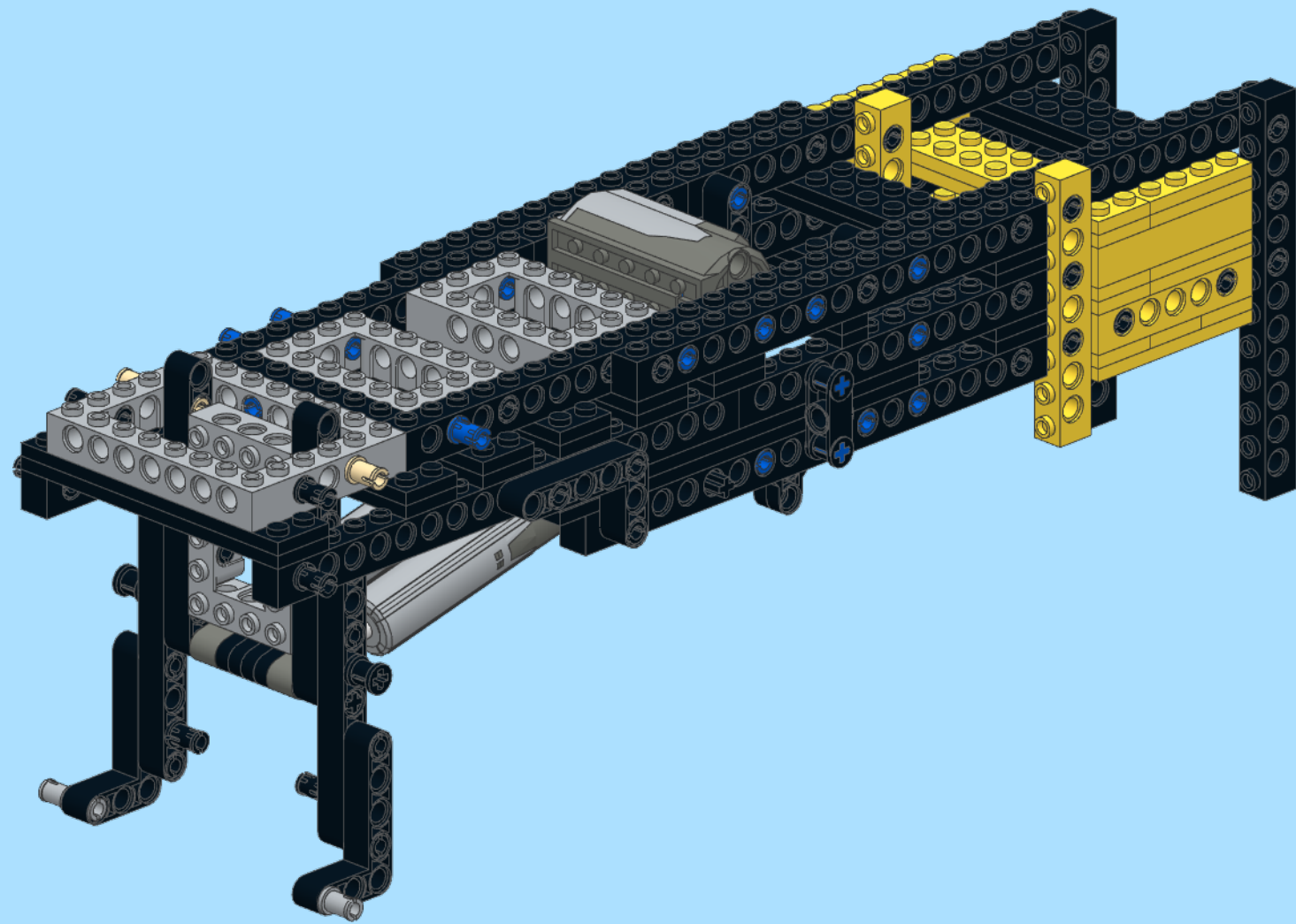


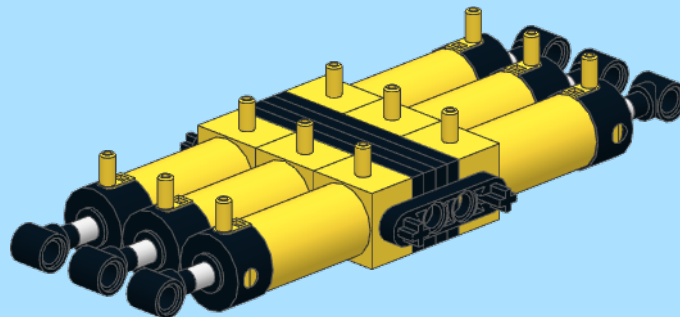
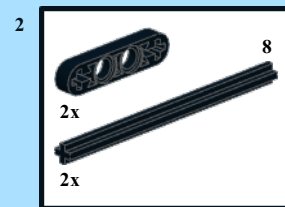
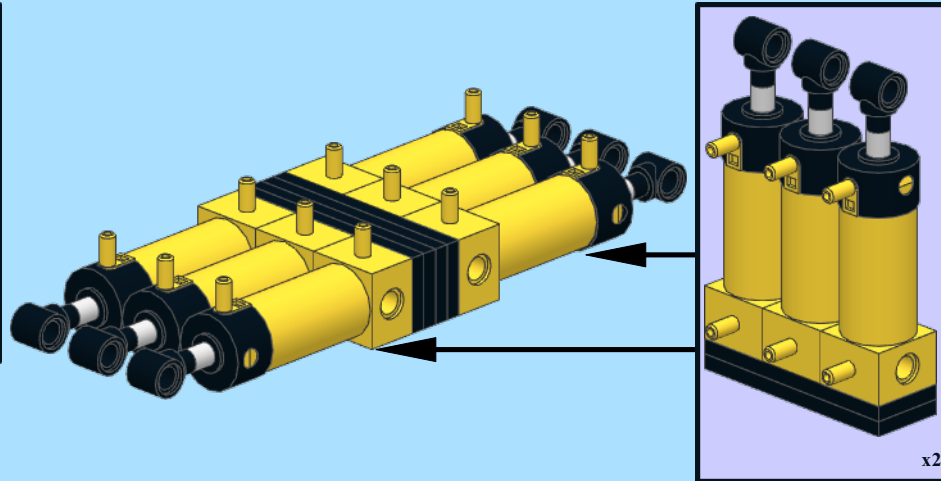
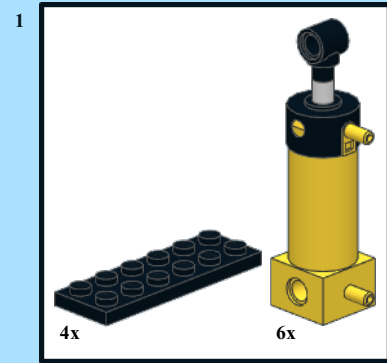


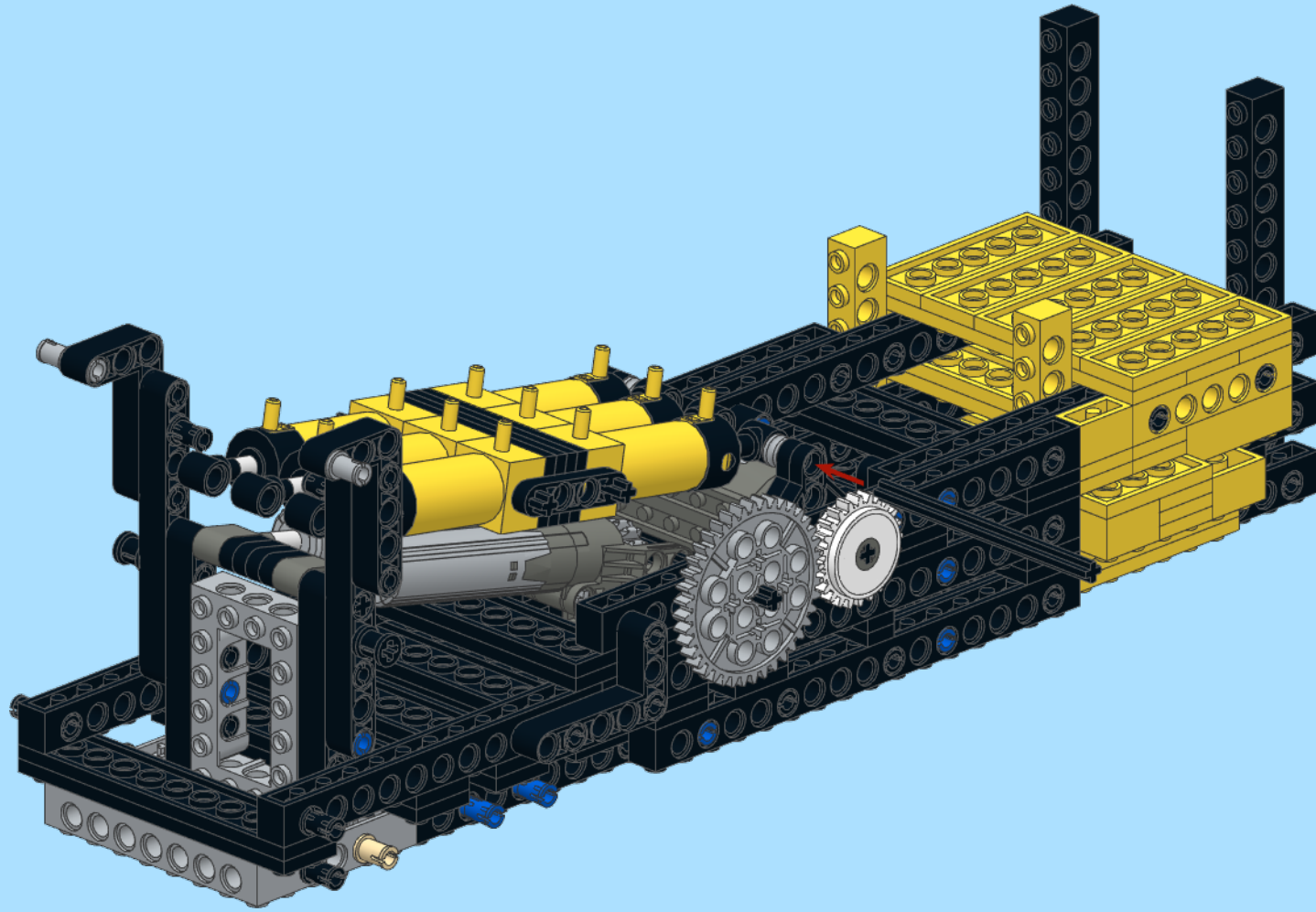
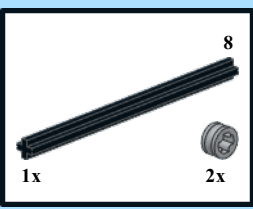


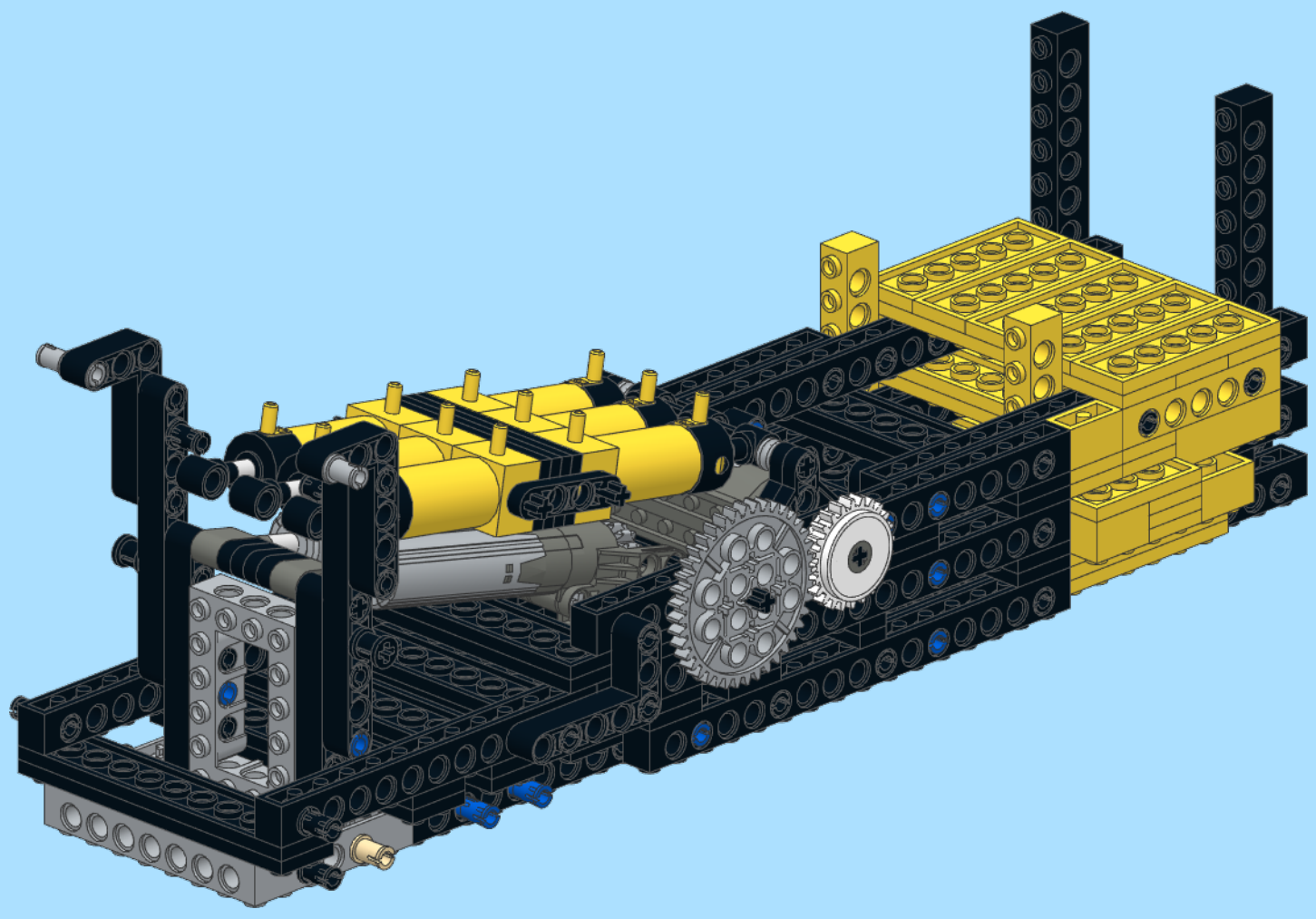


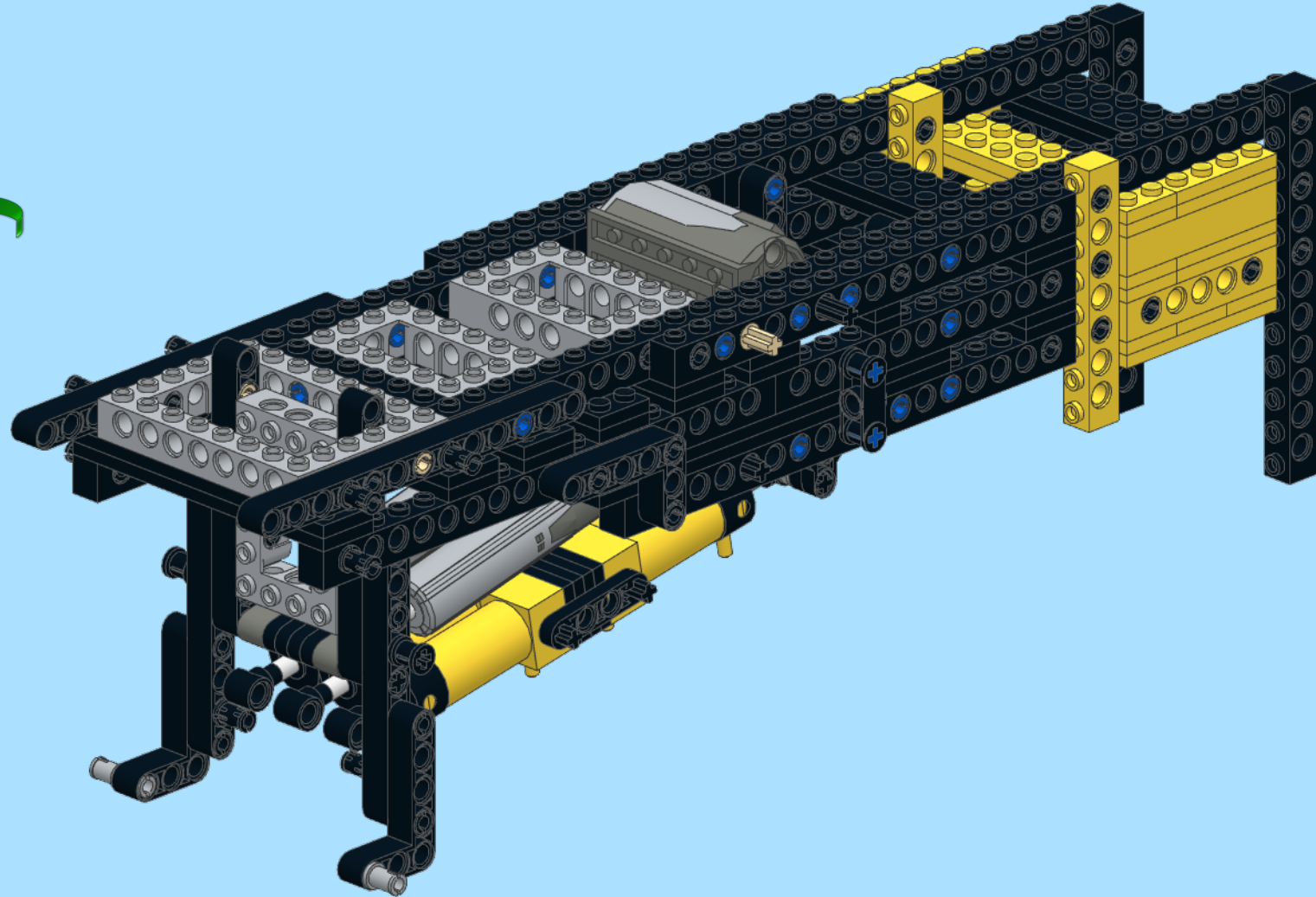
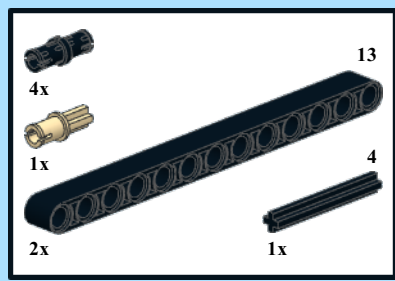


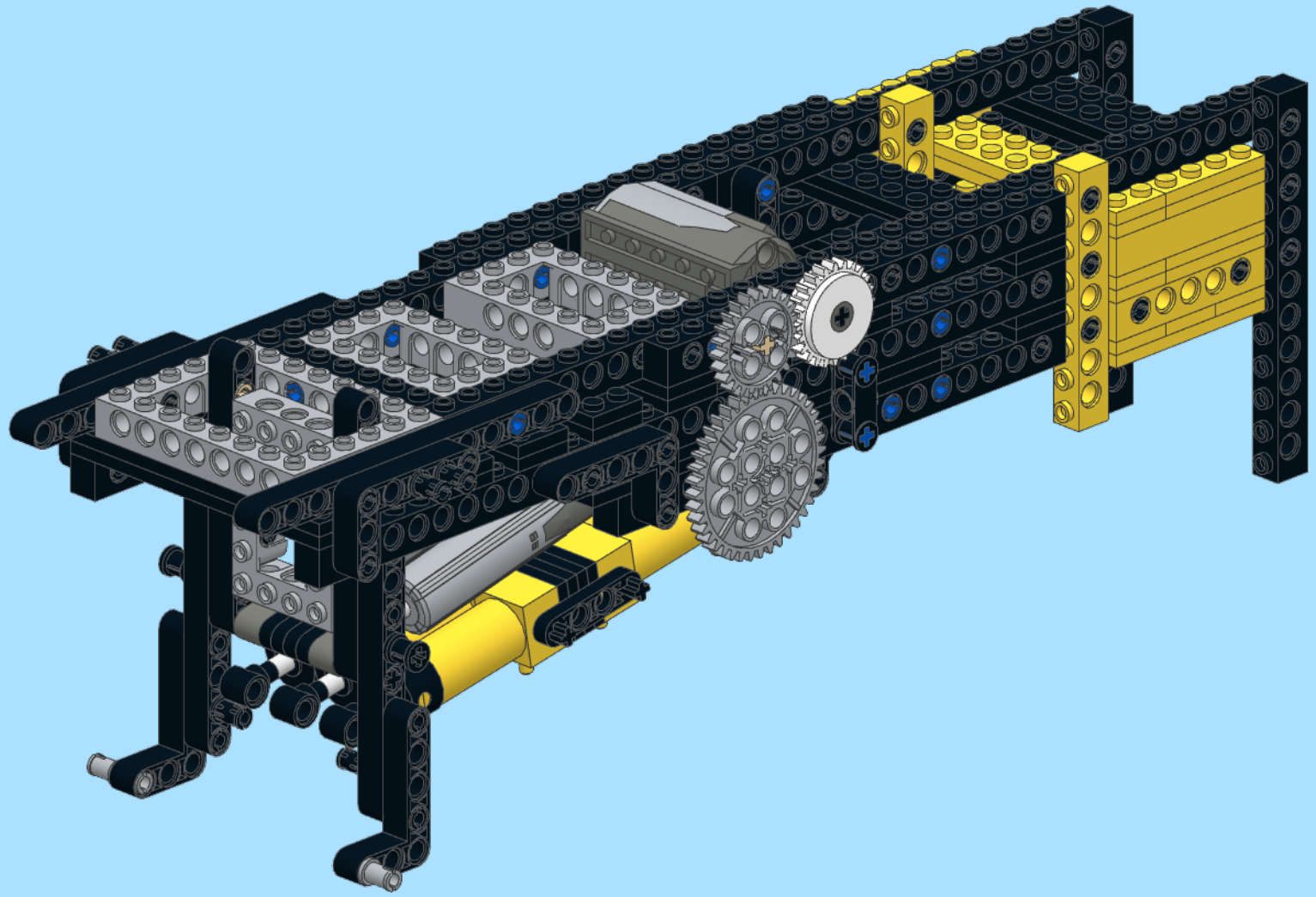
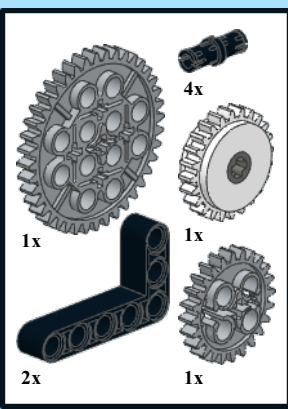


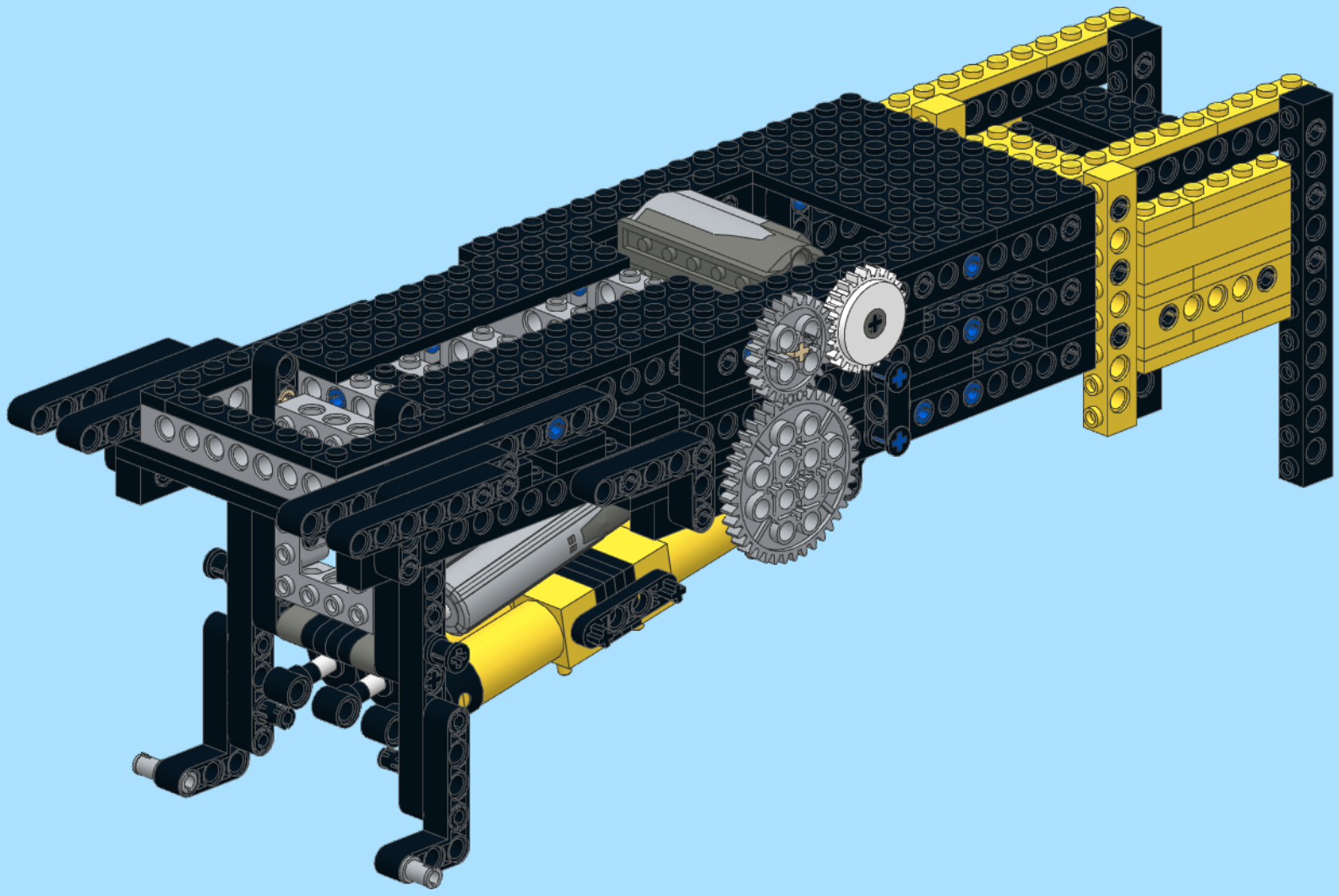
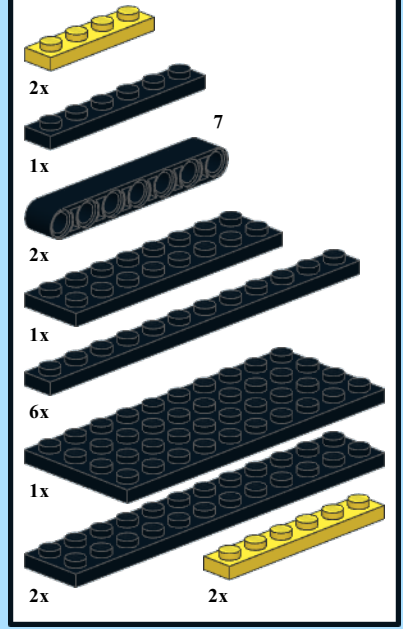


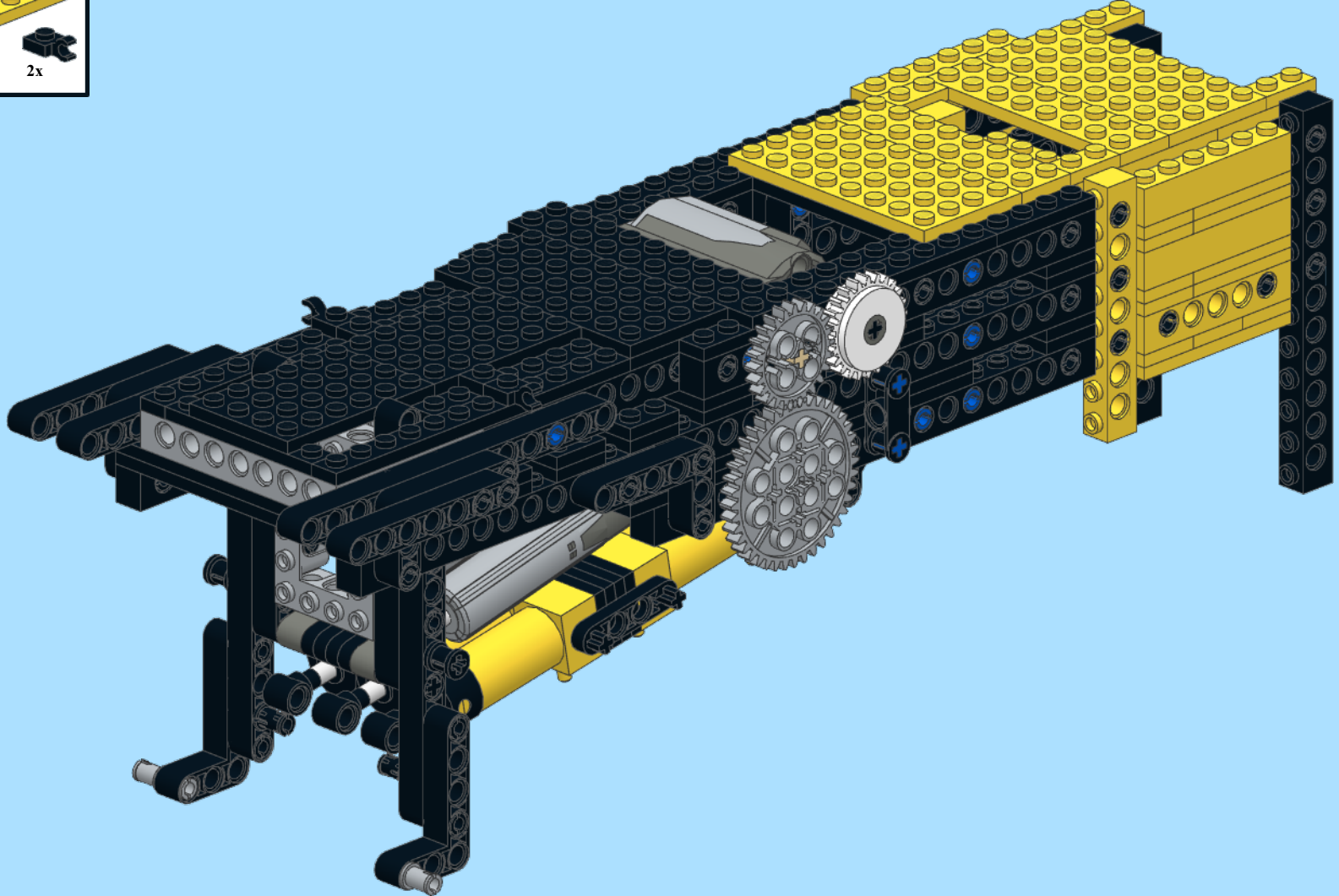
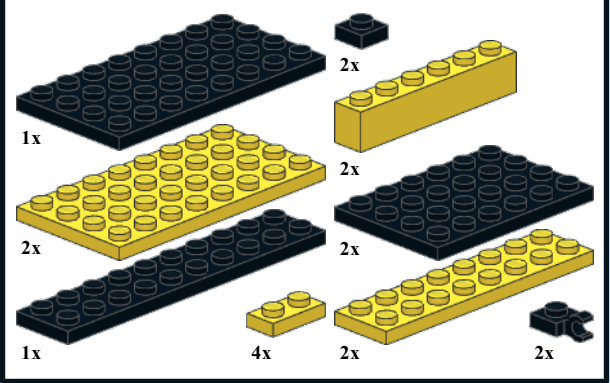


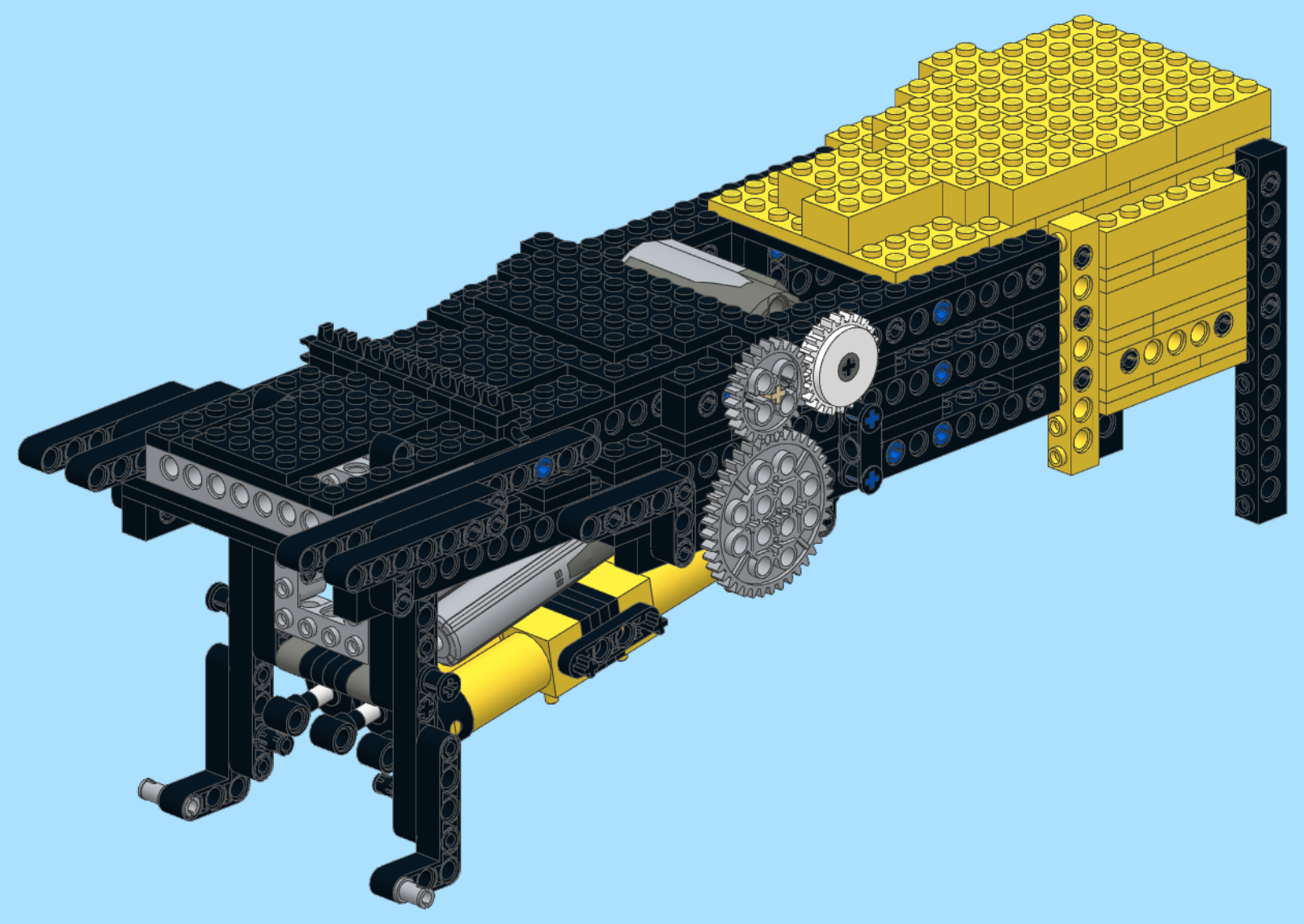
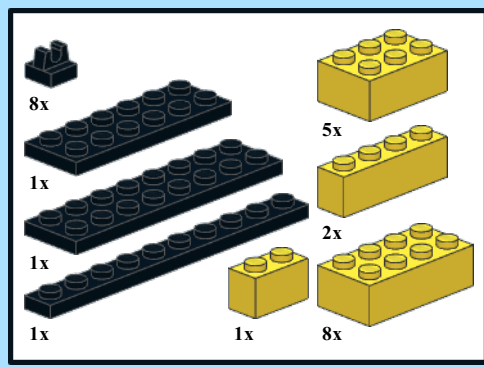


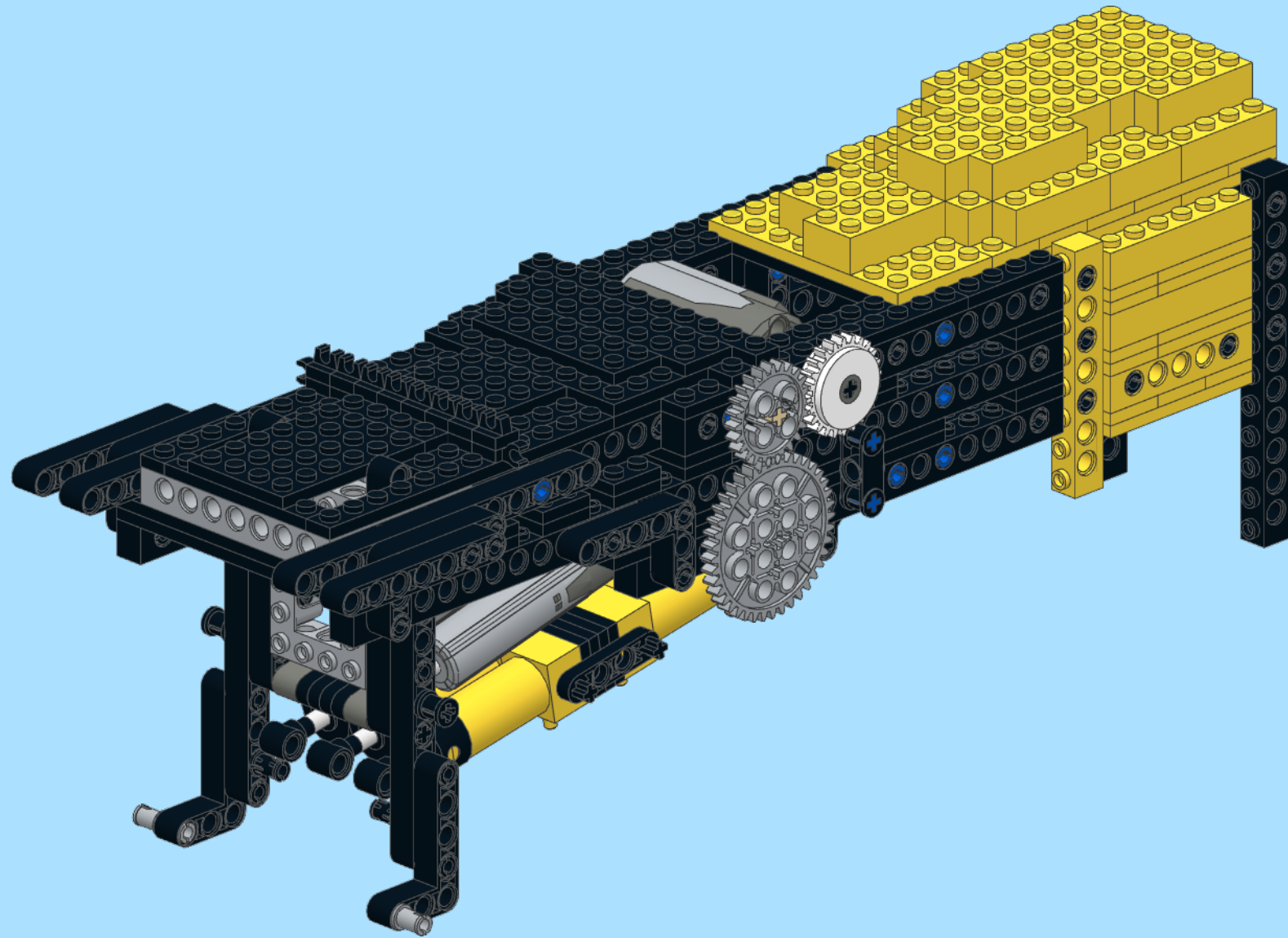
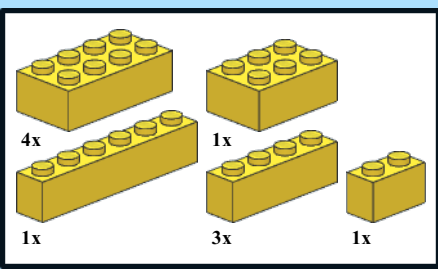


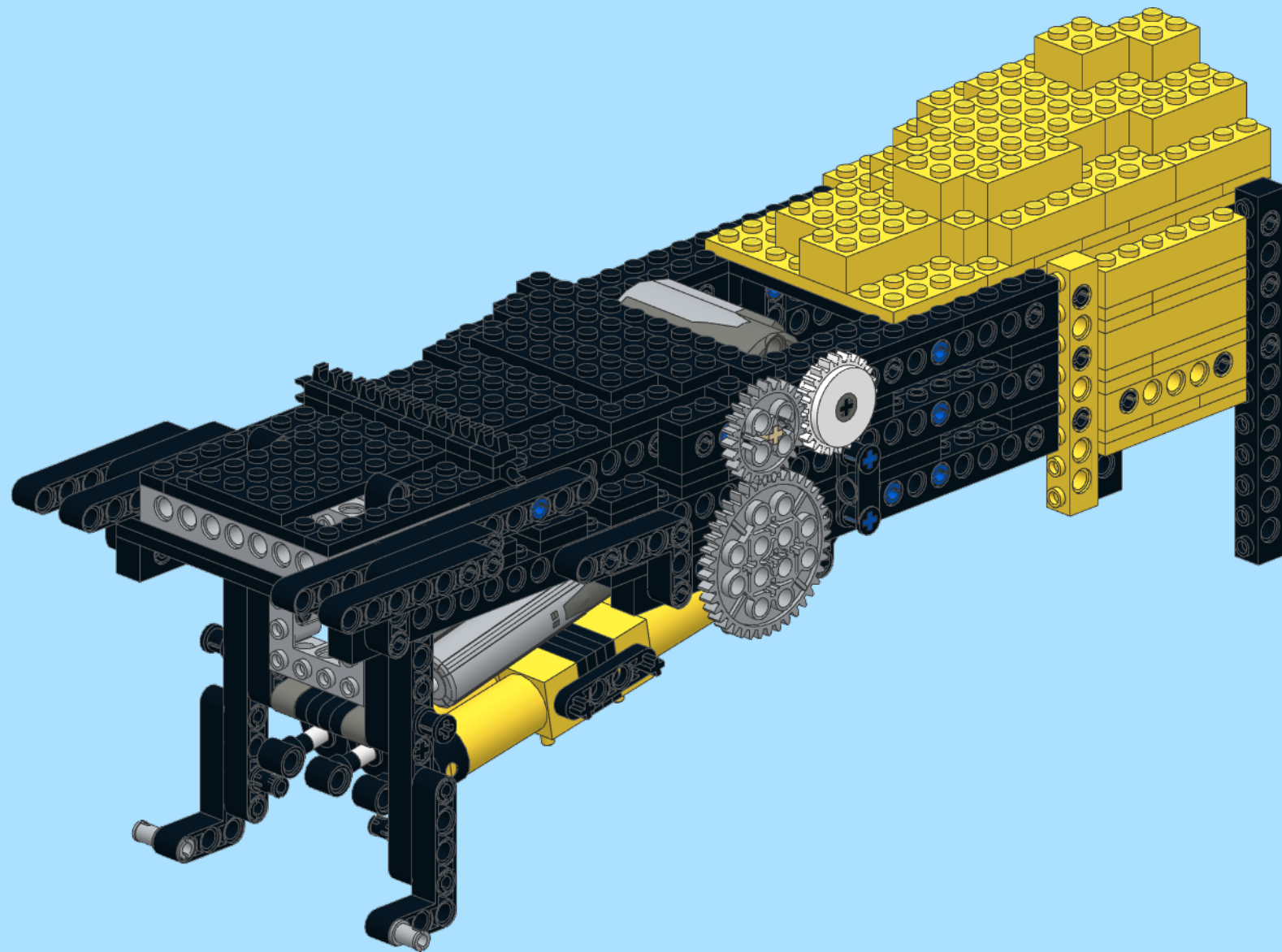


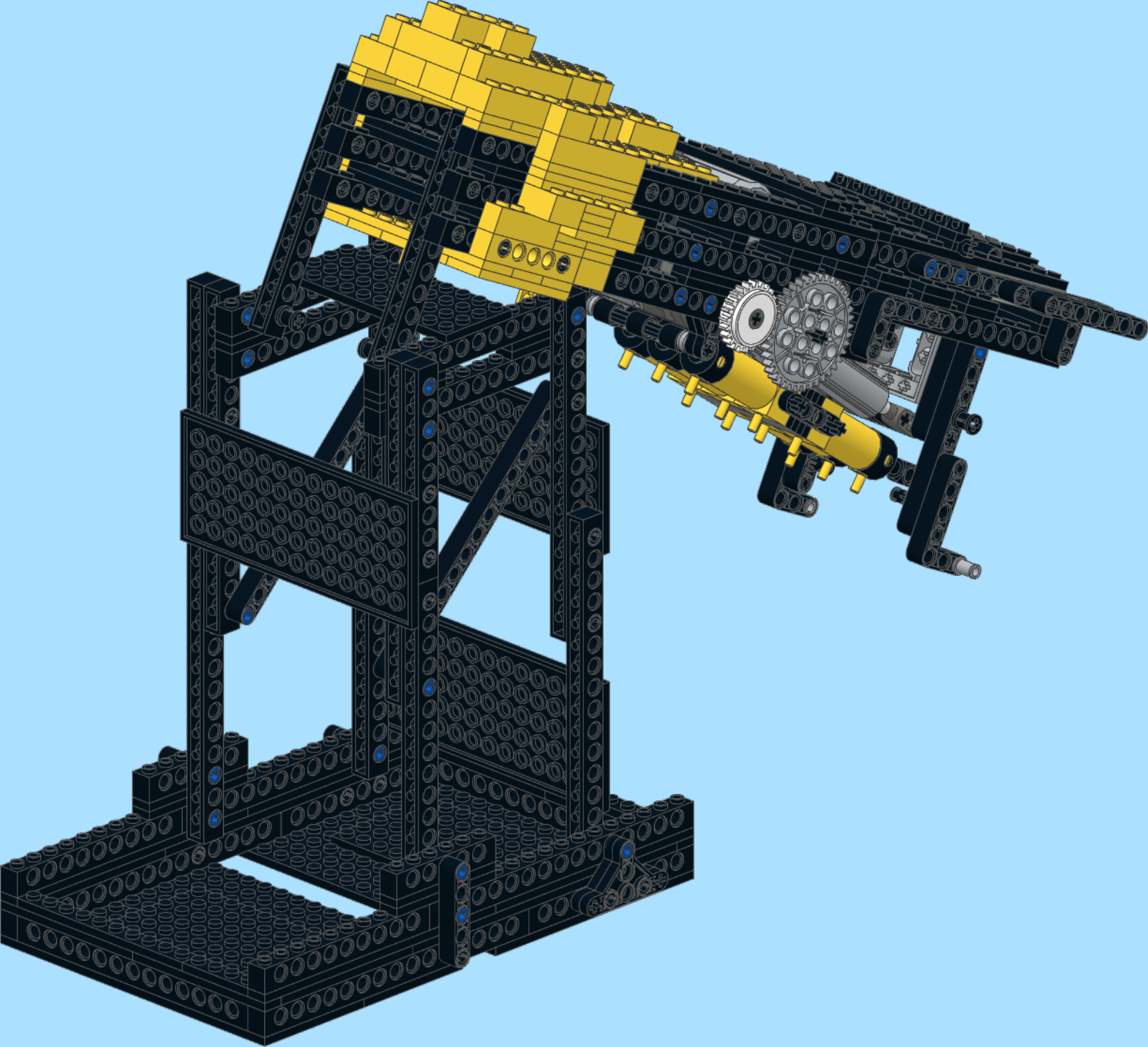


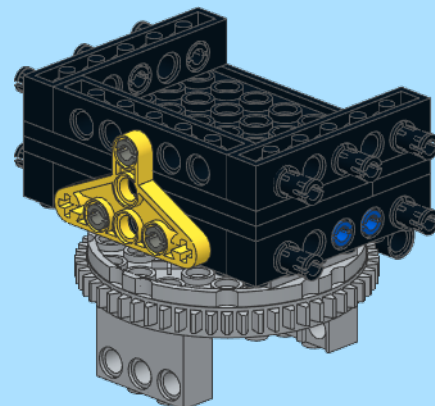
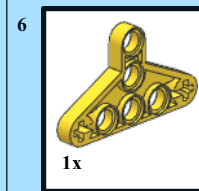
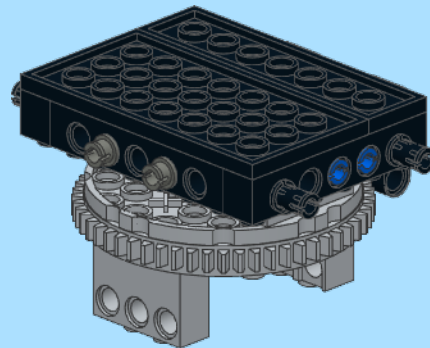
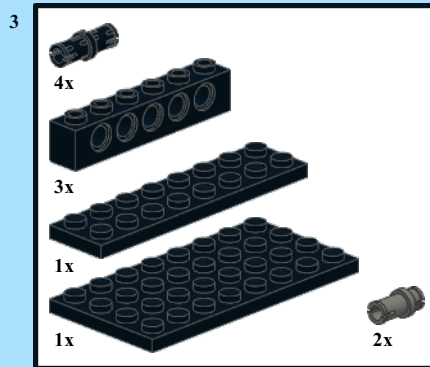
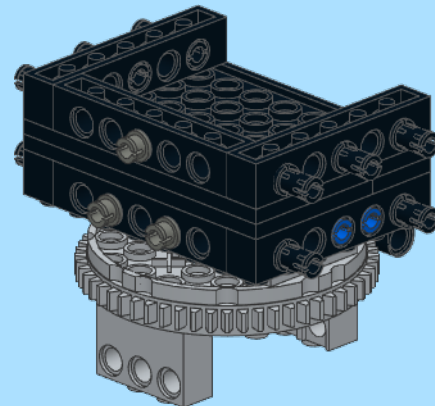
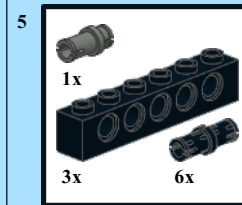
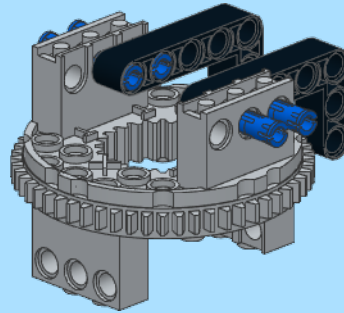
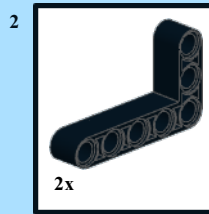
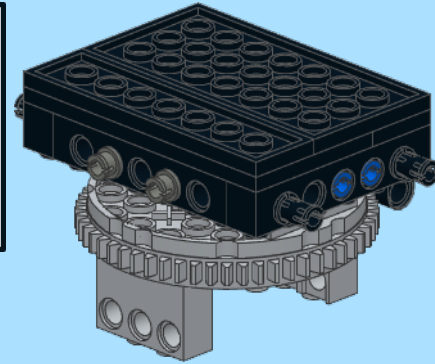
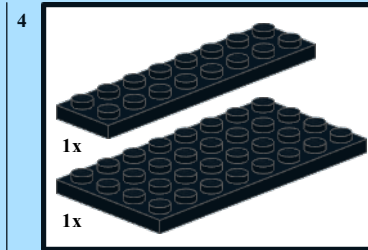
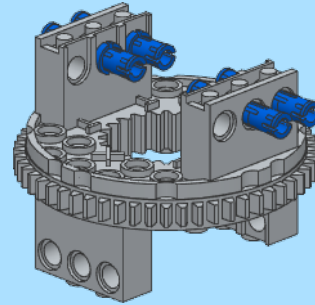
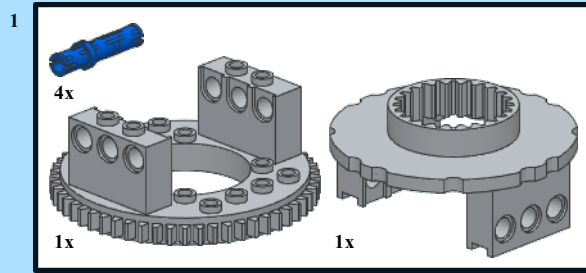


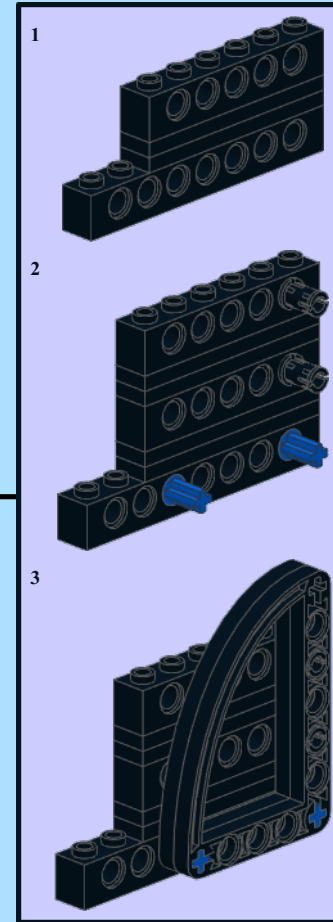
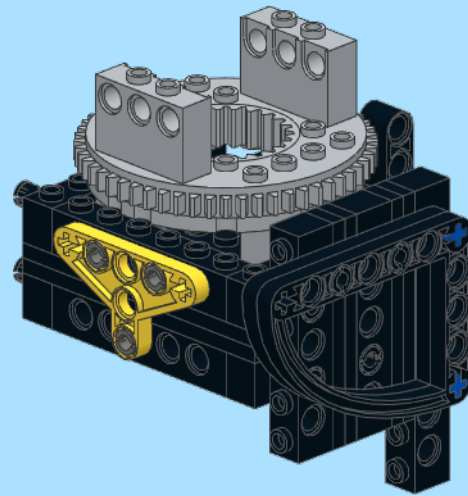
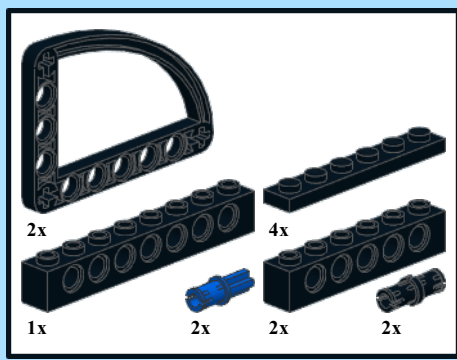


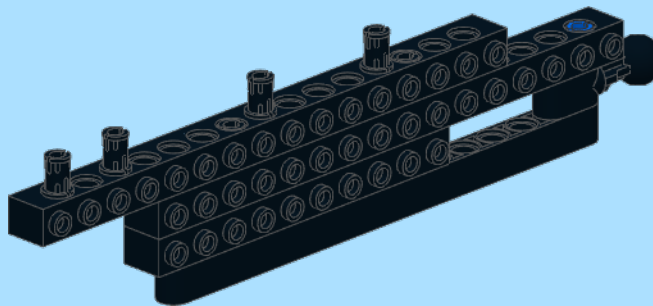
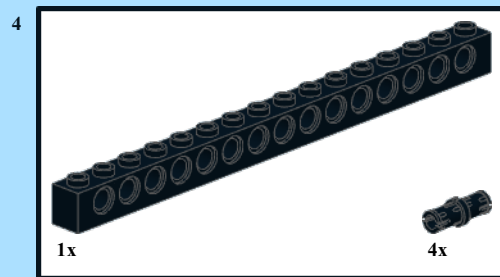
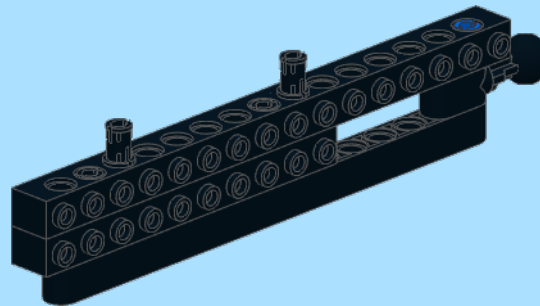
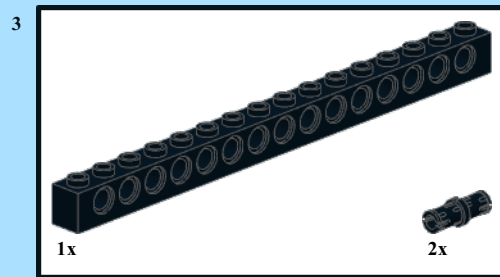
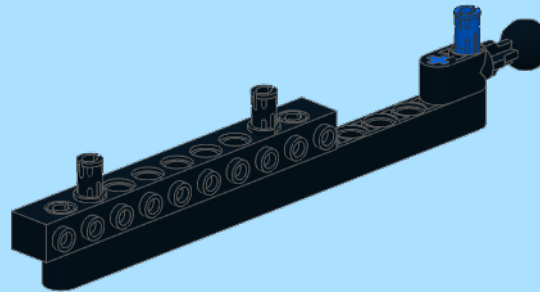
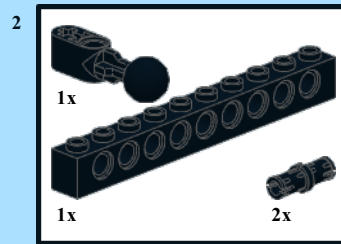
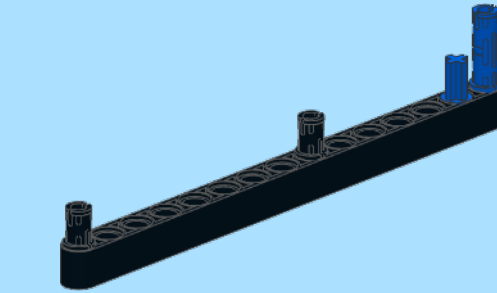
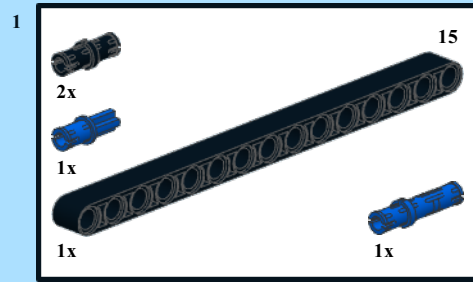


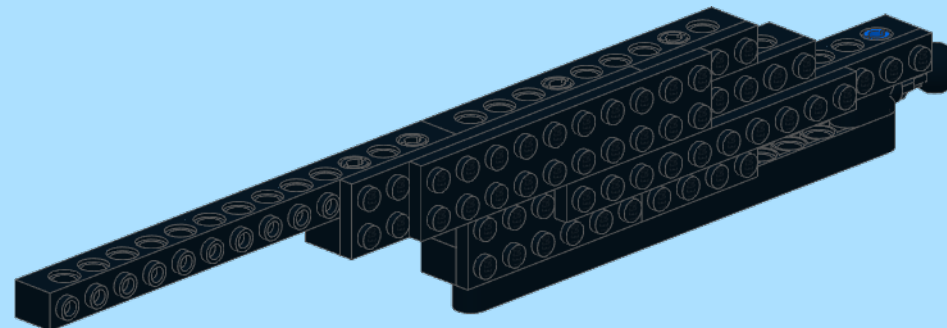
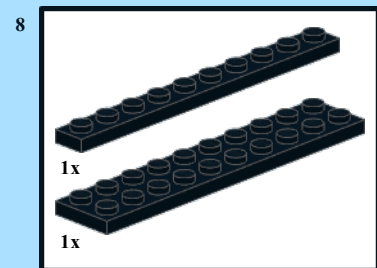
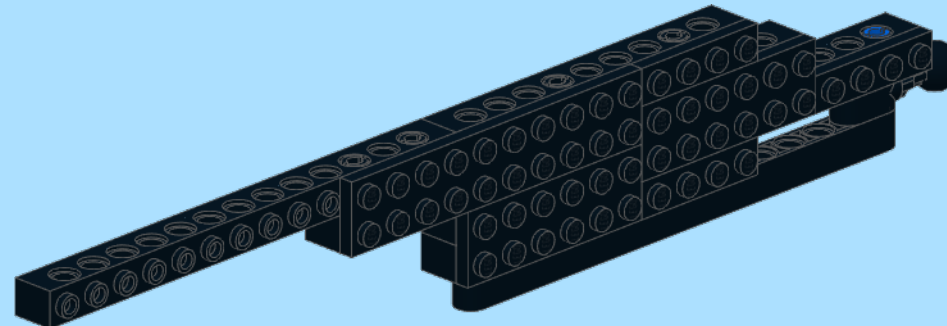
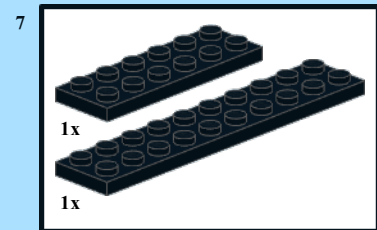
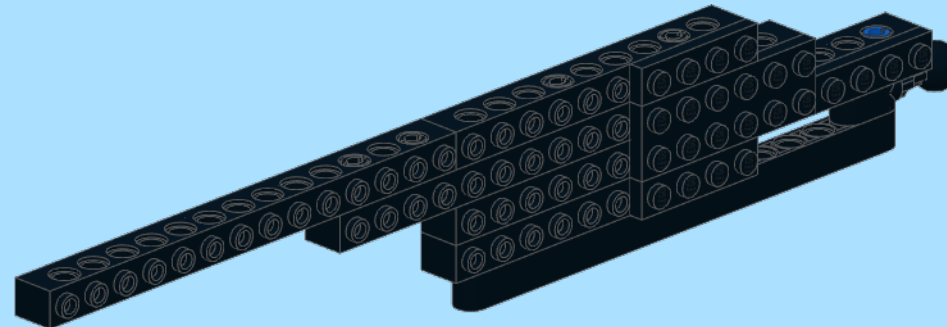
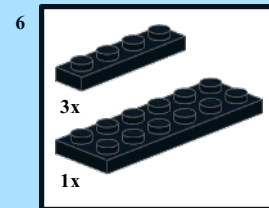
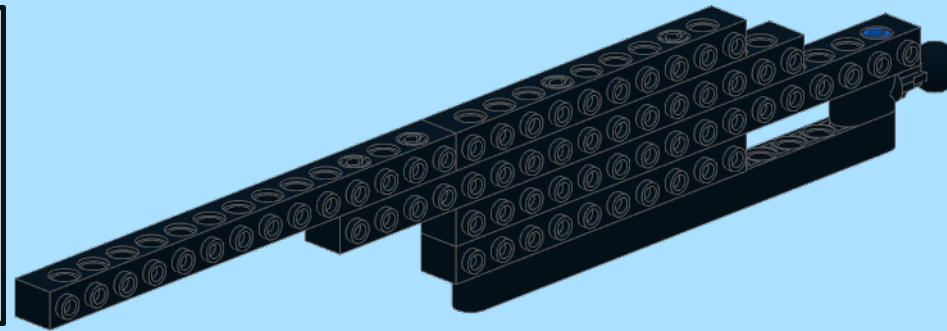
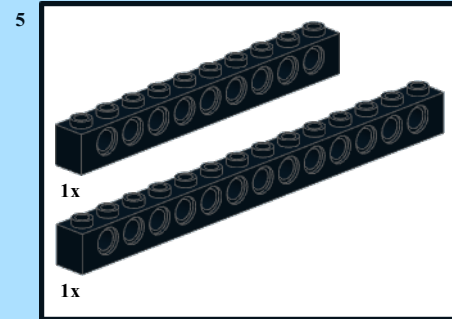




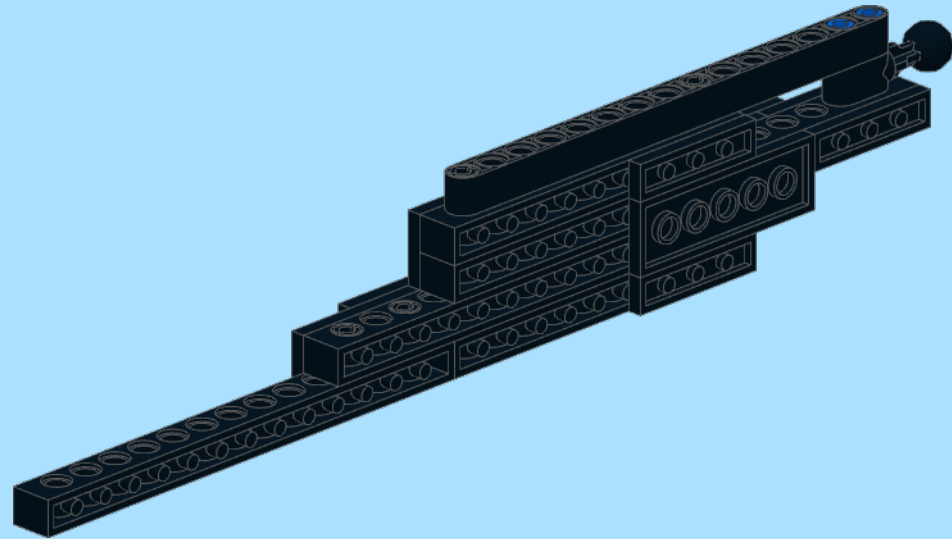
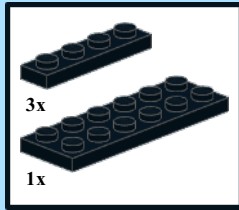




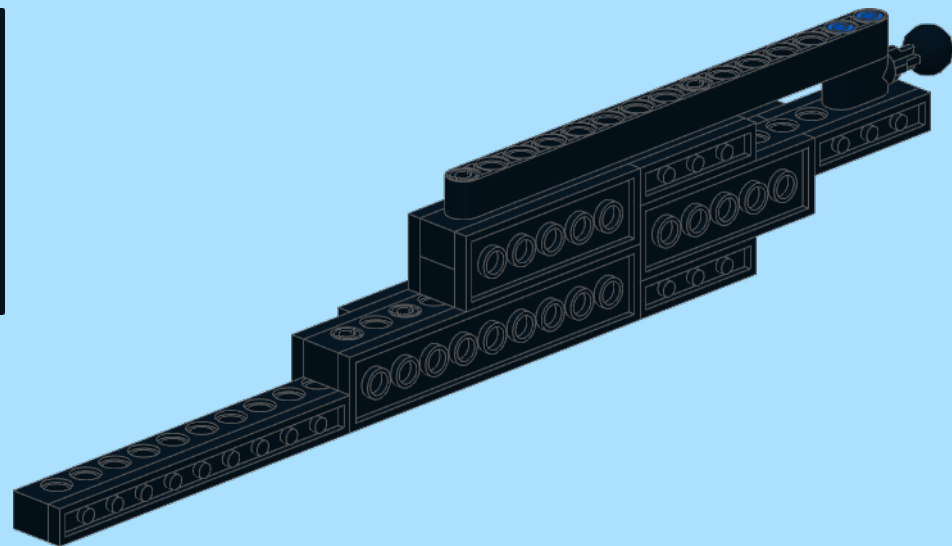
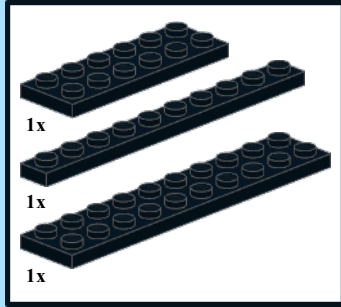


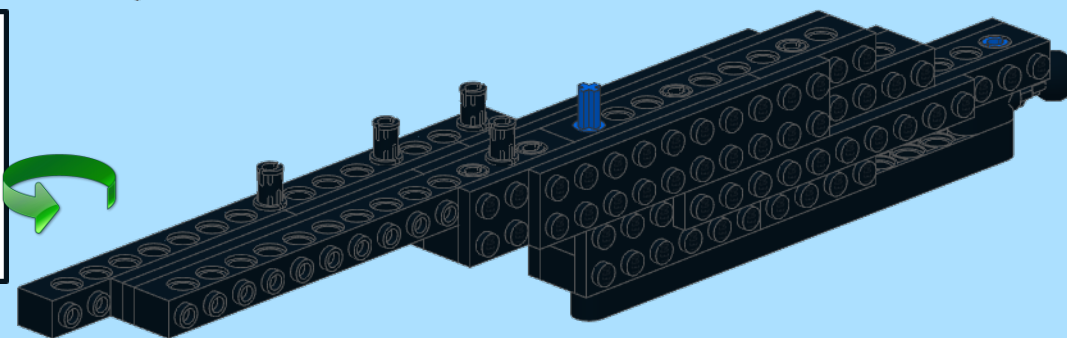
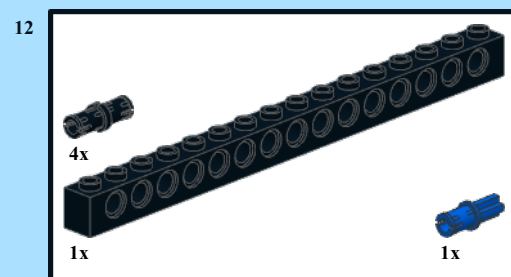
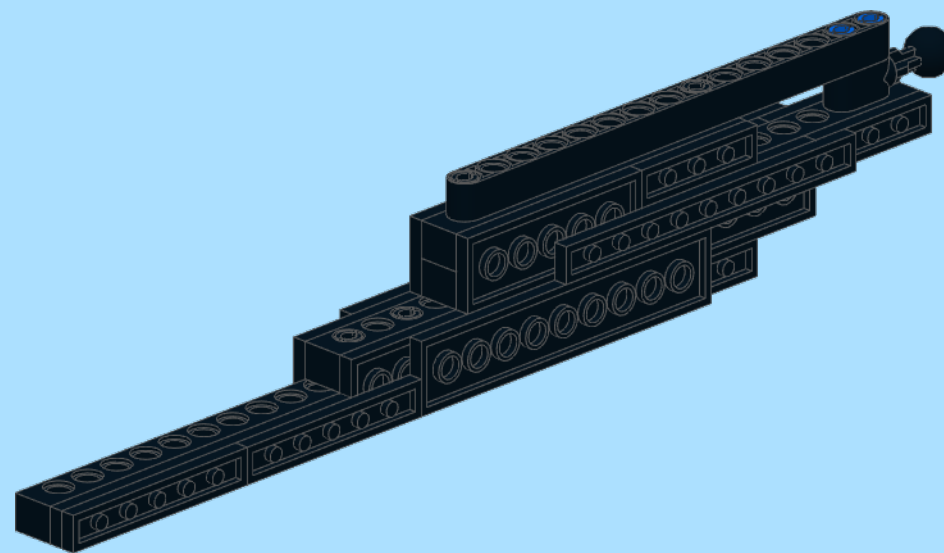
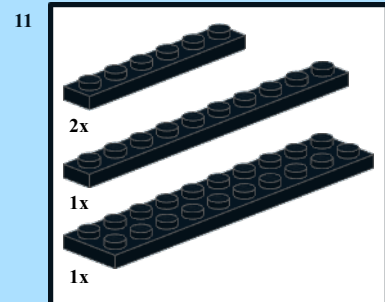


9

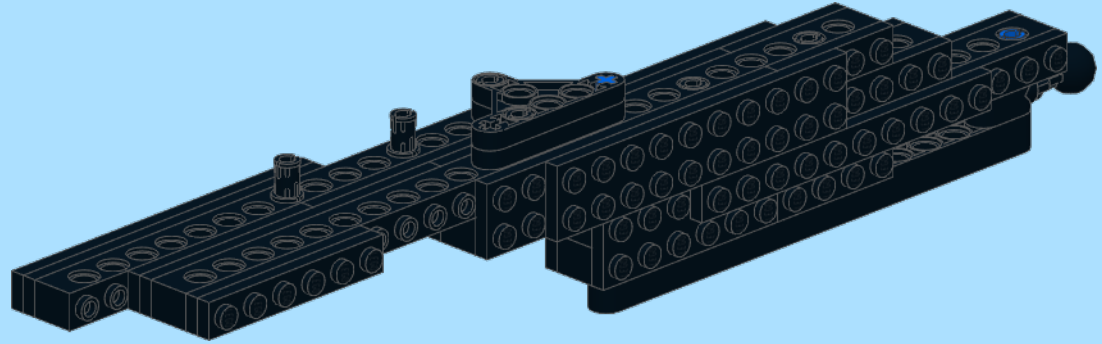
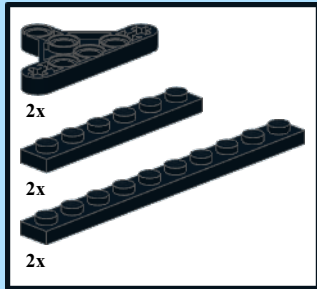


10

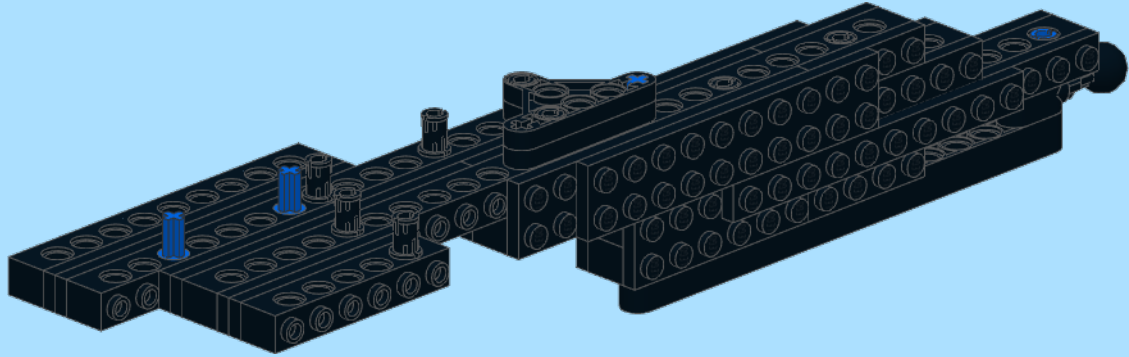
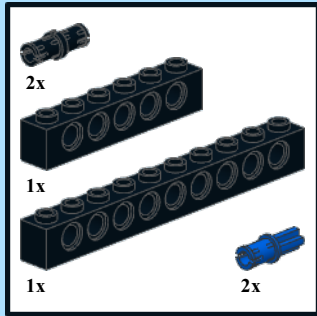


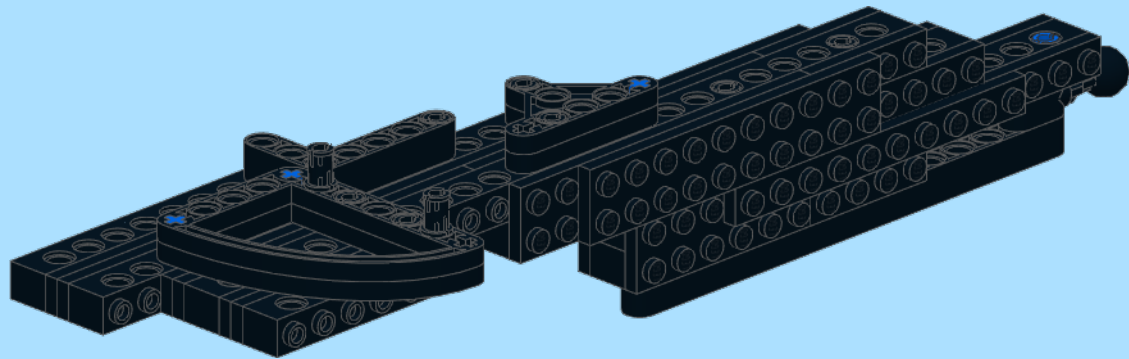
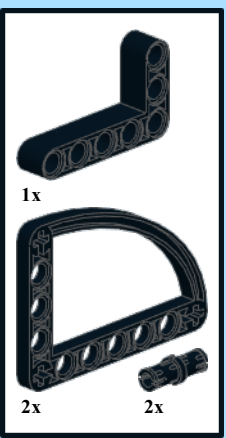


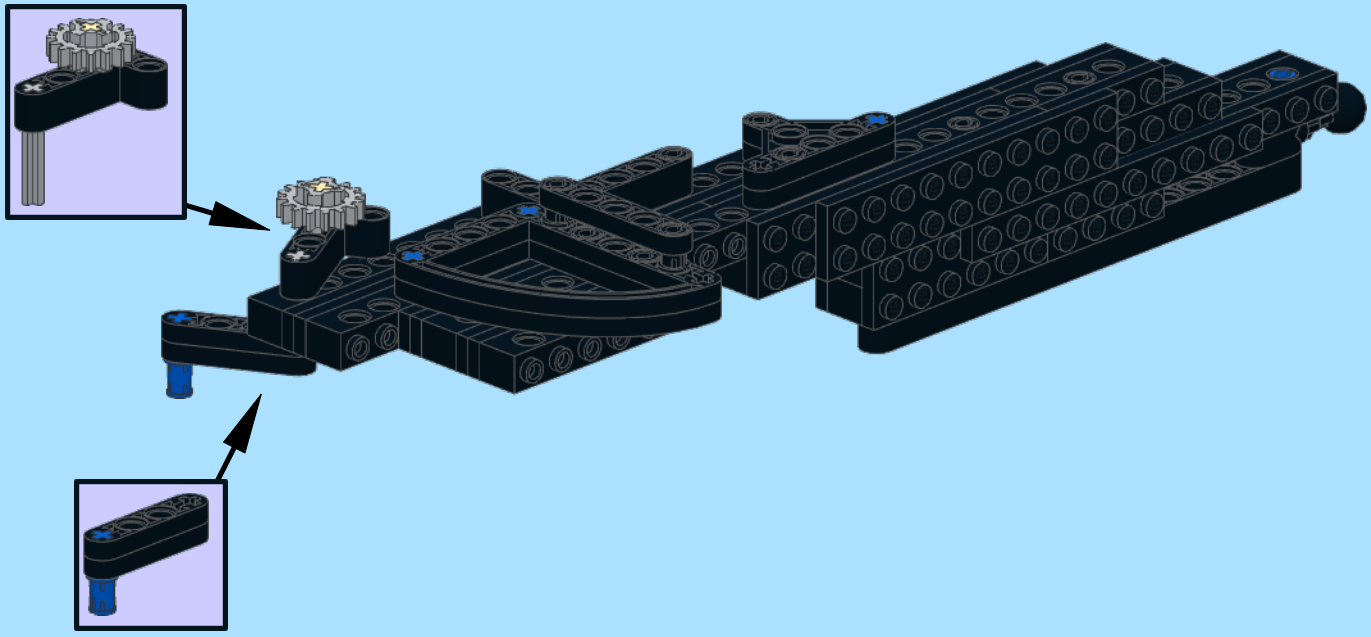
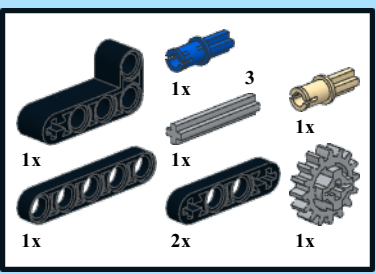
13

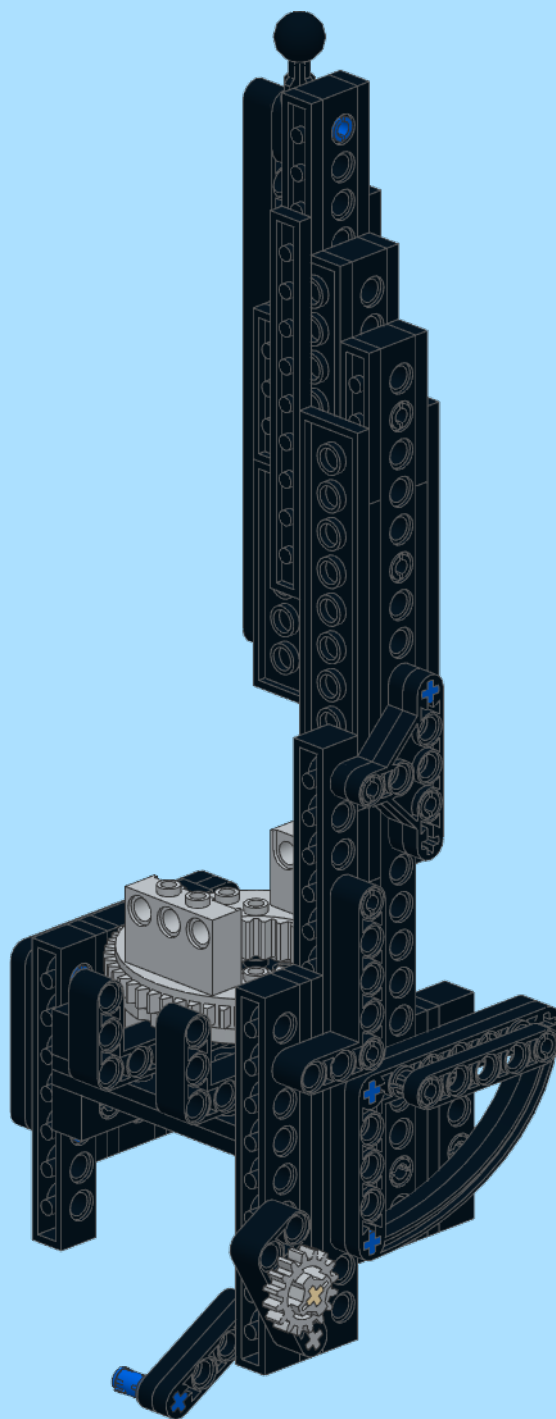


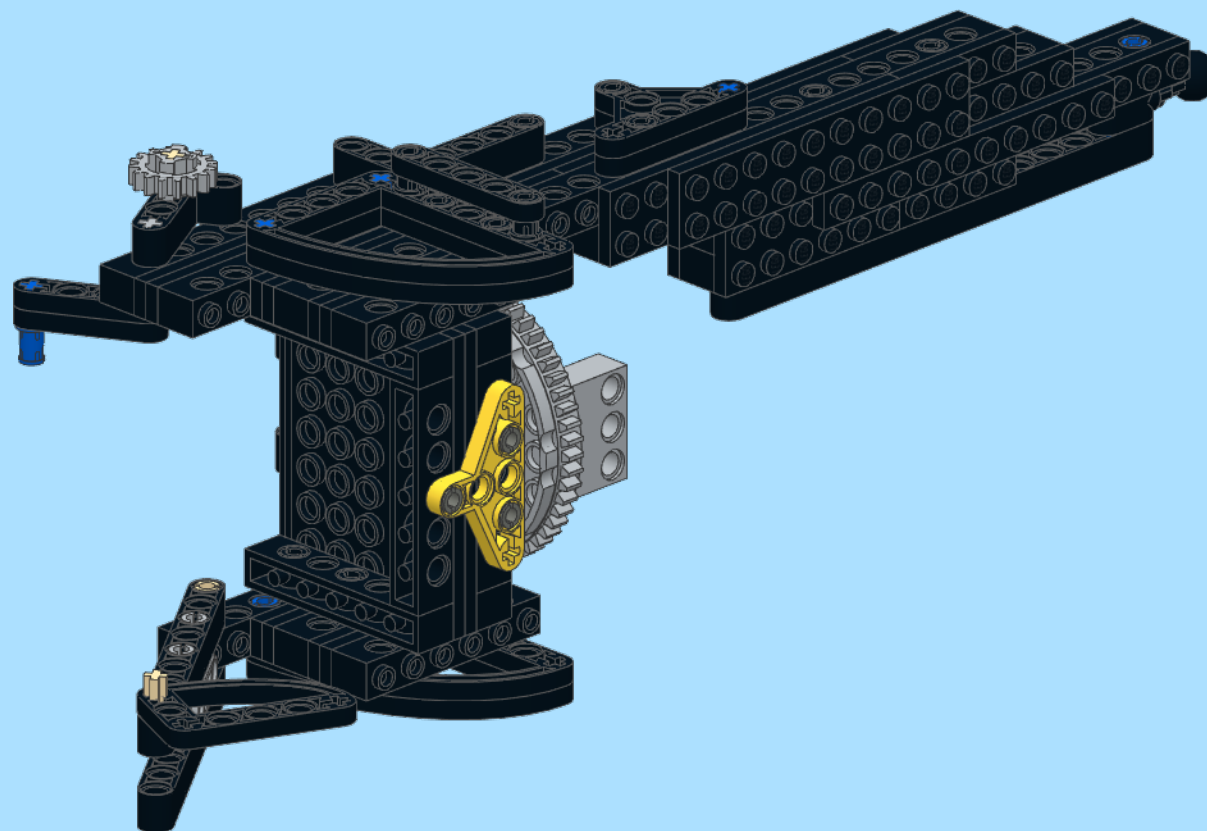
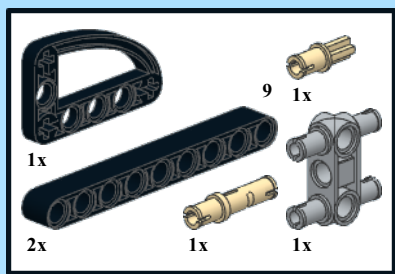
14

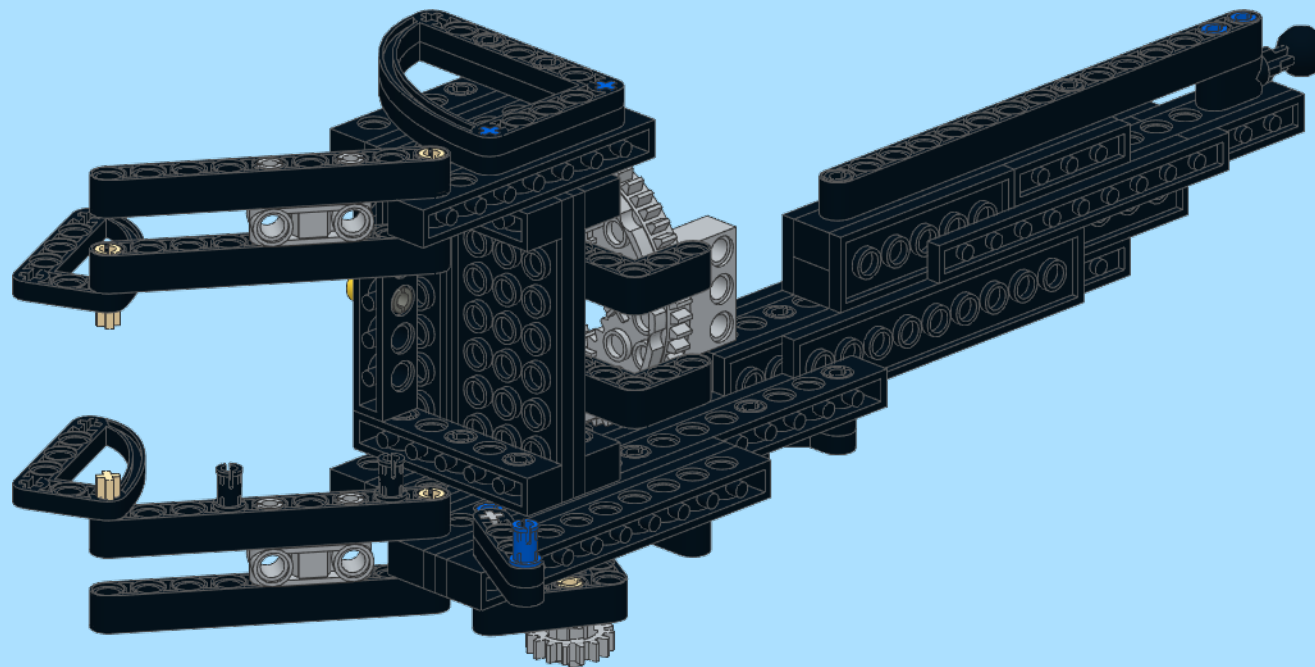
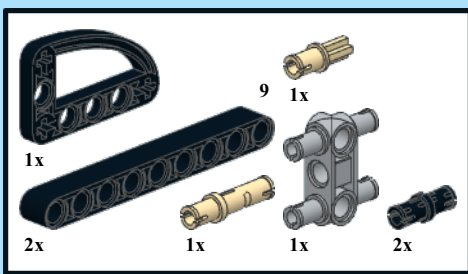


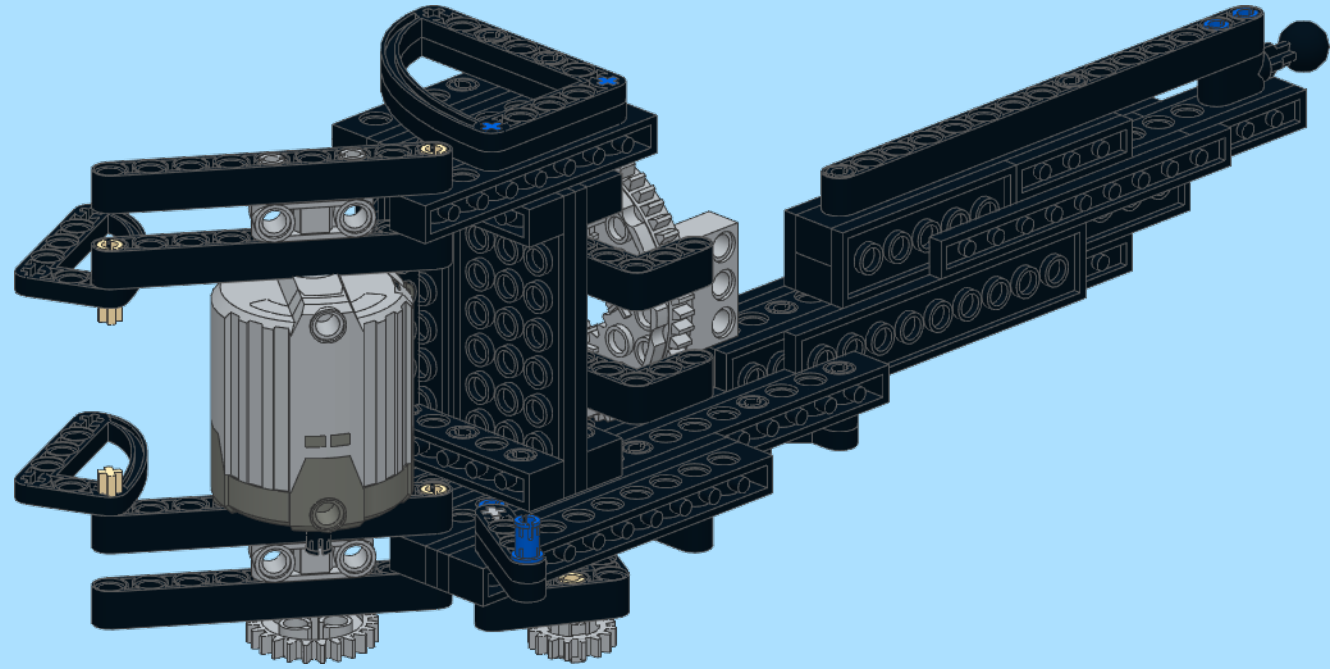
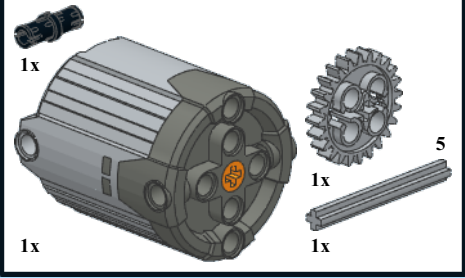


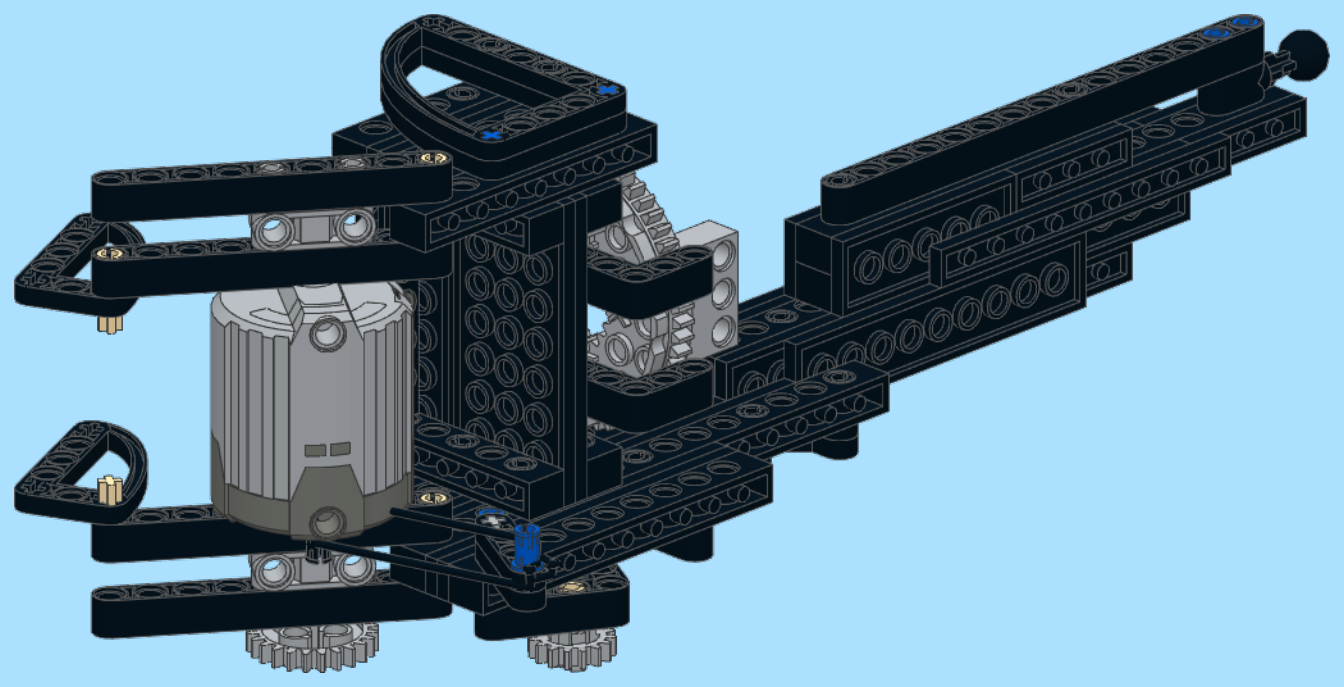
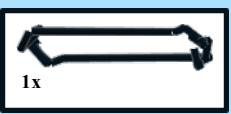


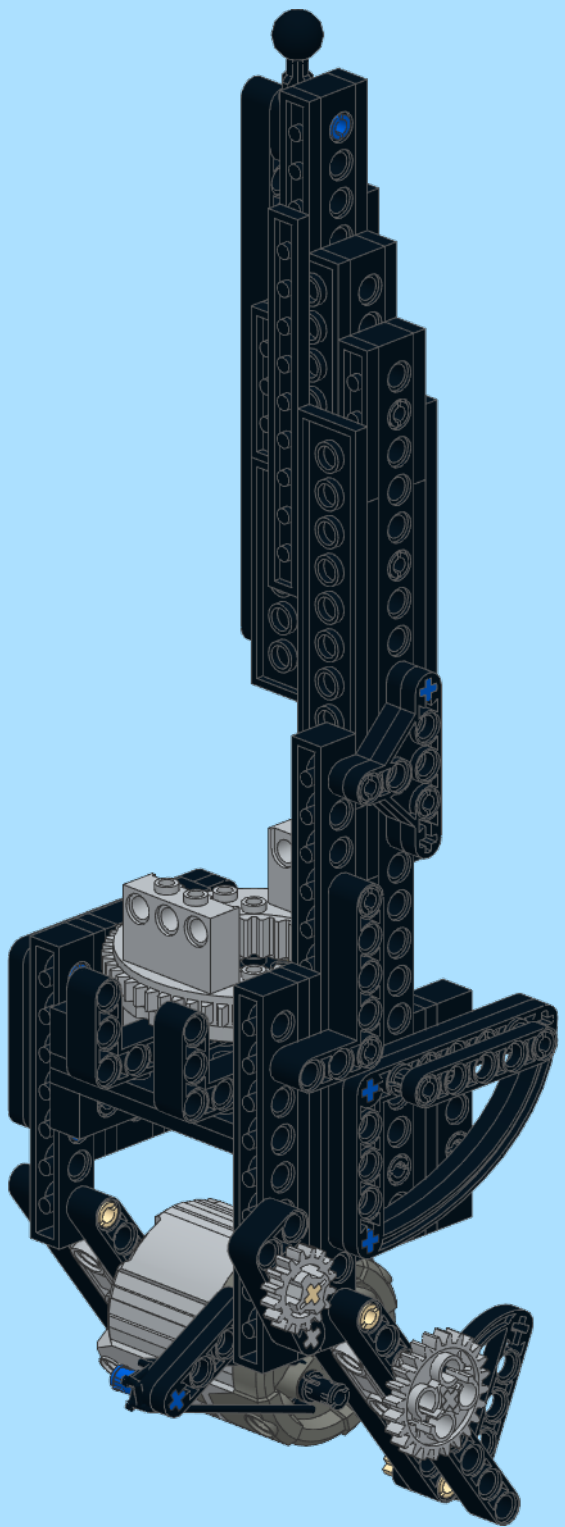


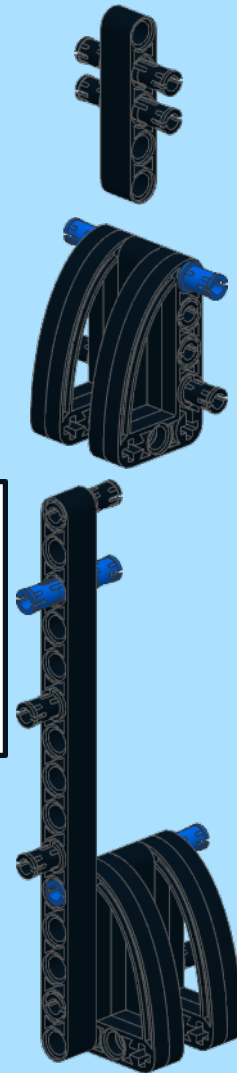
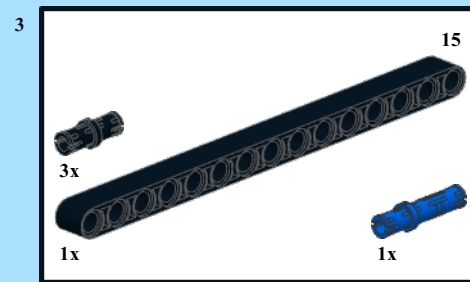
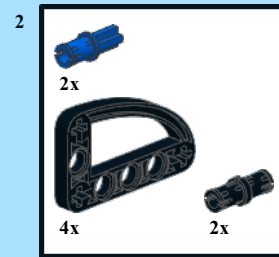
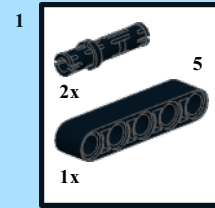




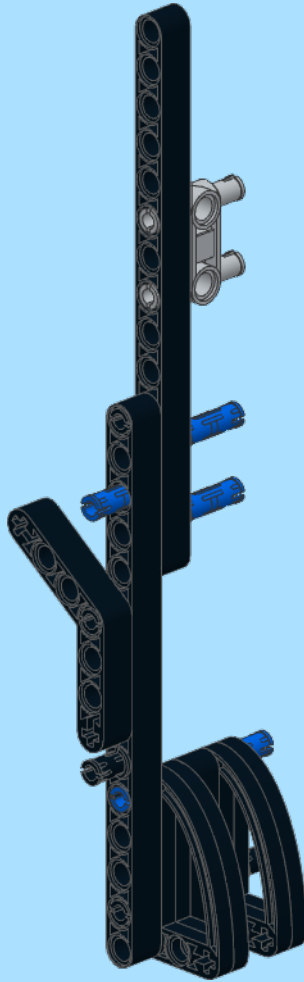
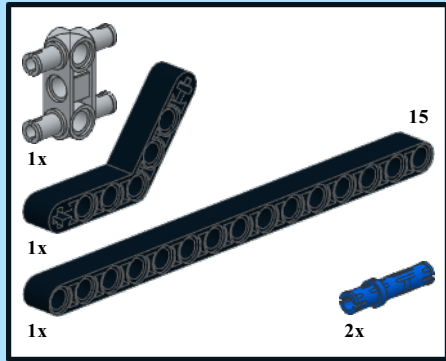




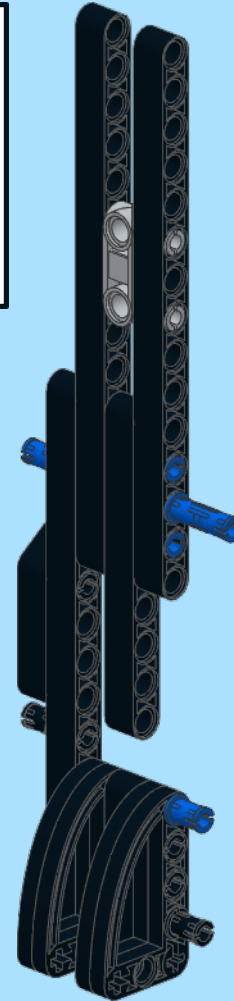
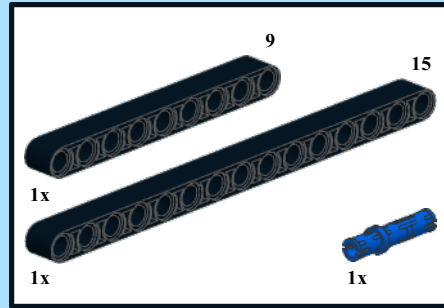


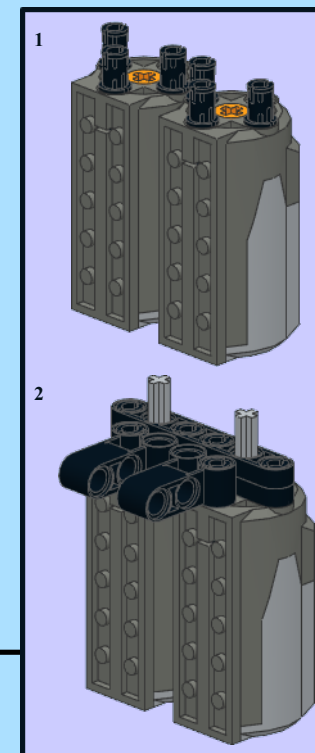
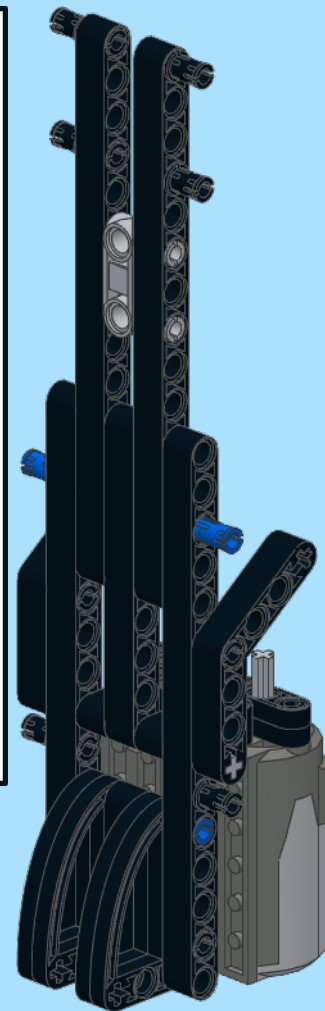
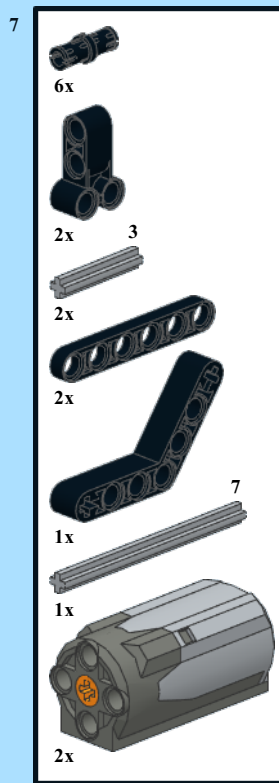
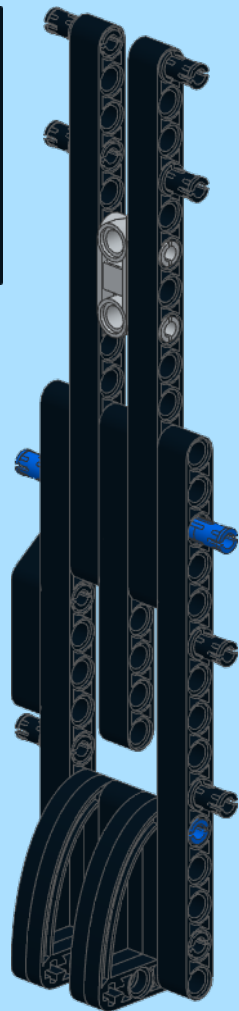
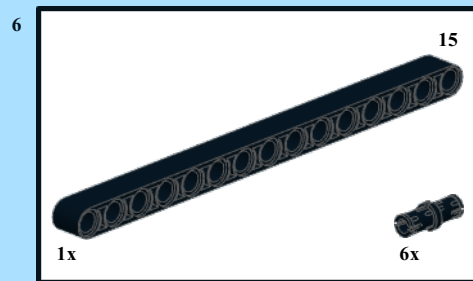


4

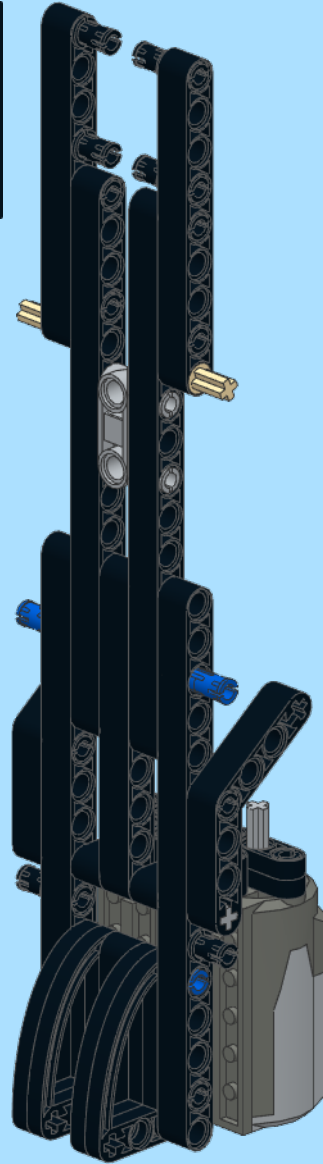
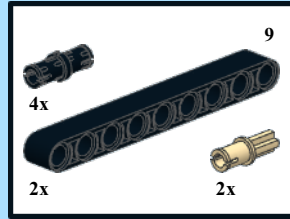


5

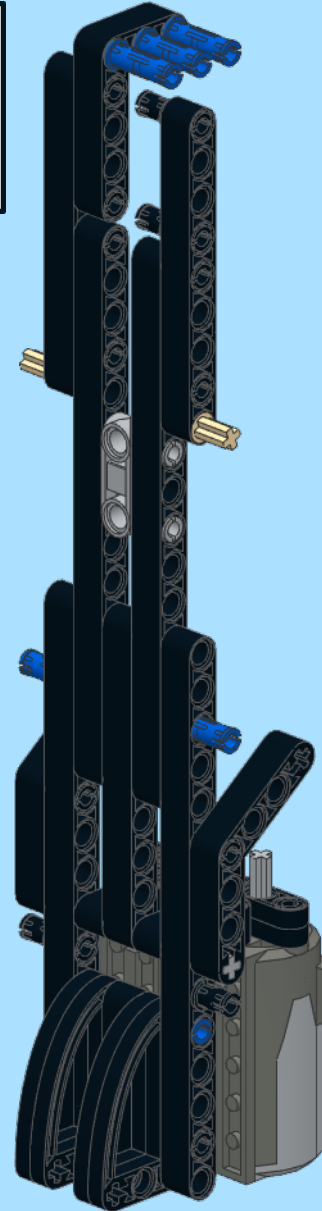
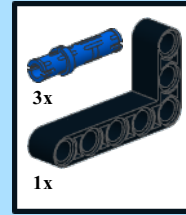




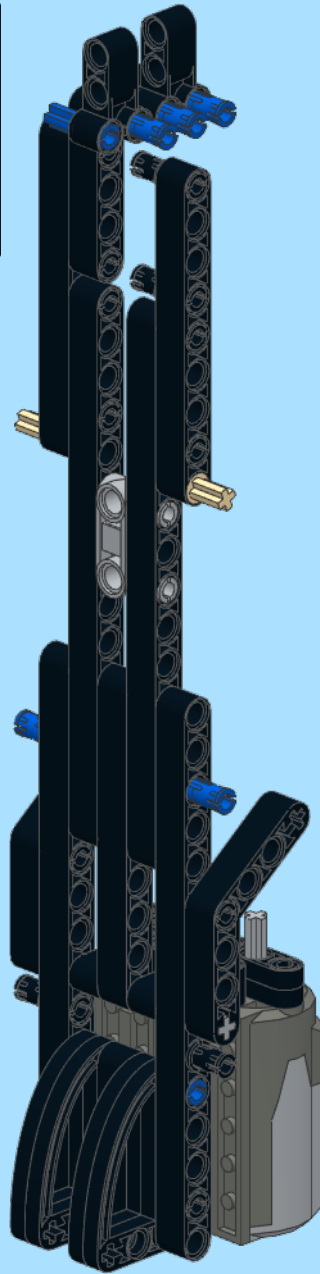
8



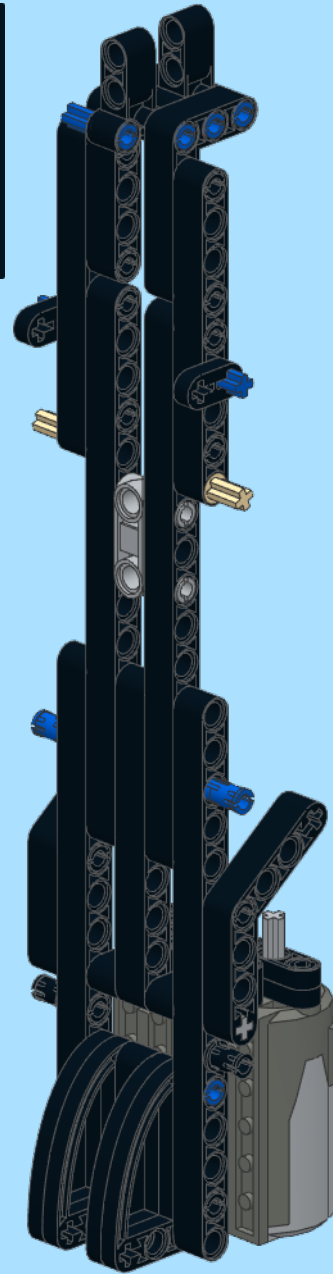
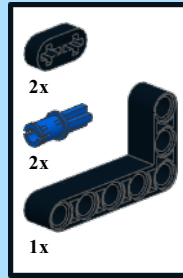
9






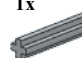








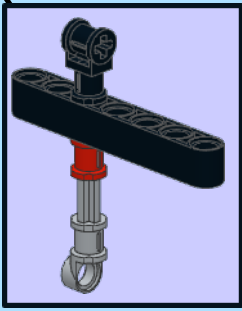
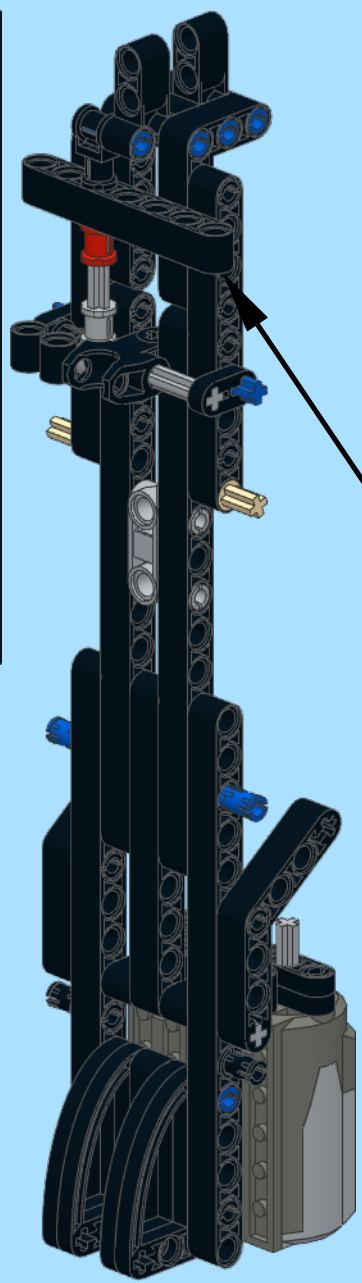
10






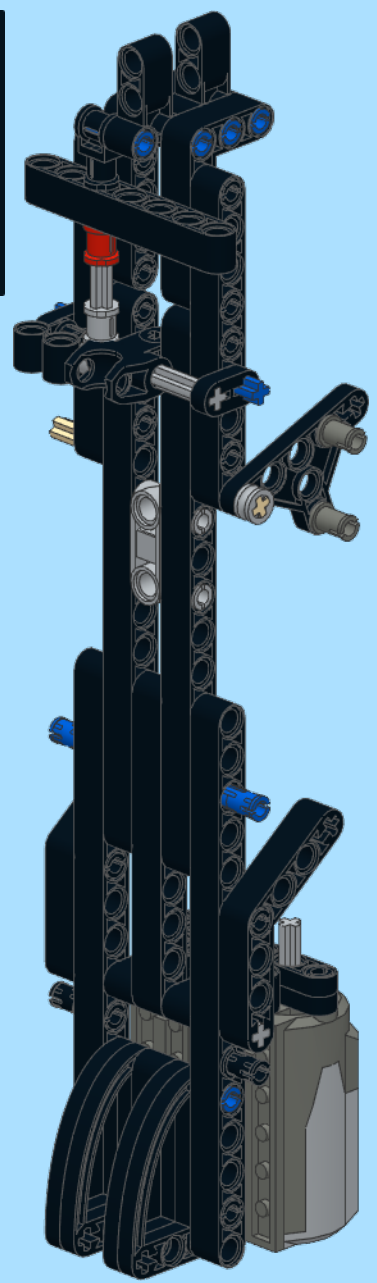
11



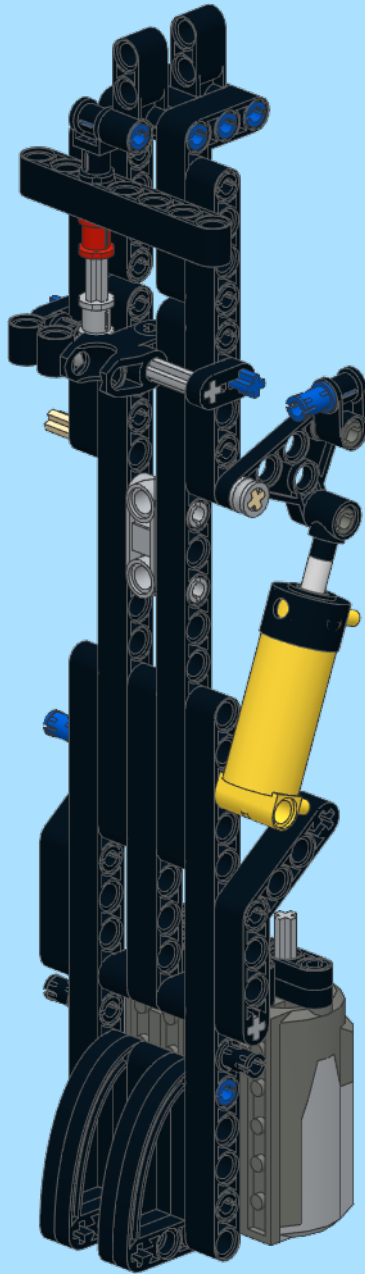
- 12
-  1x
 -  1x
 -  1x
 -  1x
 -  1x
 -  5
 -  1x
 -  6
 -  1x
 -  1x
 -  1x
 -  1x



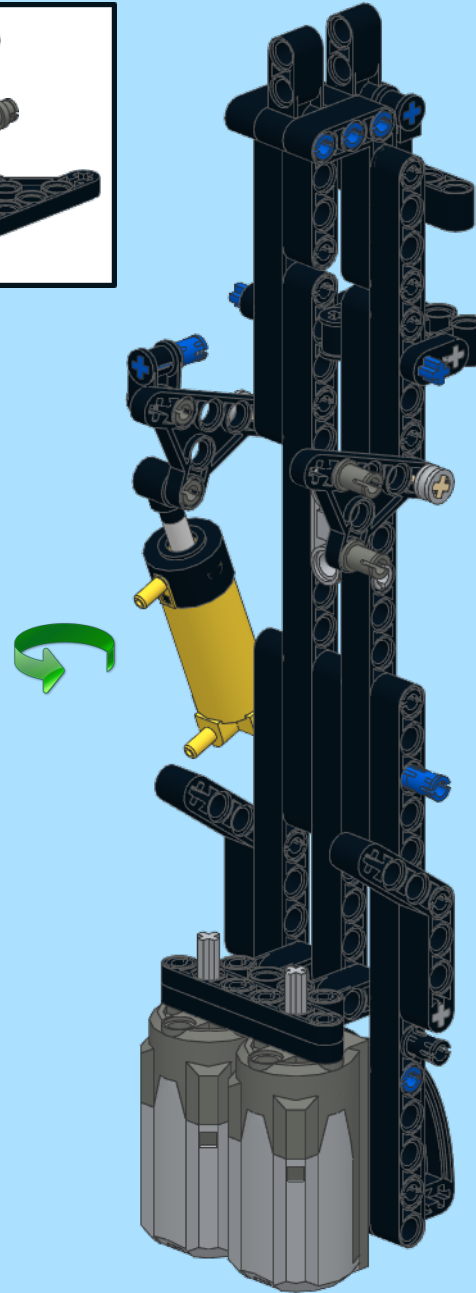
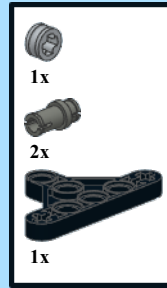
- 13
-  1x
 -  2x
 -  1x



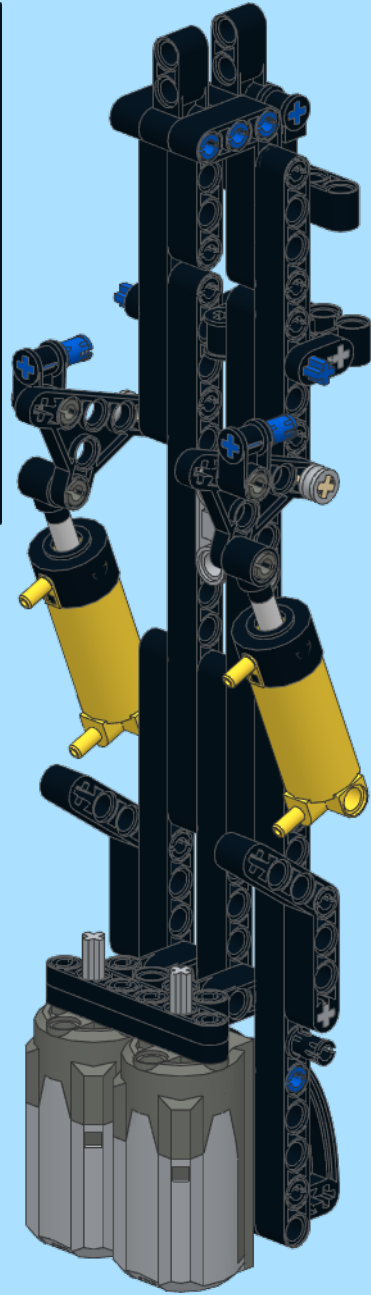
14



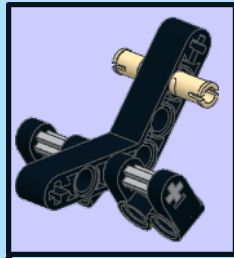
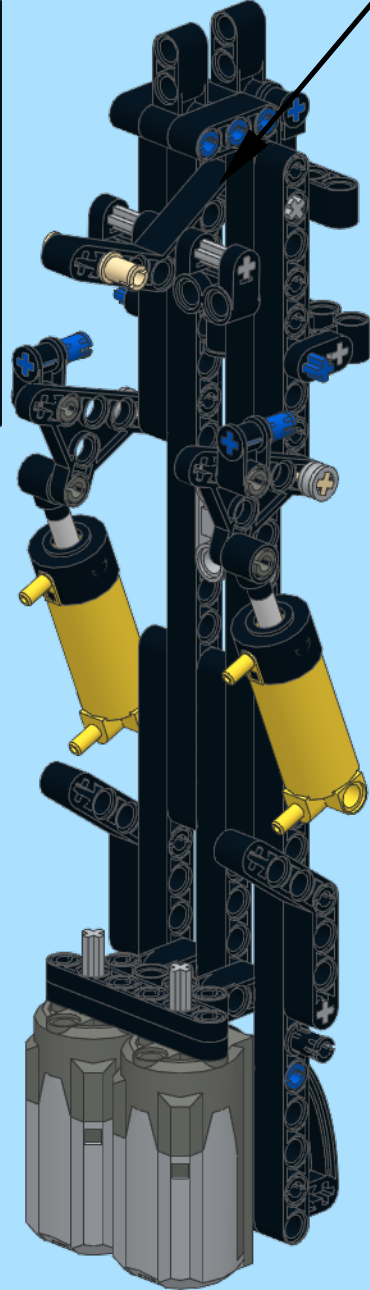
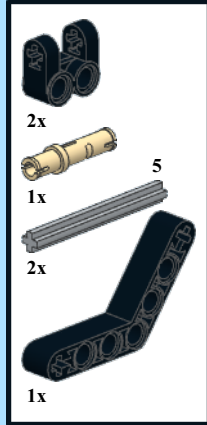
15

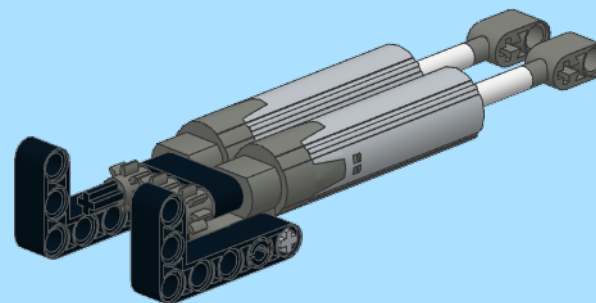
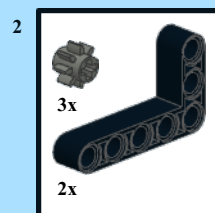
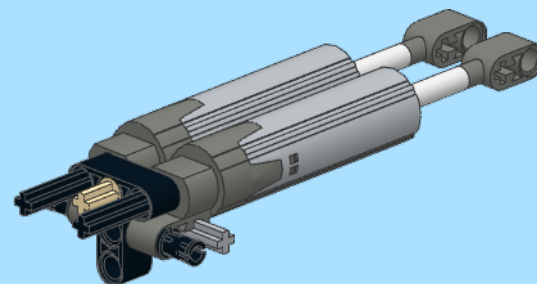
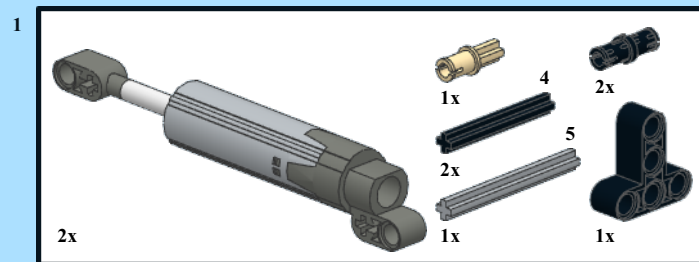


16

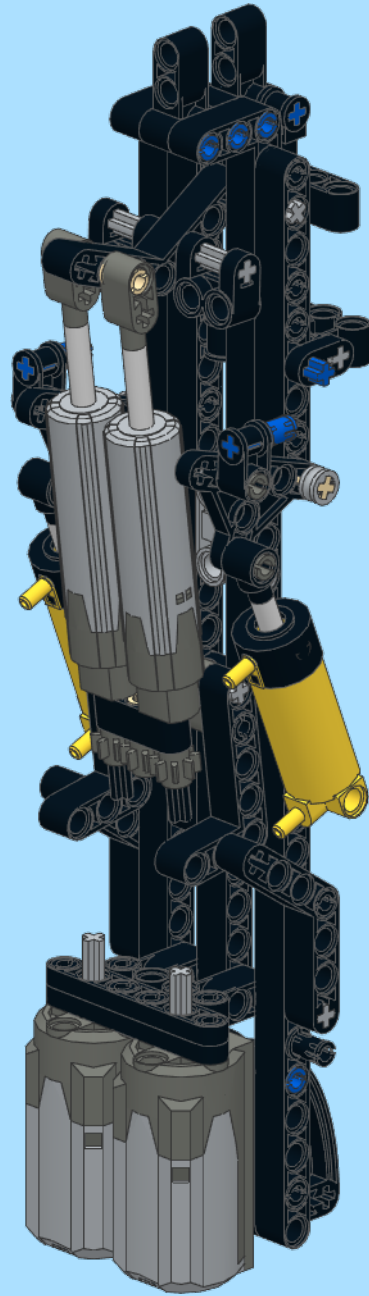


17

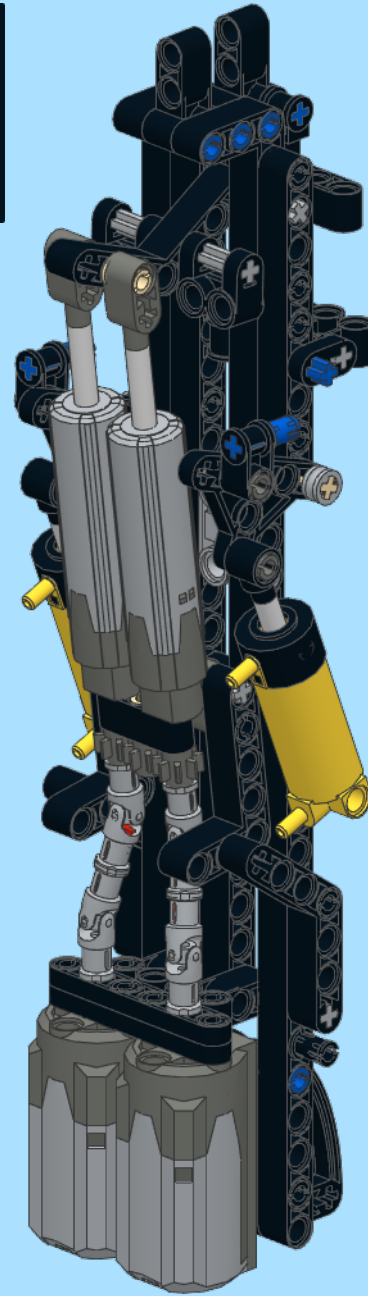
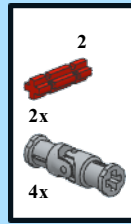




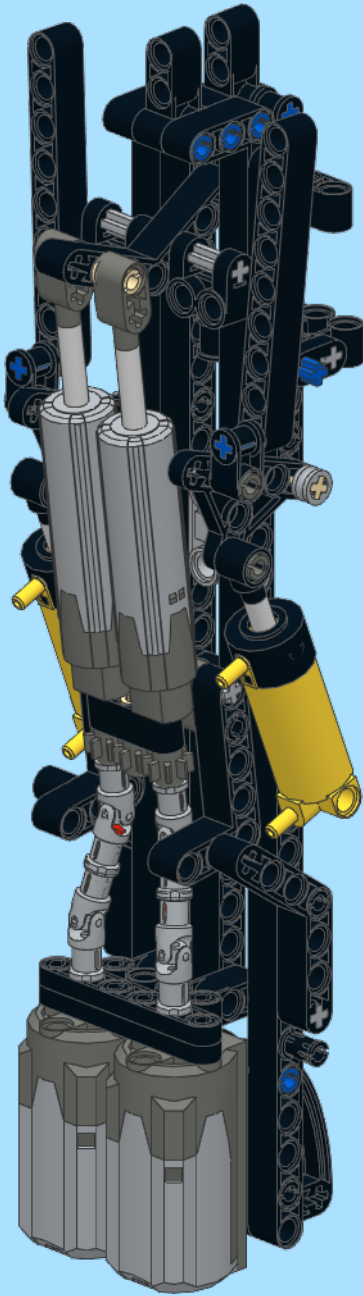
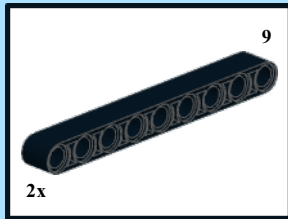
18



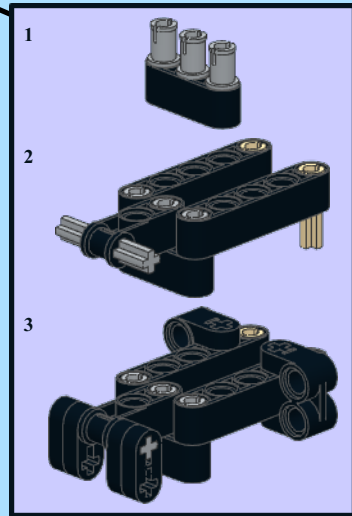
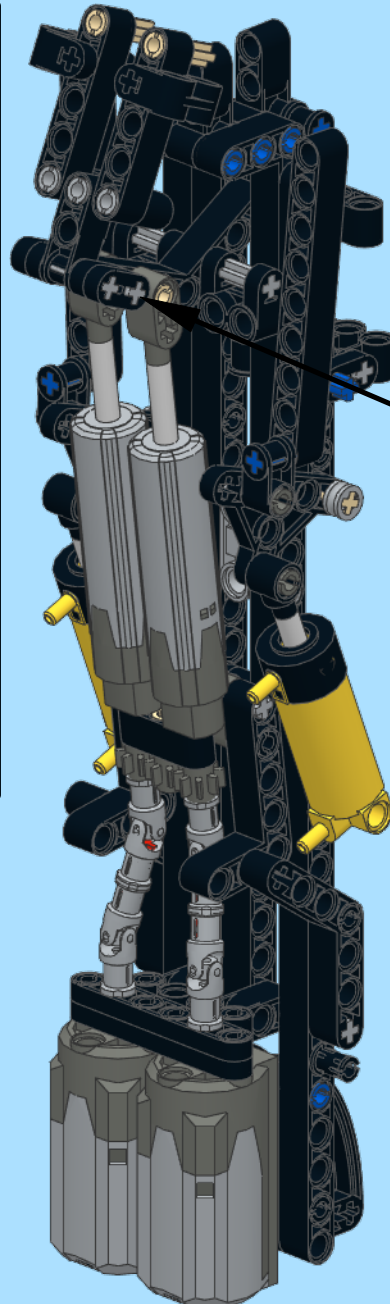
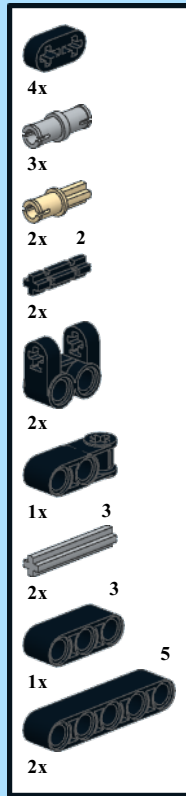
19



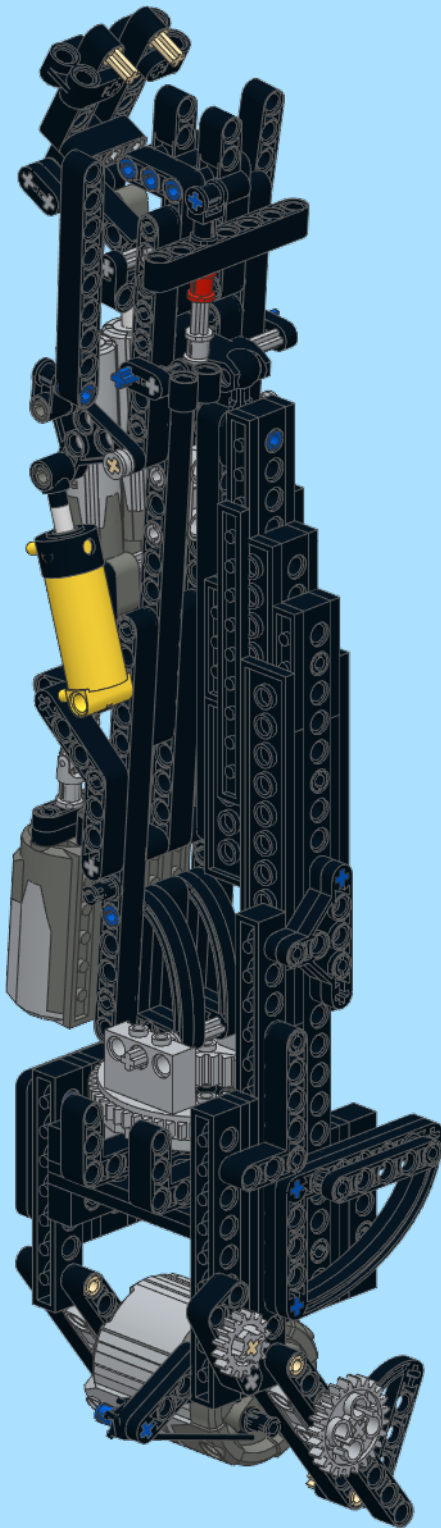
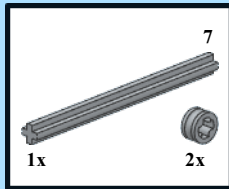
20



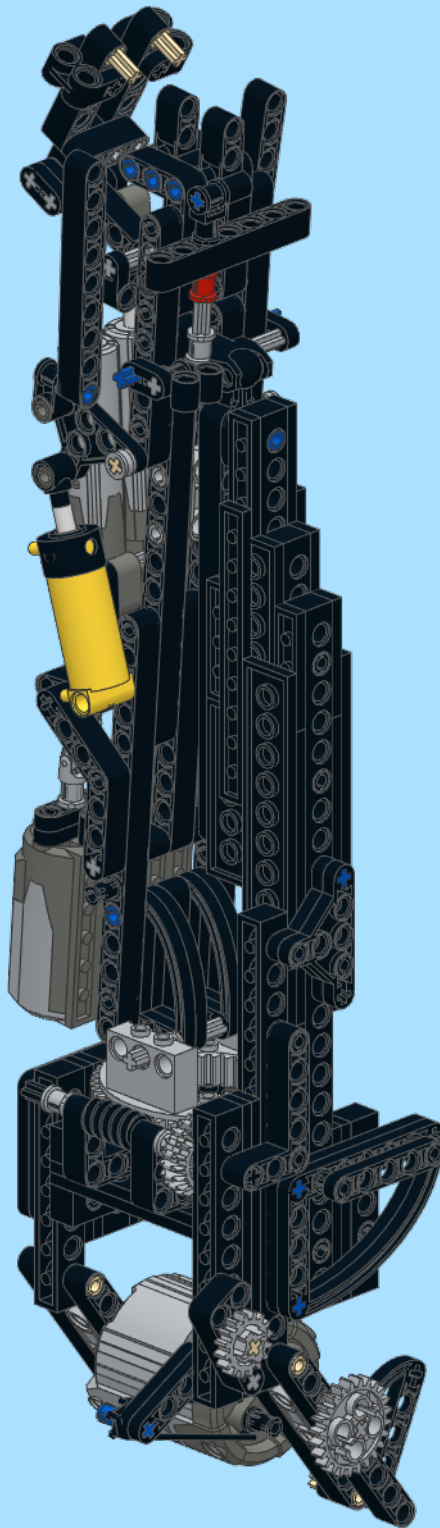
21



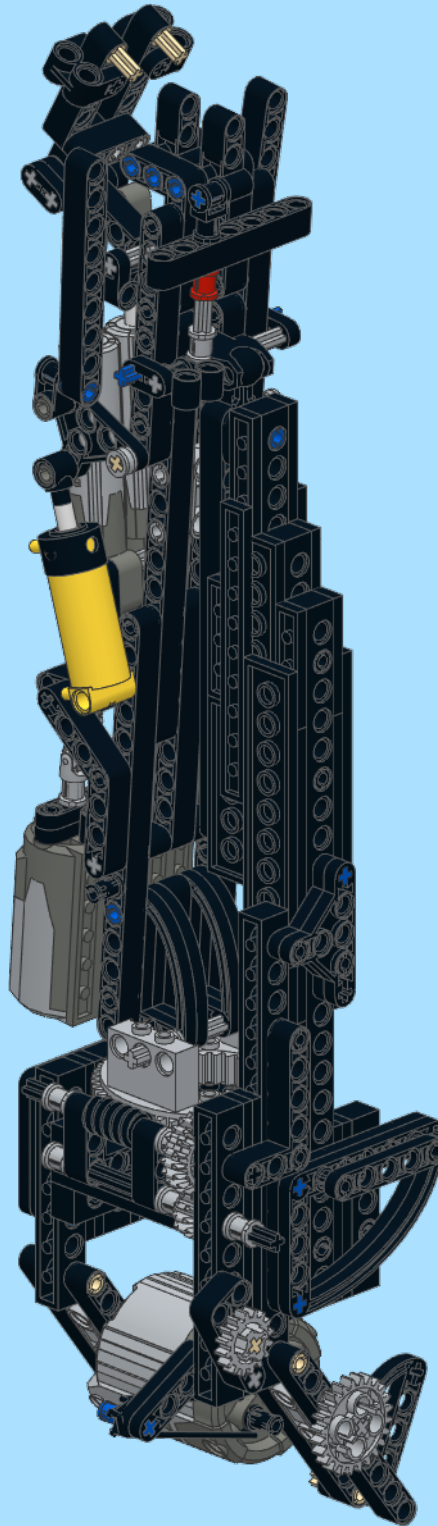
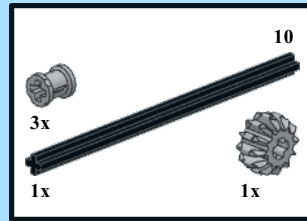
2



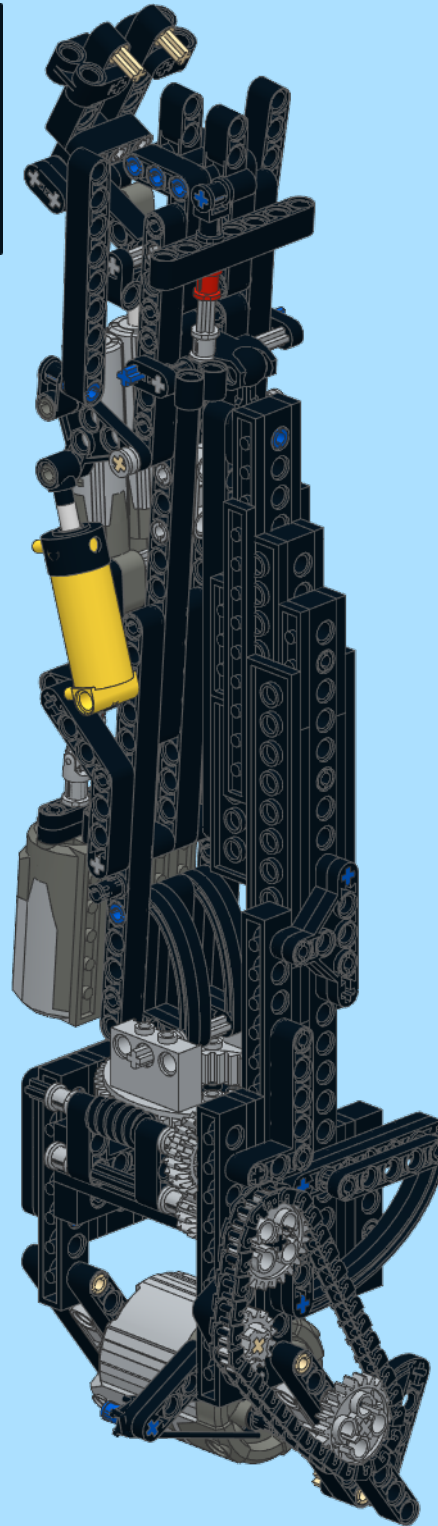
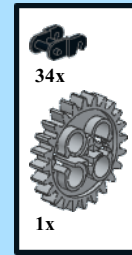
3

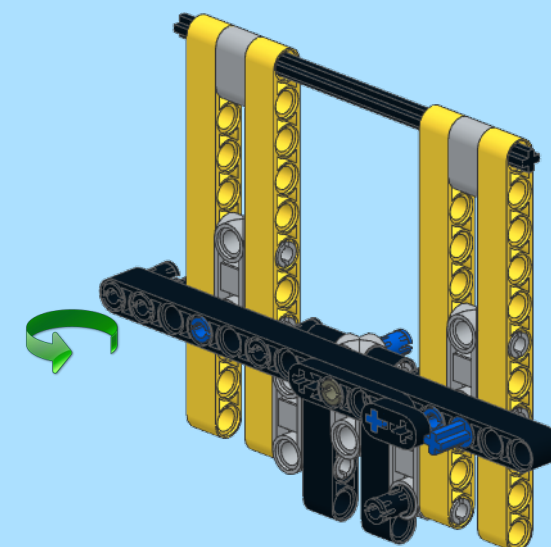
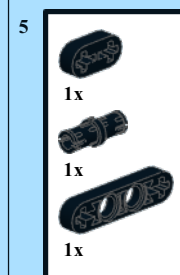
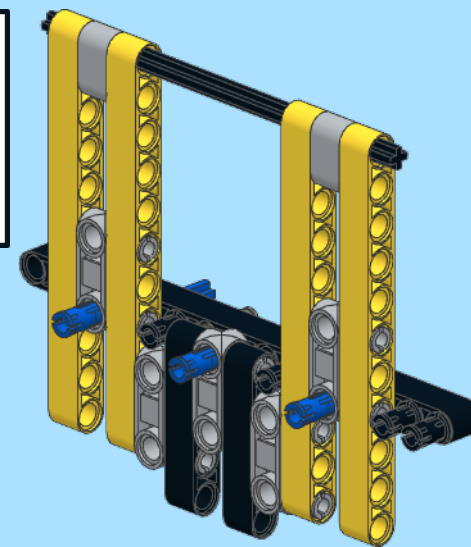
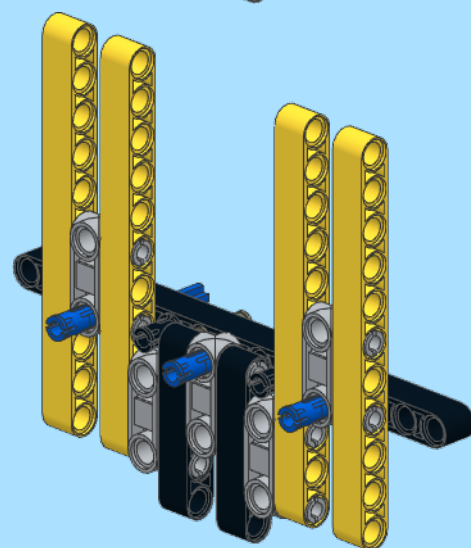
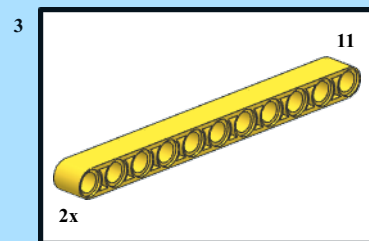
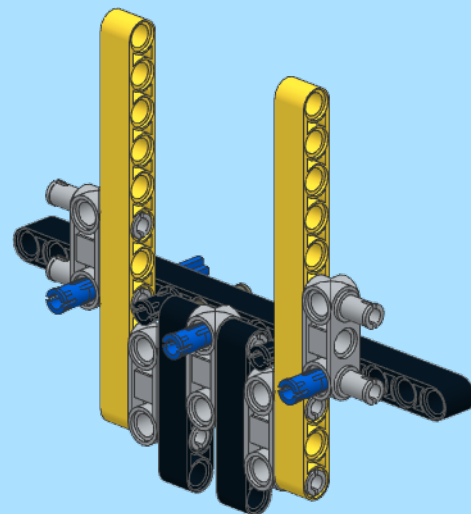
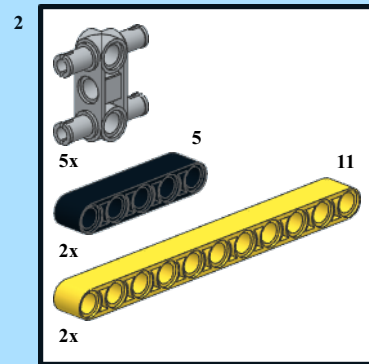
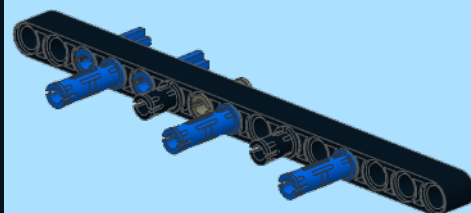
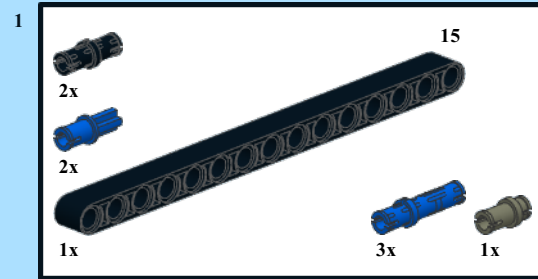


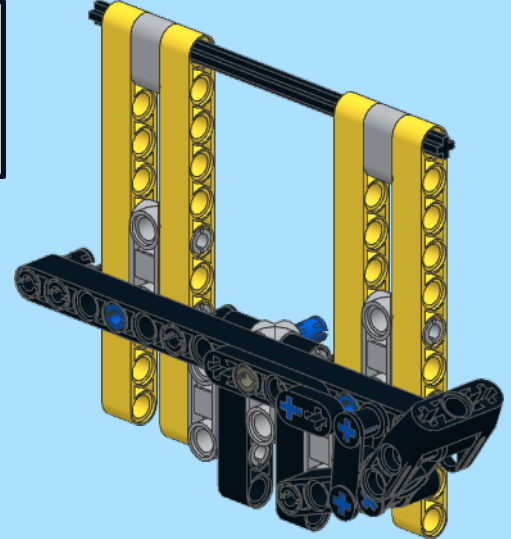
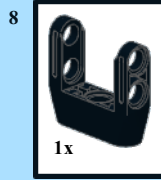
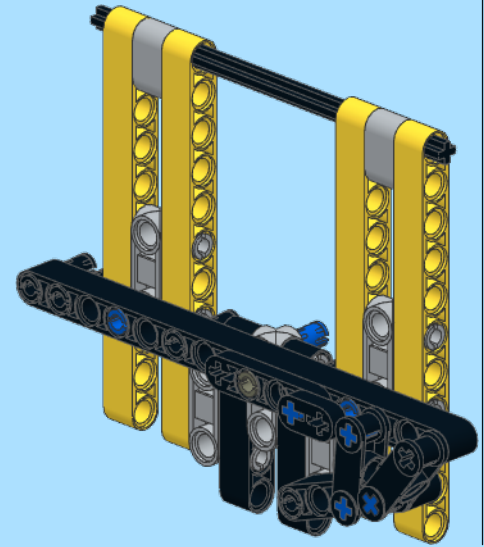
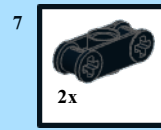
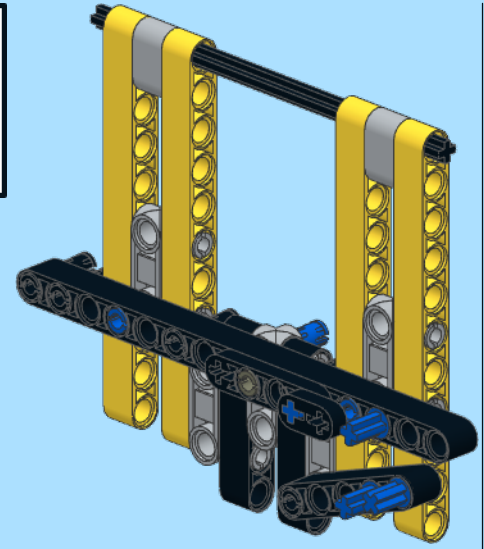
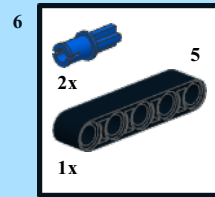
4

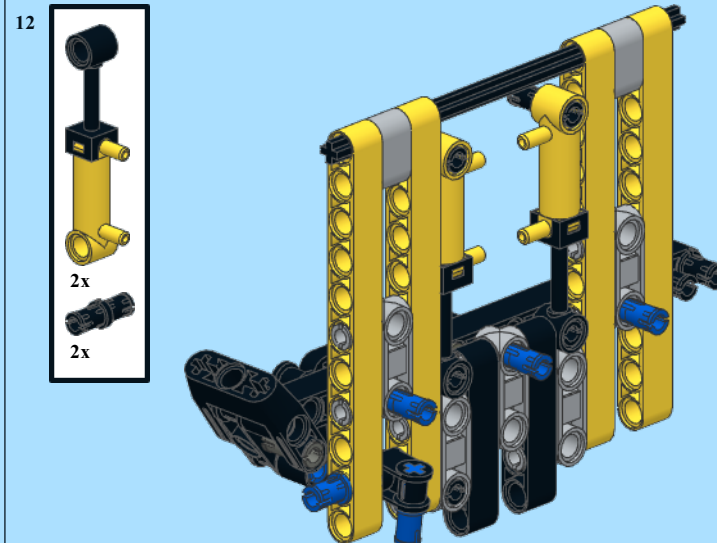
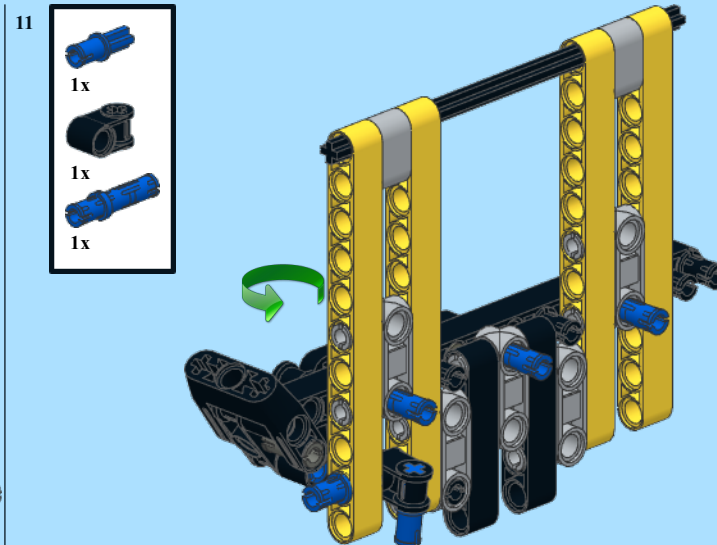
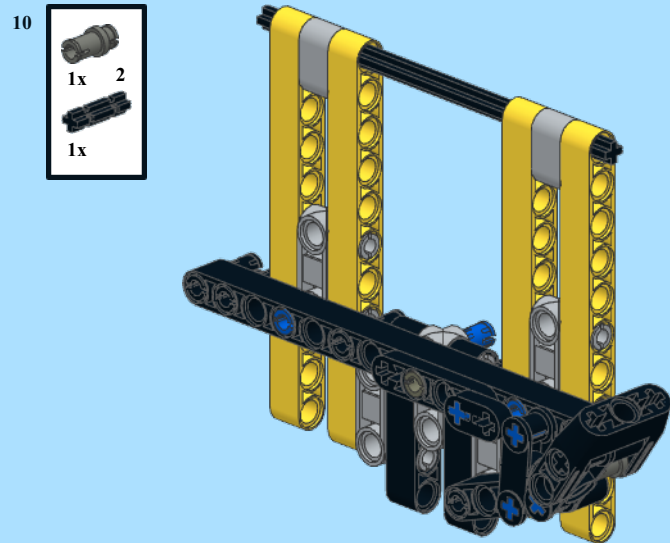
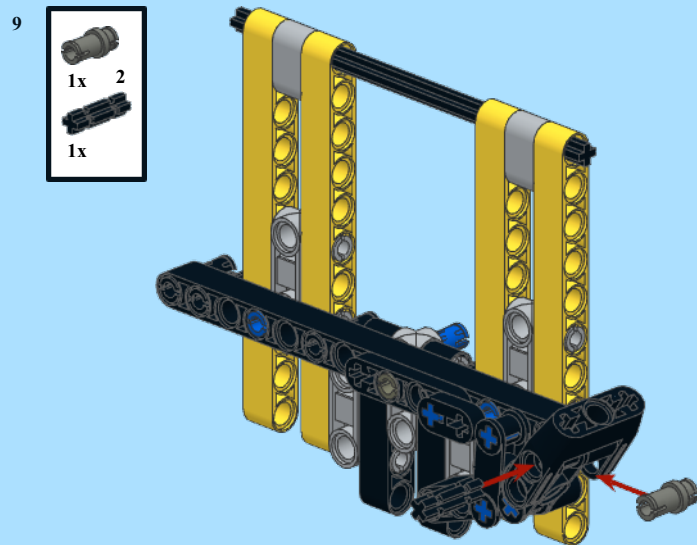


5

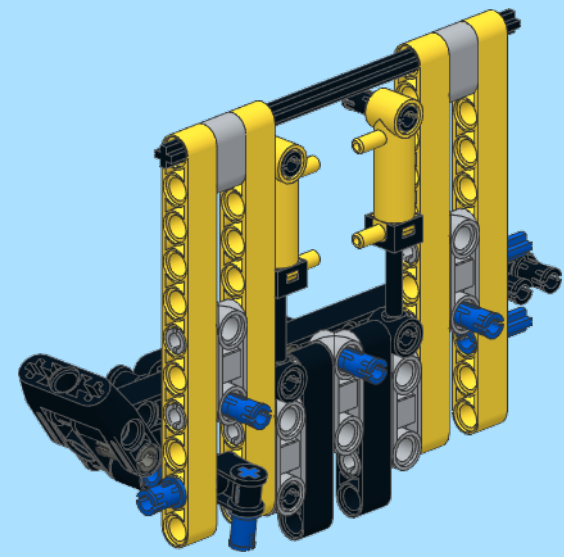




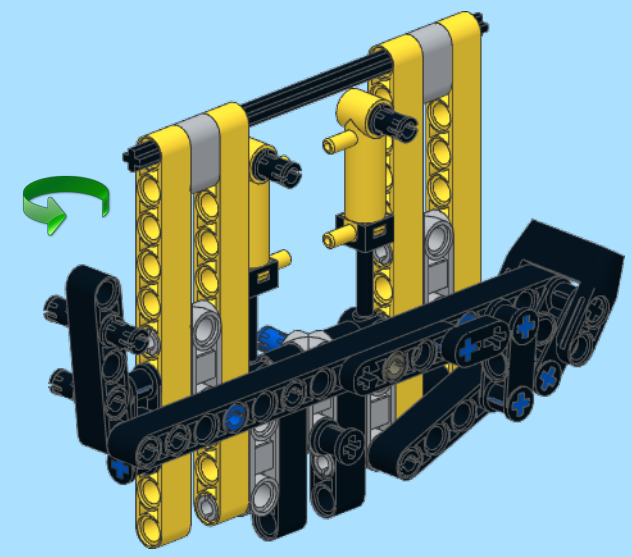
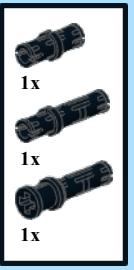




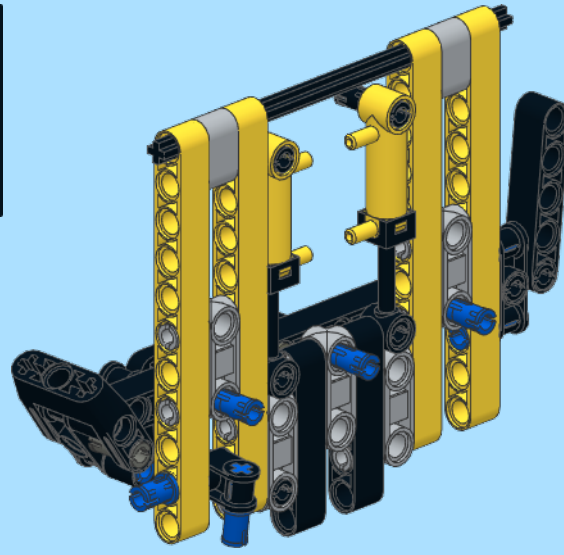
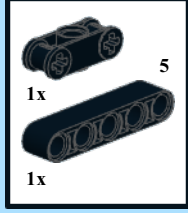
13



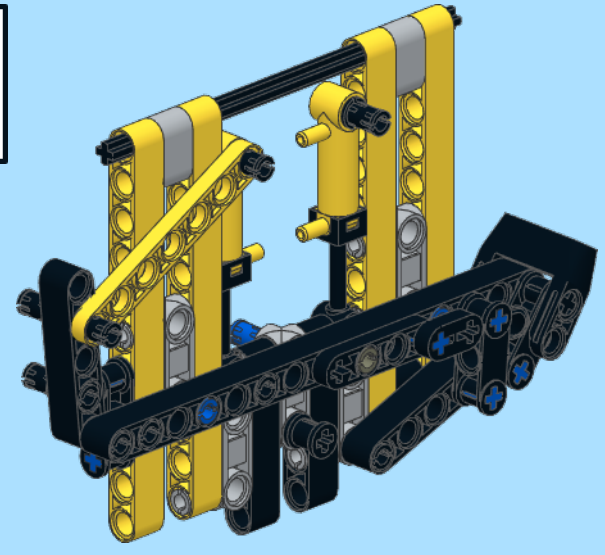
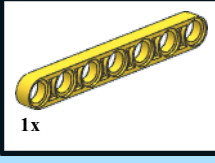
15

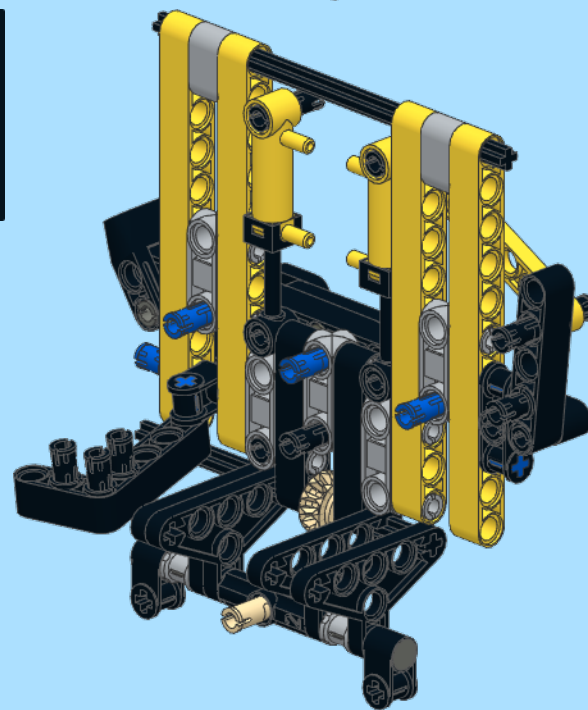
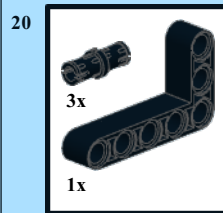
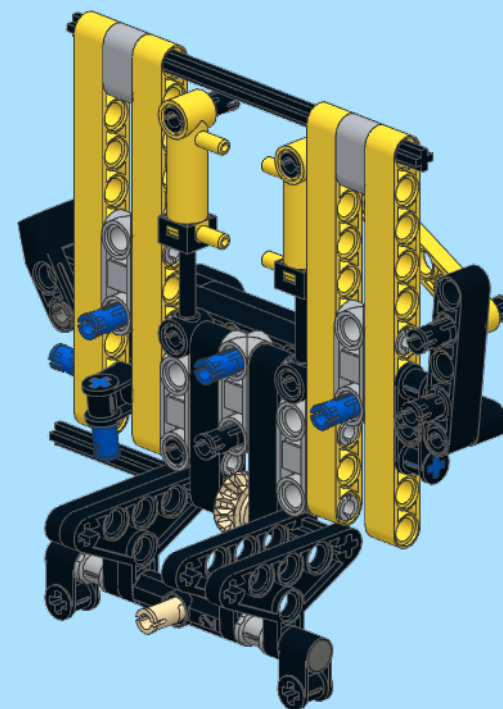
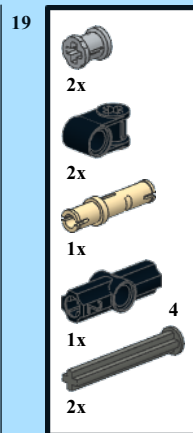
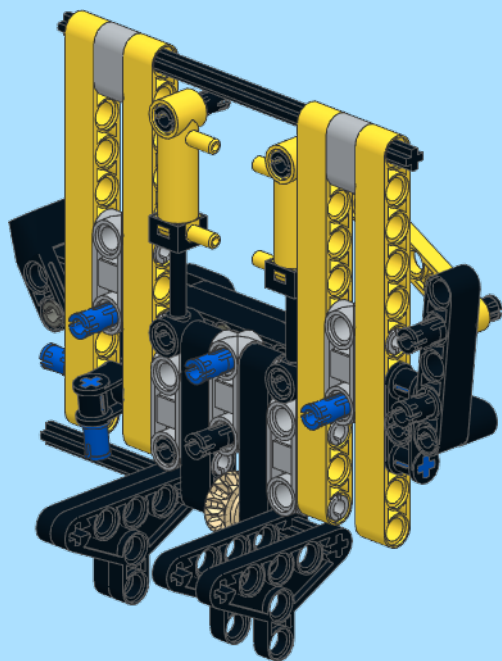
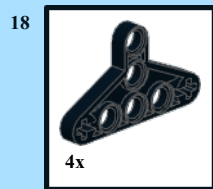
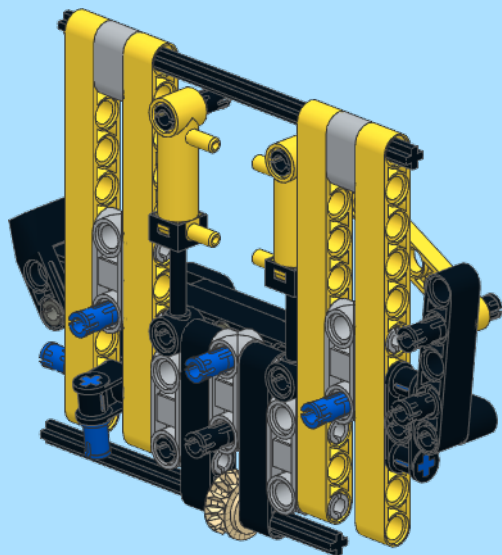


14

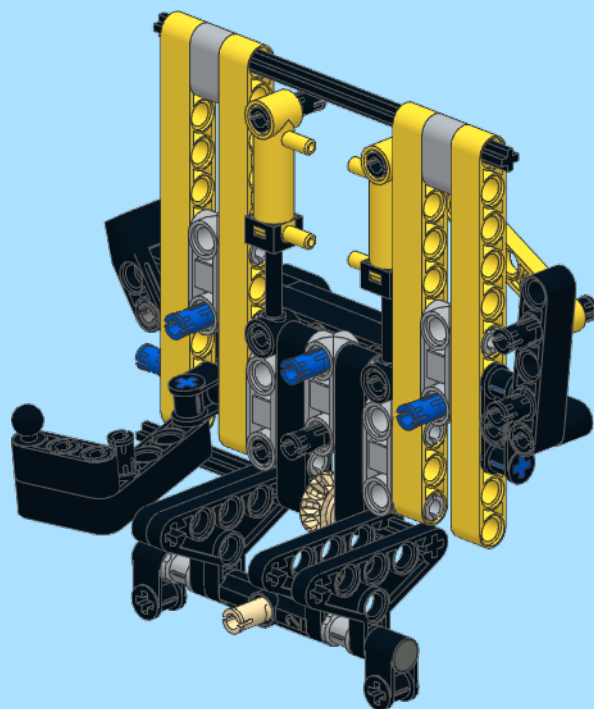
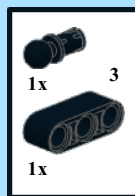


16

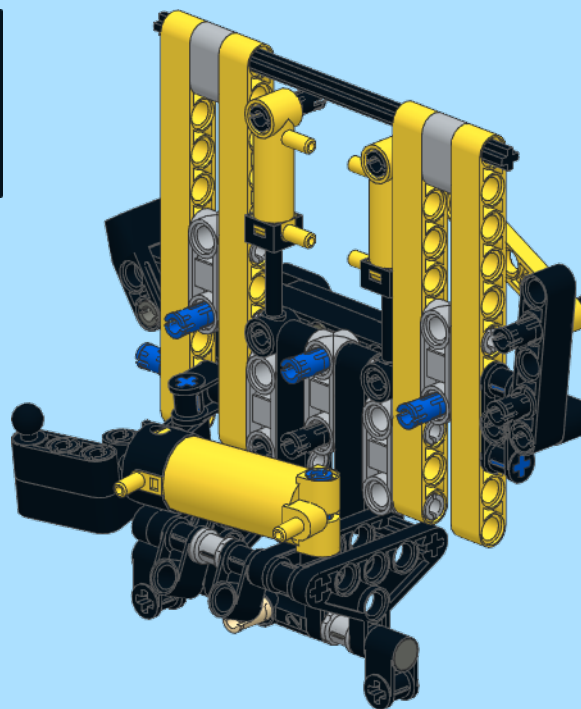
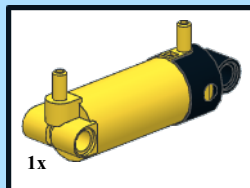




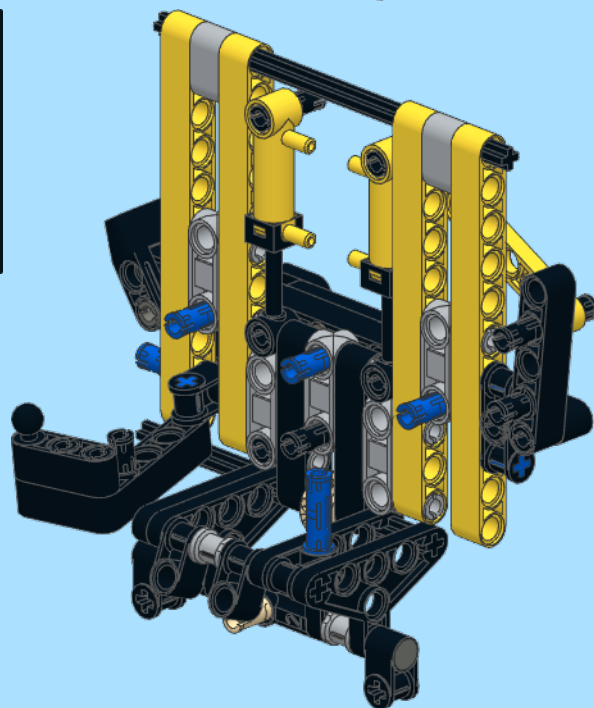
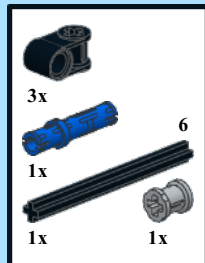
21



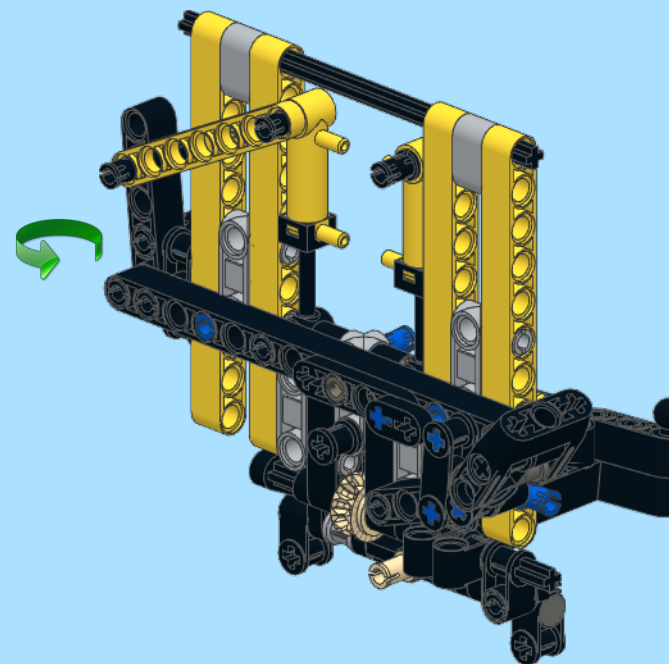
23



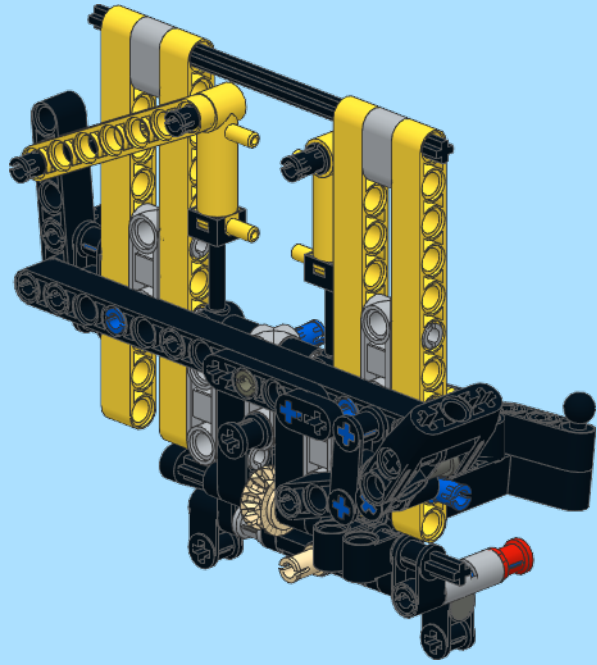
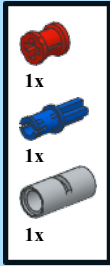
22



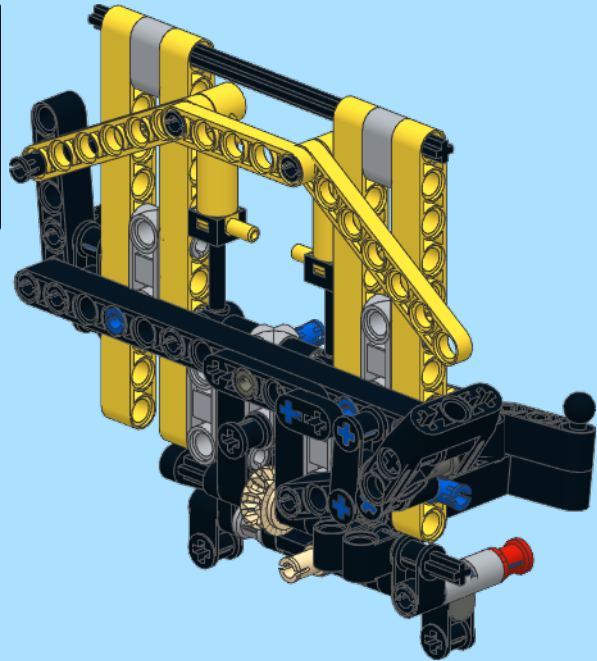
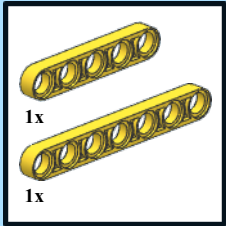
24

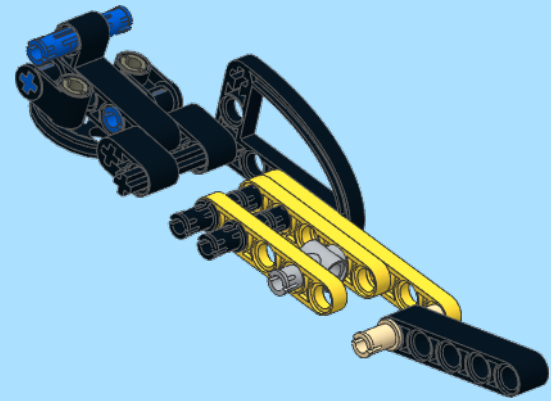
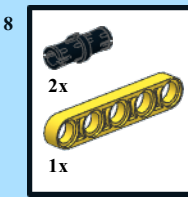
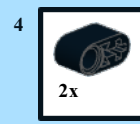
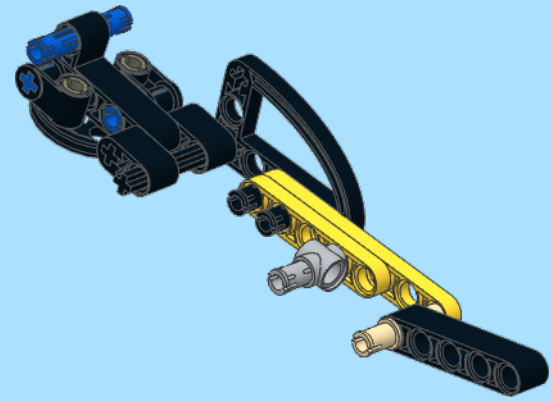
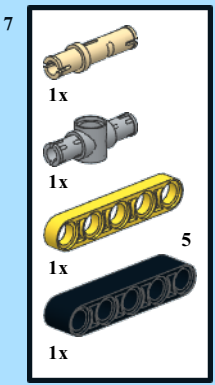
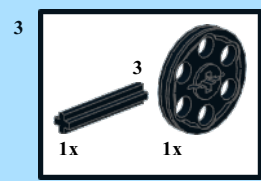
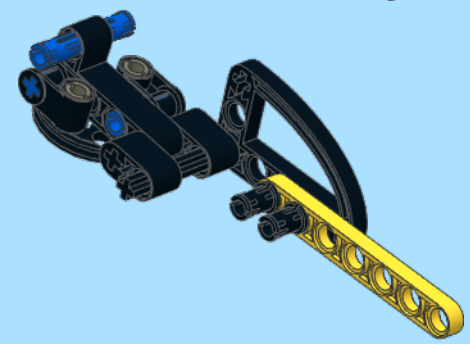
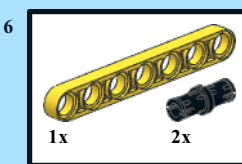
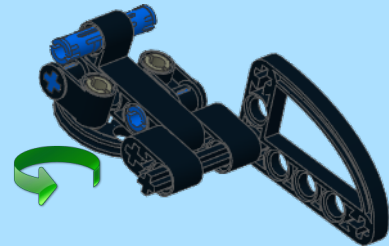
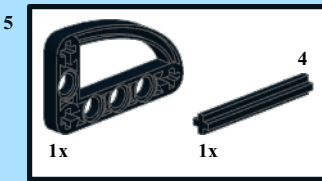
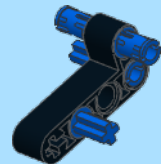
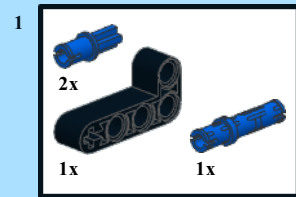


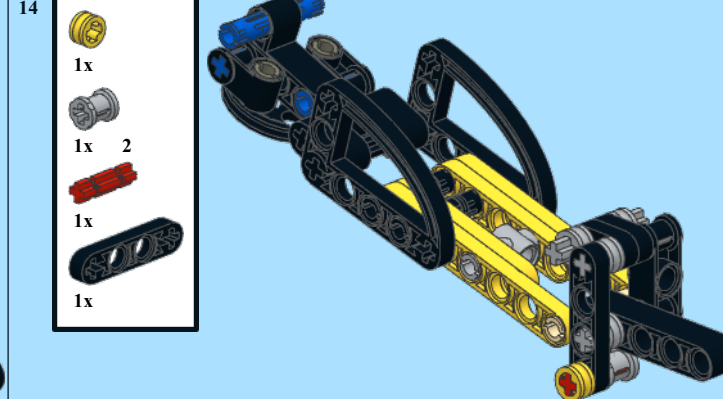
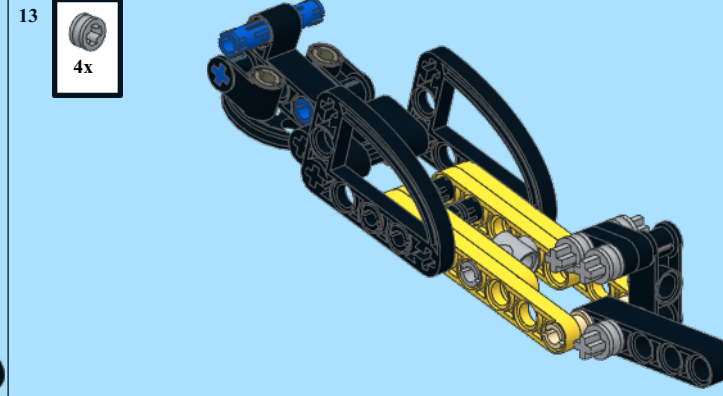
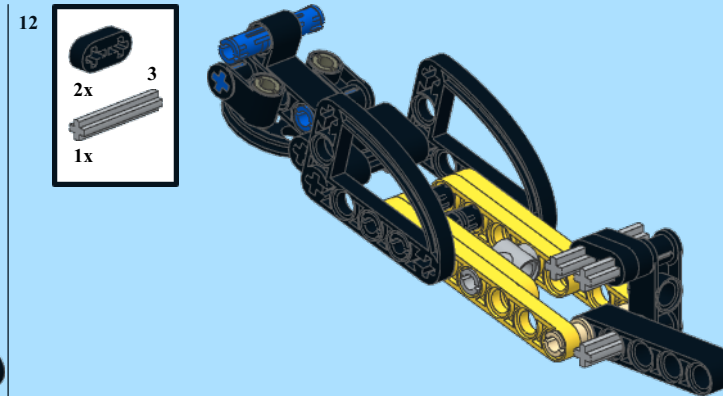
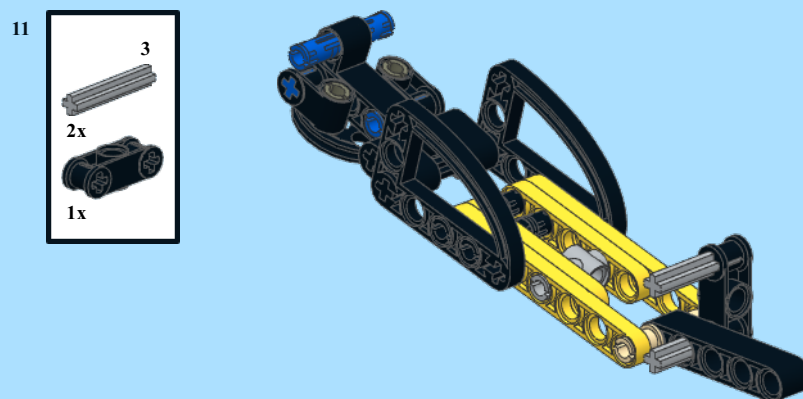
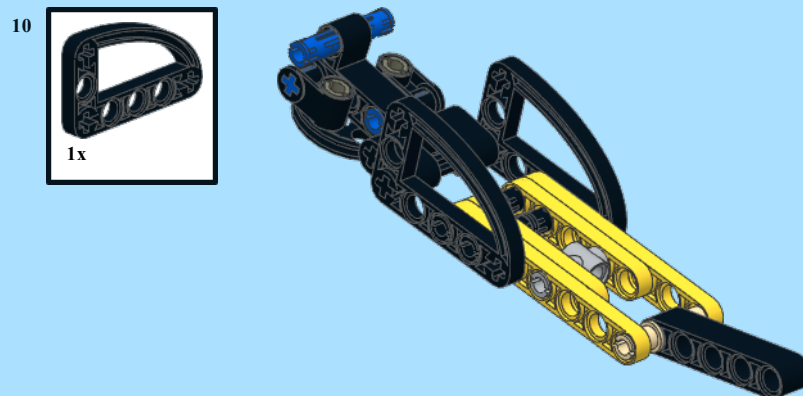
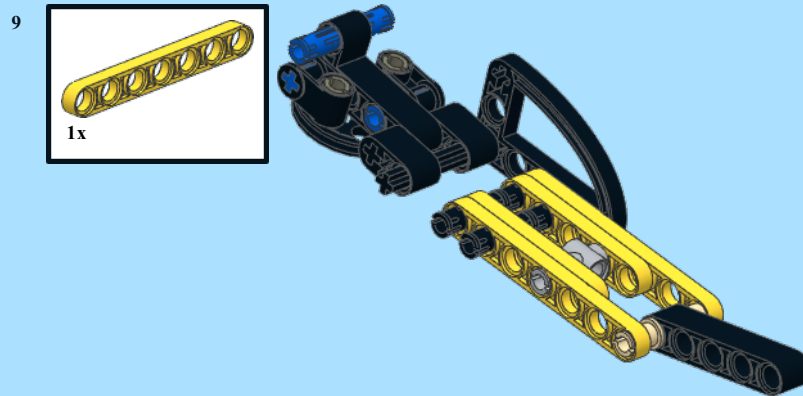
25

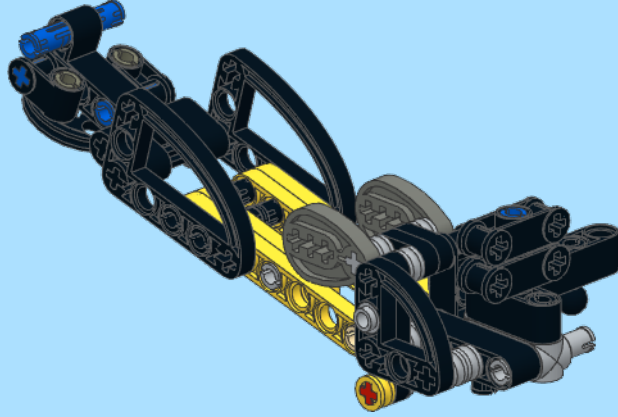
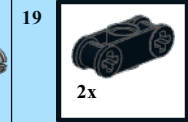
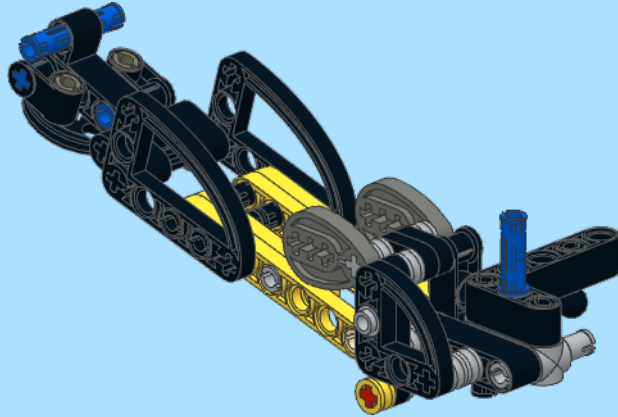
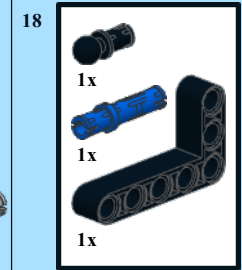
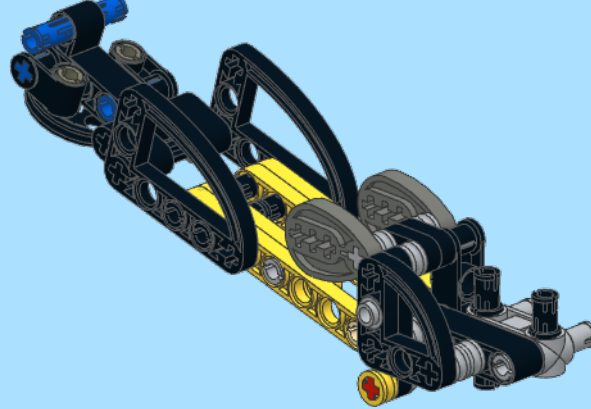
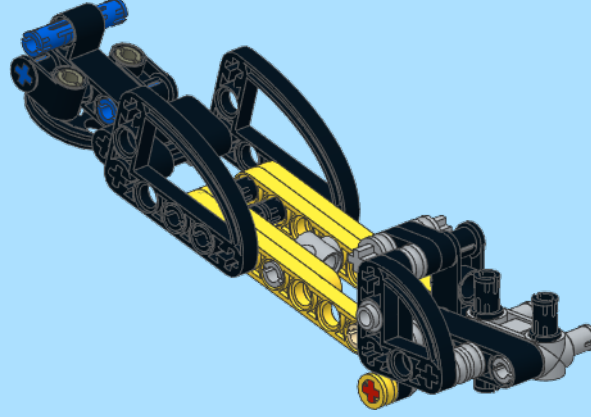
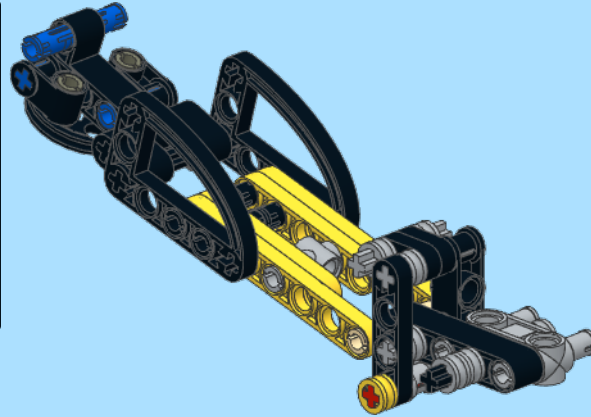
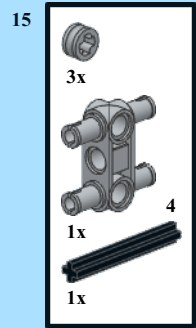


26

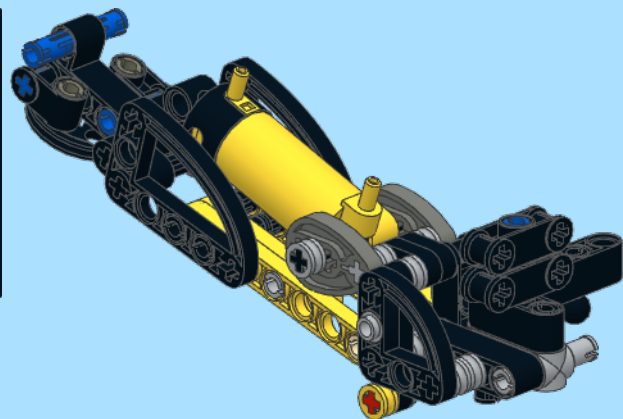
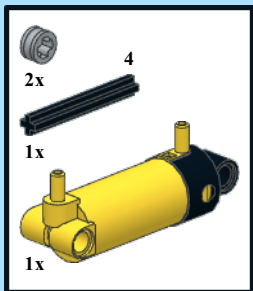




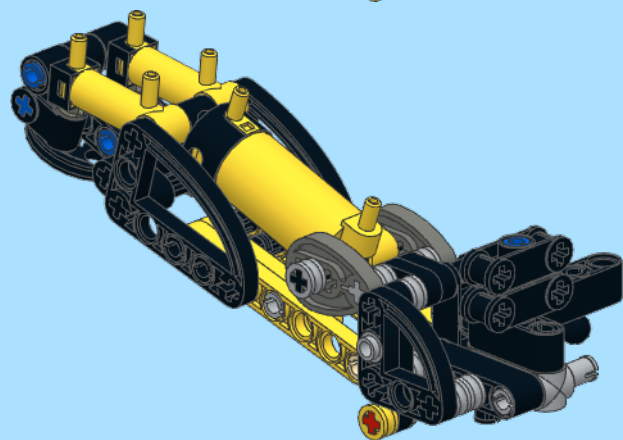
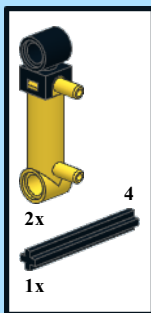




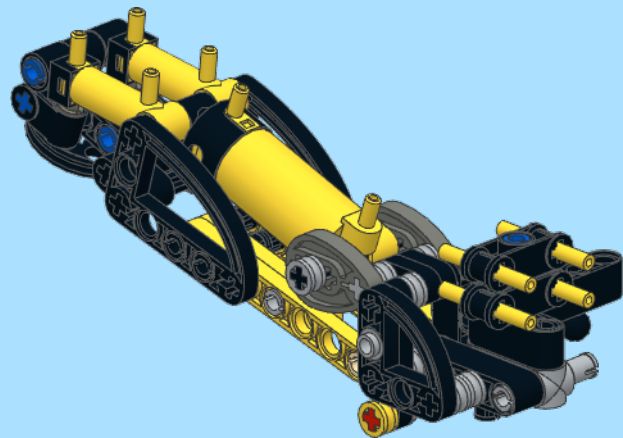
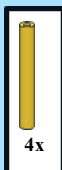
20

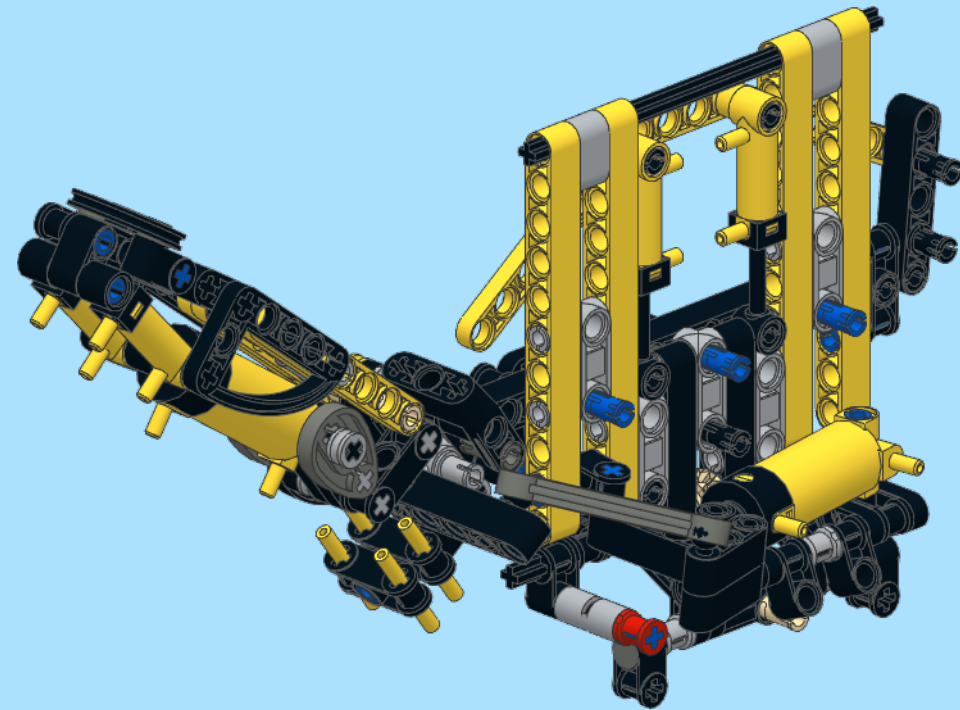
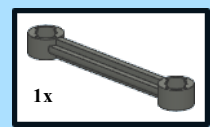


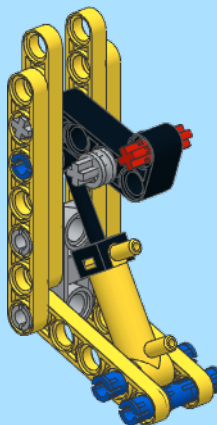
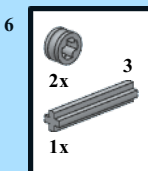
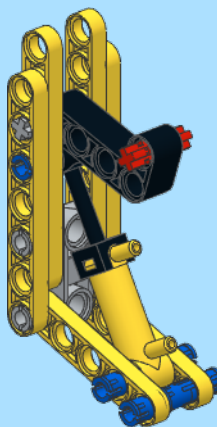
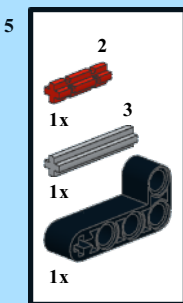
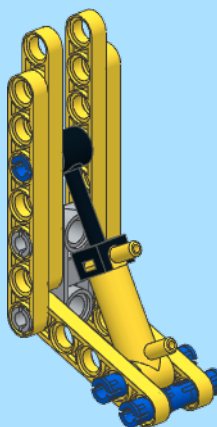
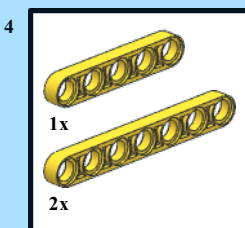
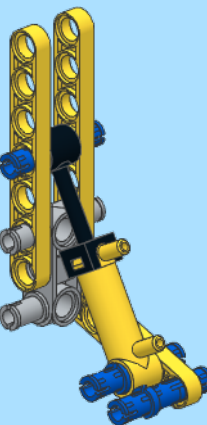
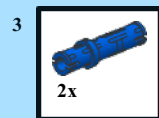
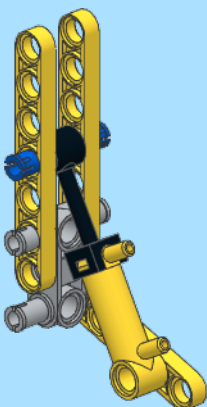
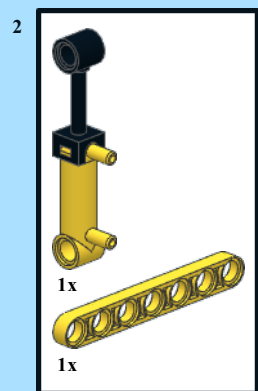
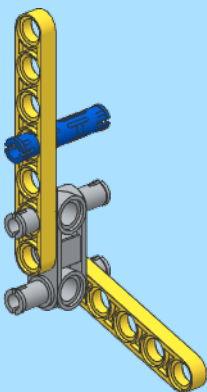
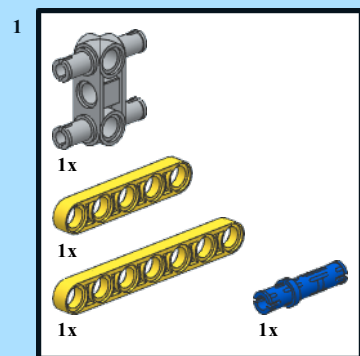
21

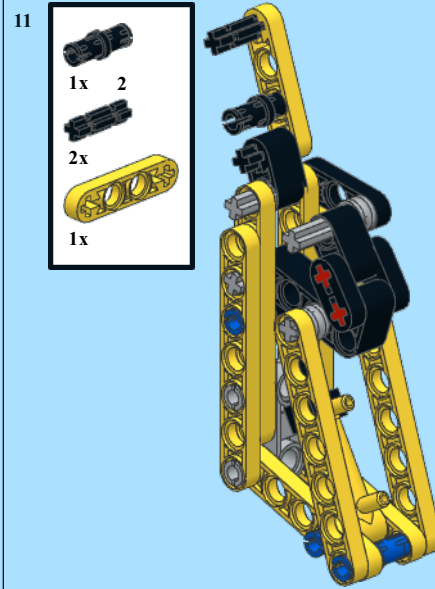
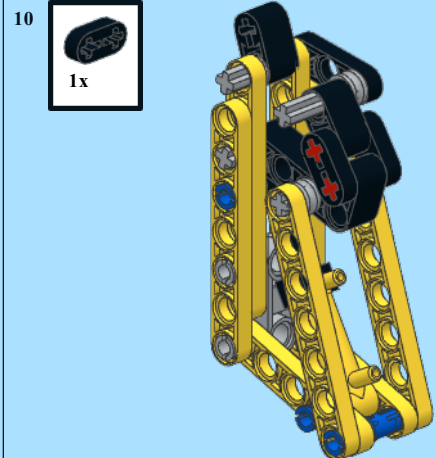
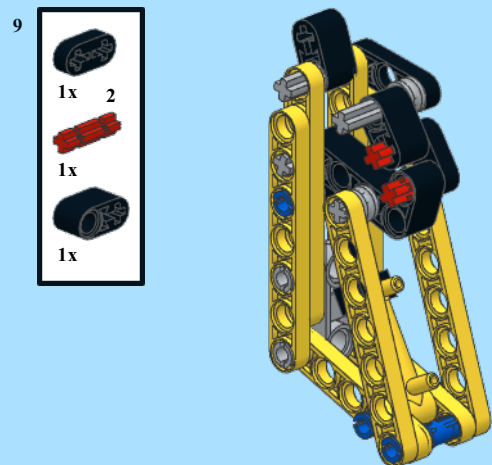
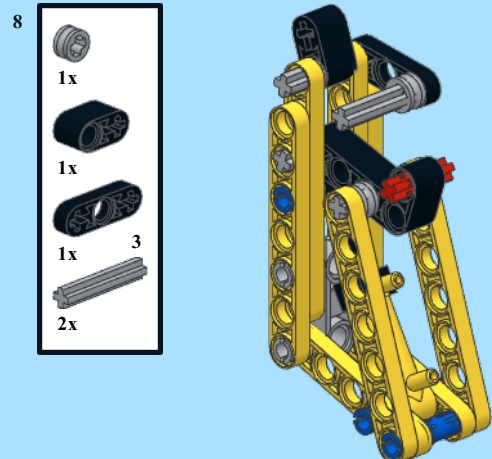
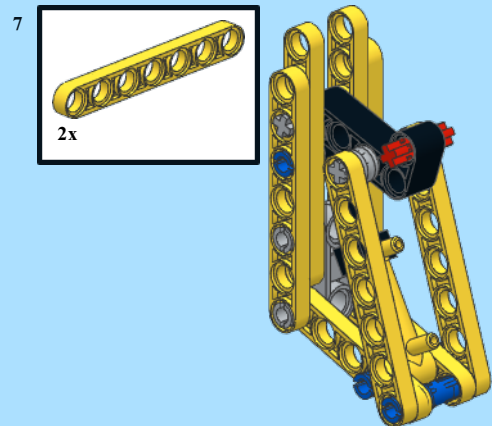


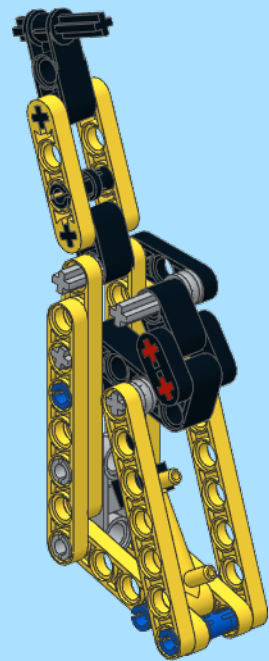
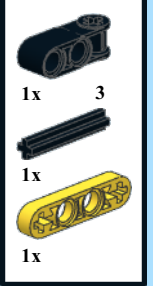
22



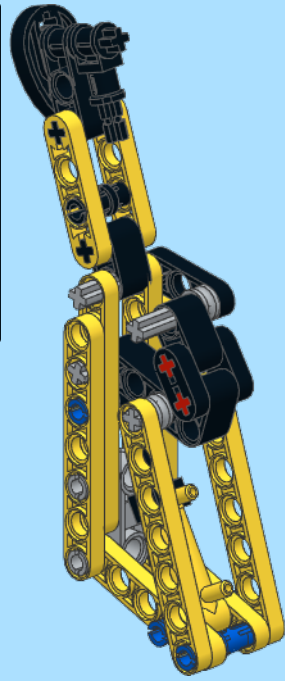
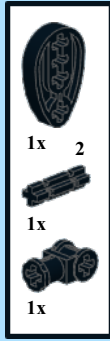




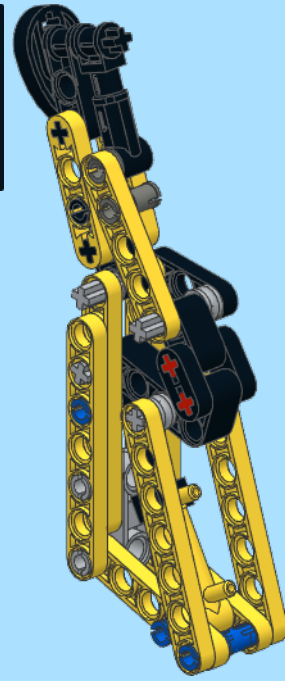
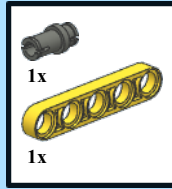




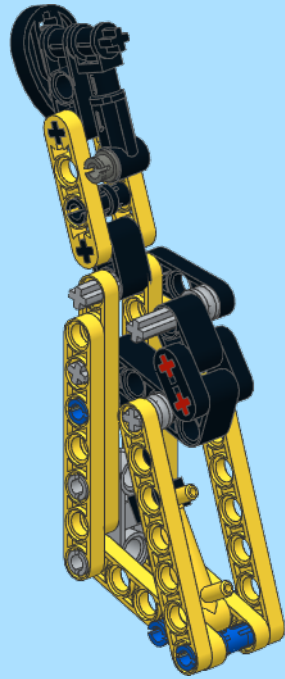
13



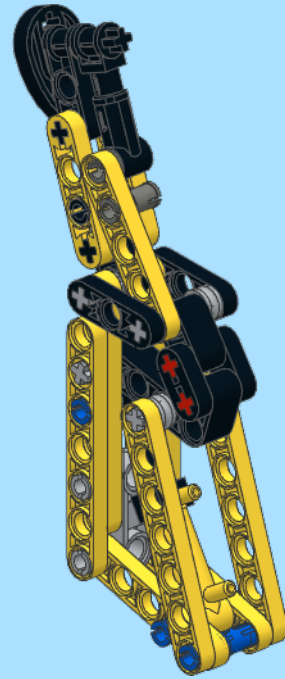
15

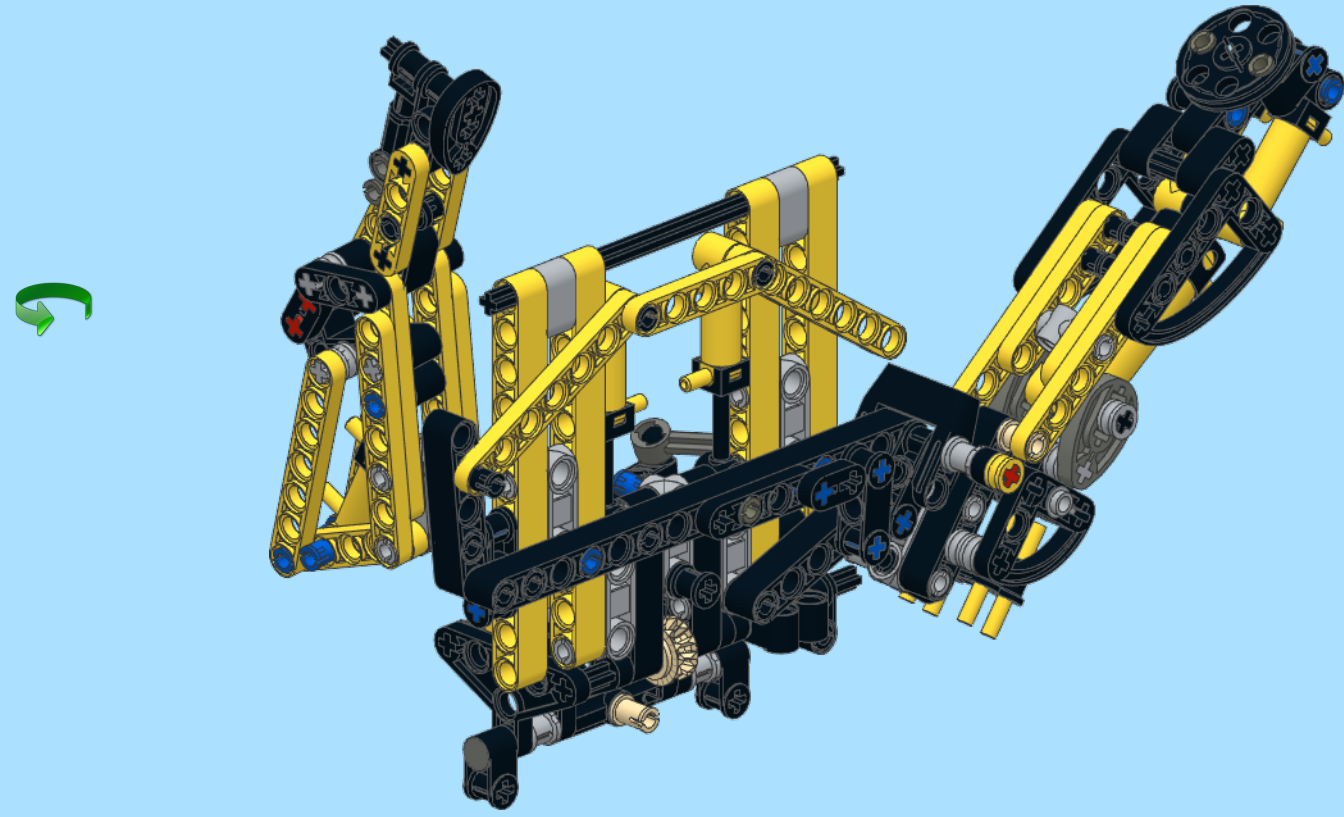


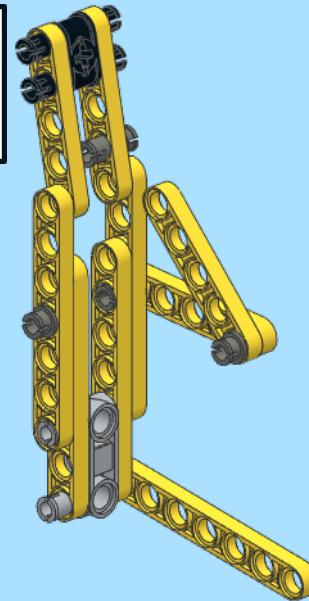
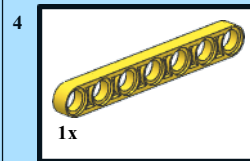
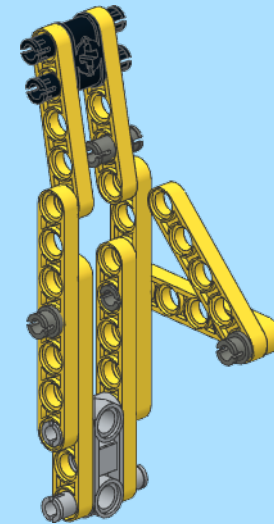
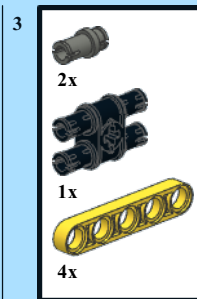
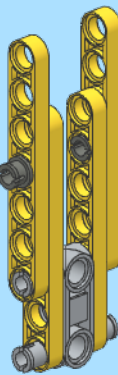
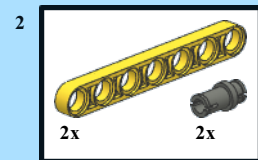
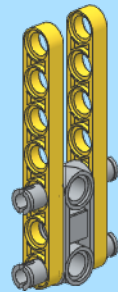
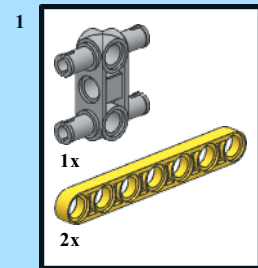
14

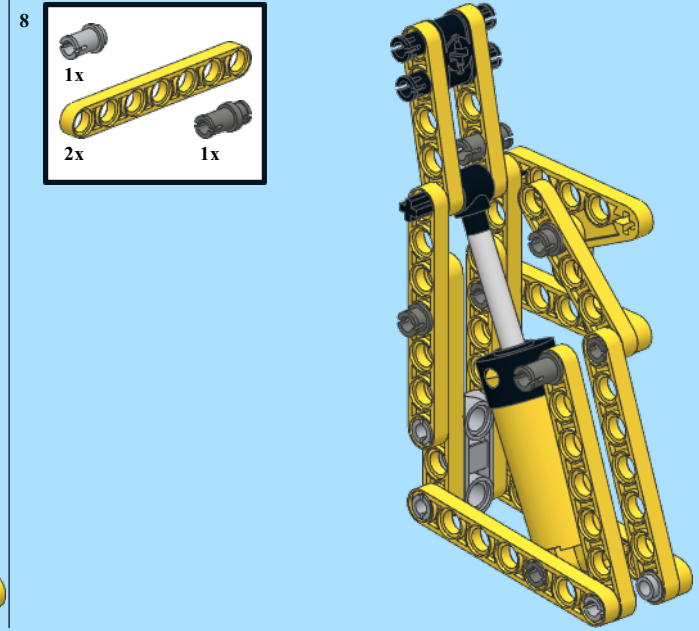
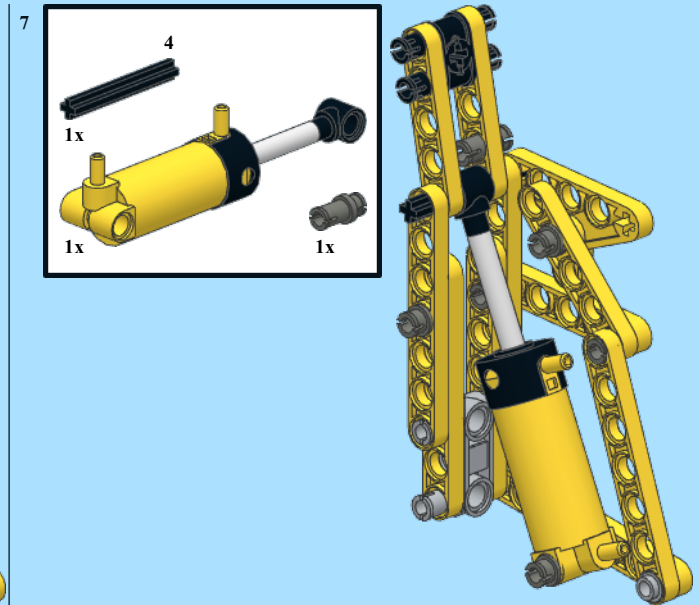
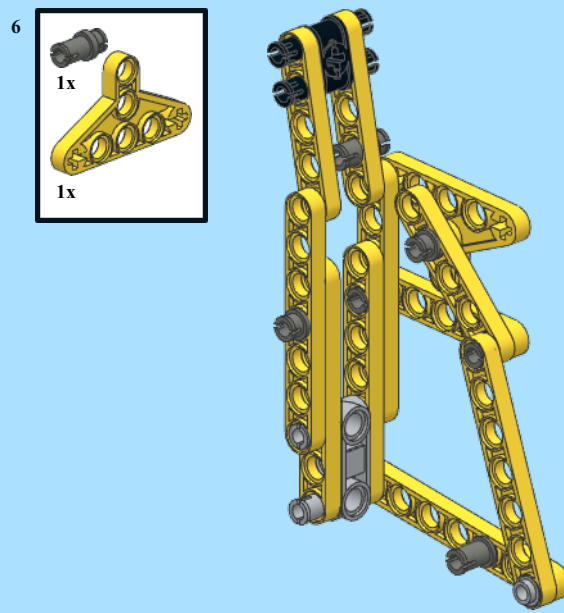
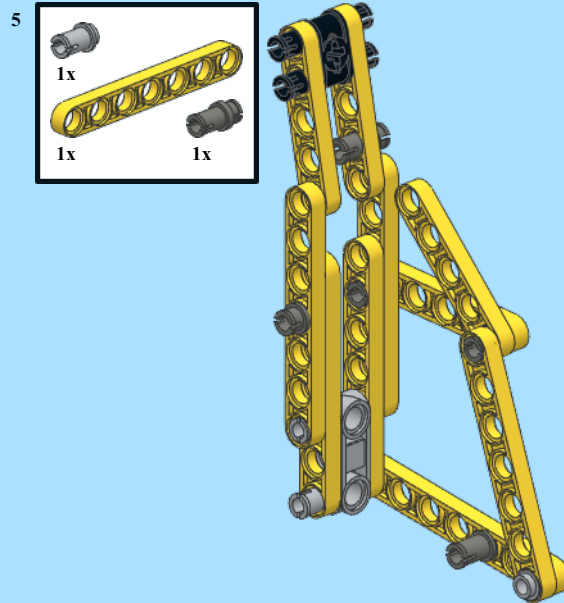


16

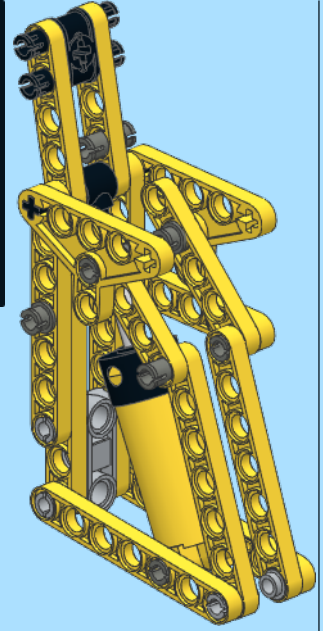
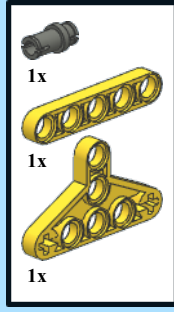




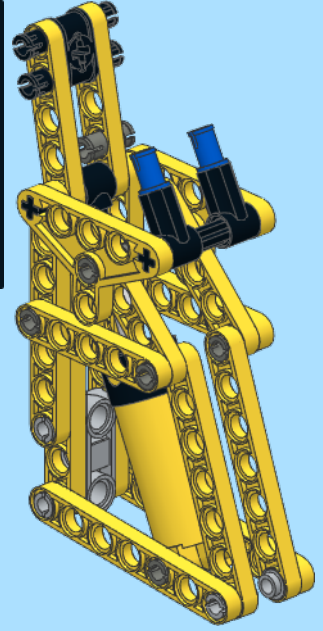
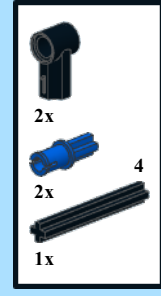




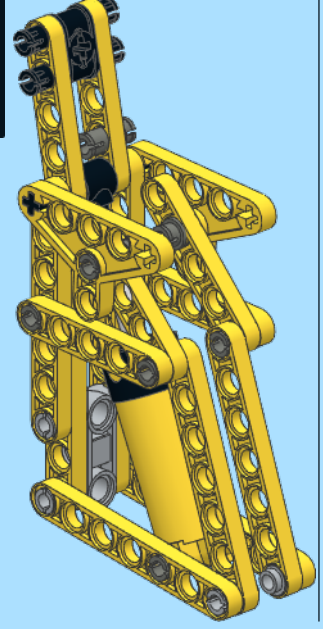
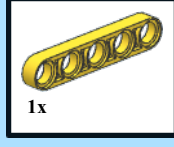
9



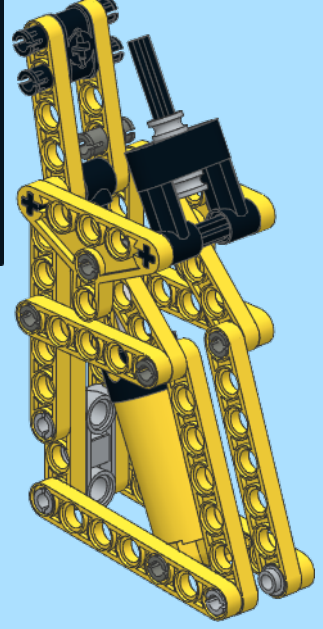
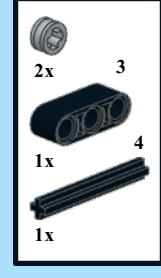
11



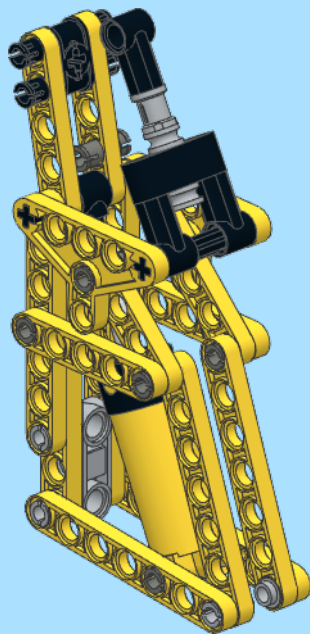
10



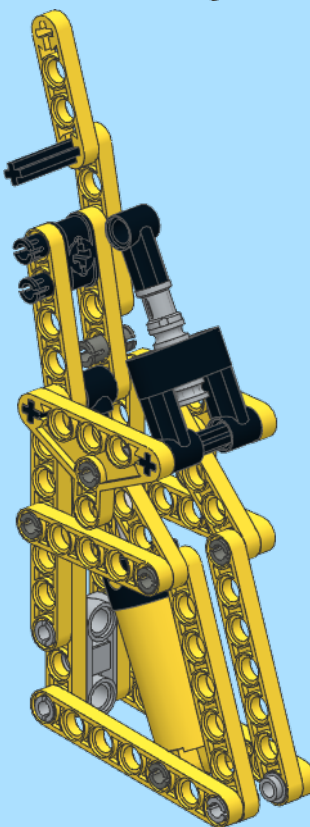
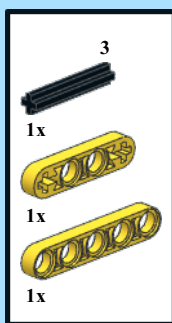
12



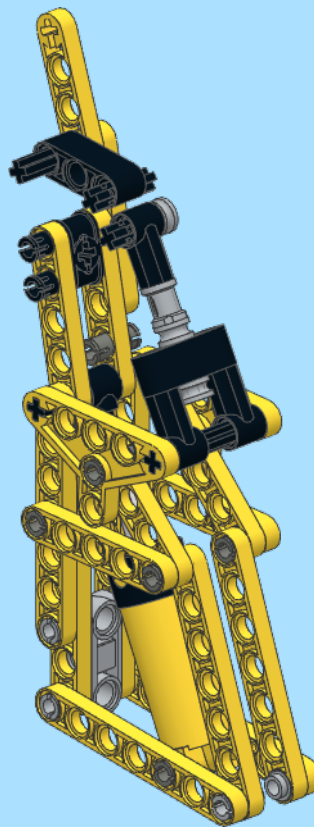
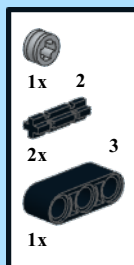
13



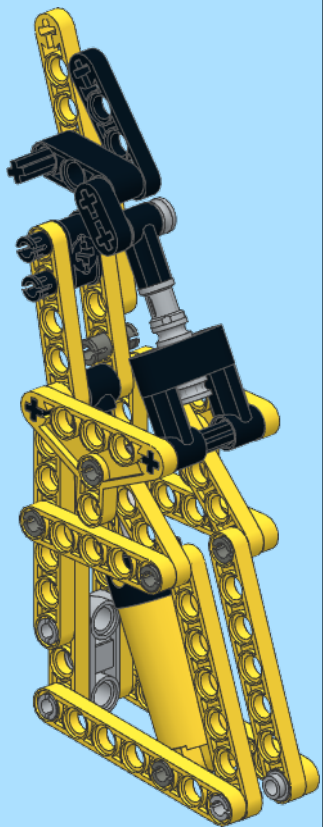
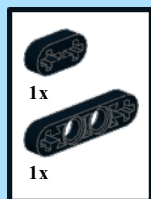
14



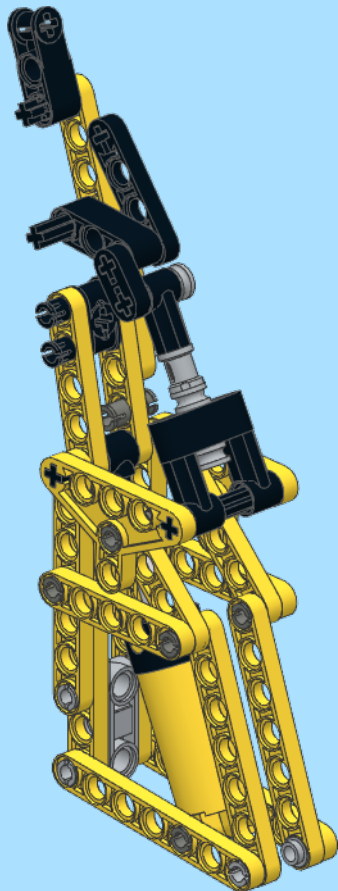
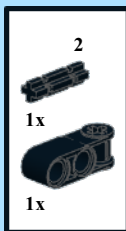
15



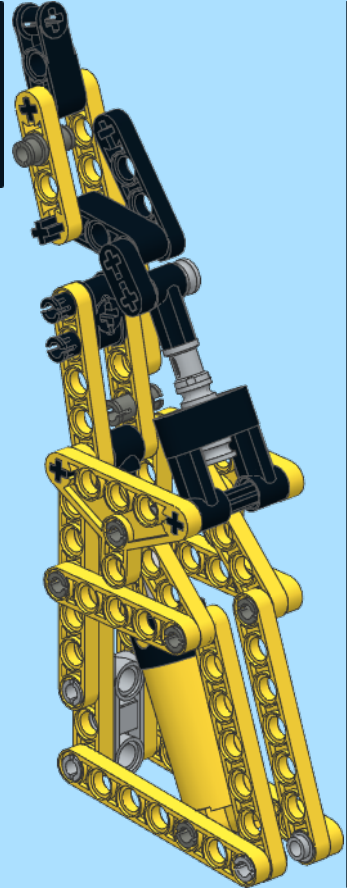
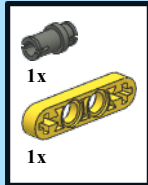
16



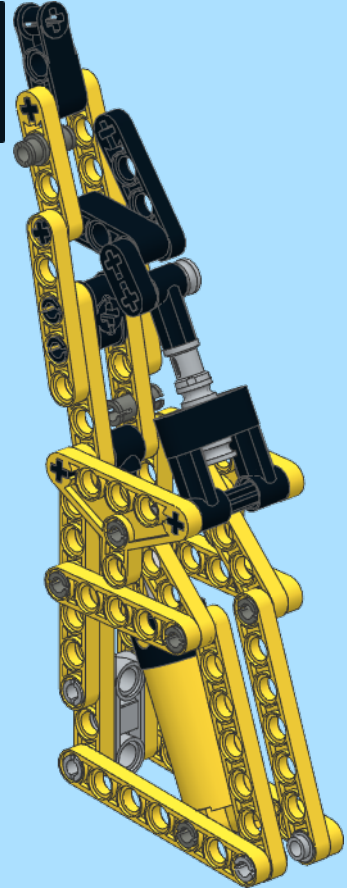
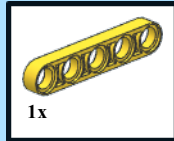
17



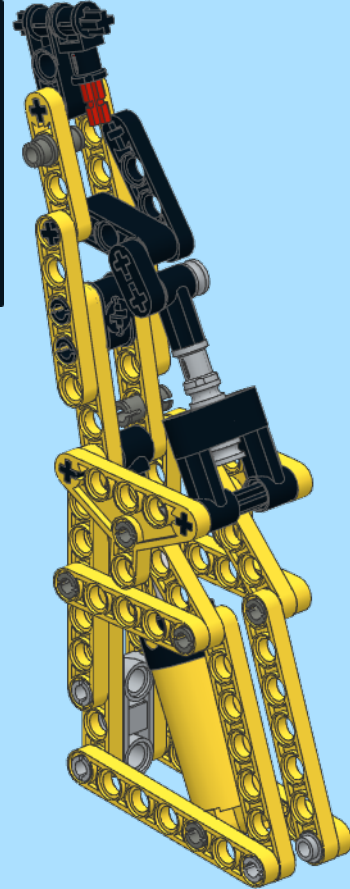
18



19



20



21

