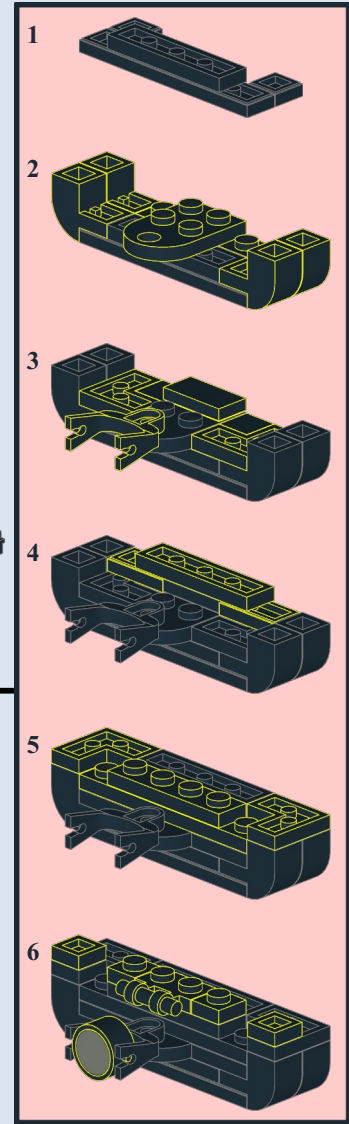
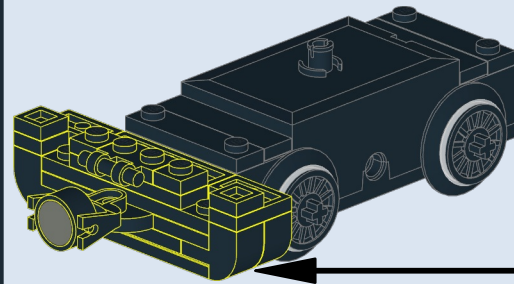
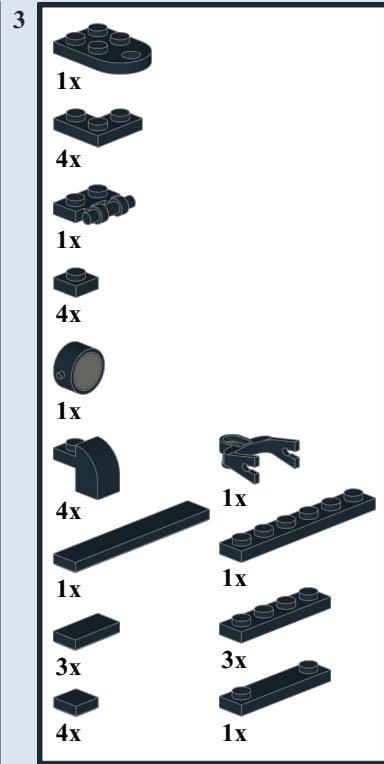
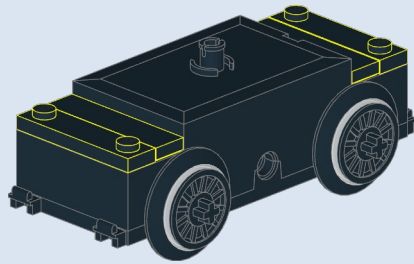
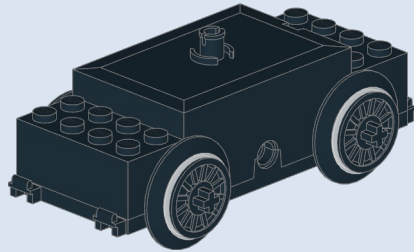
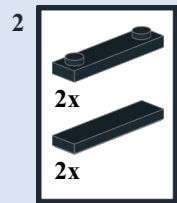
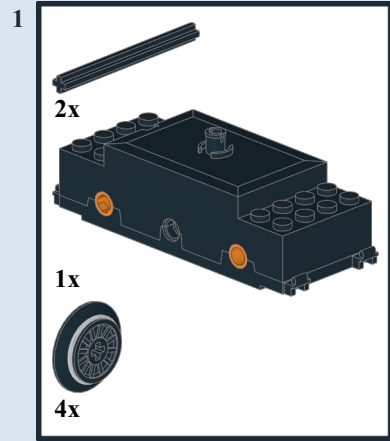


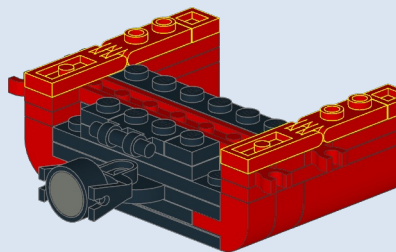
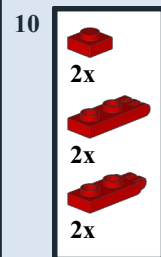
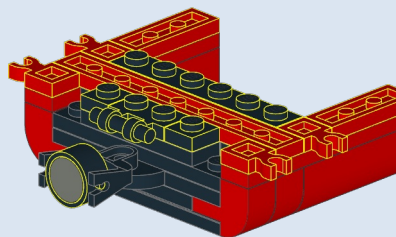
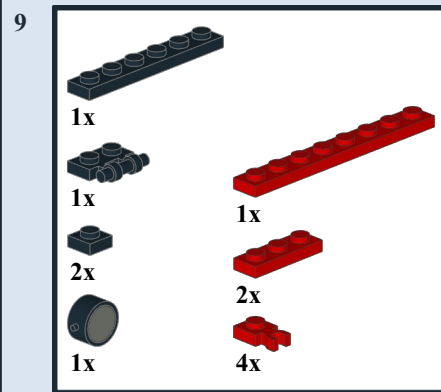
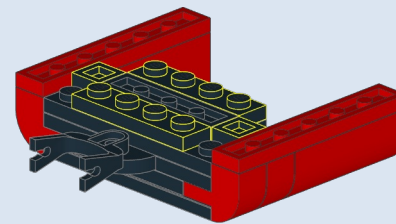
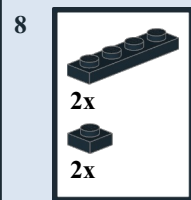
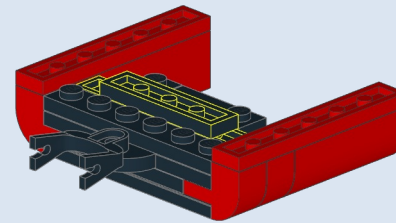
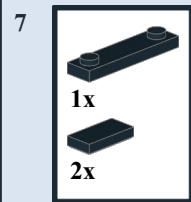
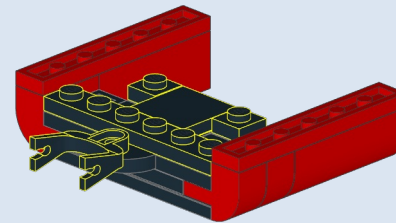
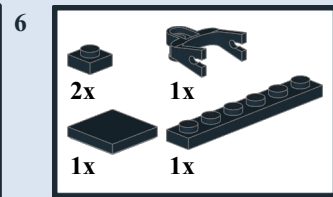
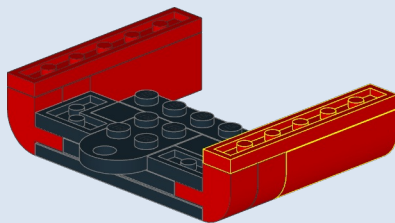
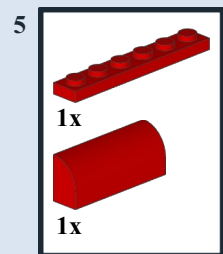
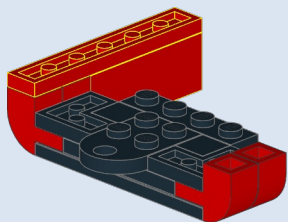
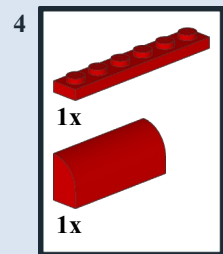
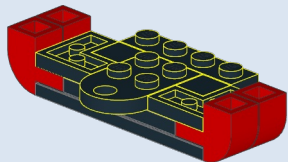
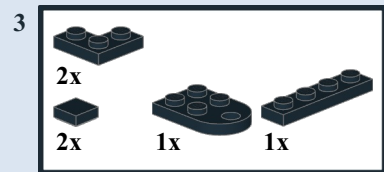
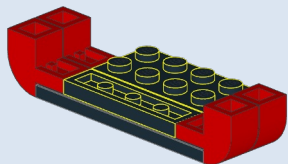
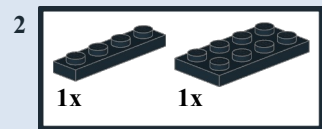
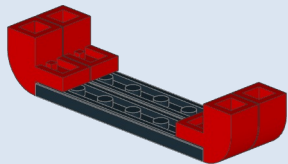
# DSB Kof



Designed by Dennis Tomsen @2012  
Version 1.1

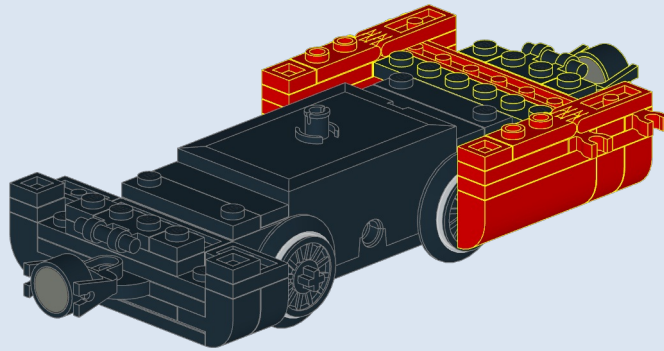
INSTRUCTION BY  
**KNUD ALBRECHTSEN**  
[www.snakebyte.dk/lego](http://www.snakebyte.dk/lego)



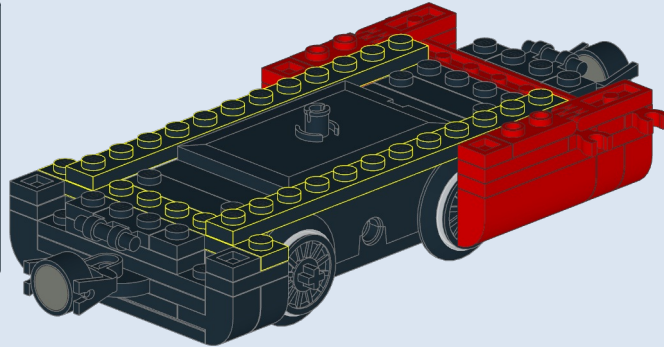
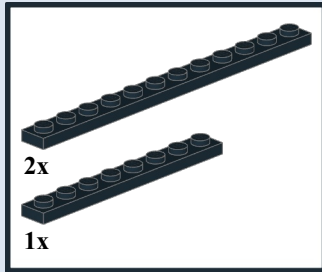




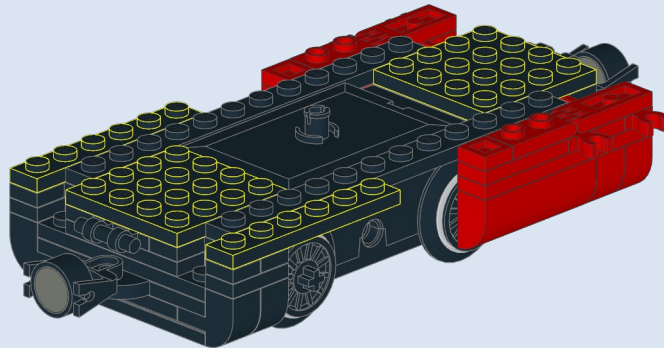
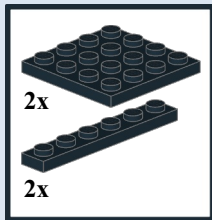
4



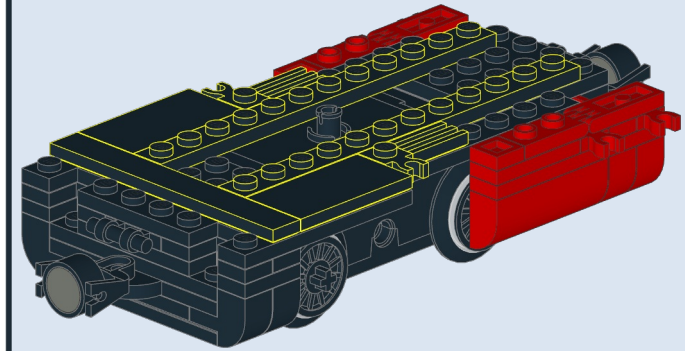
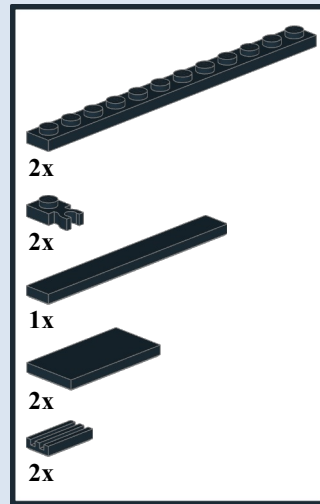
5



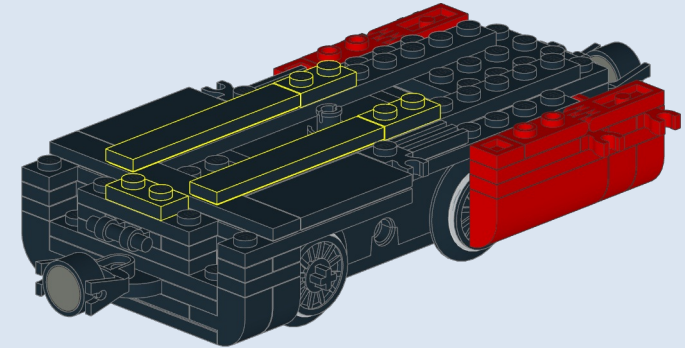
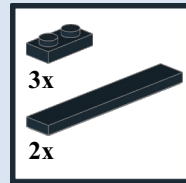
6



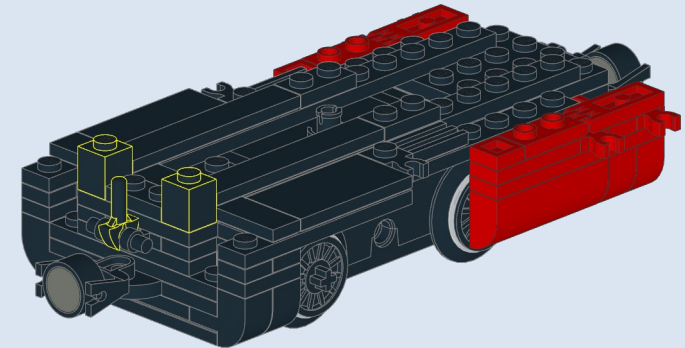
7



8



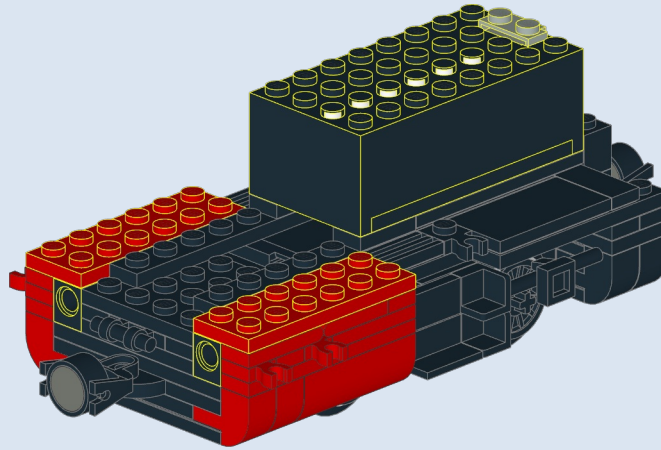
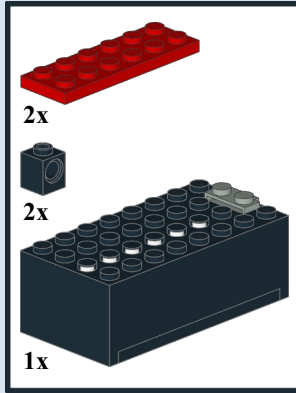
9



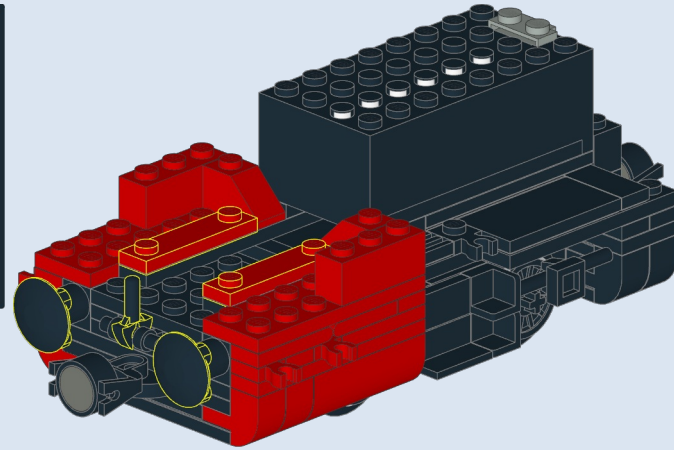




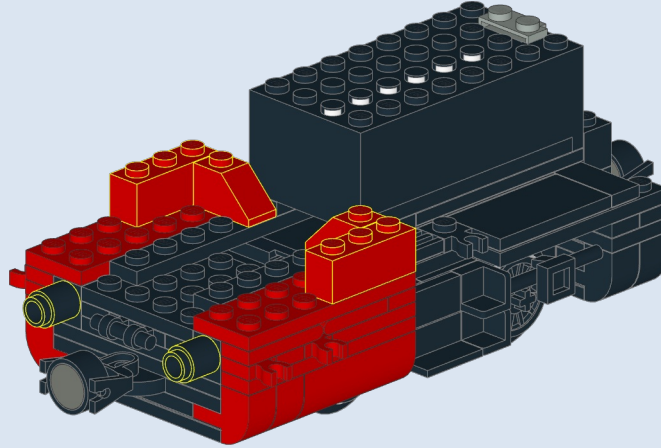
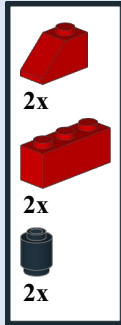
12



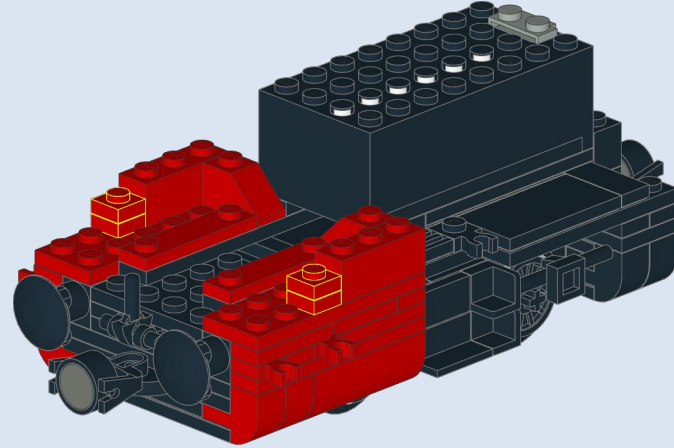
14



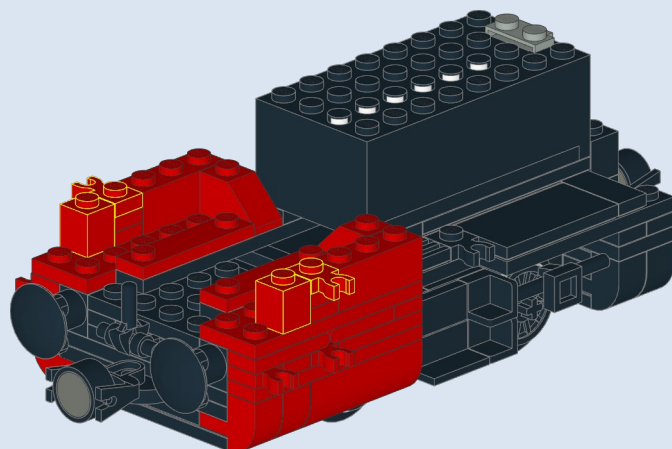
13



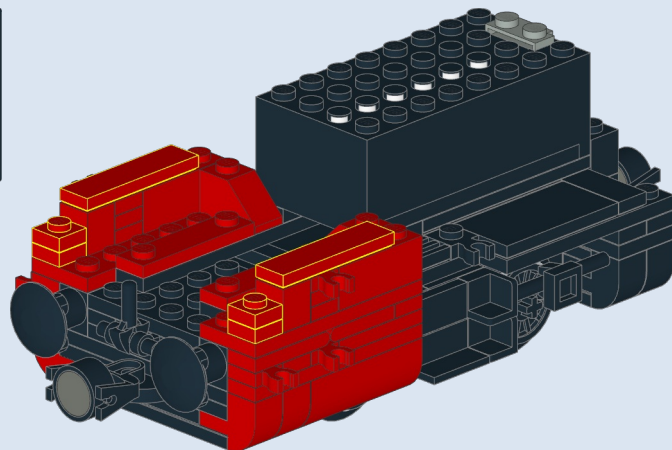
15



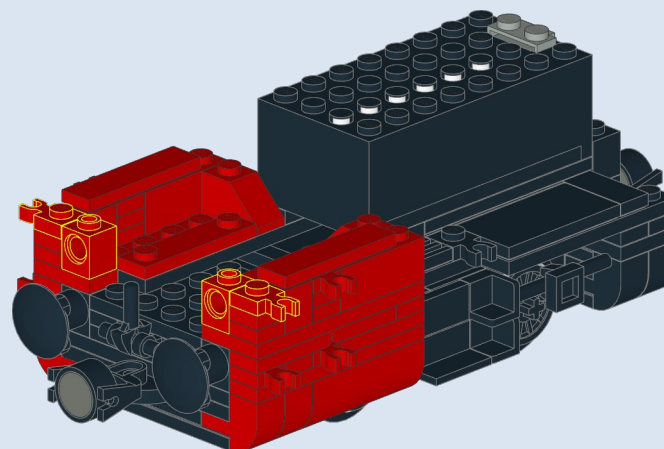
- 16
- 2x
  - 2x



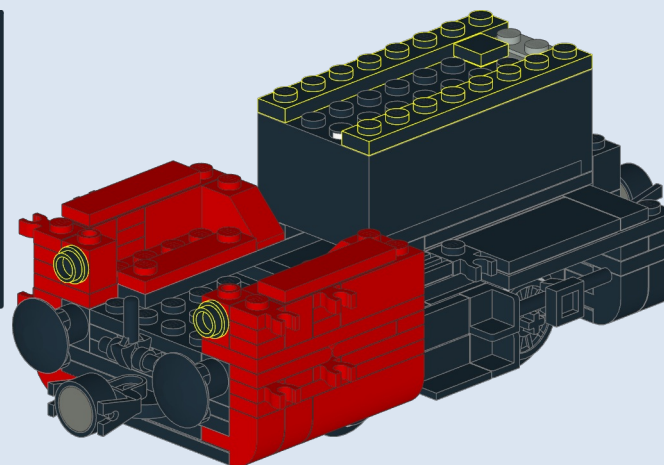
- 17
- 4x
  - 2x



- 18
- 2x
  - 2x

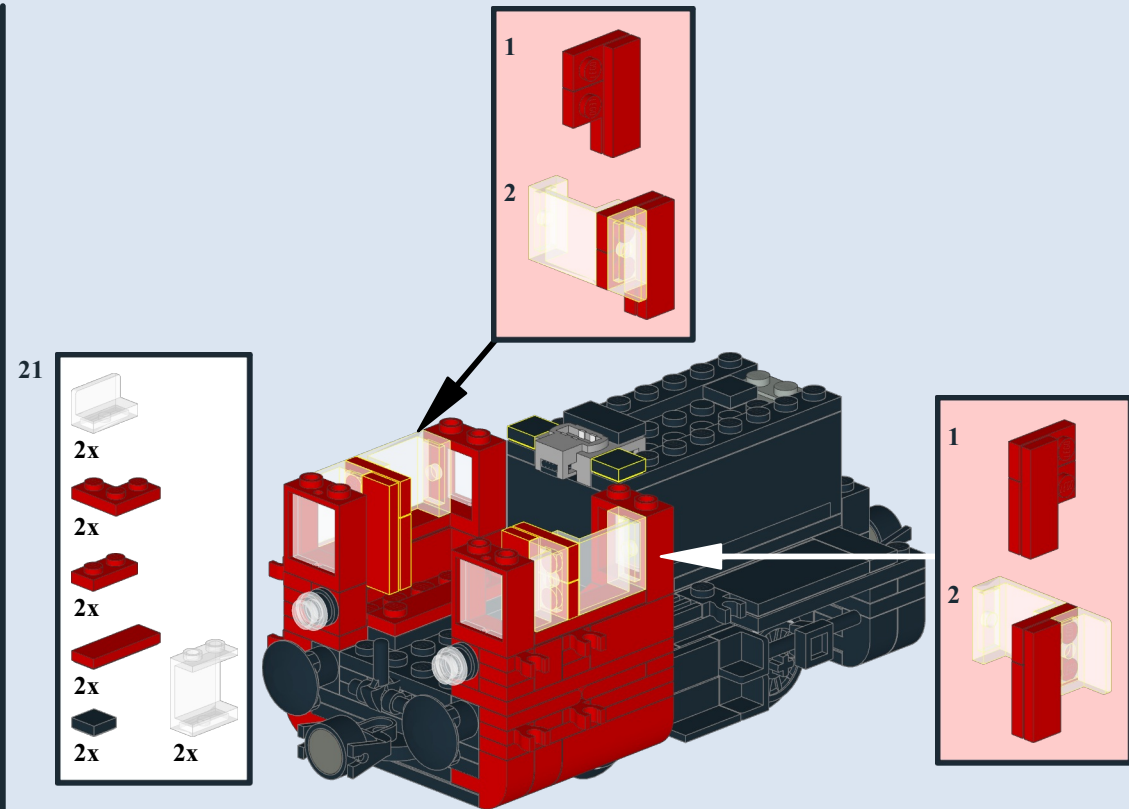
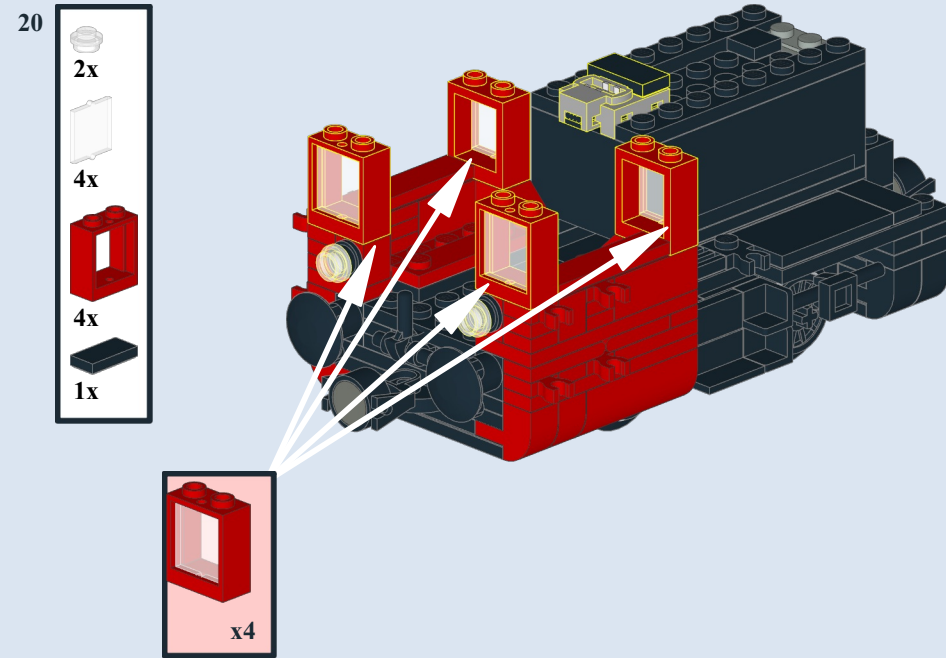


- 19
- 2x
  - 2x
  - 1x

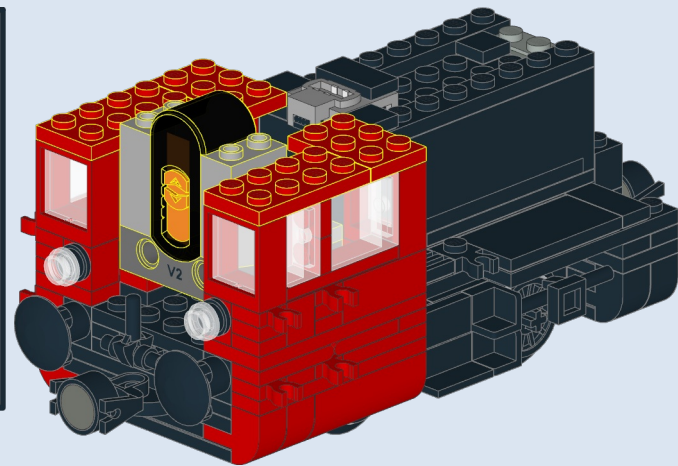
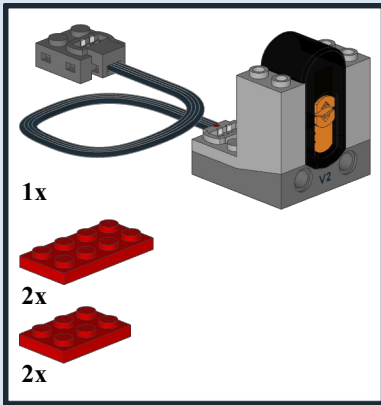




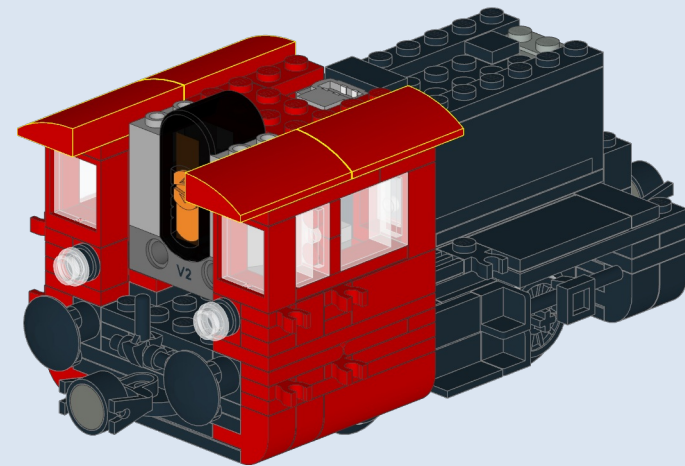
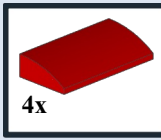
Please use 1x 9v to Power Functions  
Extension Wire (item#8886)  
to connect the battery box with the IR Receiver.



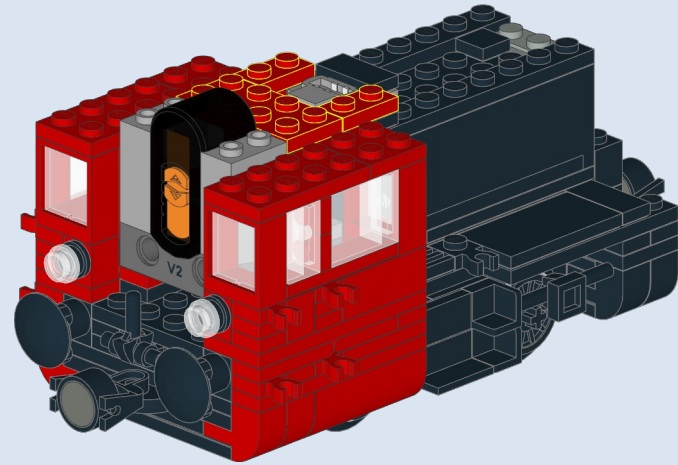
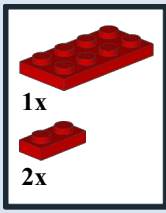
22



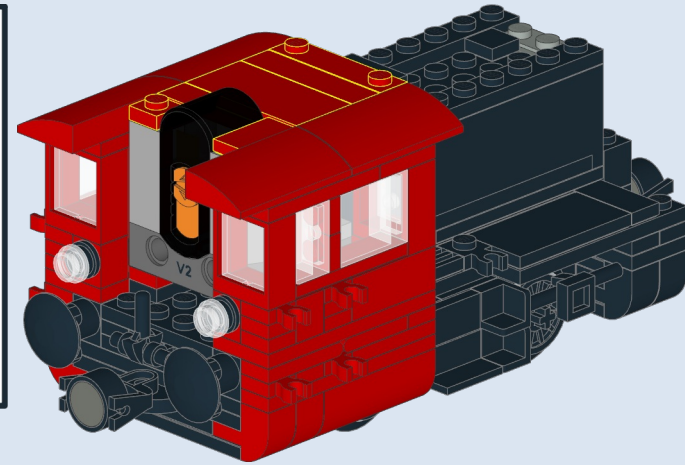
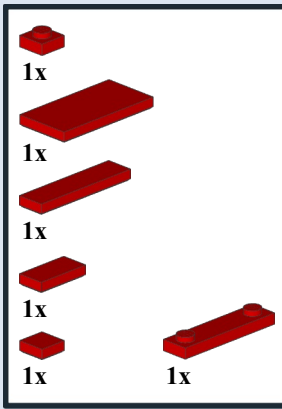
24



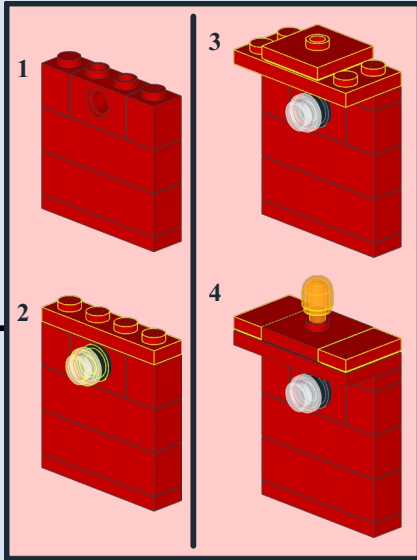
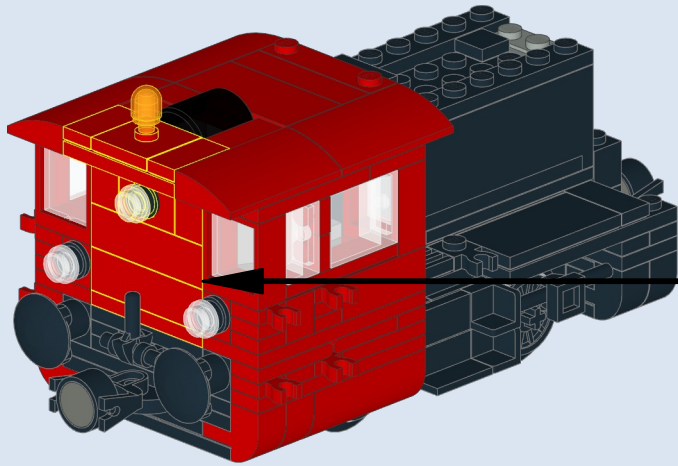
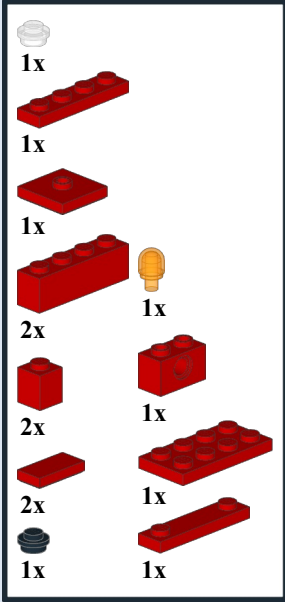
23



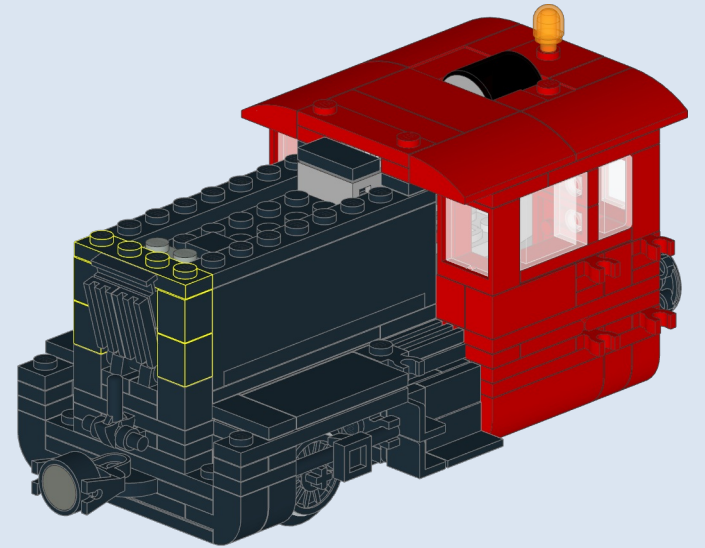
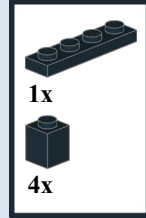
25



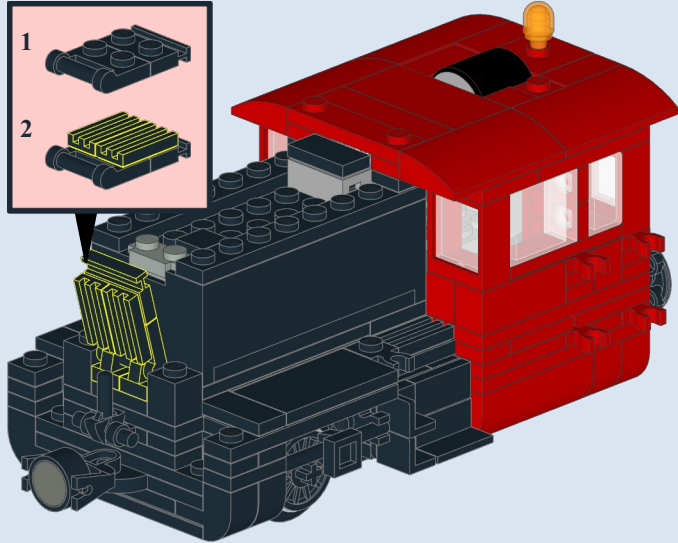
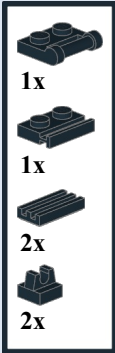
26



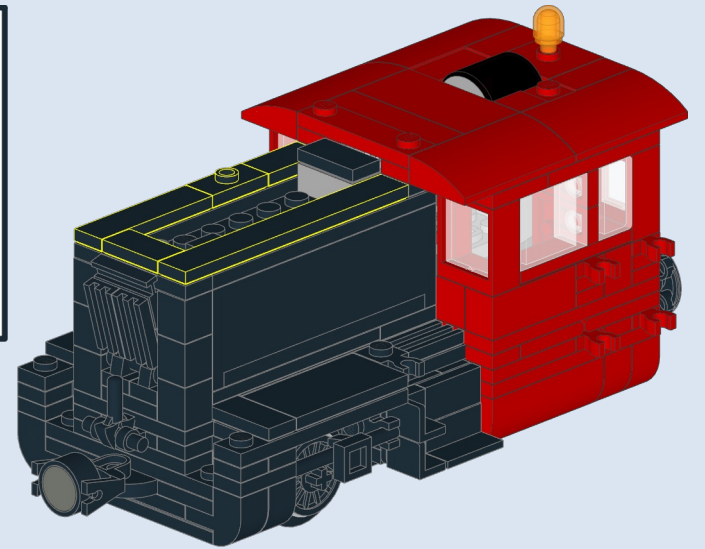
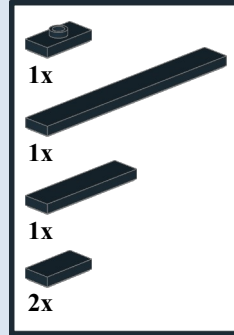
28



27

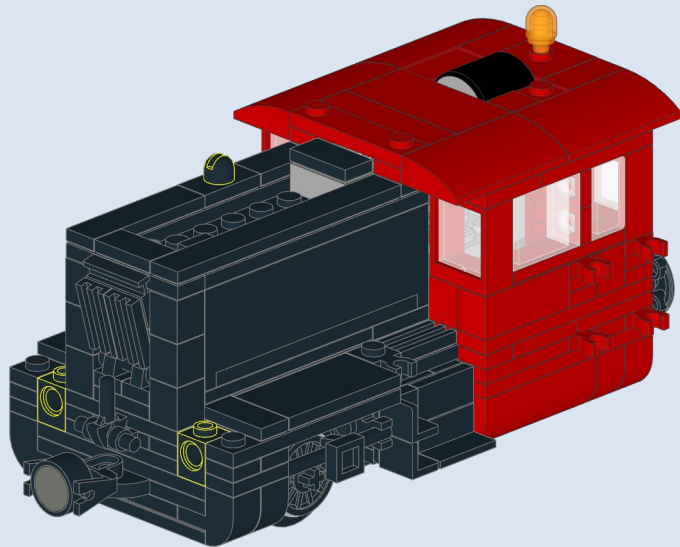






29

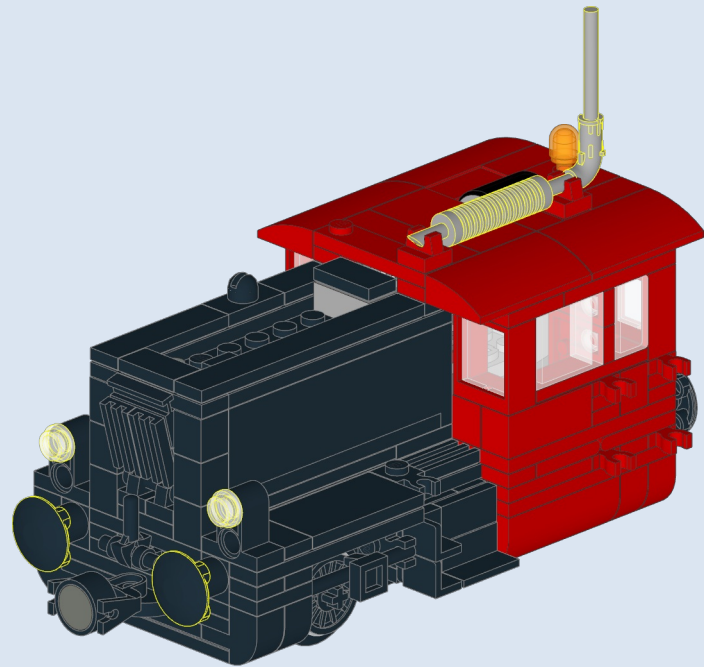




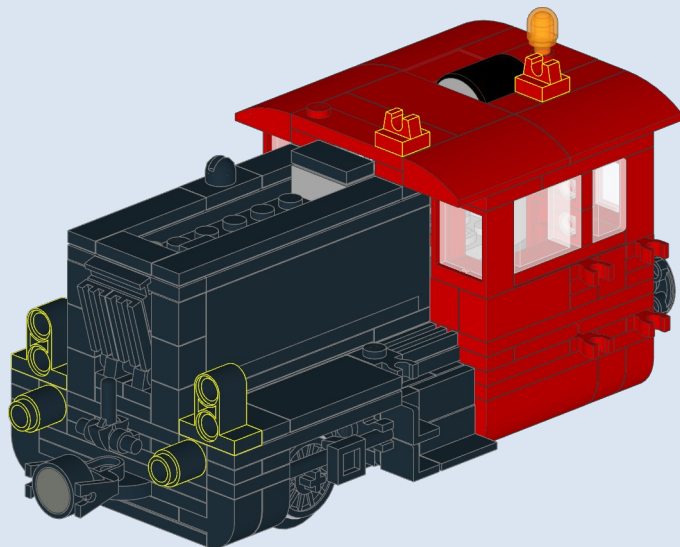
- 30
-  2x
  -  1x




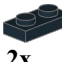




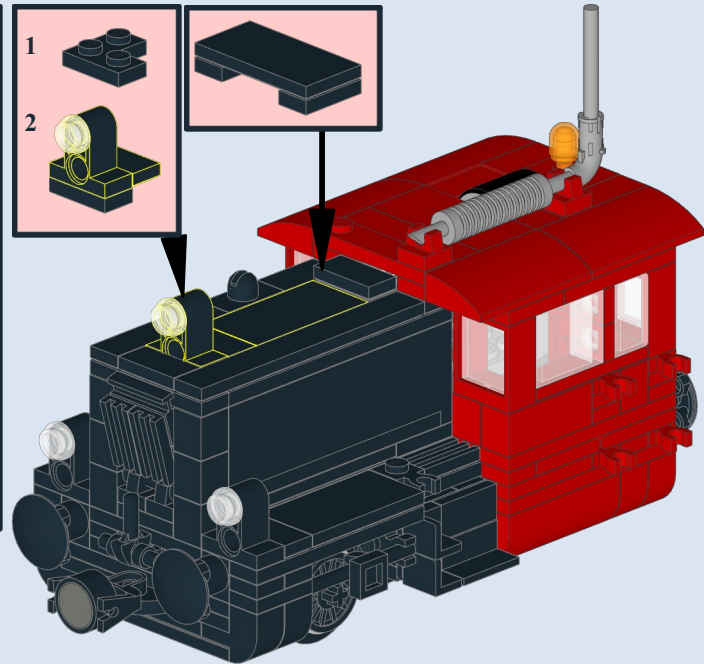
- 32
-  1x
  -  1x
  -  2x
  -  2x



- 31
-  2x
  -  2x
  -  2x

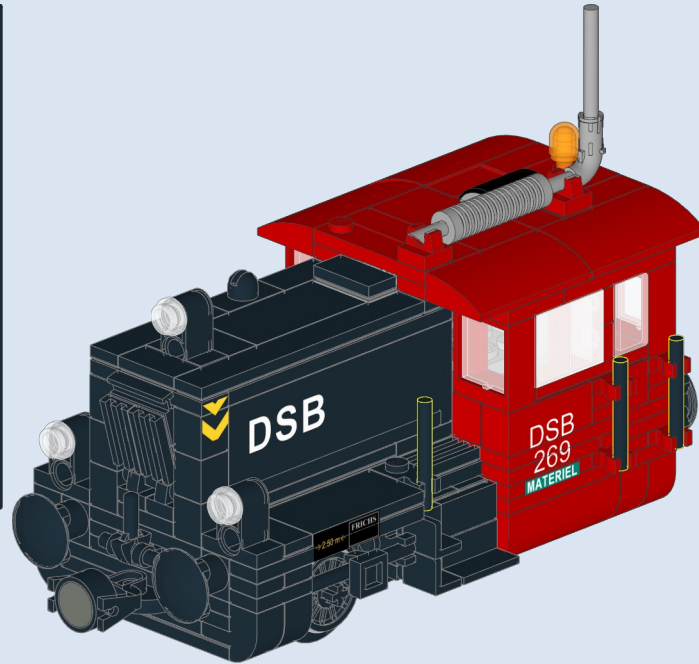


- 33
-  1x
  -  1x
  -  1x
  -  2x
  -  1x
  -  1x



34

- 1x 
- 1x 
- 1x 
- 1x 
- 1x 
- 1x 
- 3x 



35

- 1x 
- 1x 
- 1x 
- 1x 
- 1x 
- 1x 
- 1x 
- 3x 

