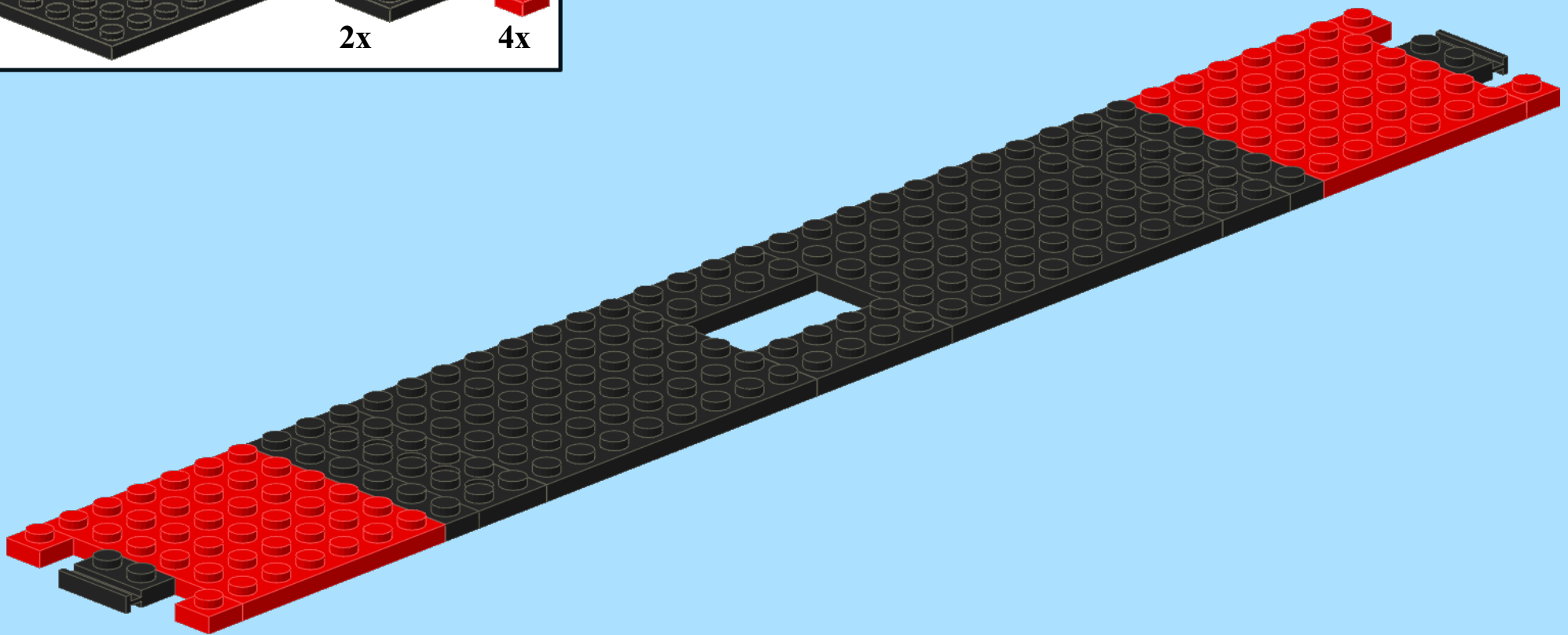
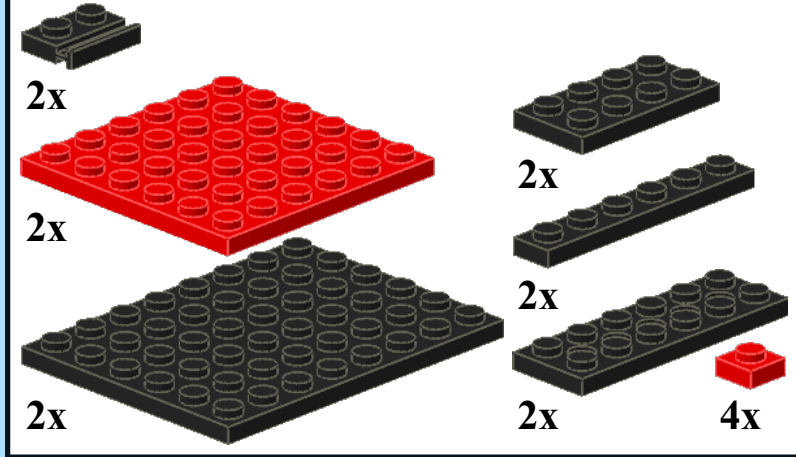


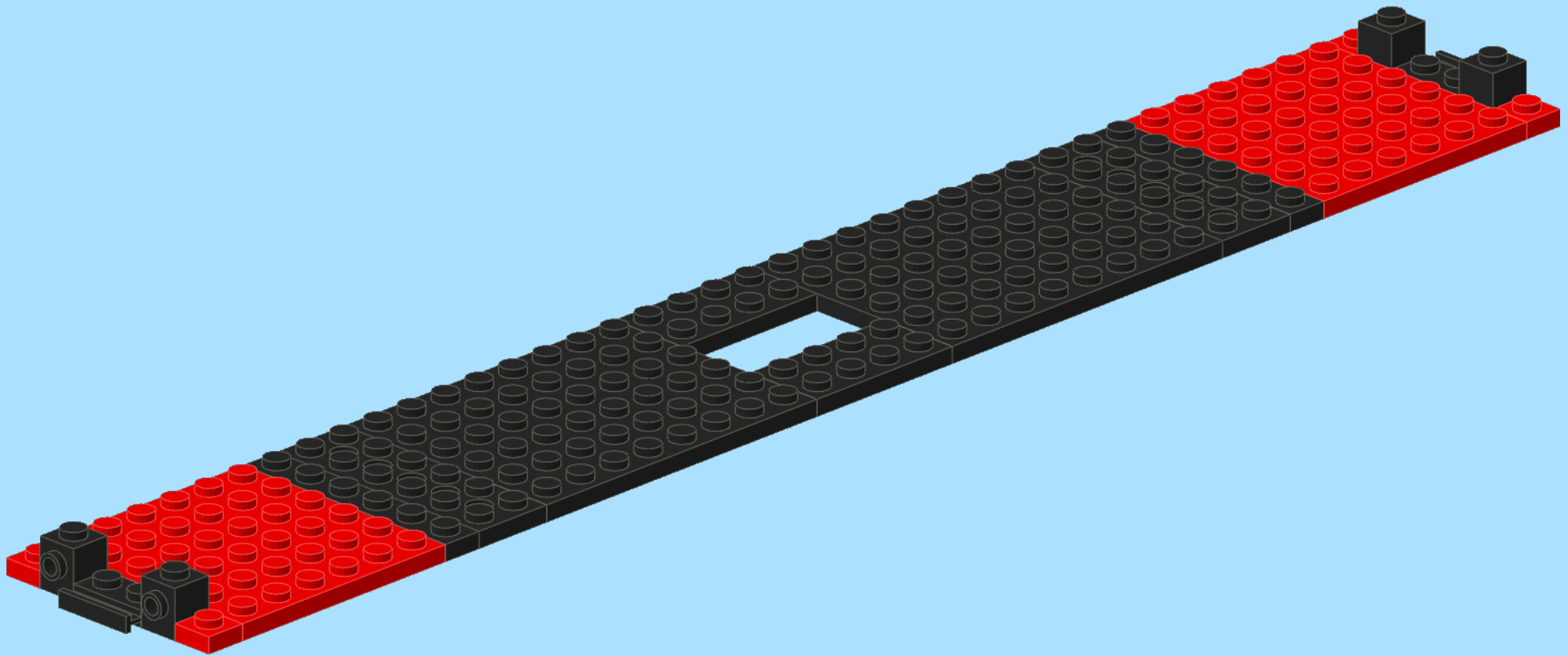
DSB Litra ME

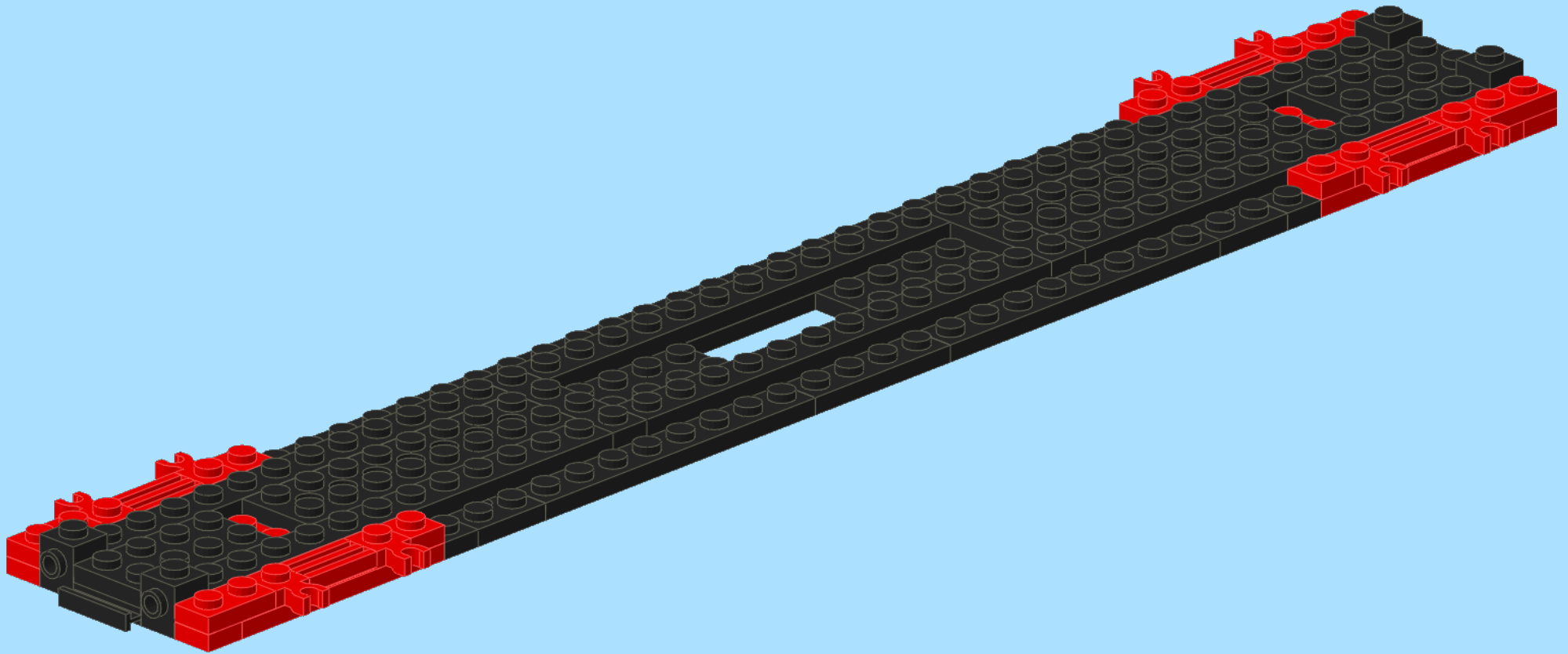
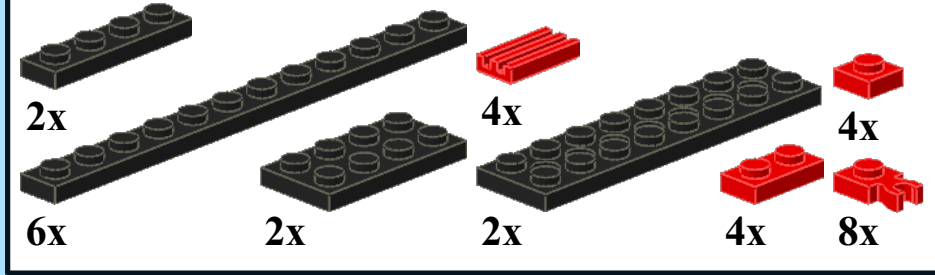


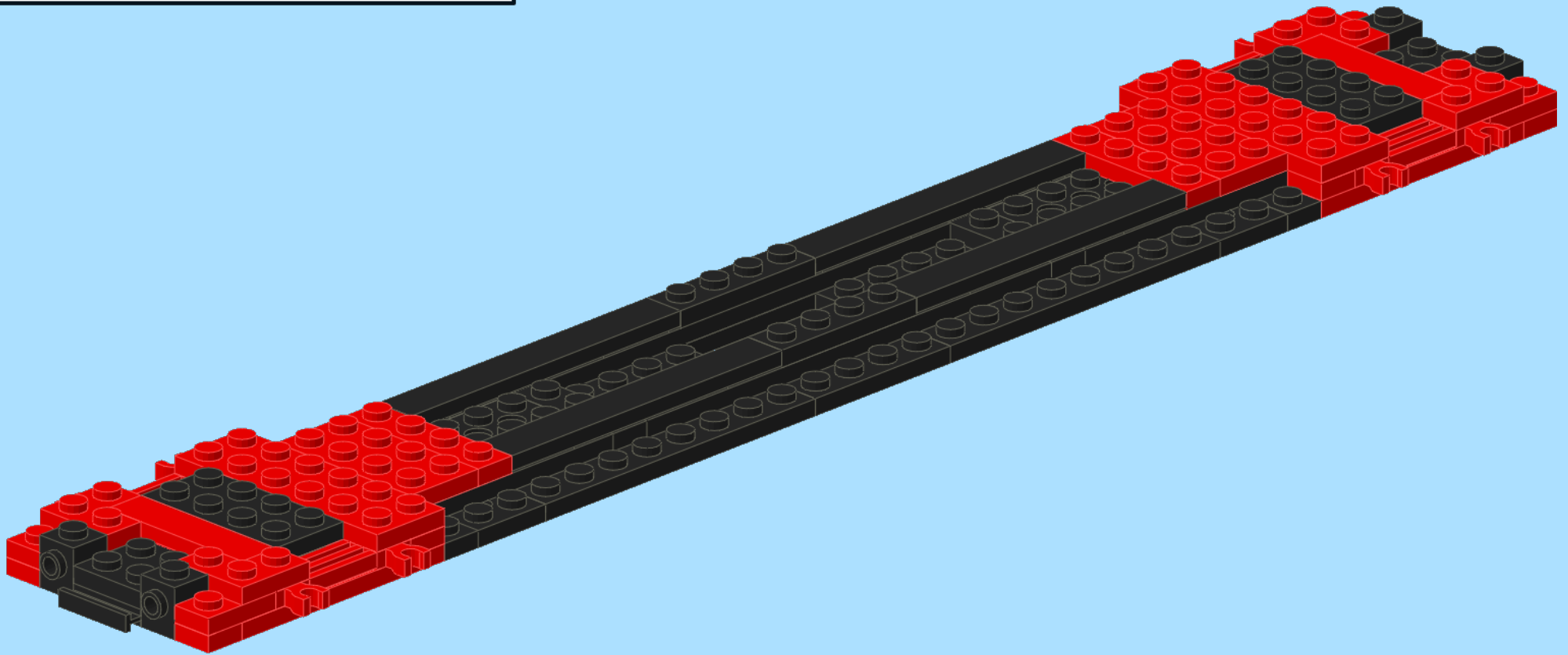
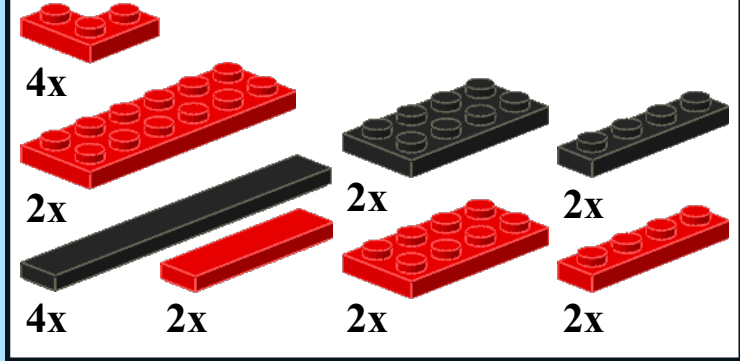
Designed By
Dennis Tomsen

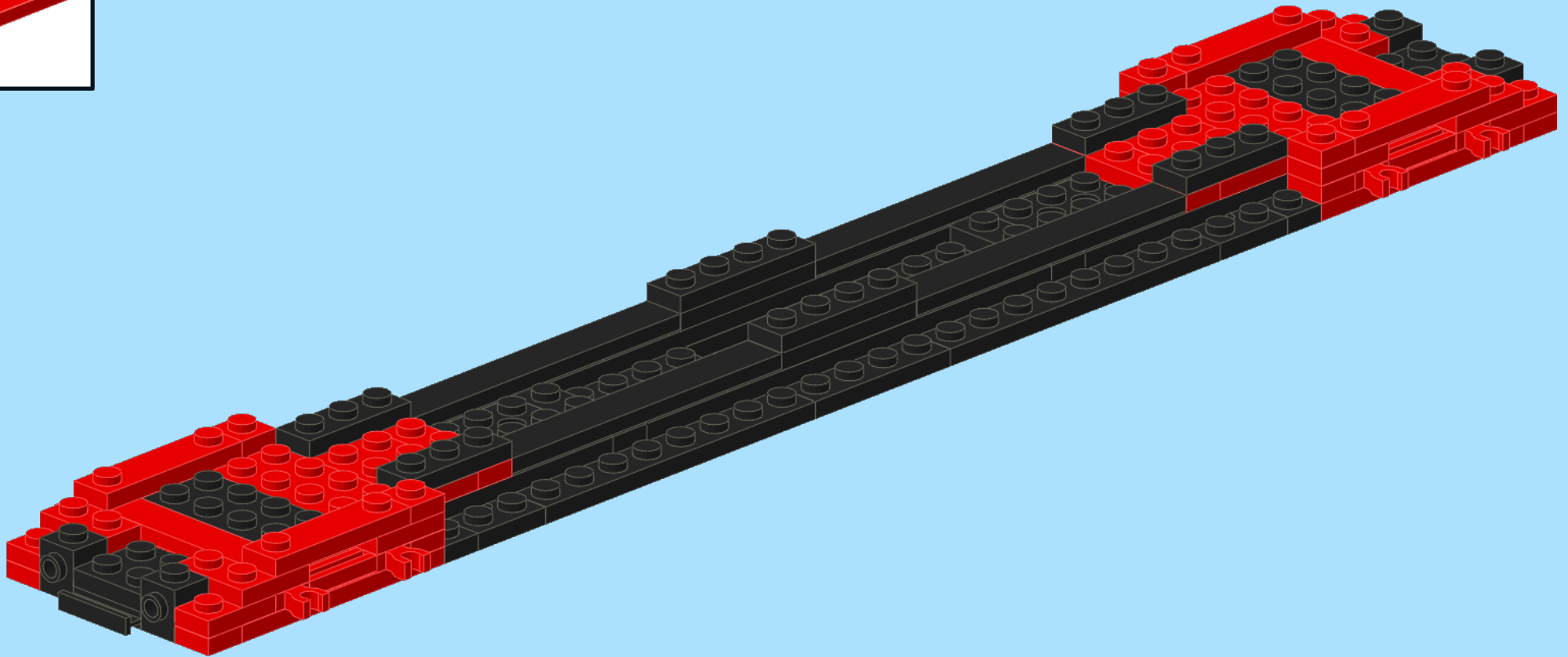
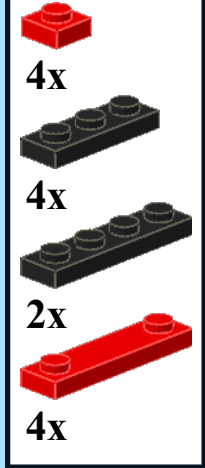
INSTRUCTION BY
KNUD ALBRECHTSEN
www.snakebyte.dk/lego

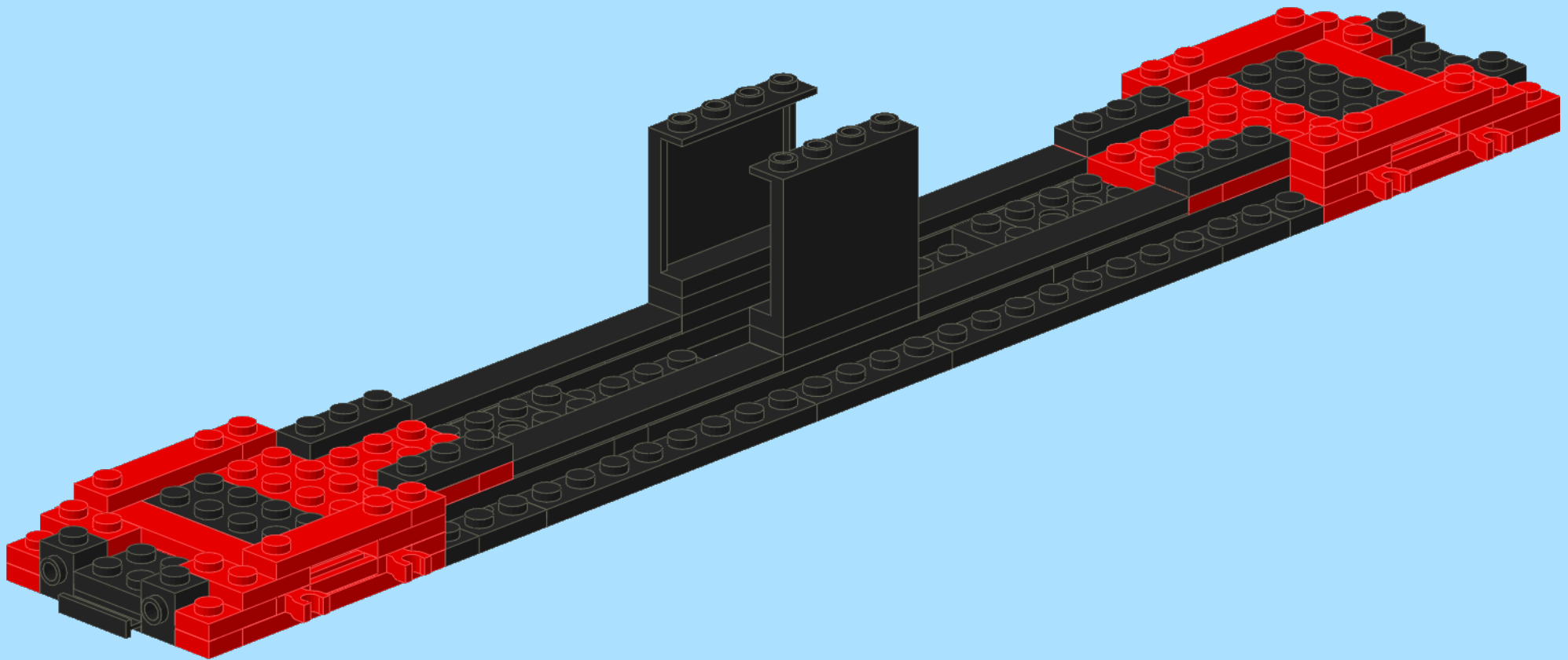
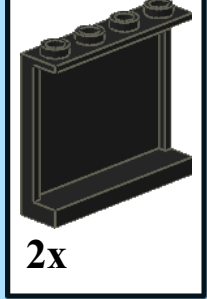


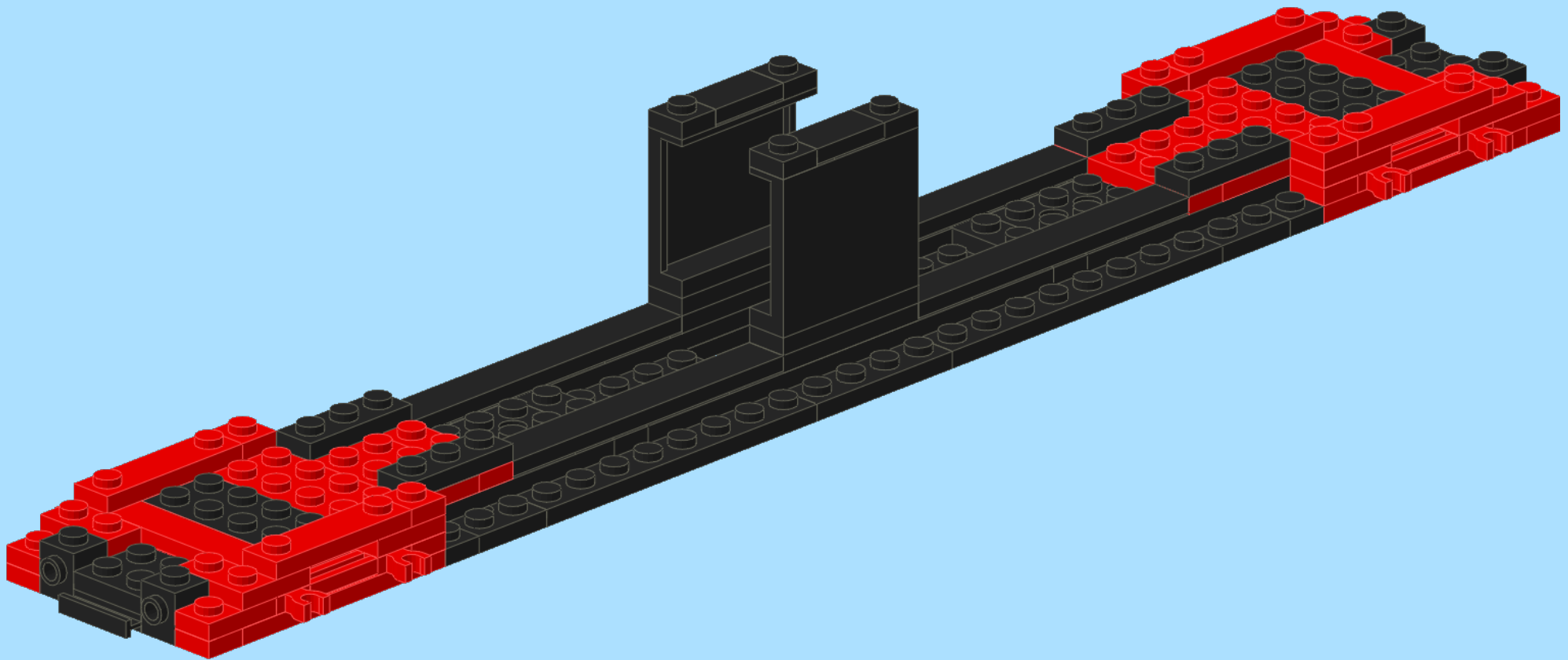
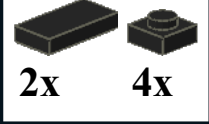


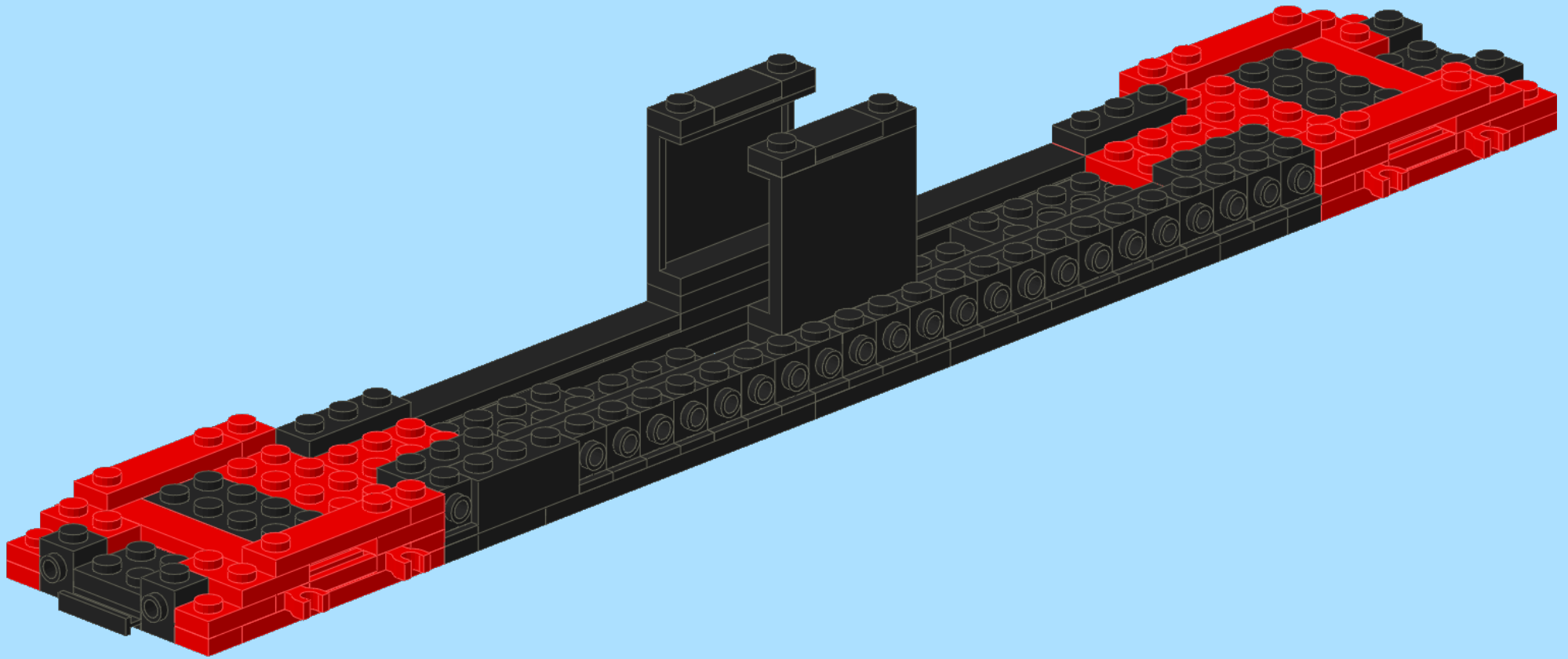
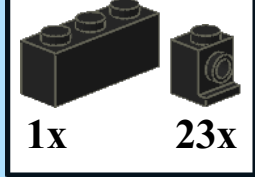


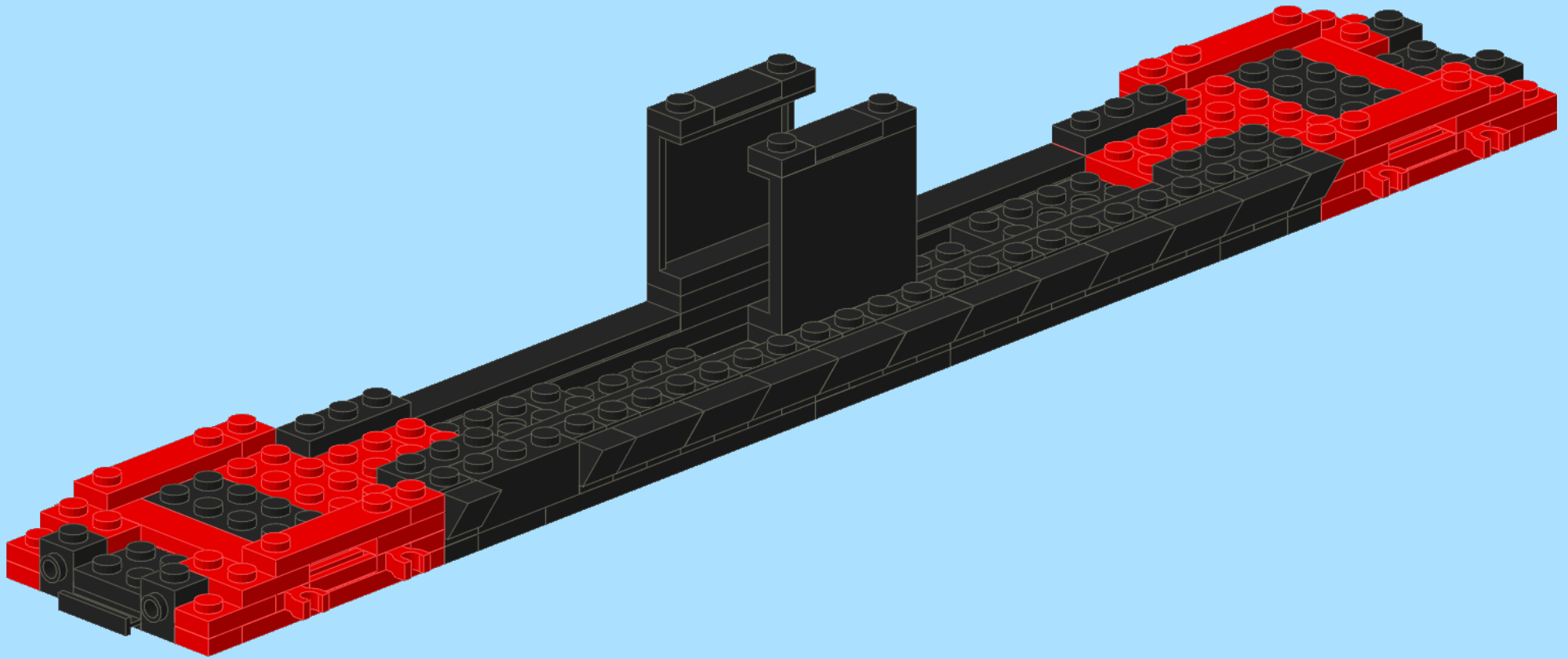
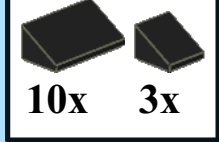


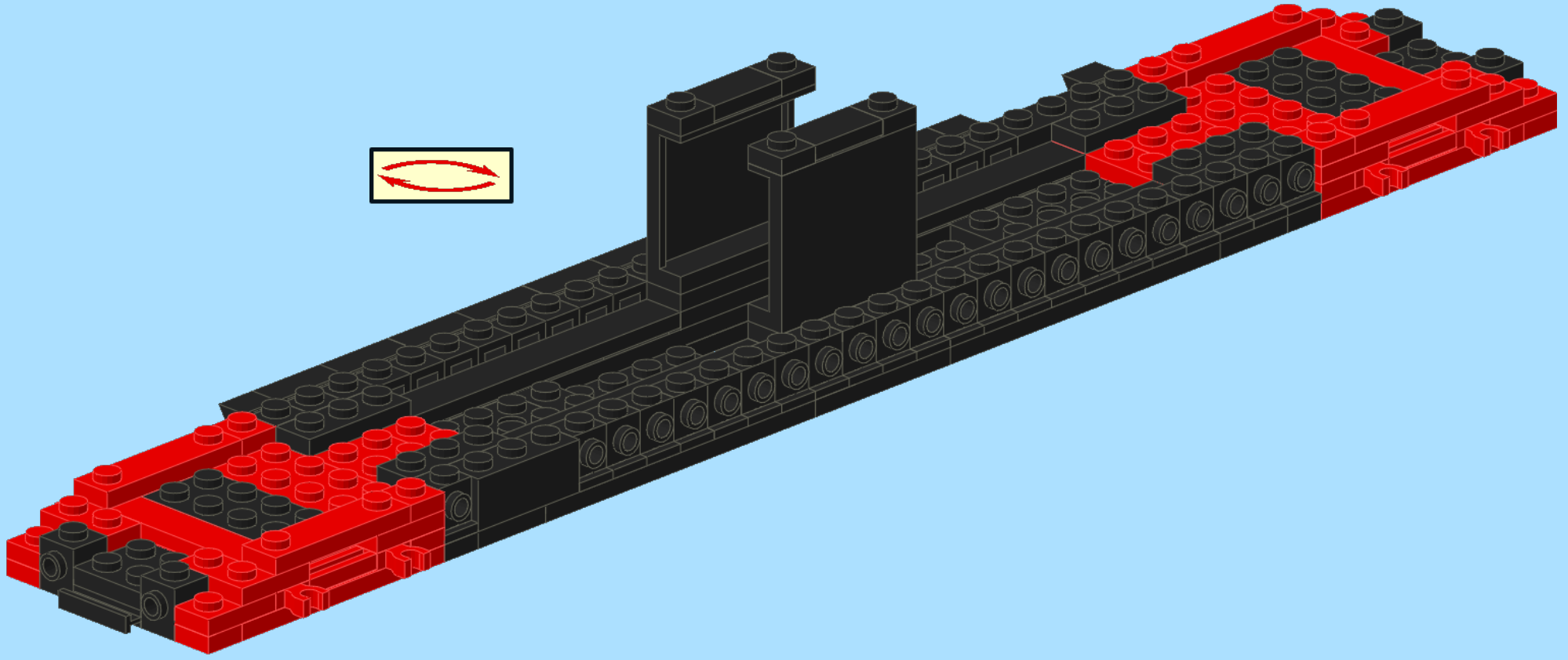
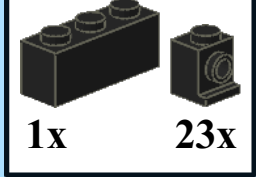


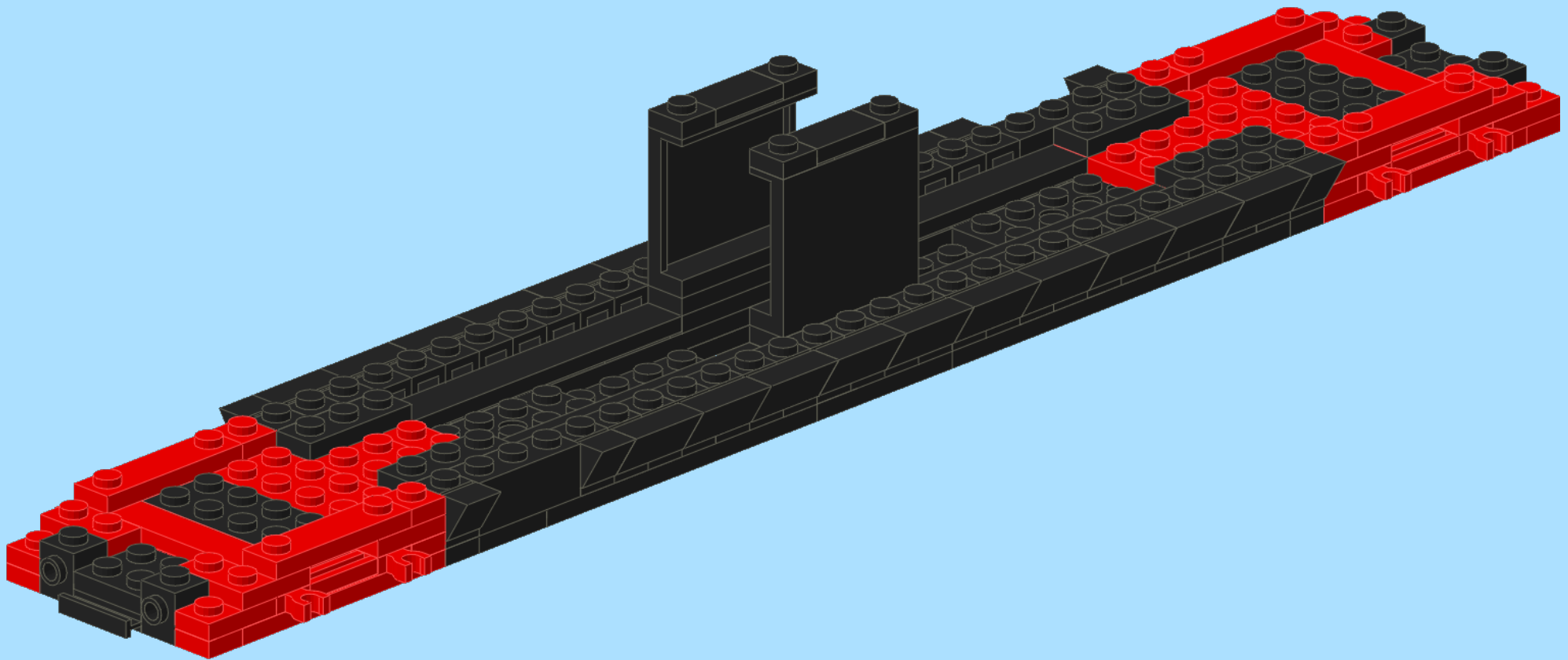
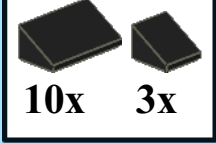


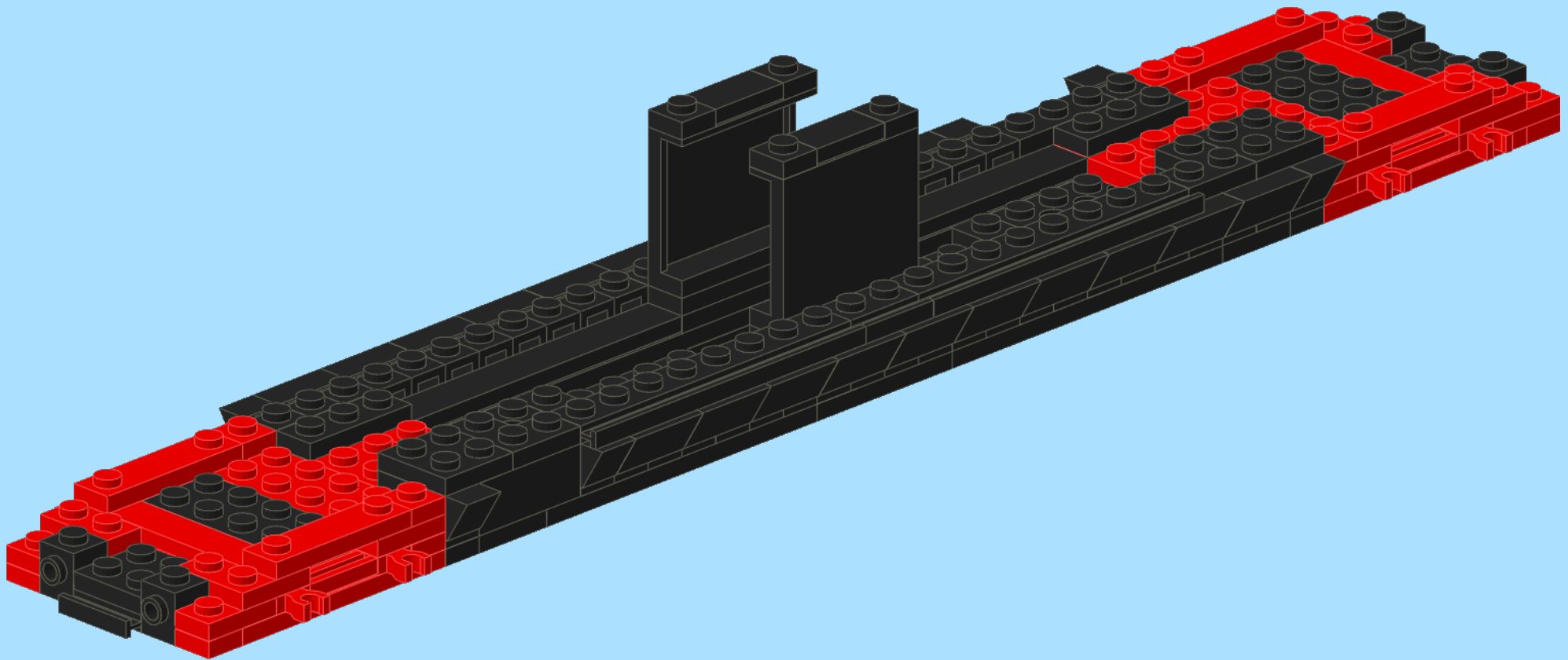
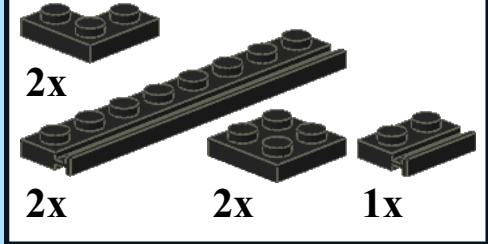


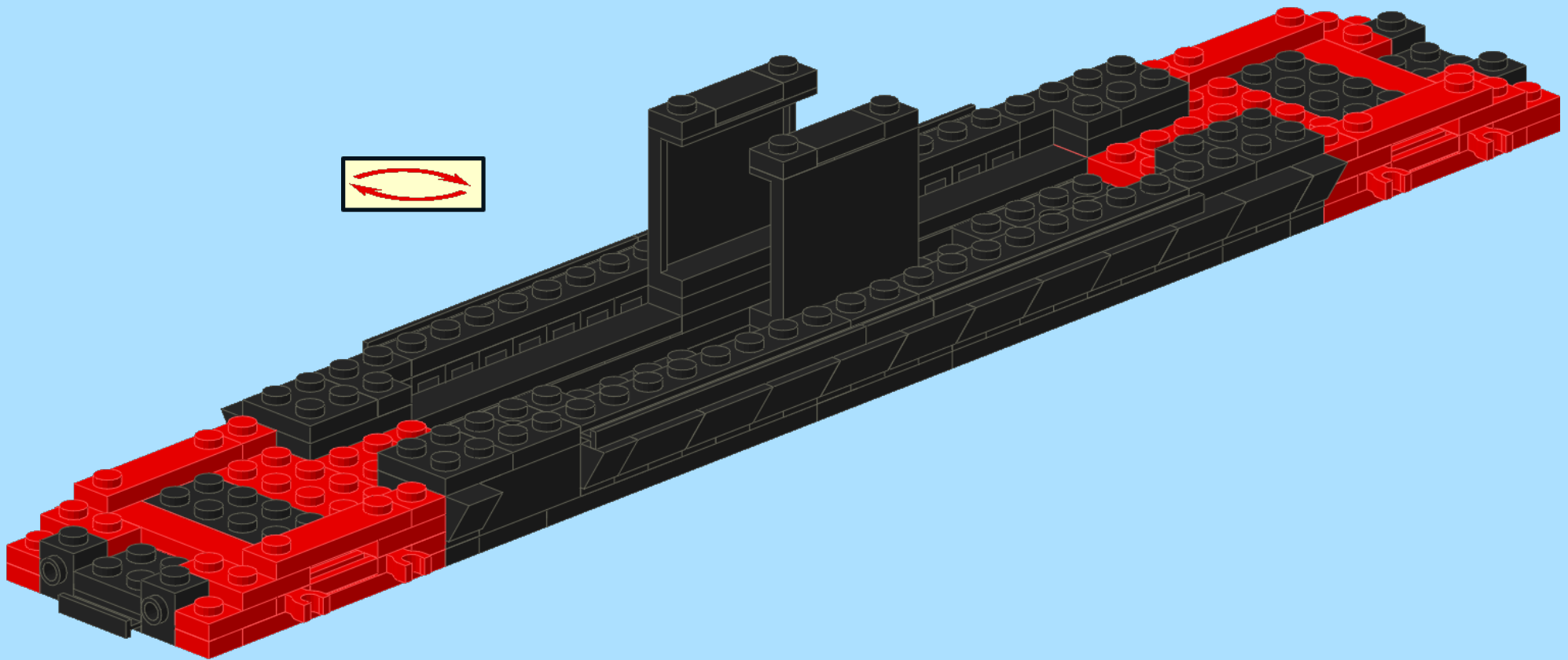
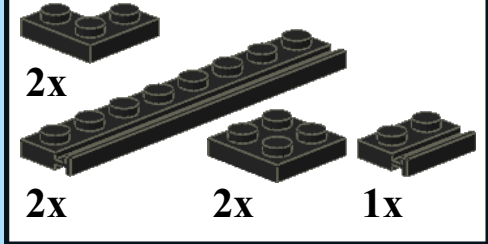


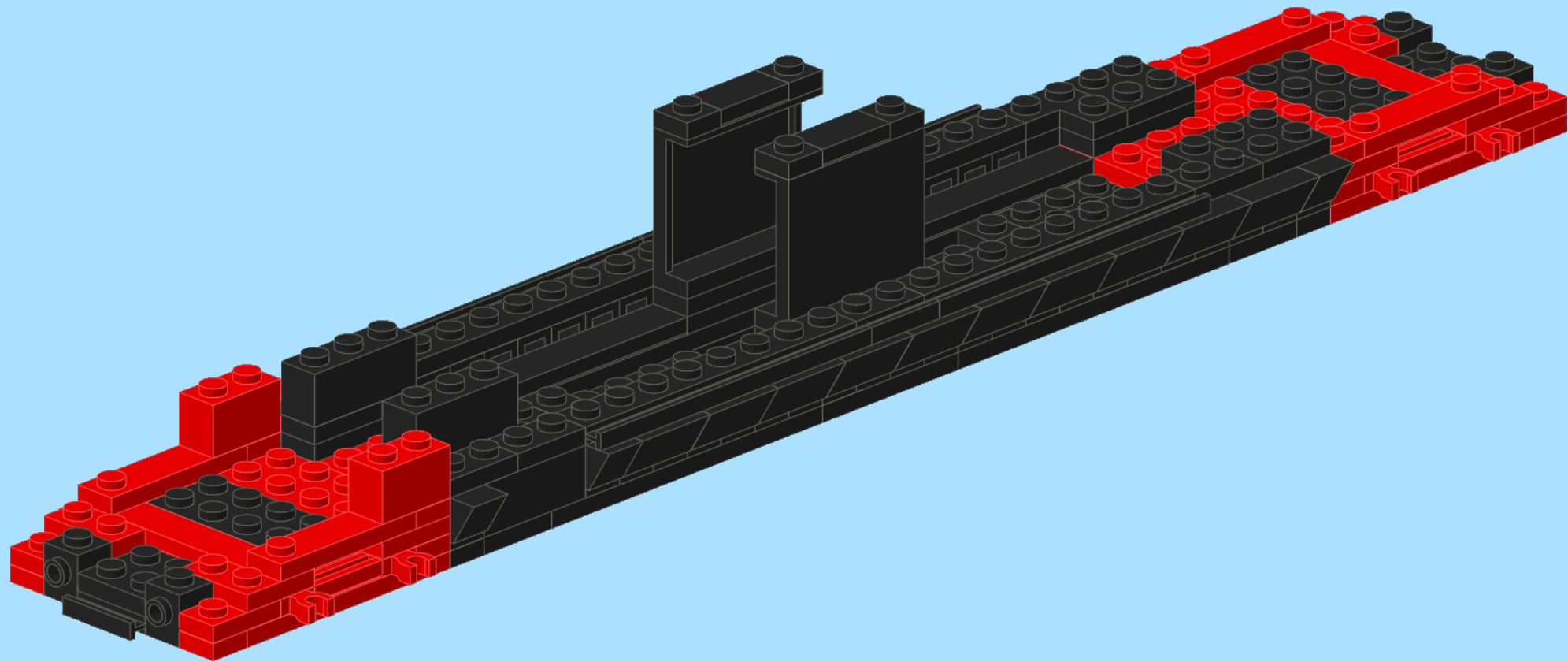
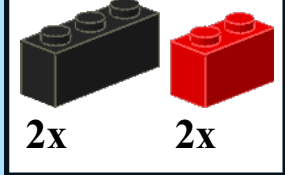


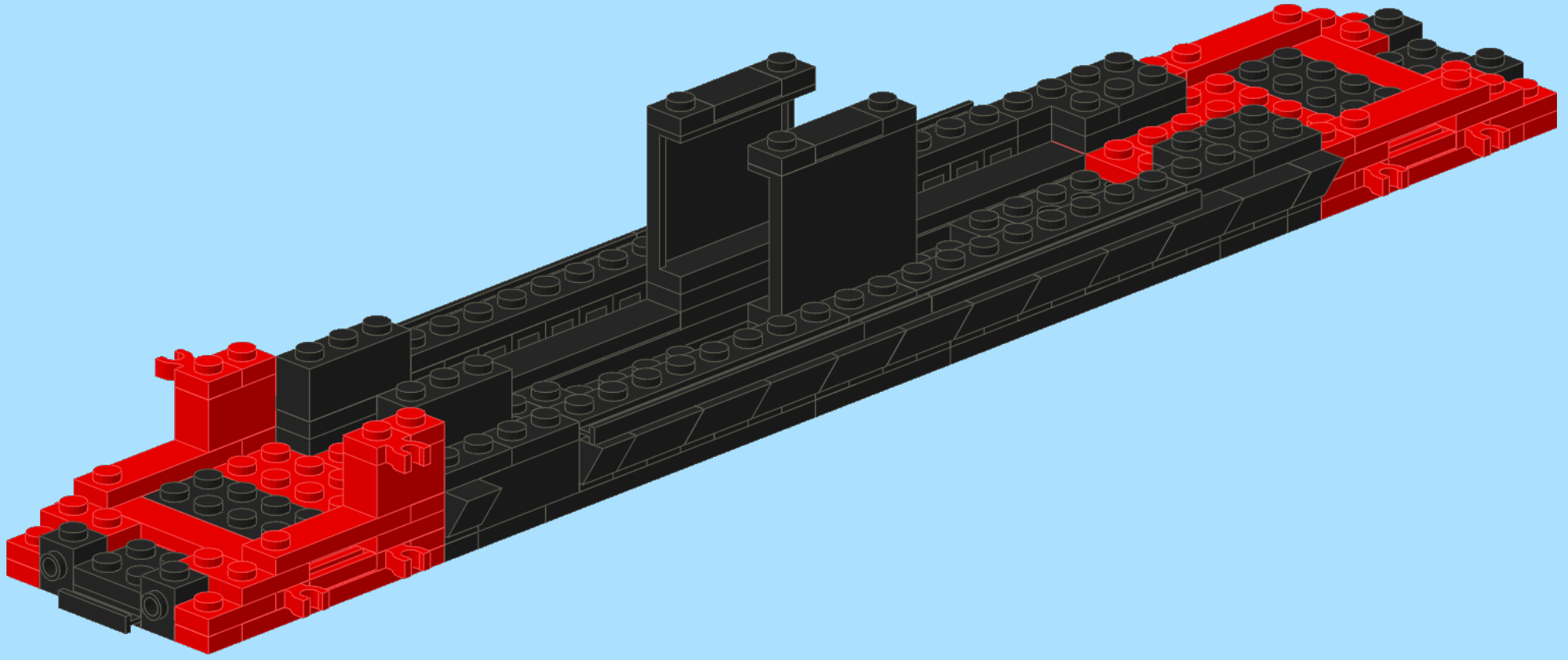


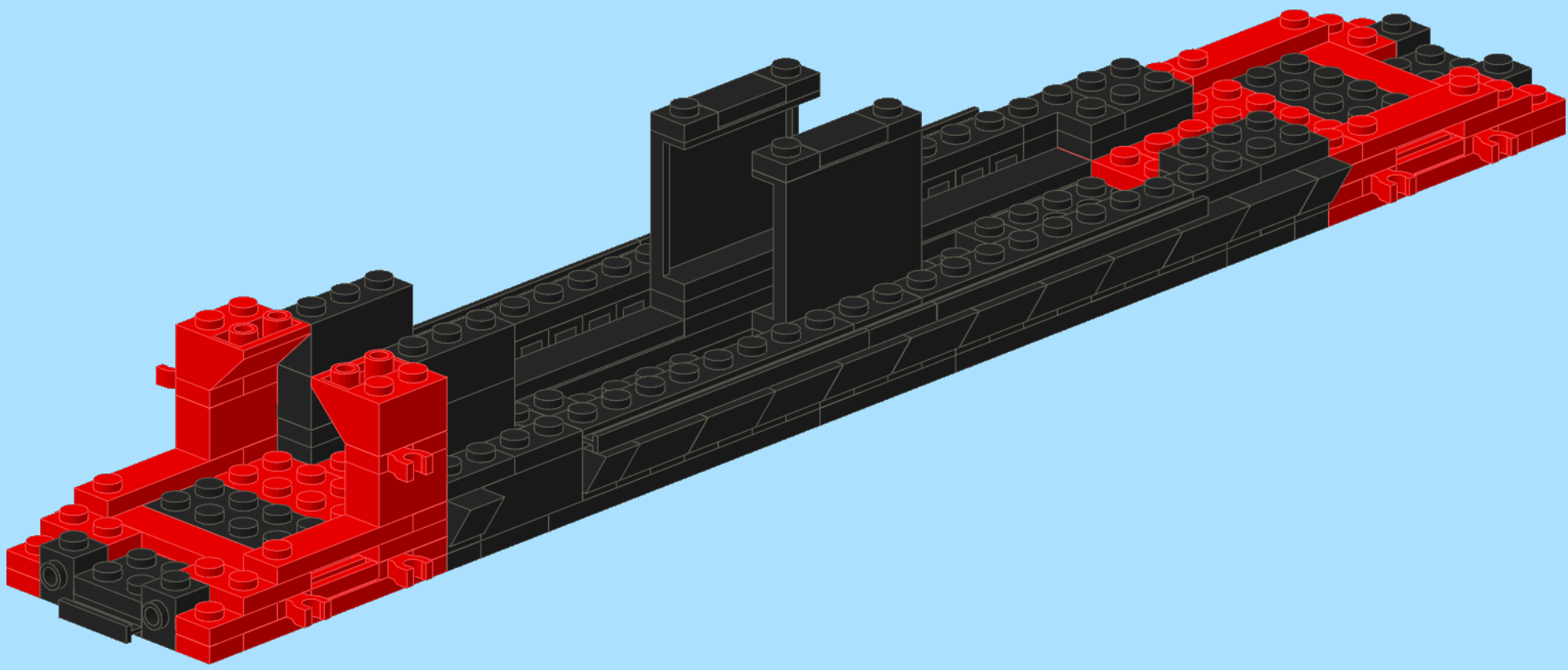
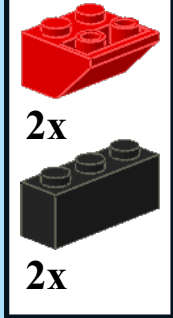


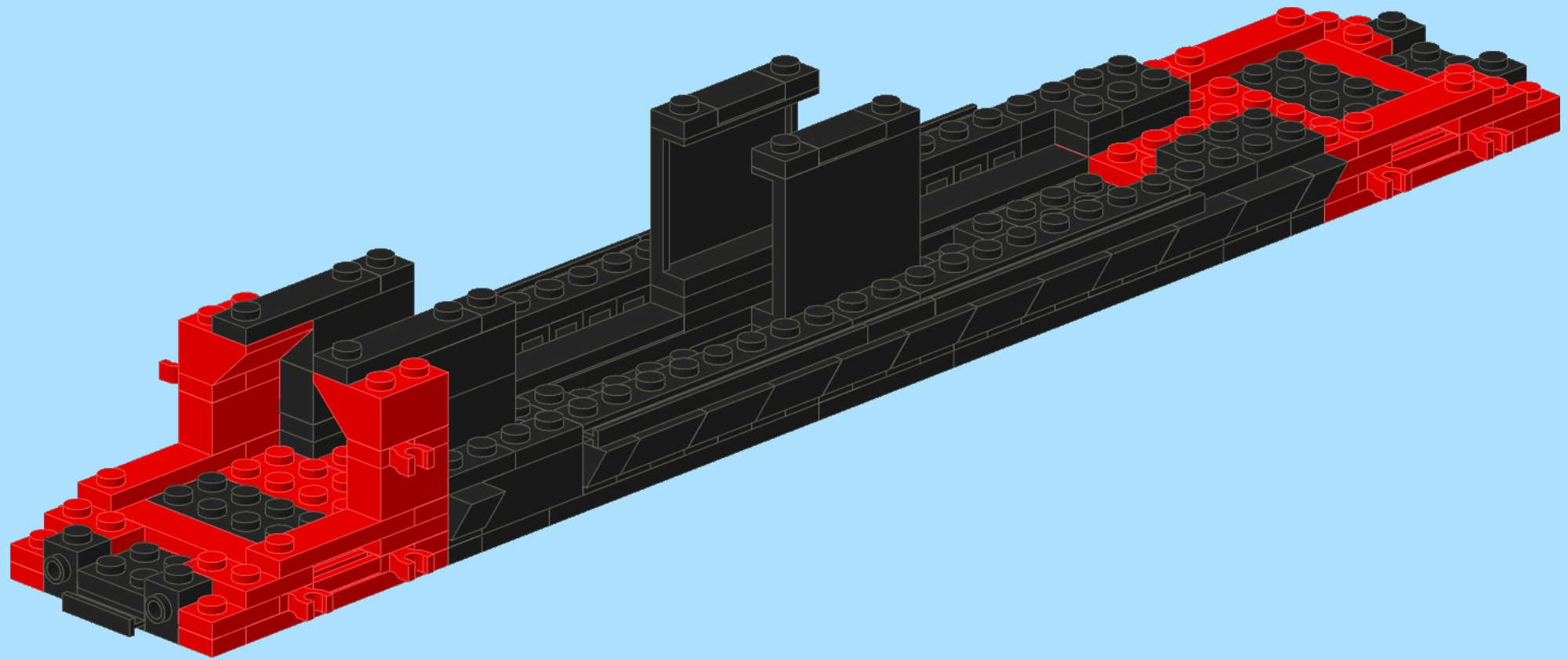
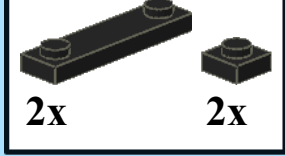


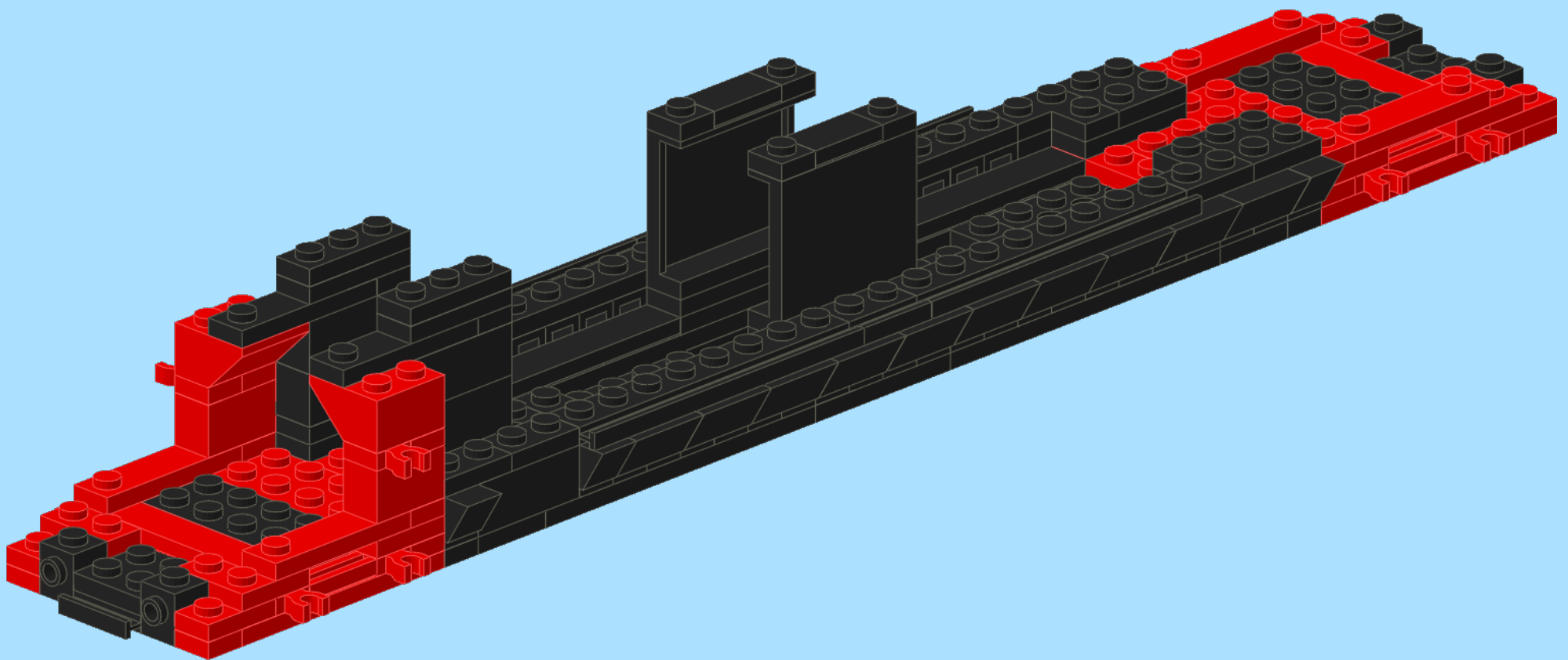
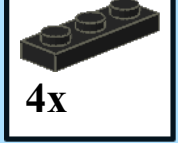


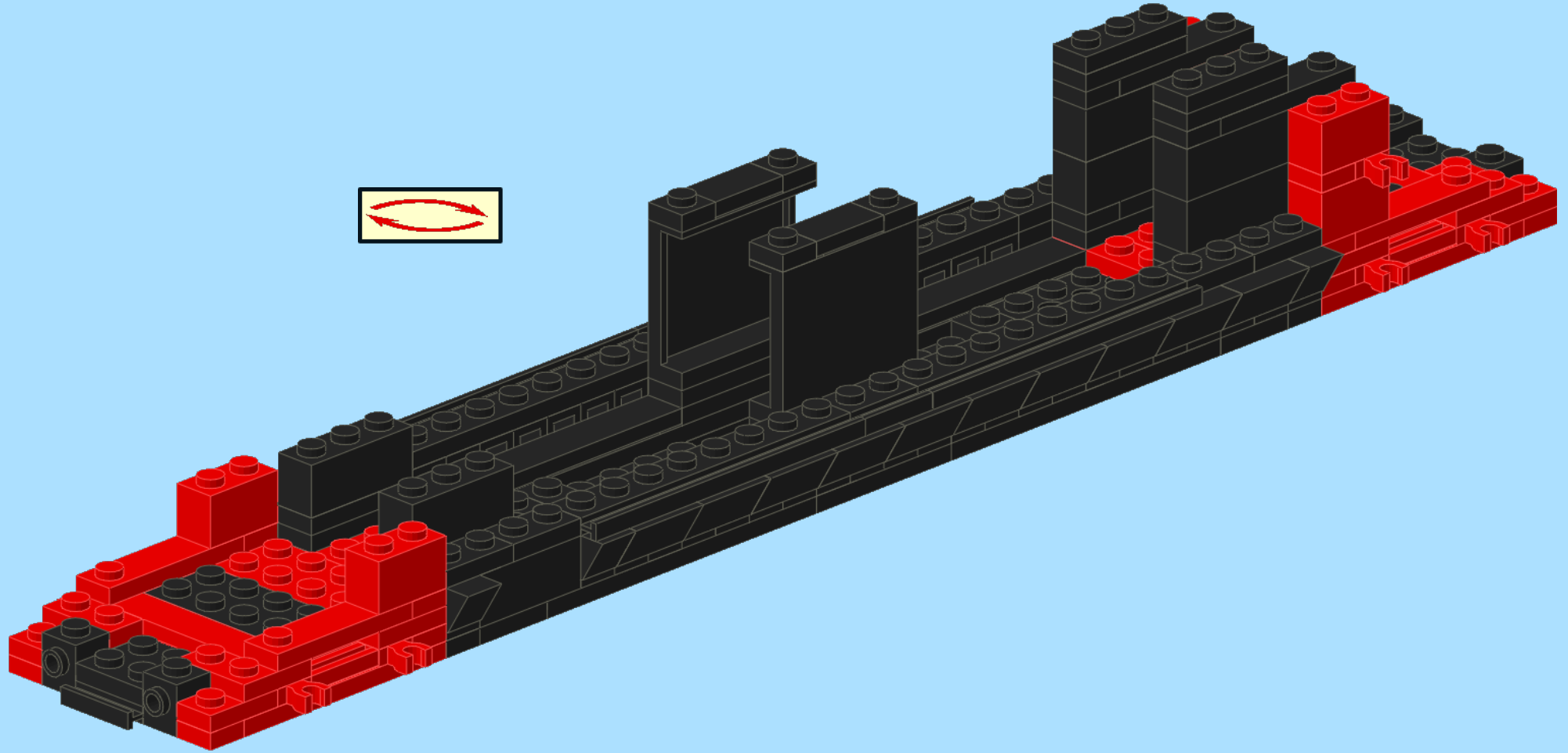
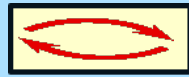
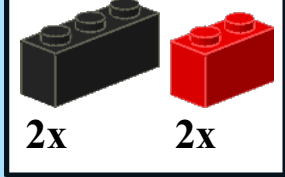




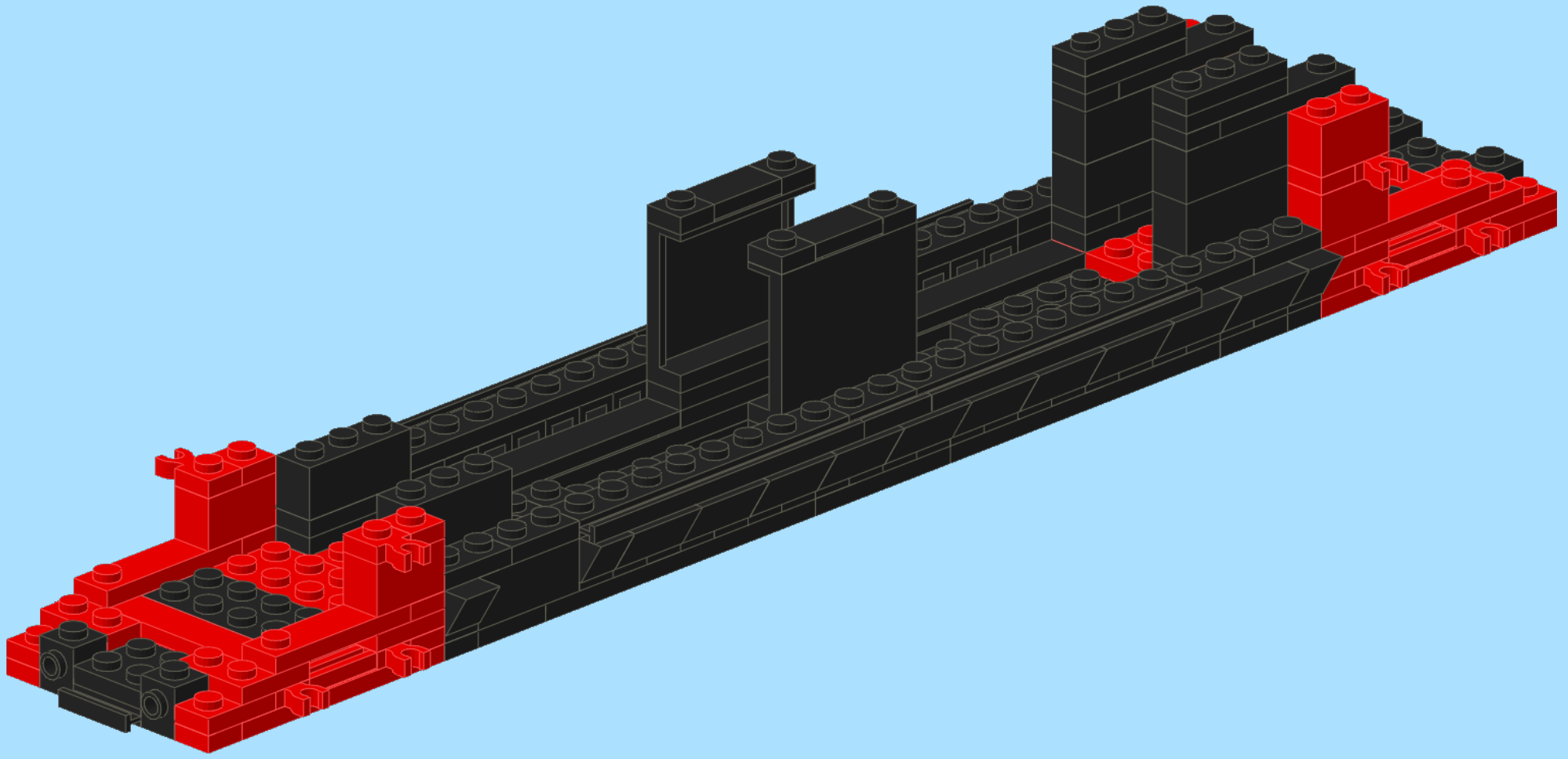


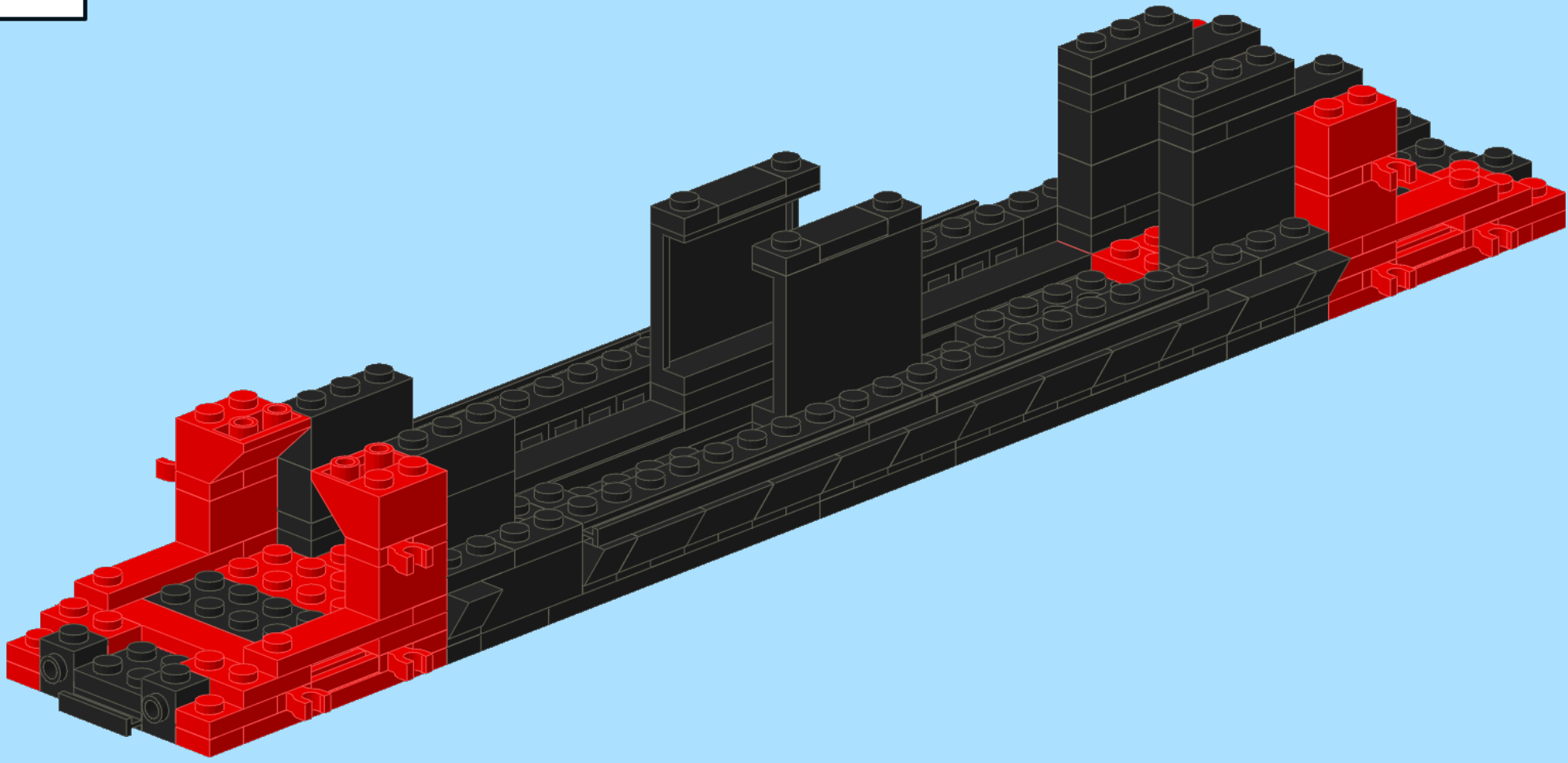
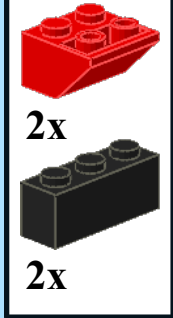


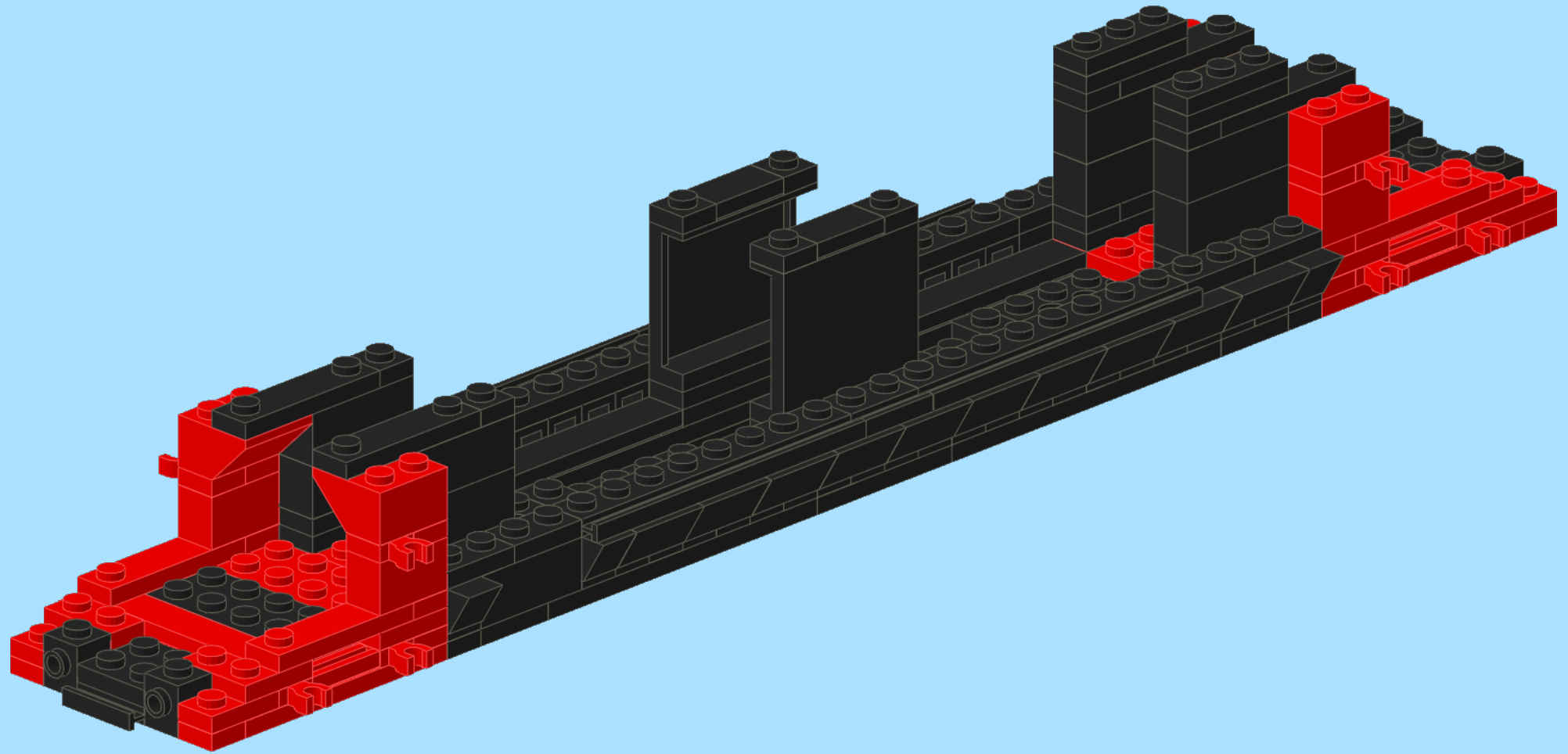
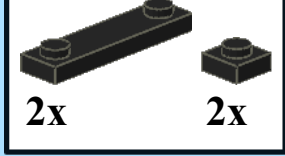


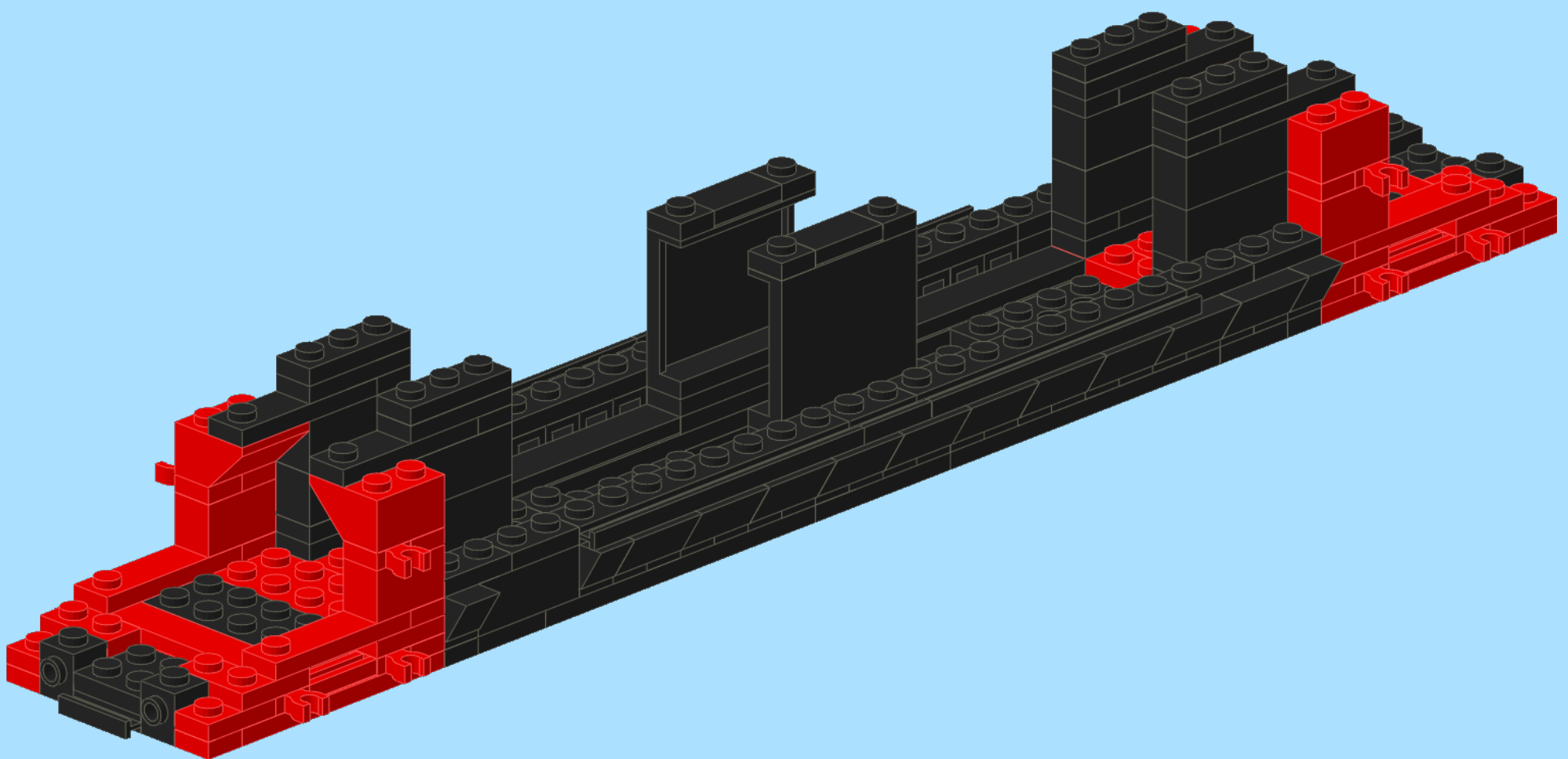
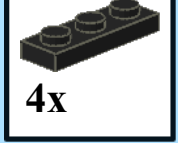


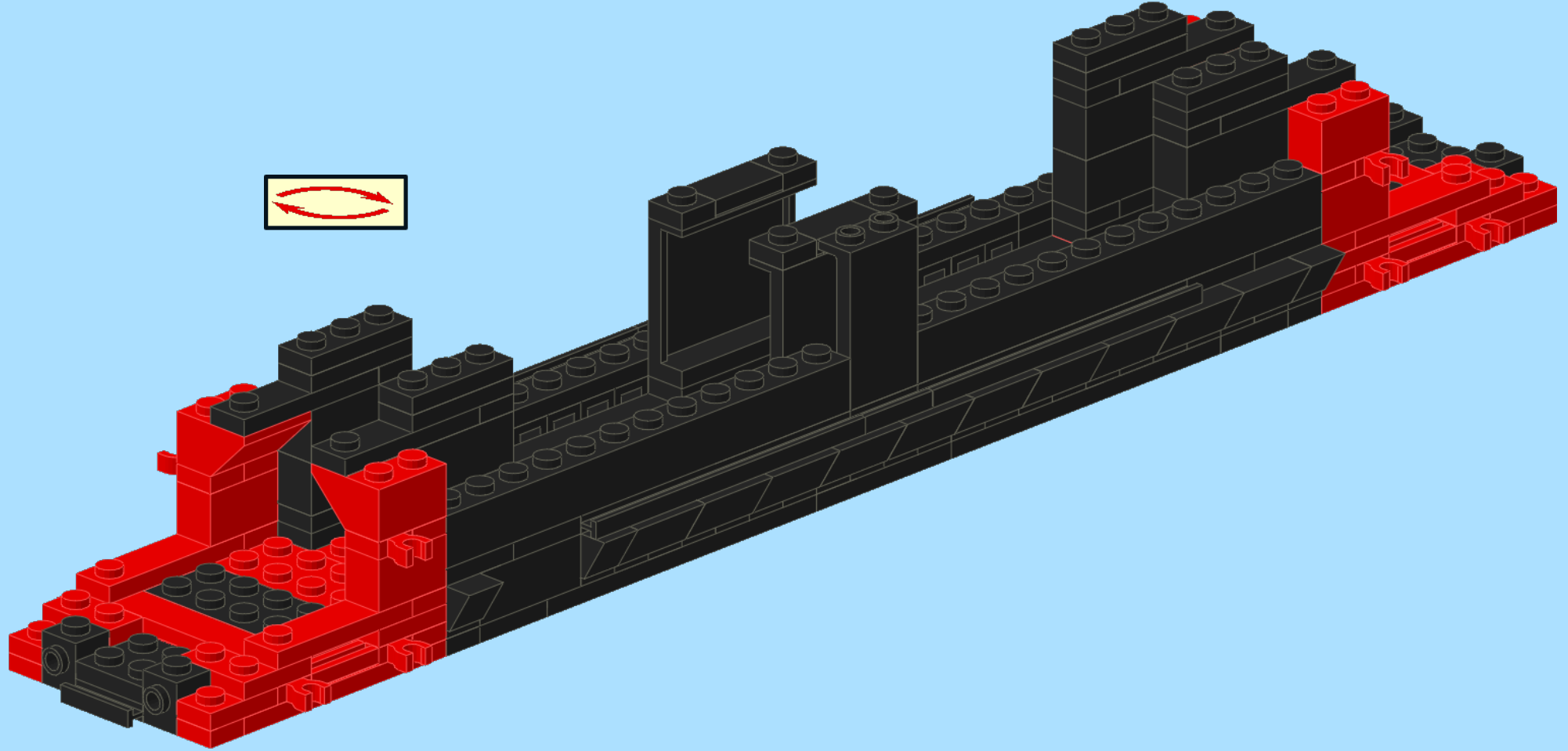
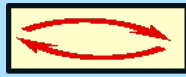
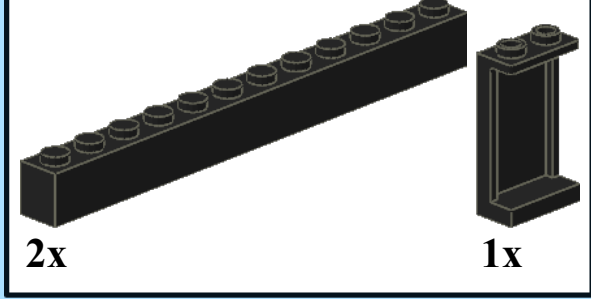
	
2x	2x

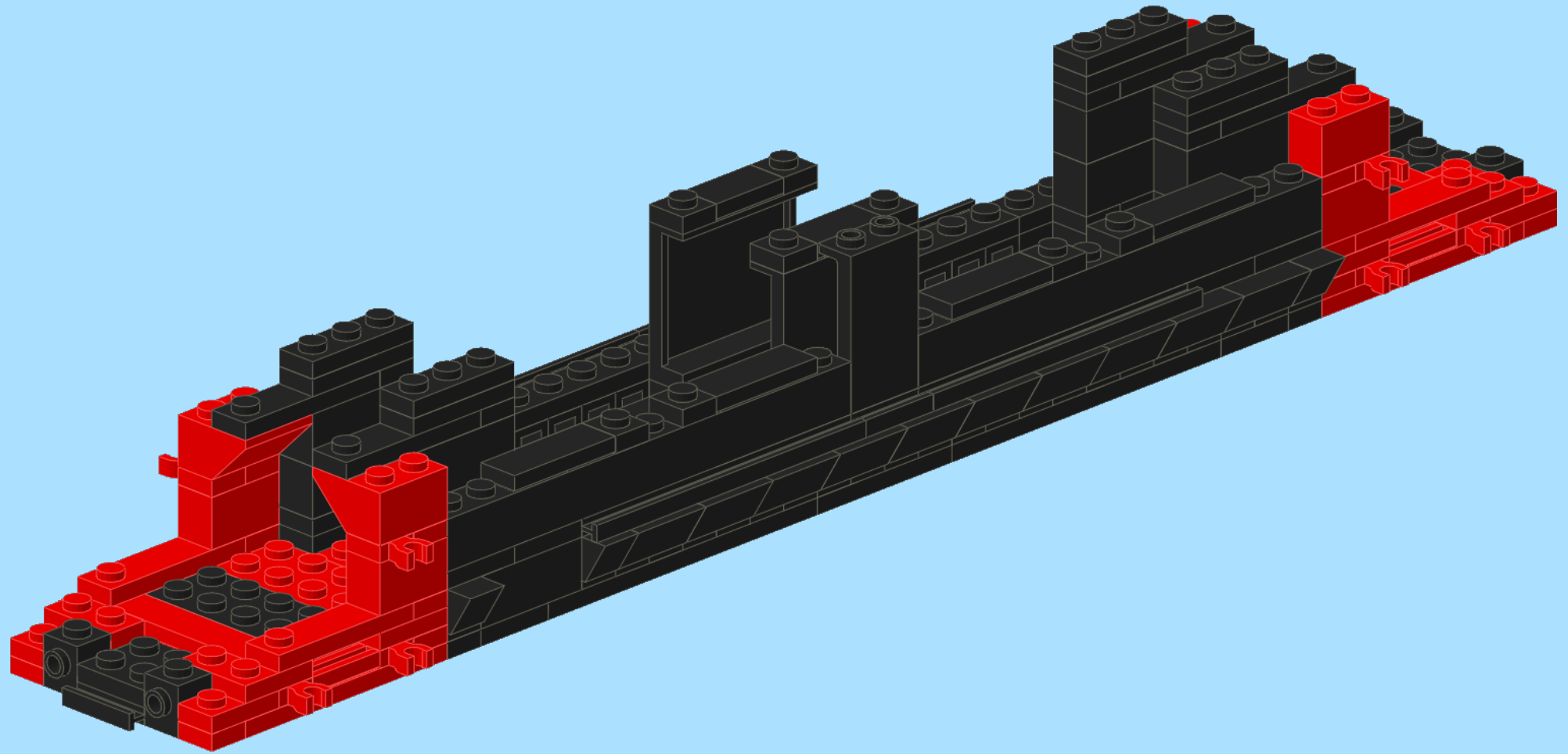


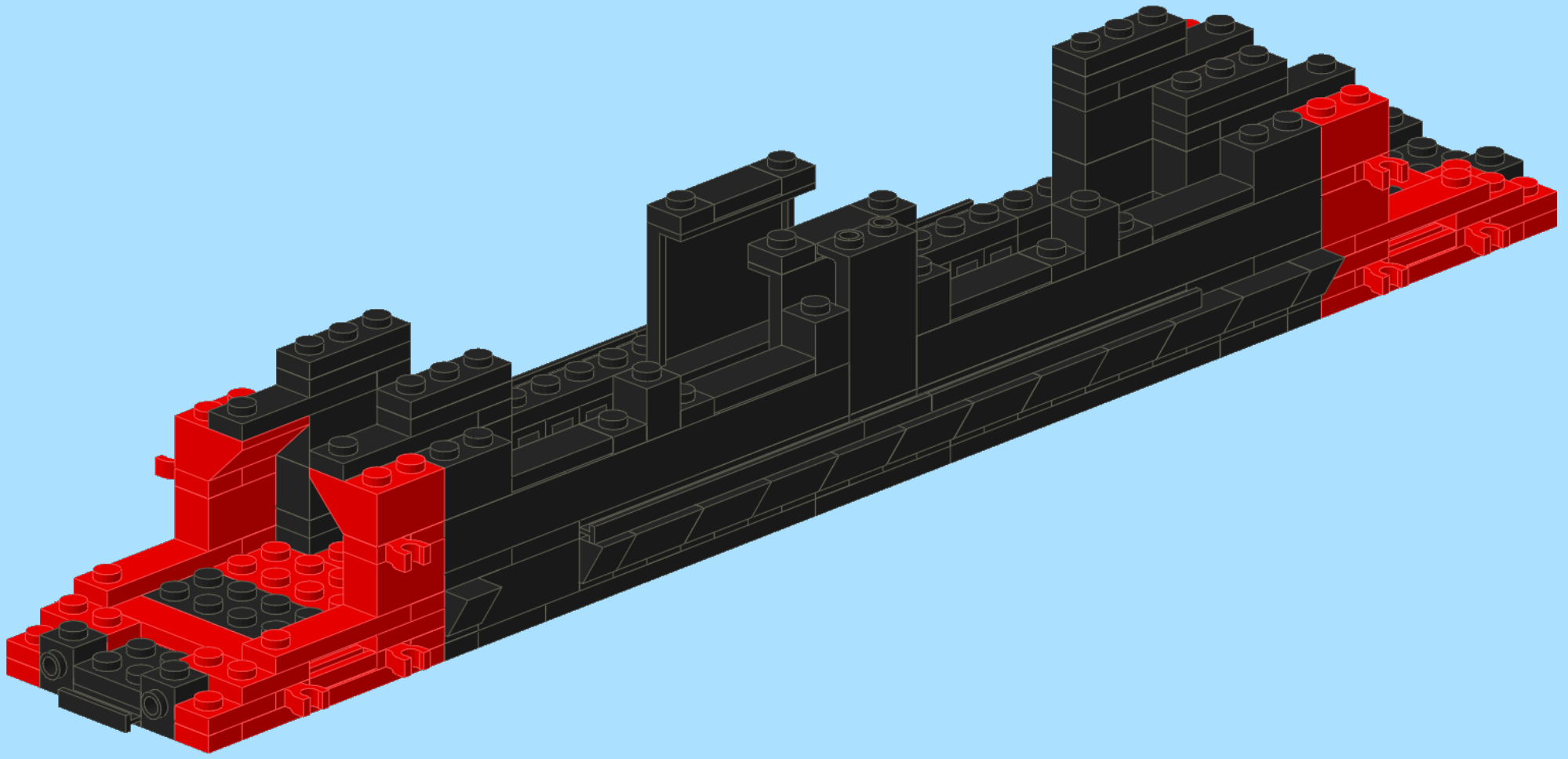
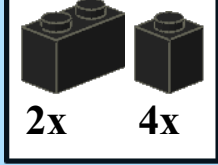


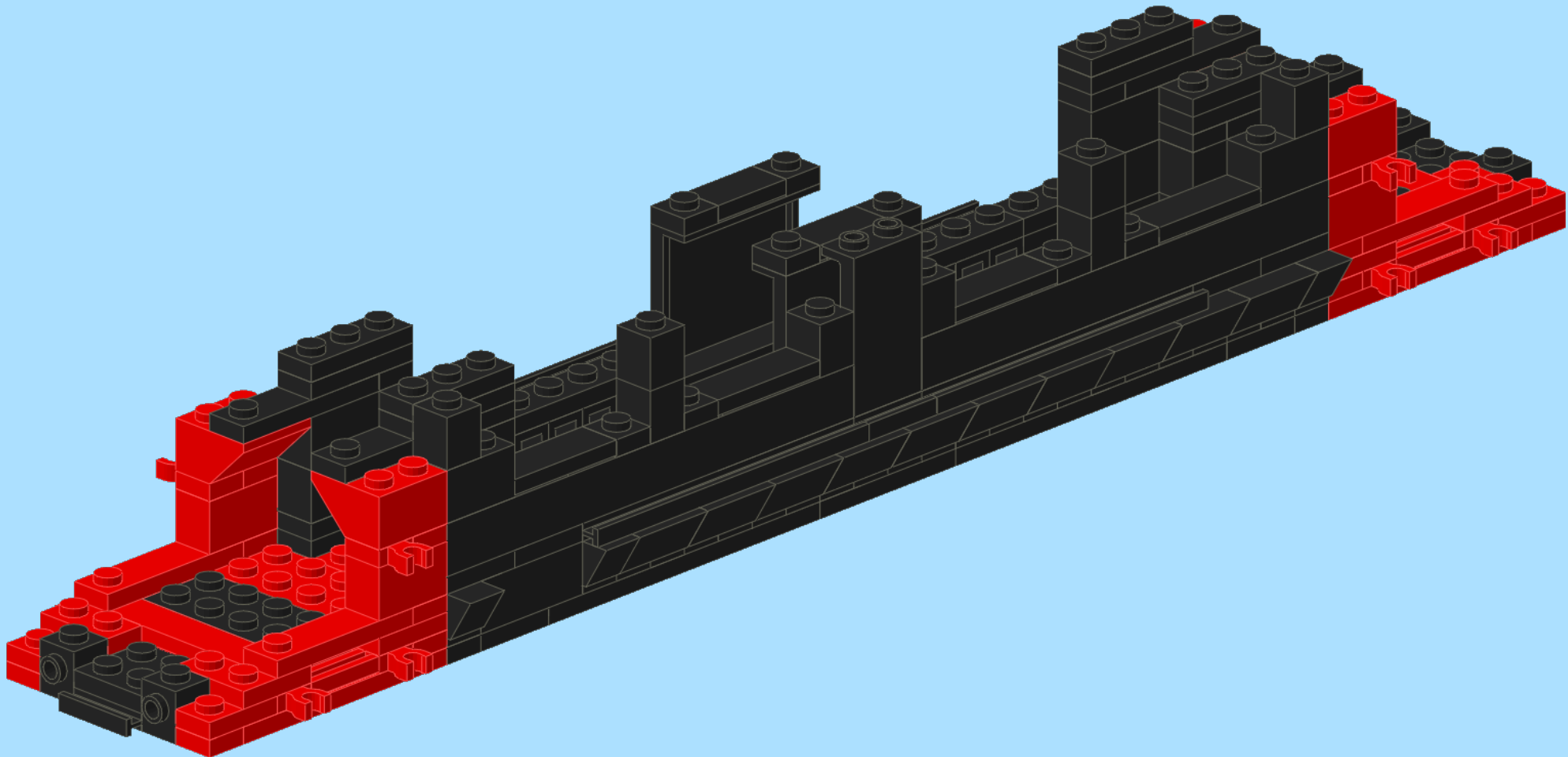


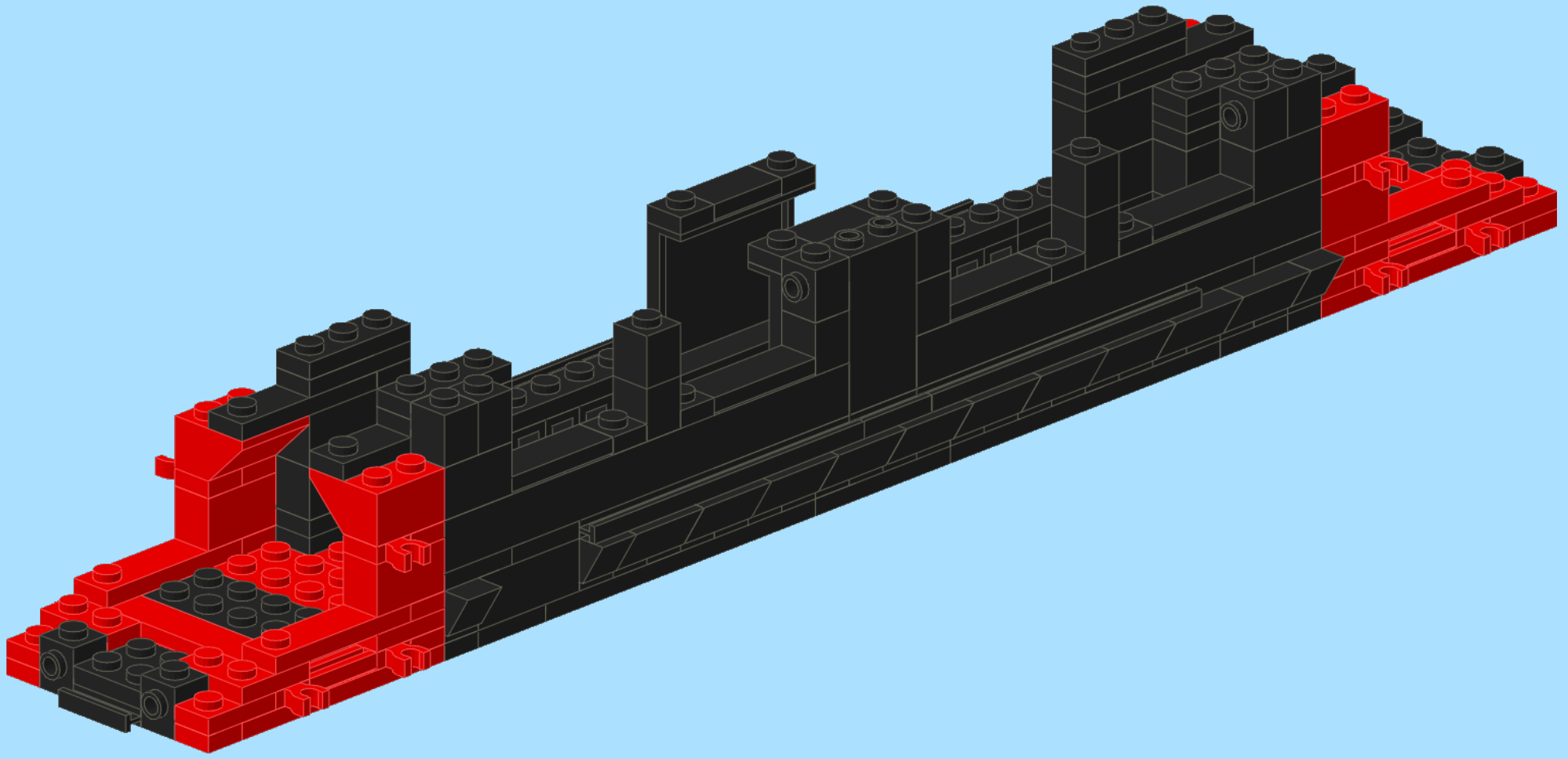


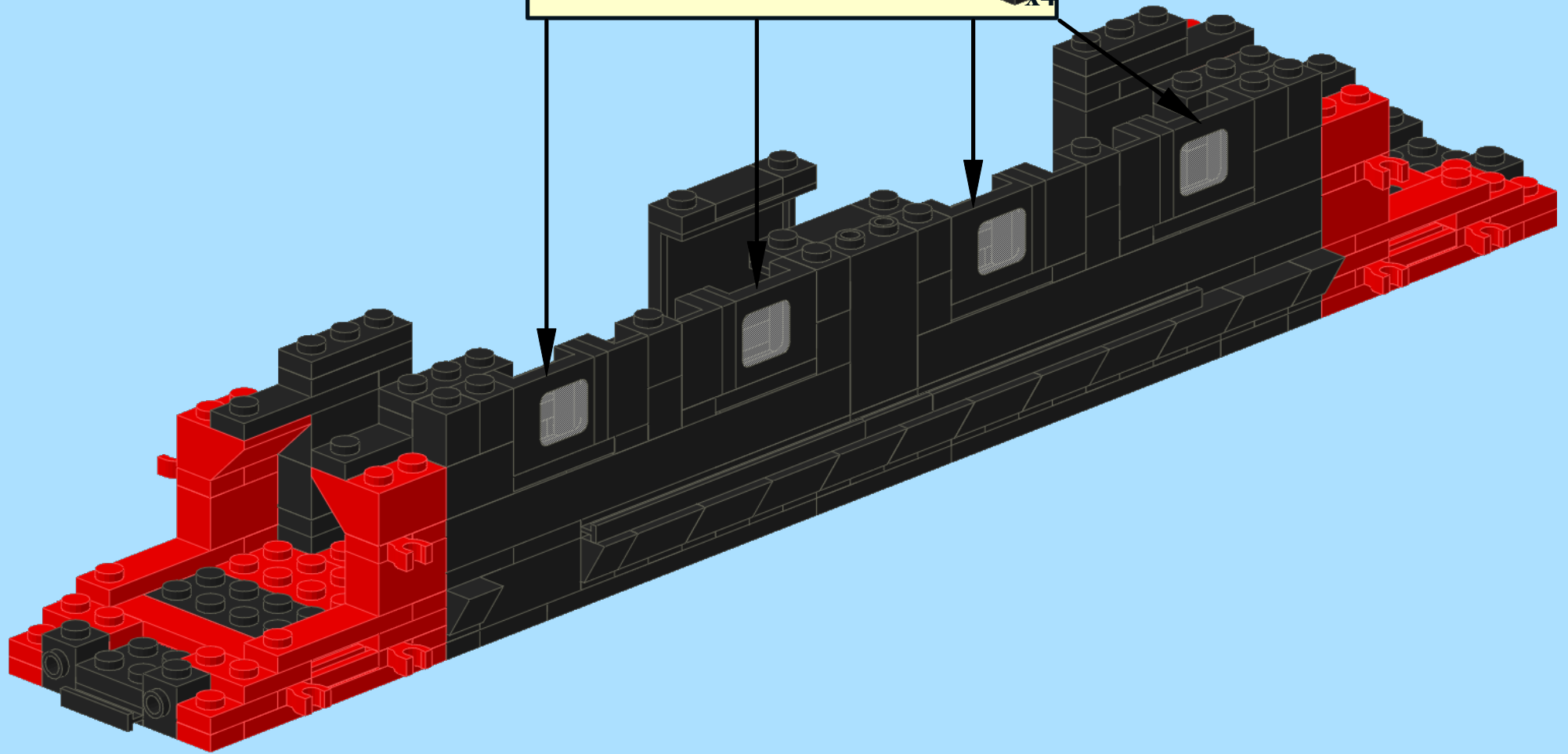
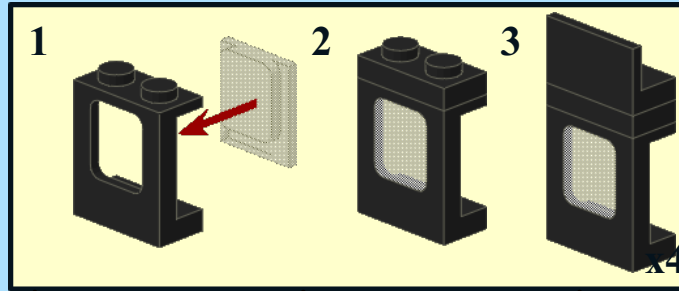
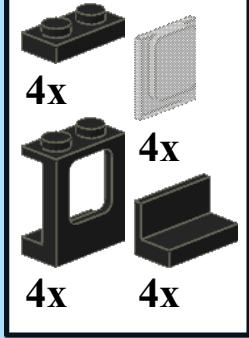


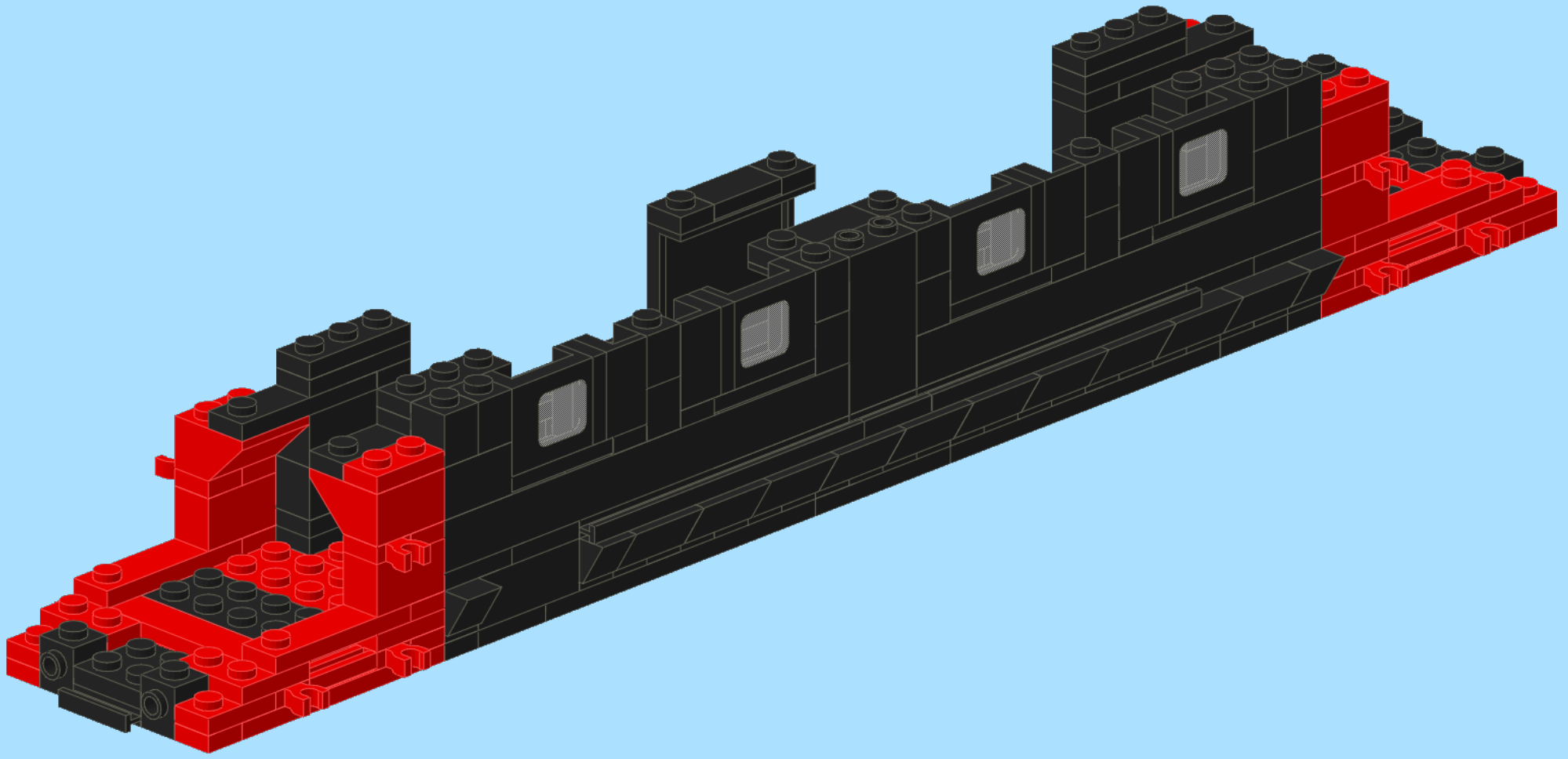
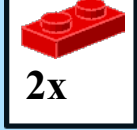


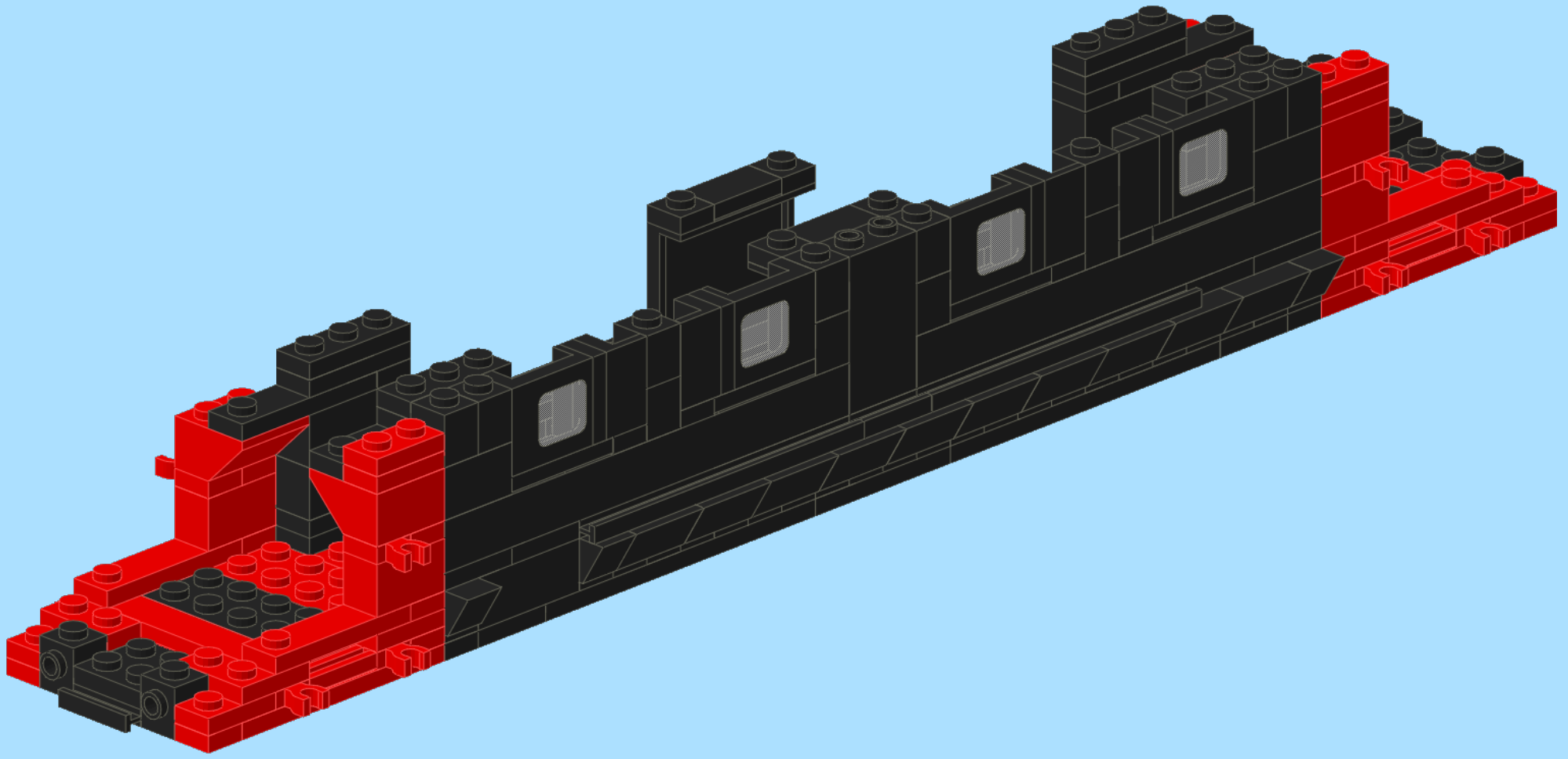
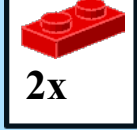


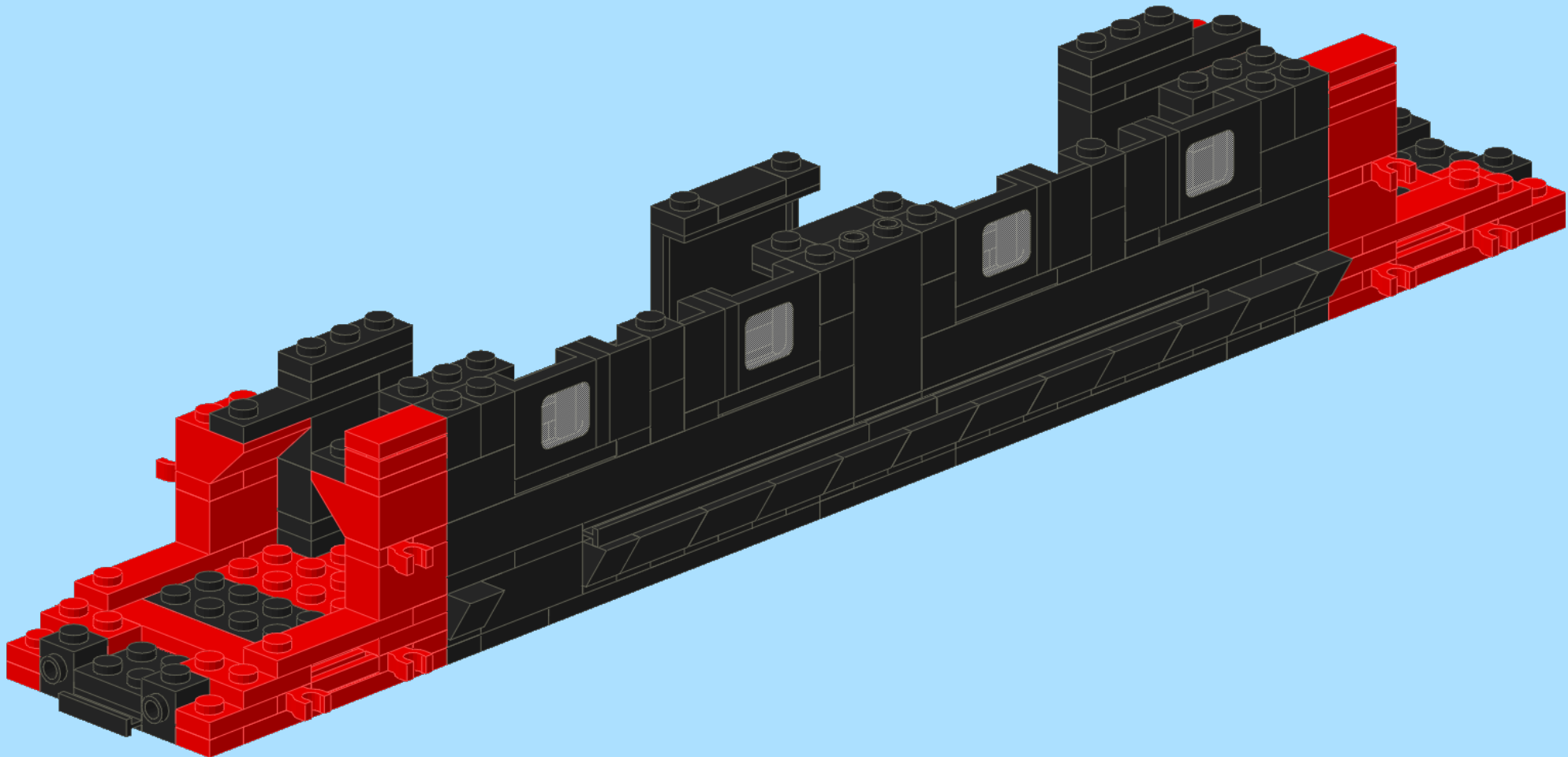


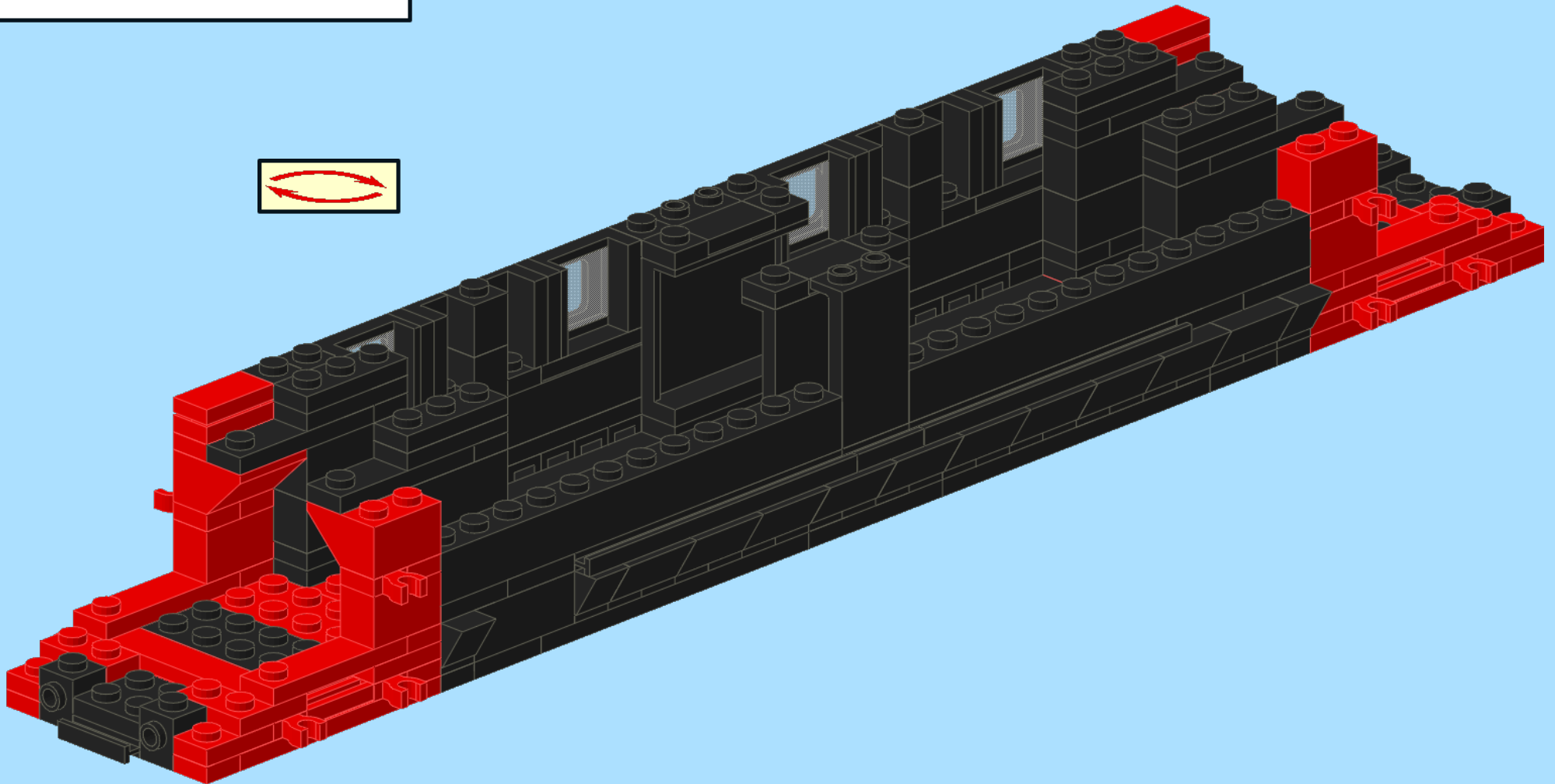
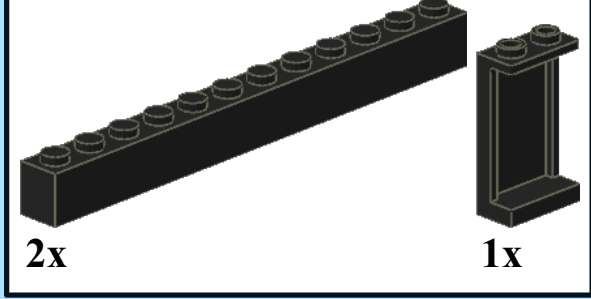


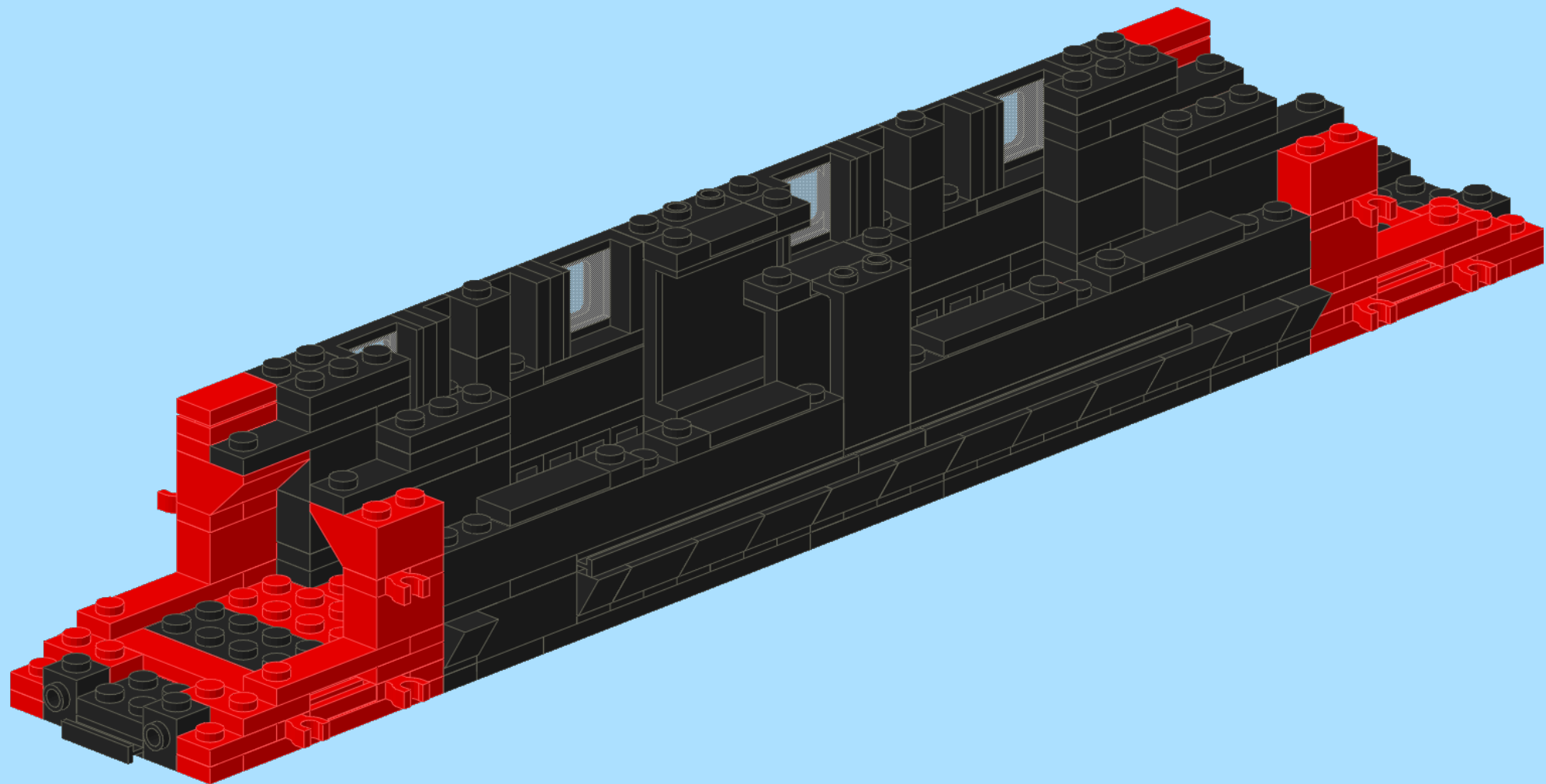
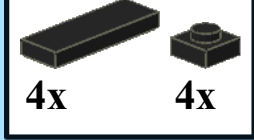


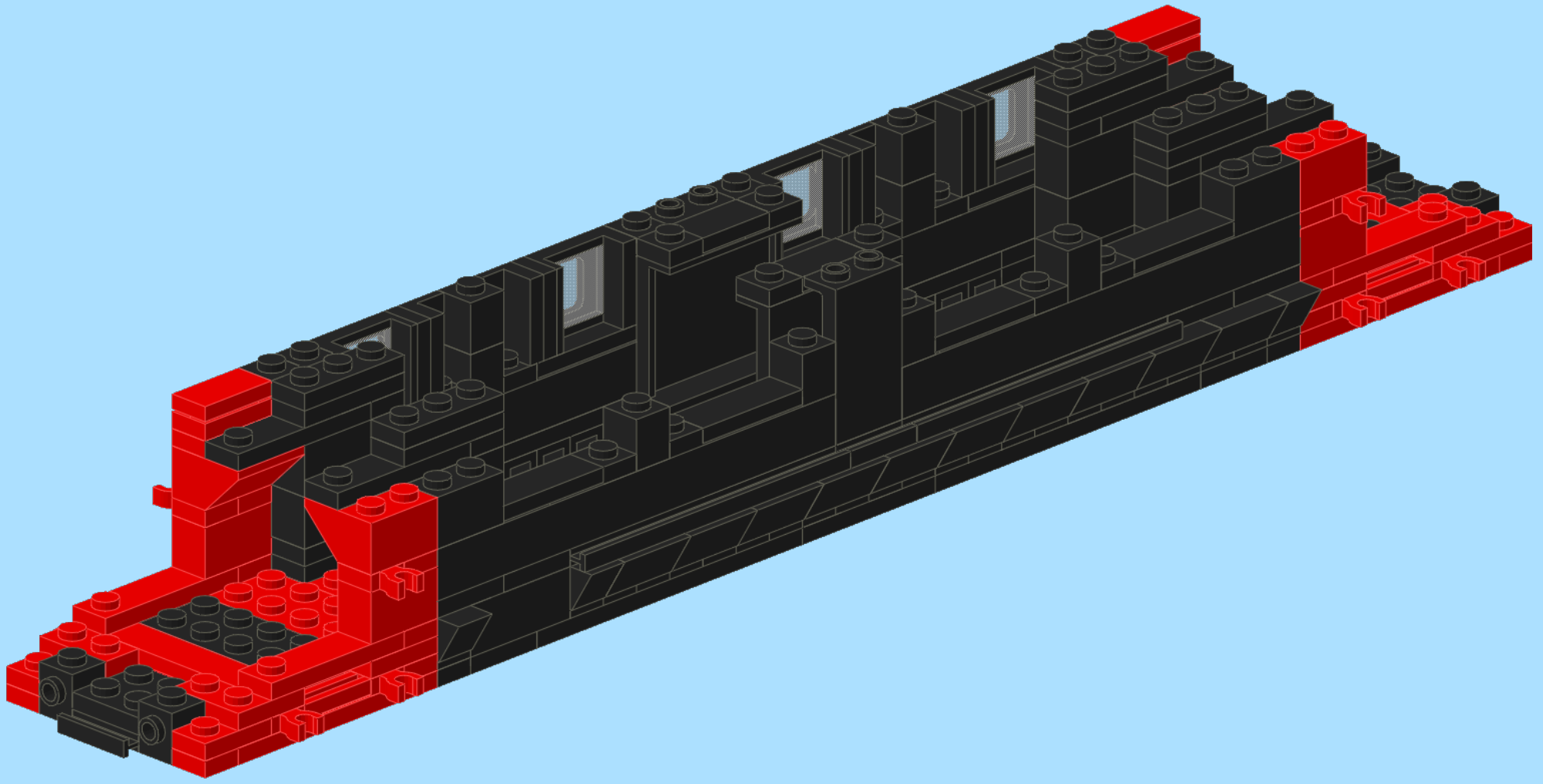
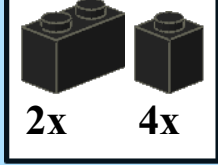


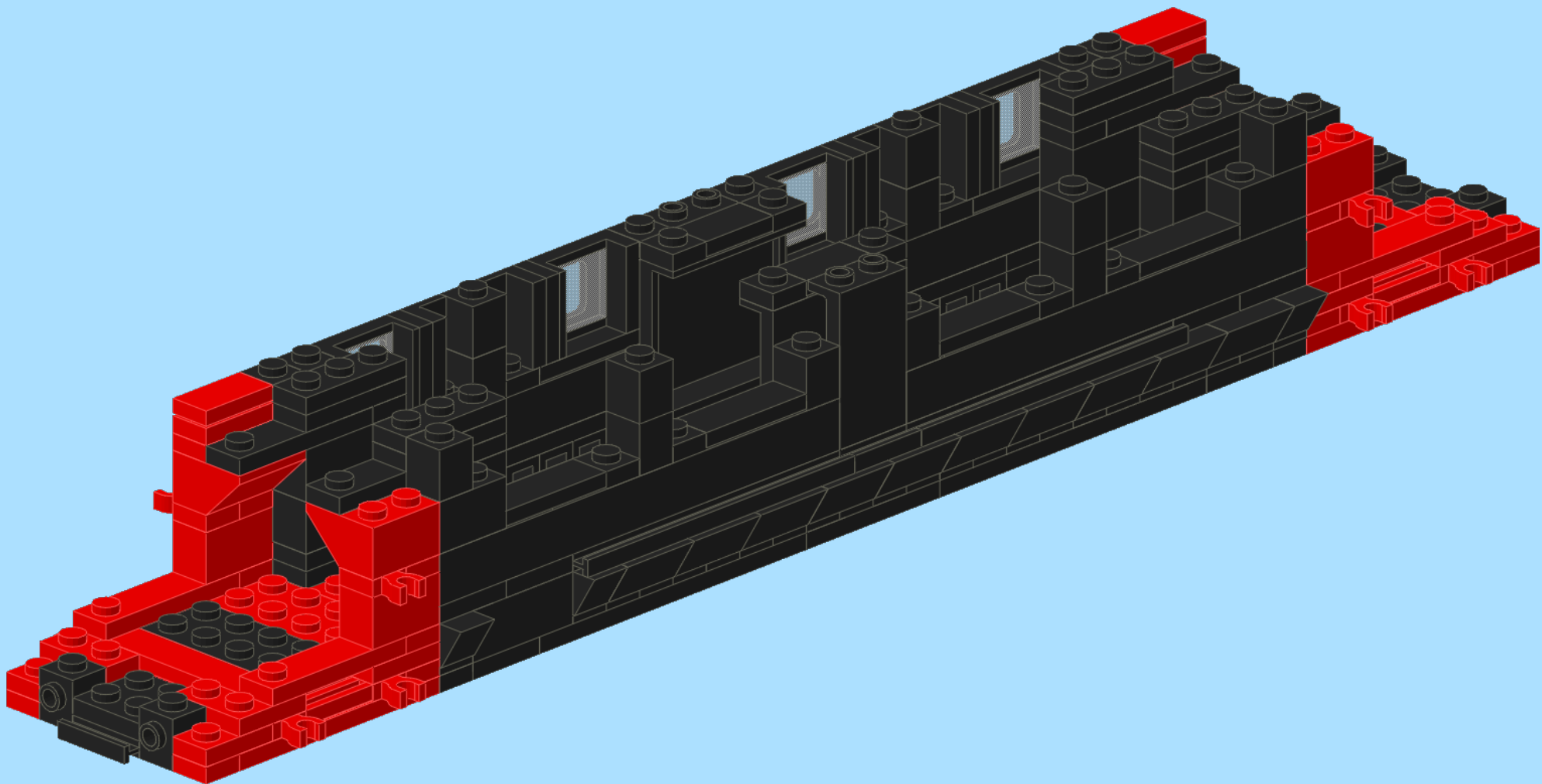


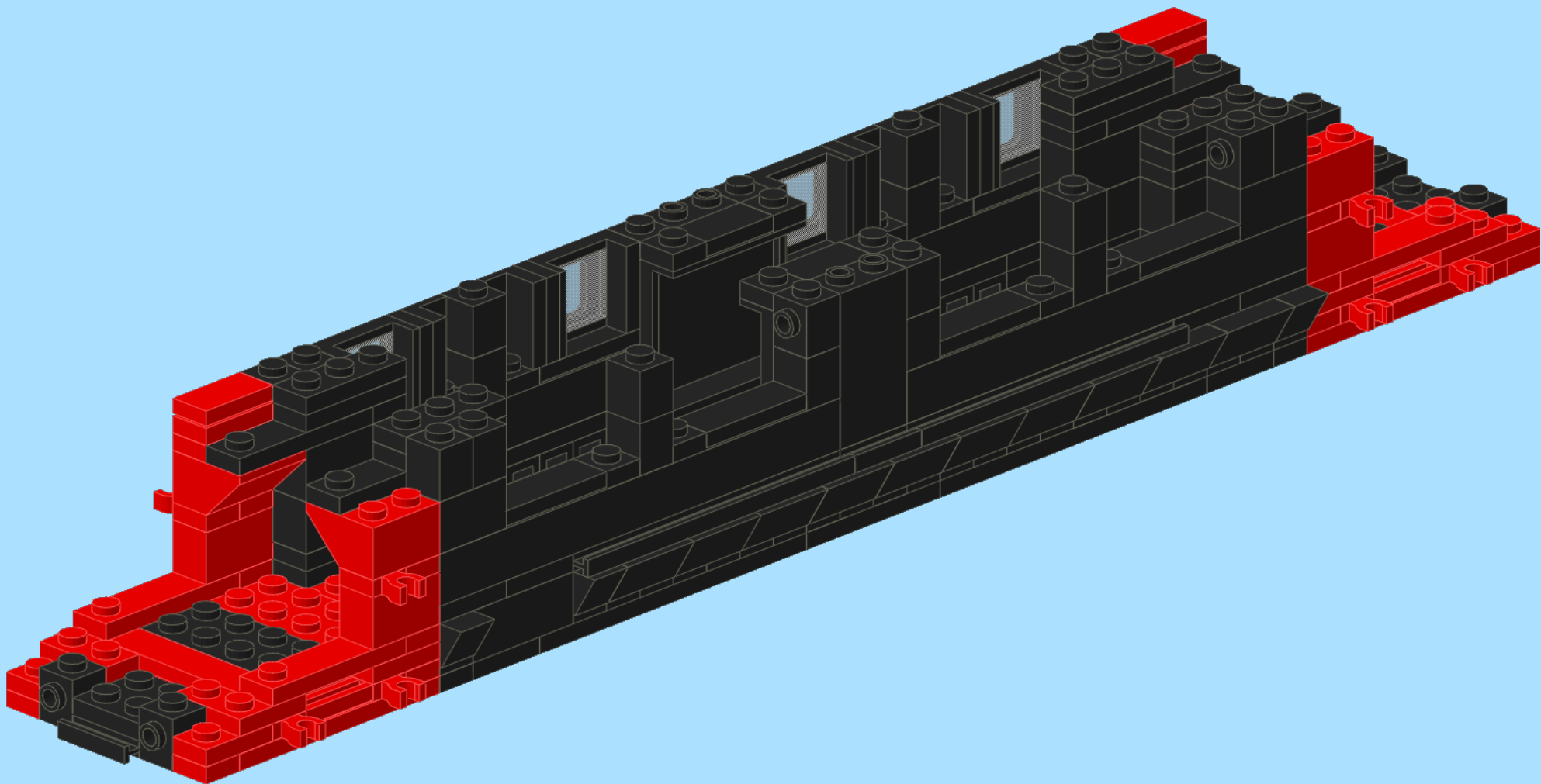


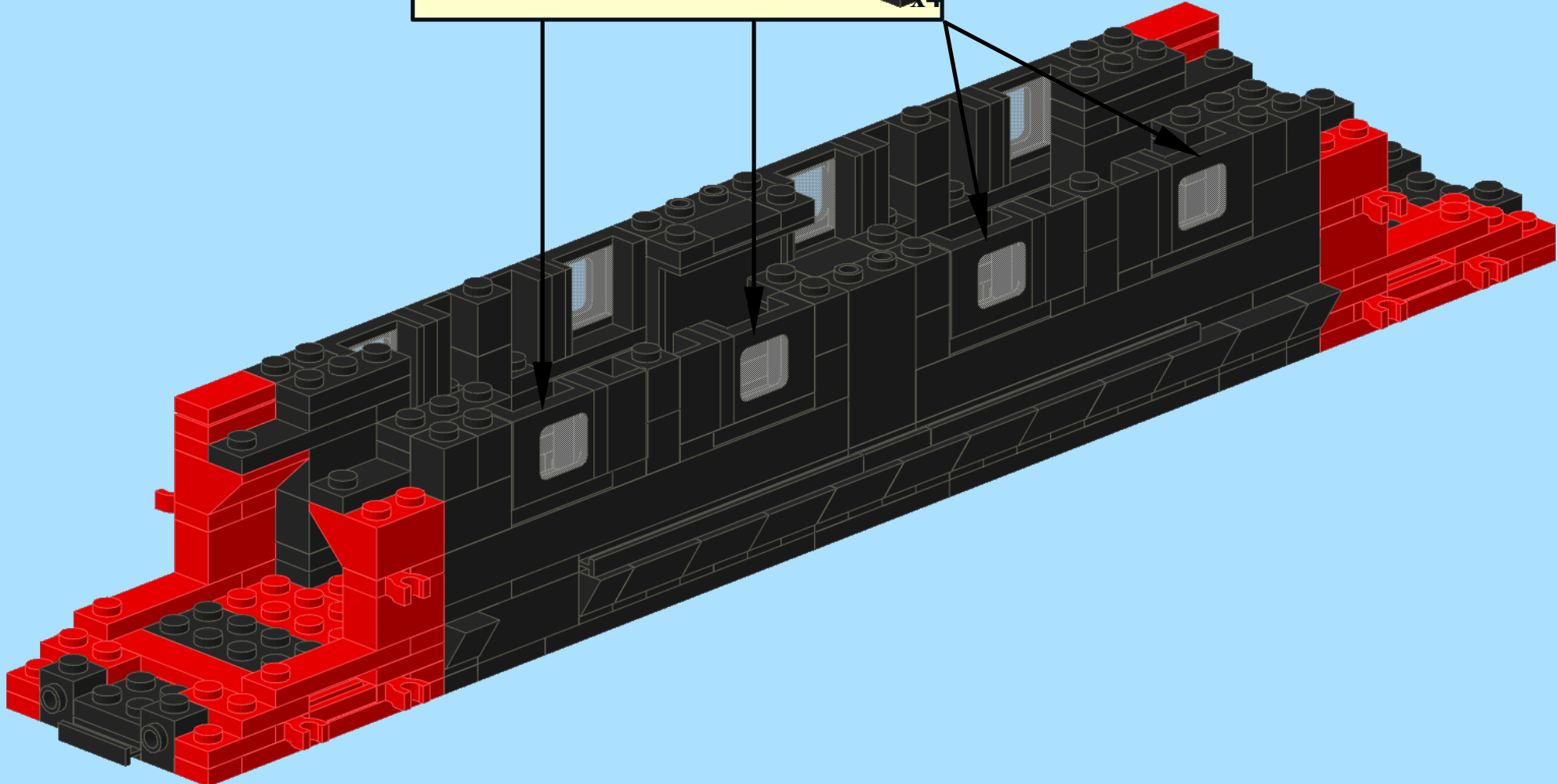
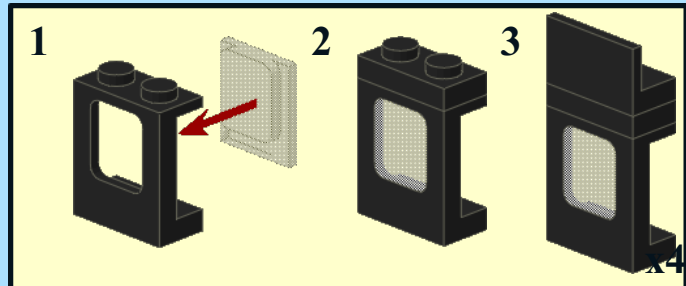
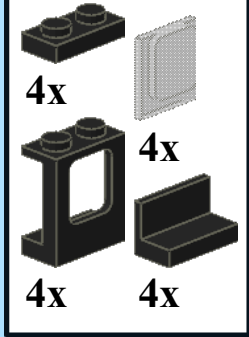


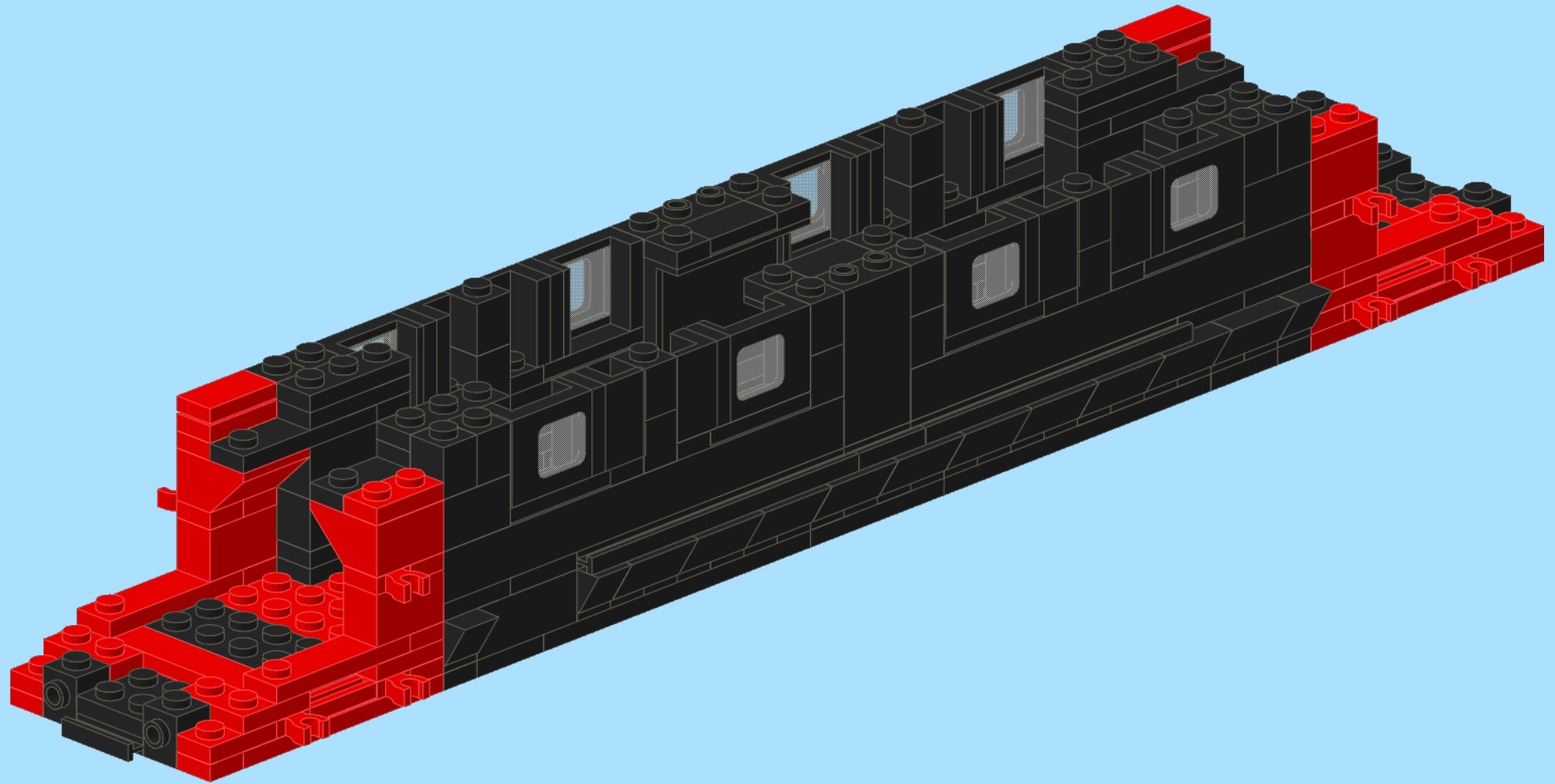
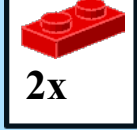


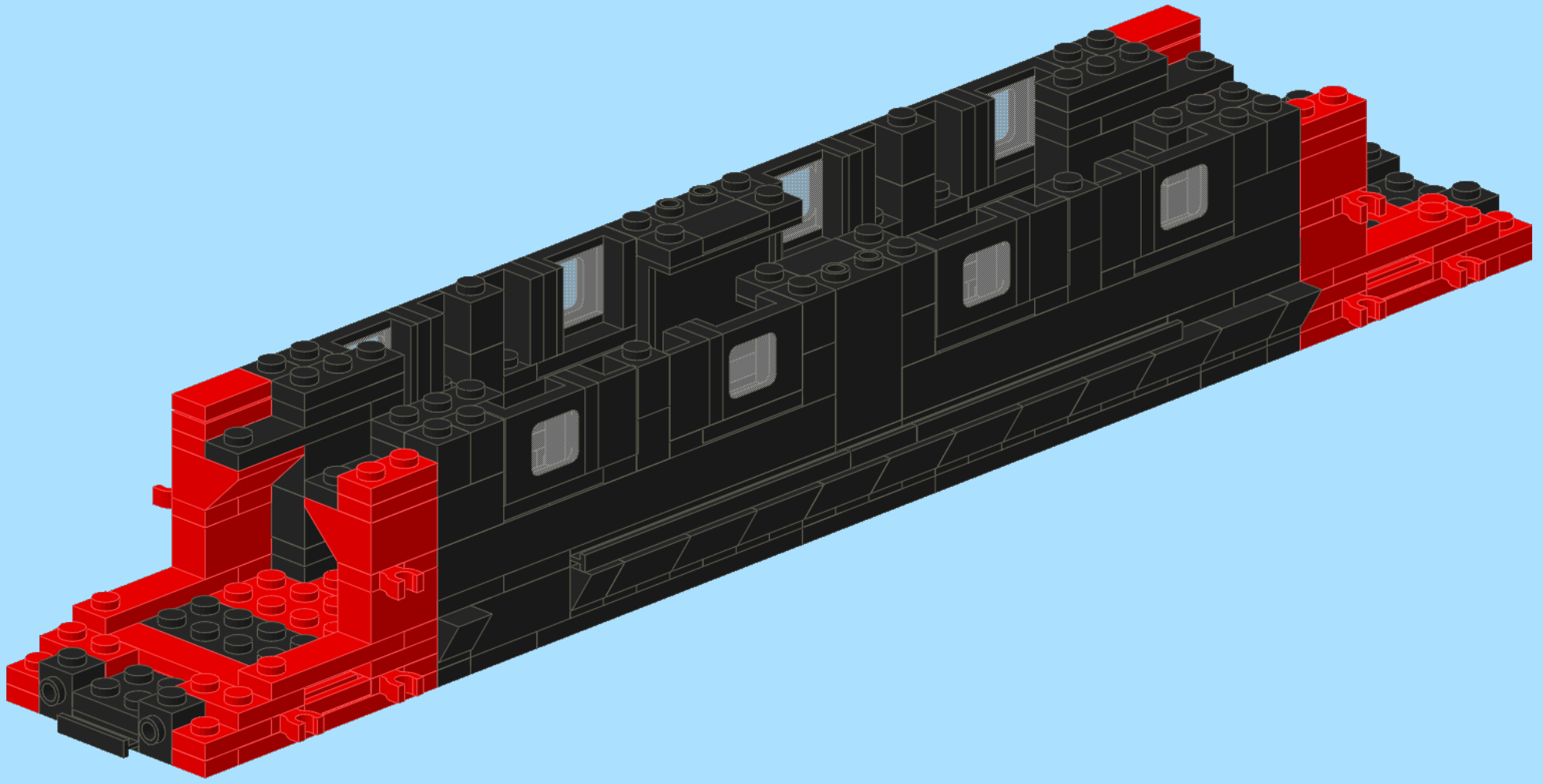
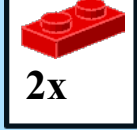


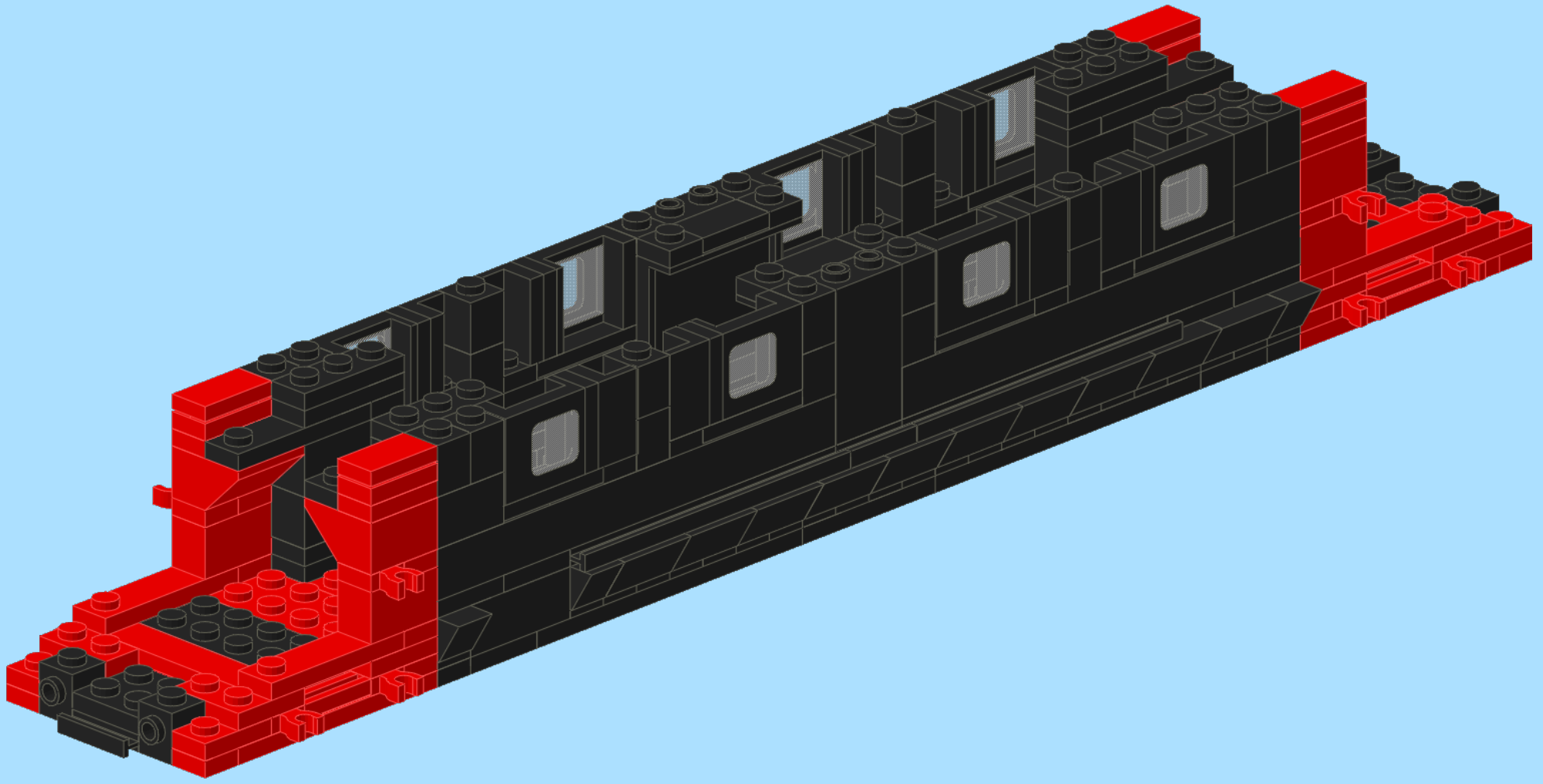



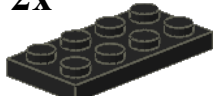




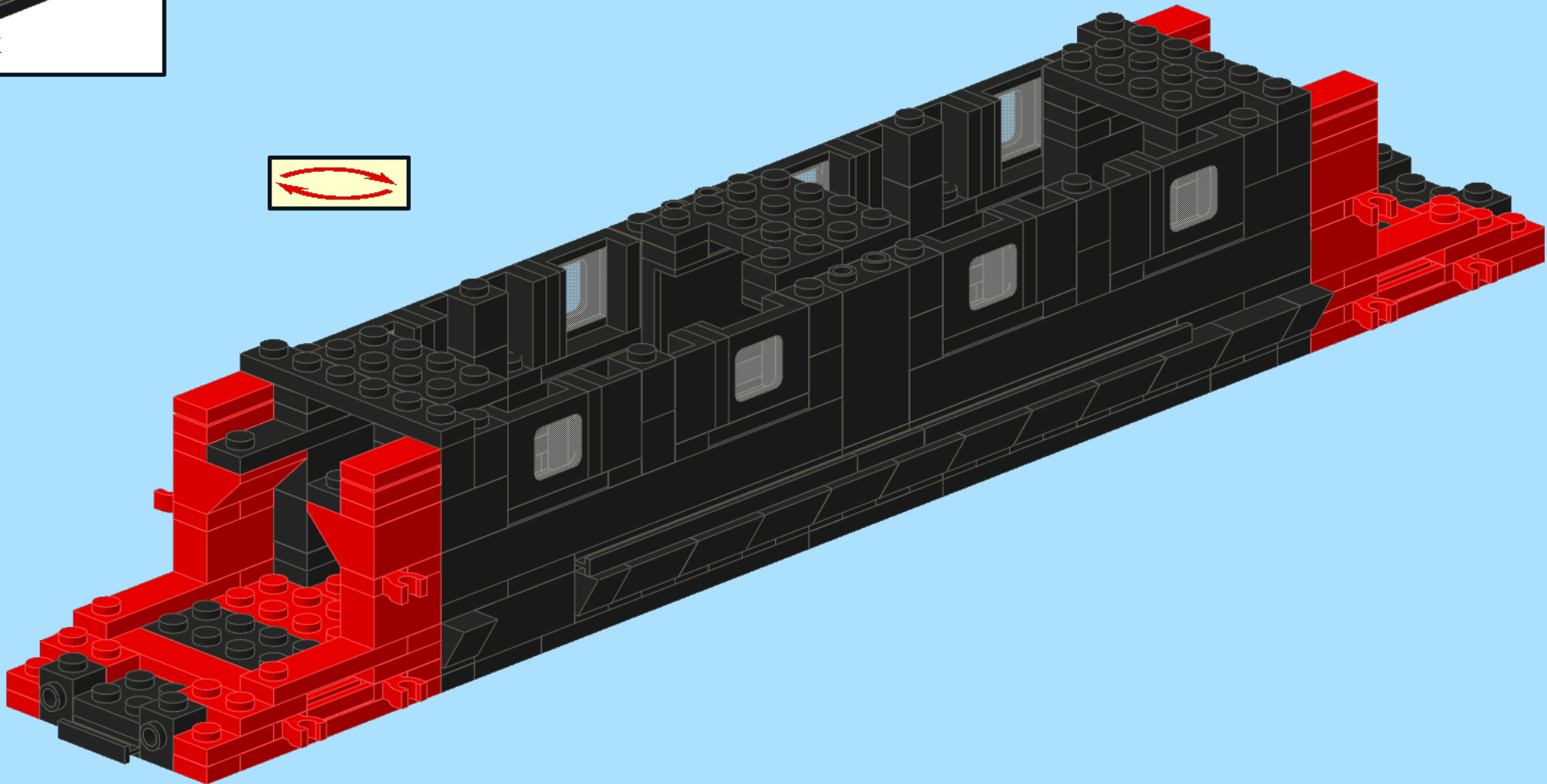


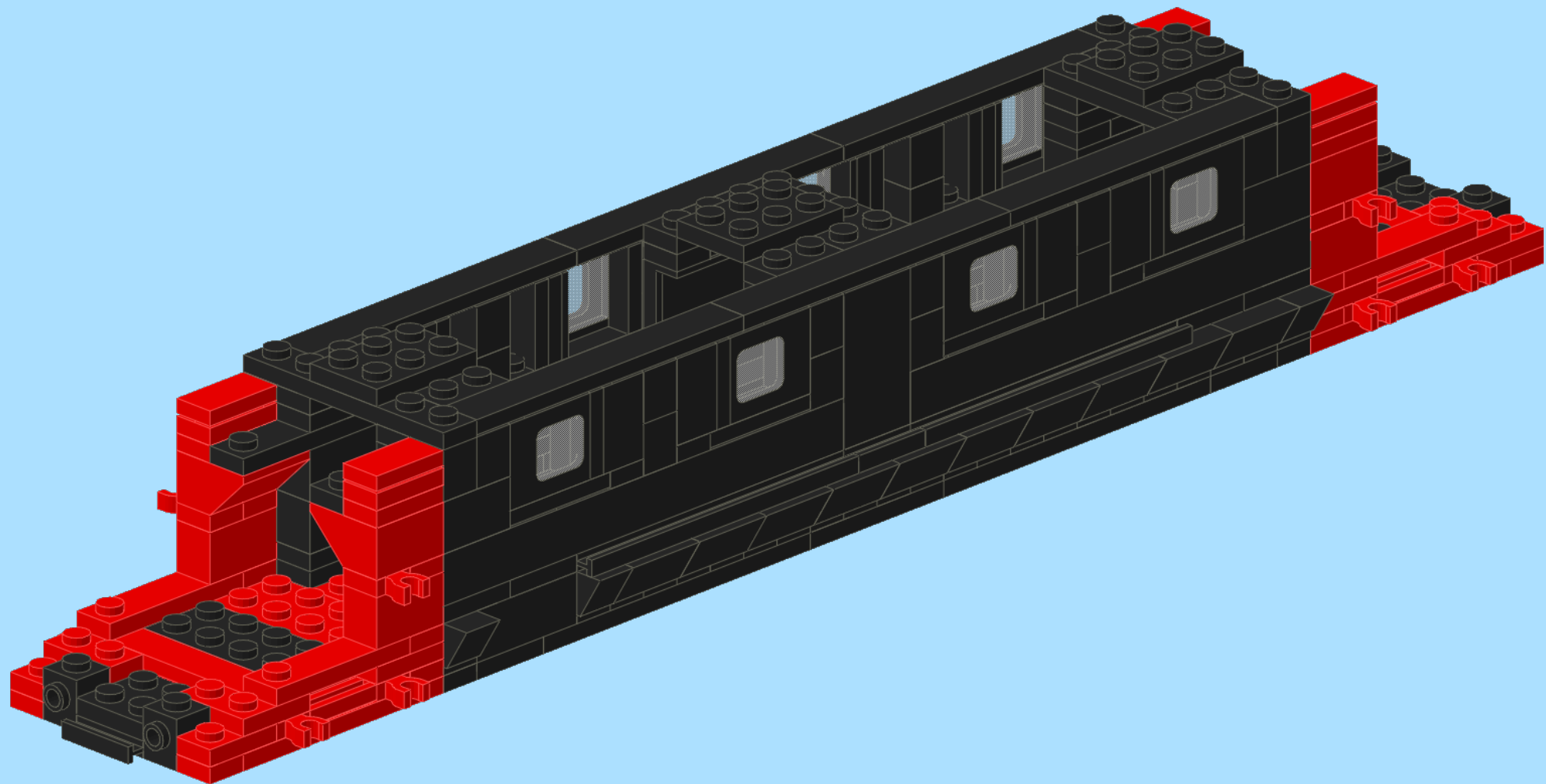
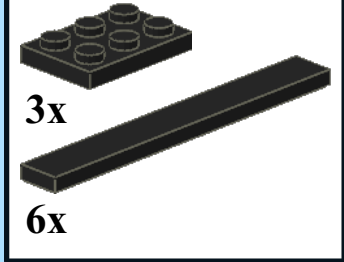


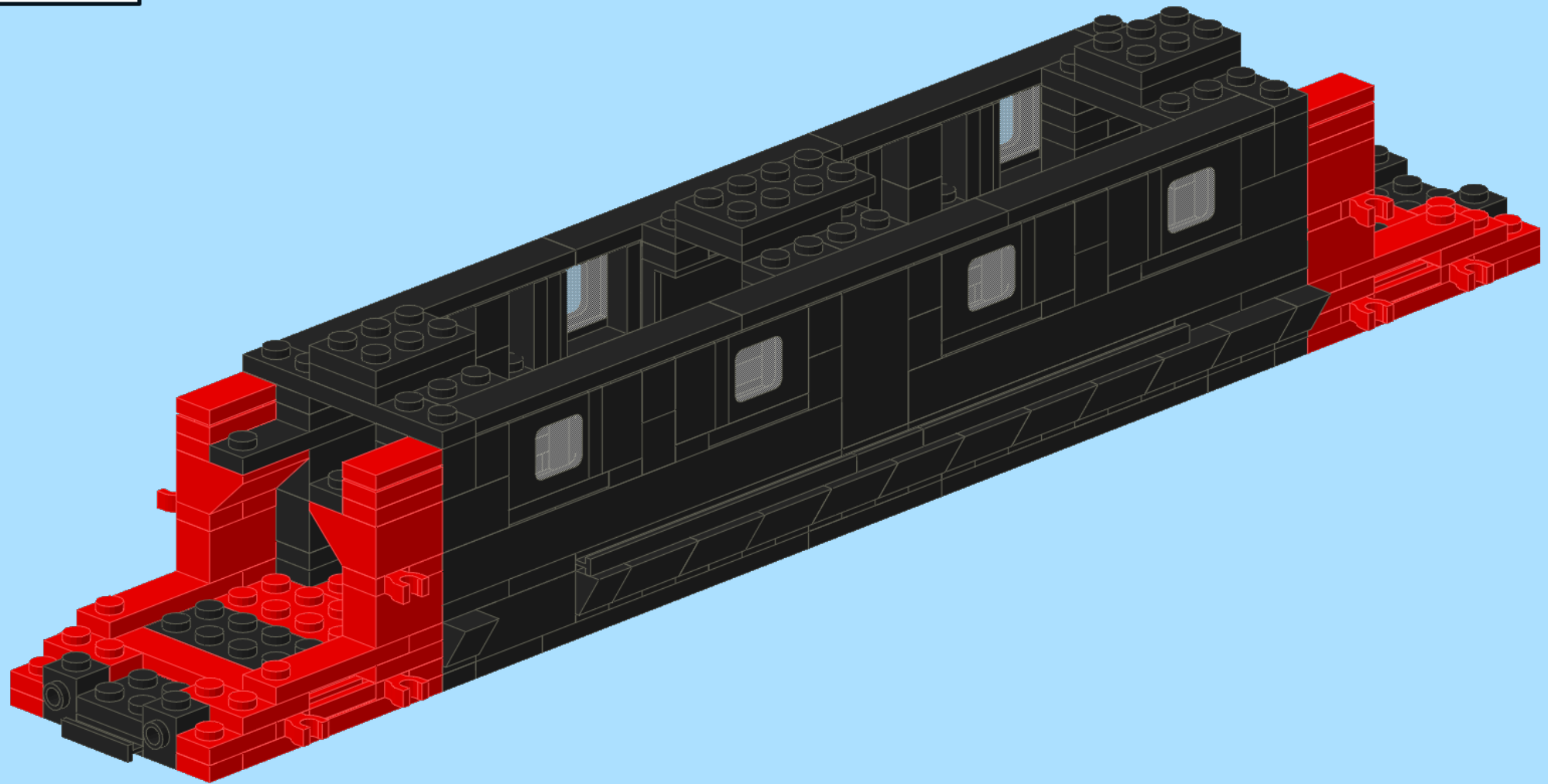
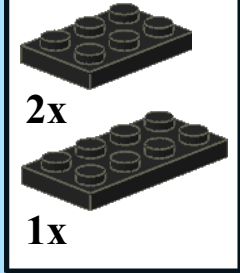


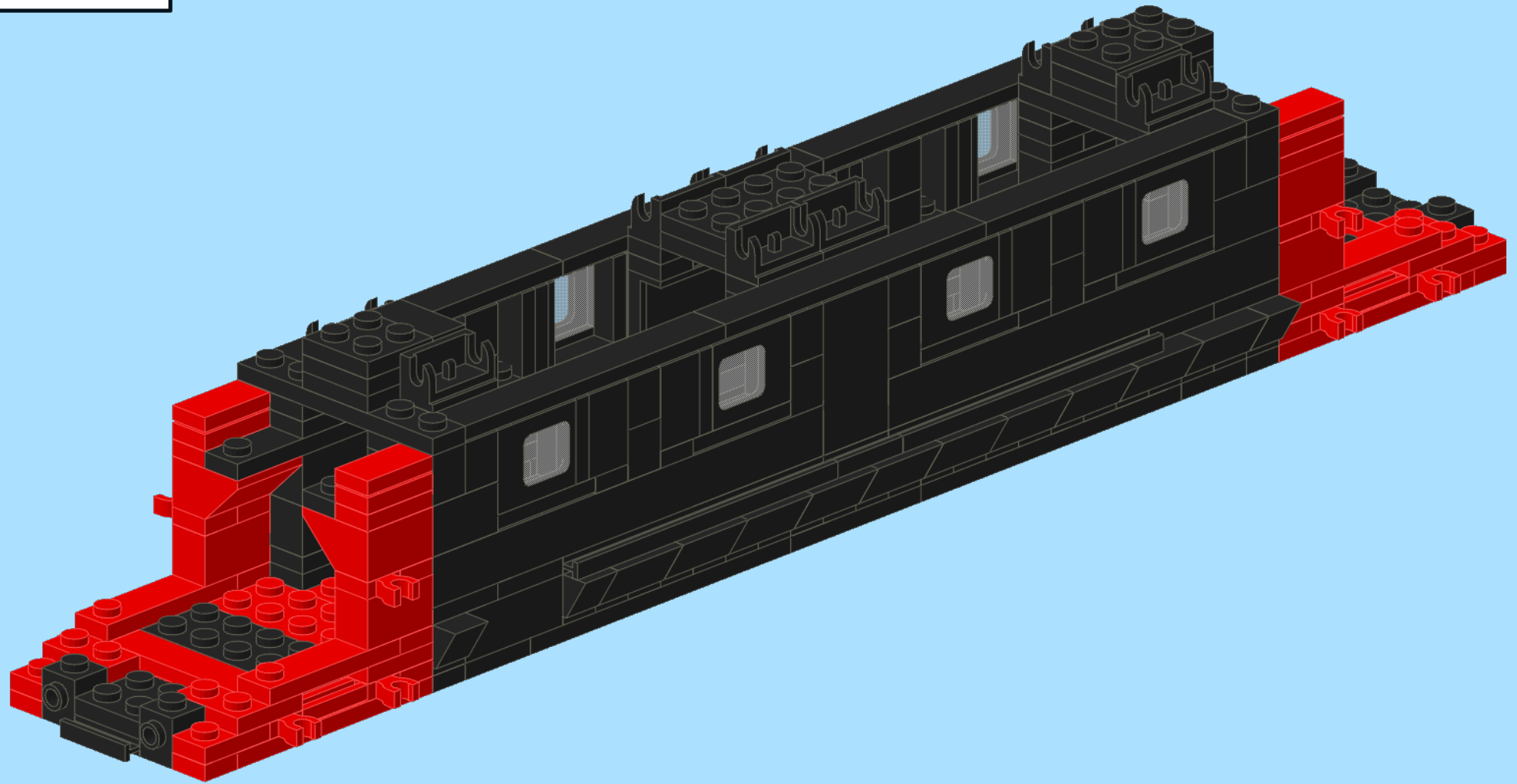
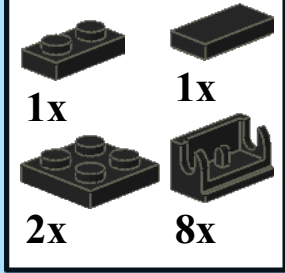


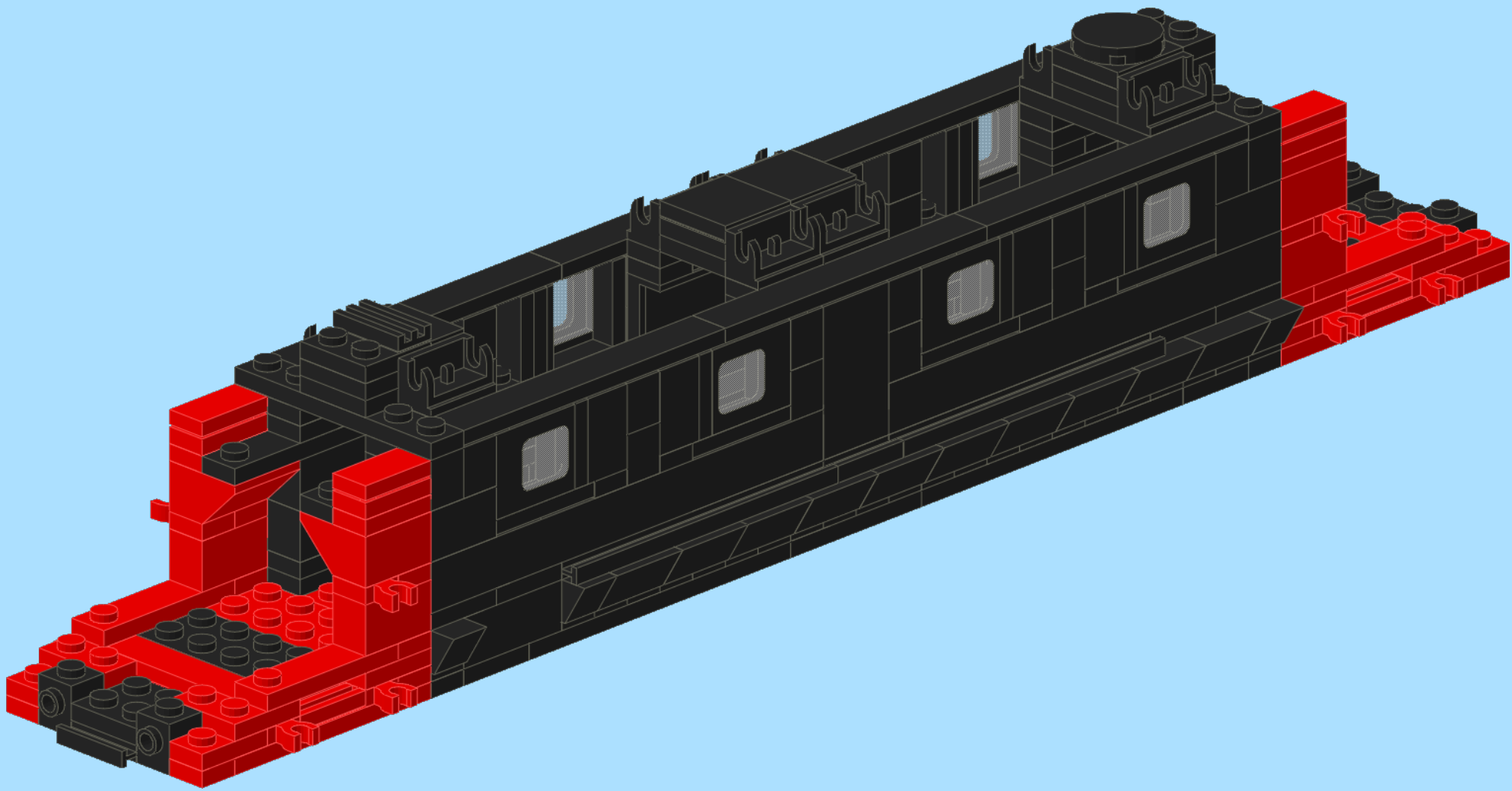
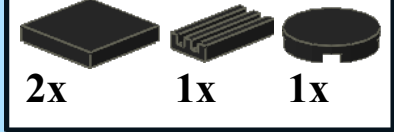
- 2x 
- 2x 
- 3x 
- 2x 

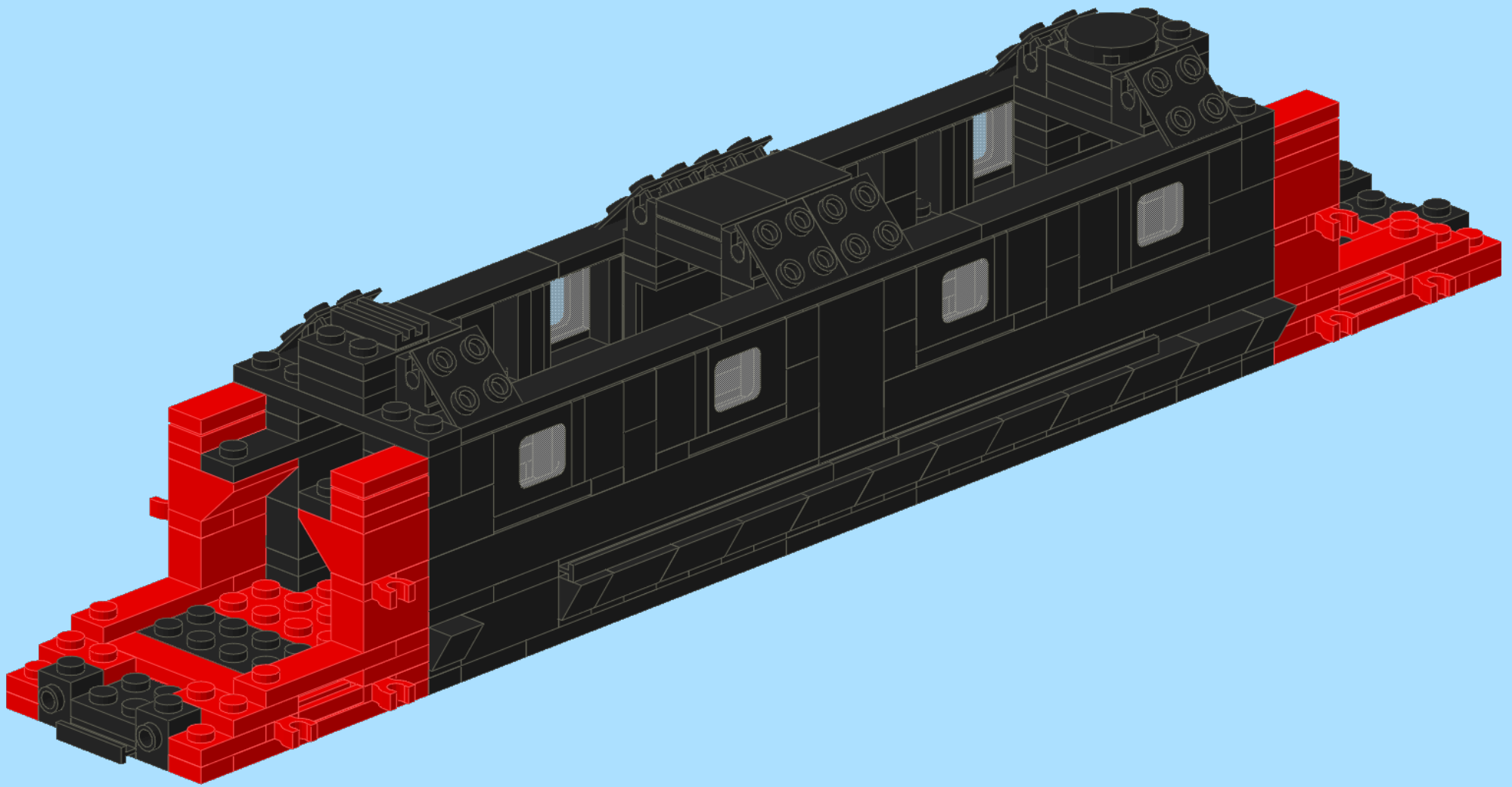
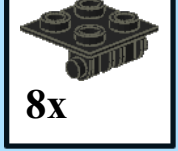


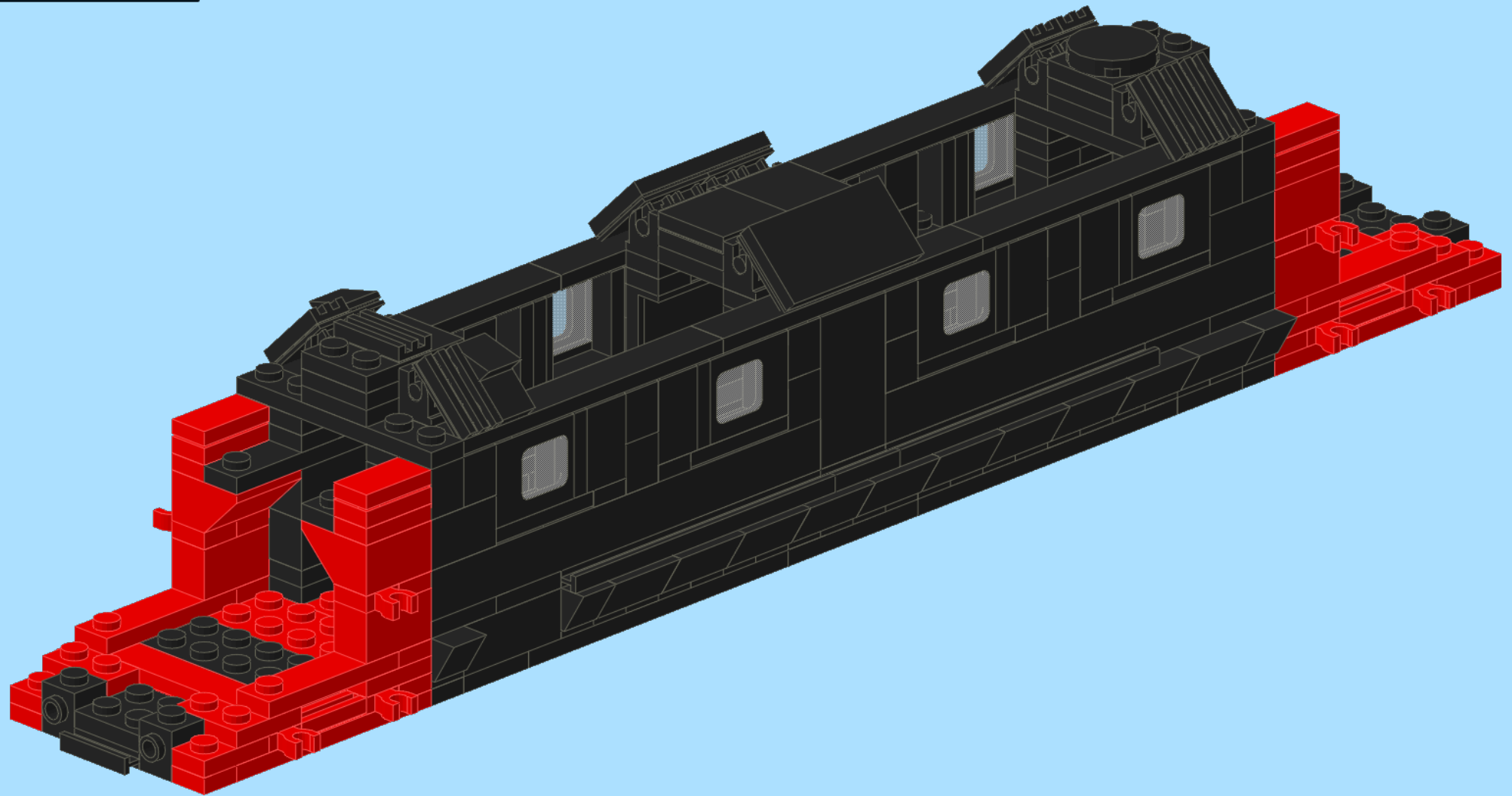
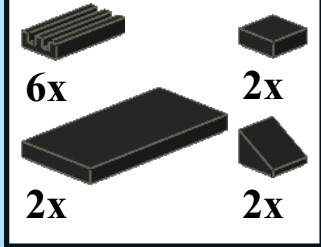


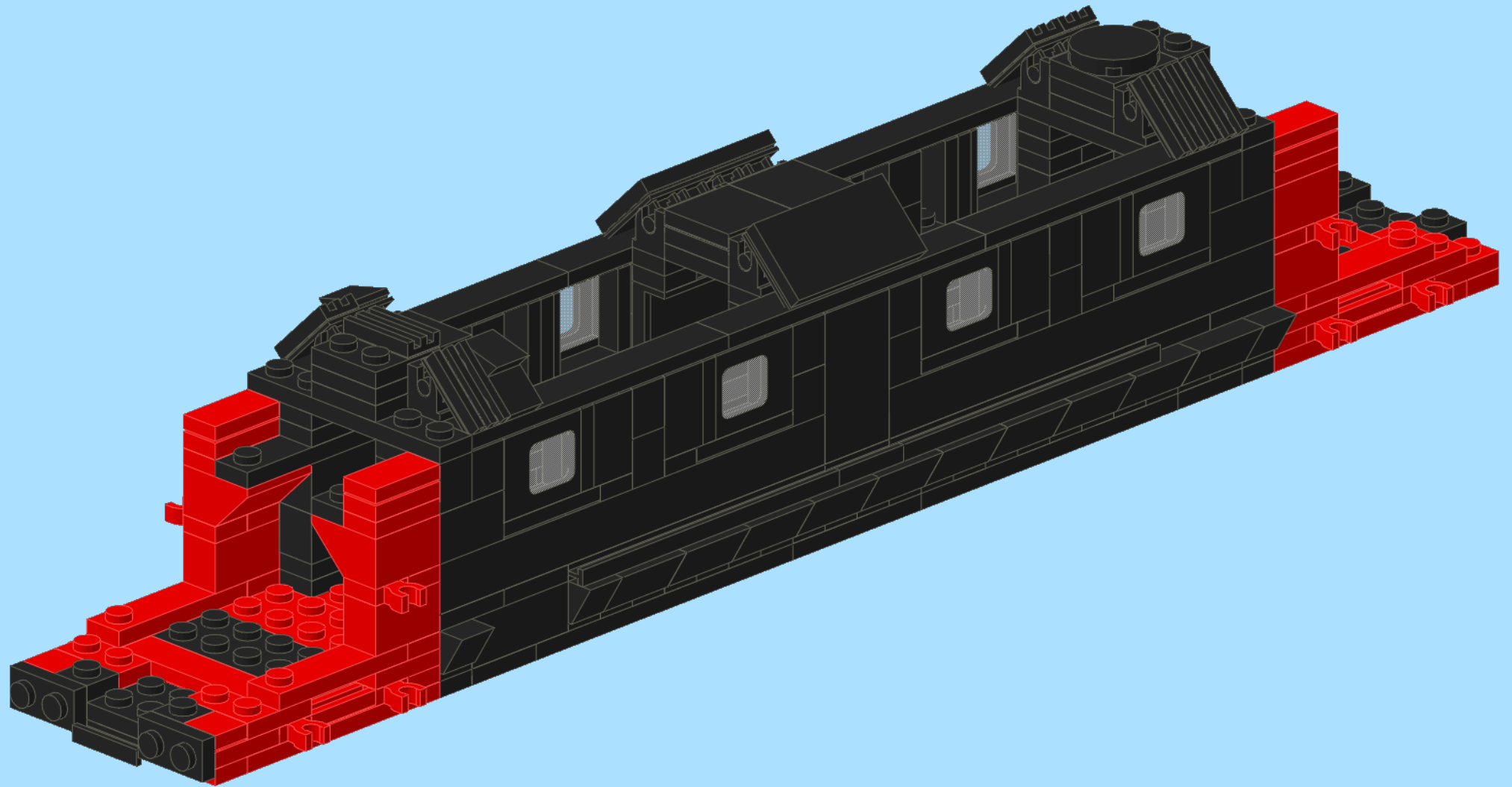
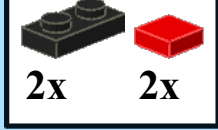


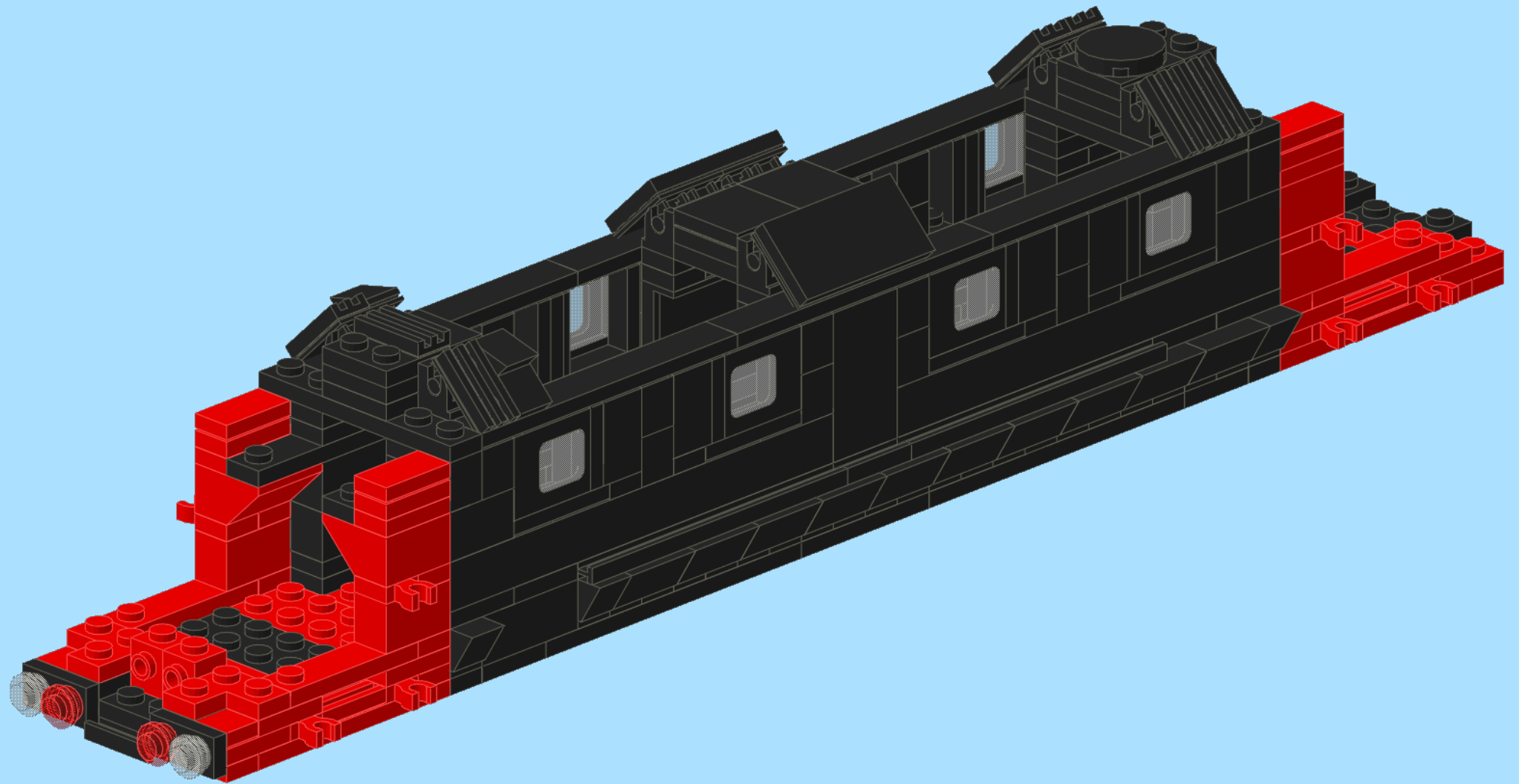
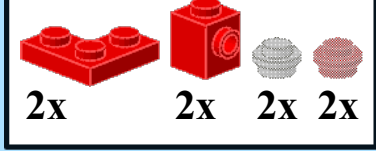


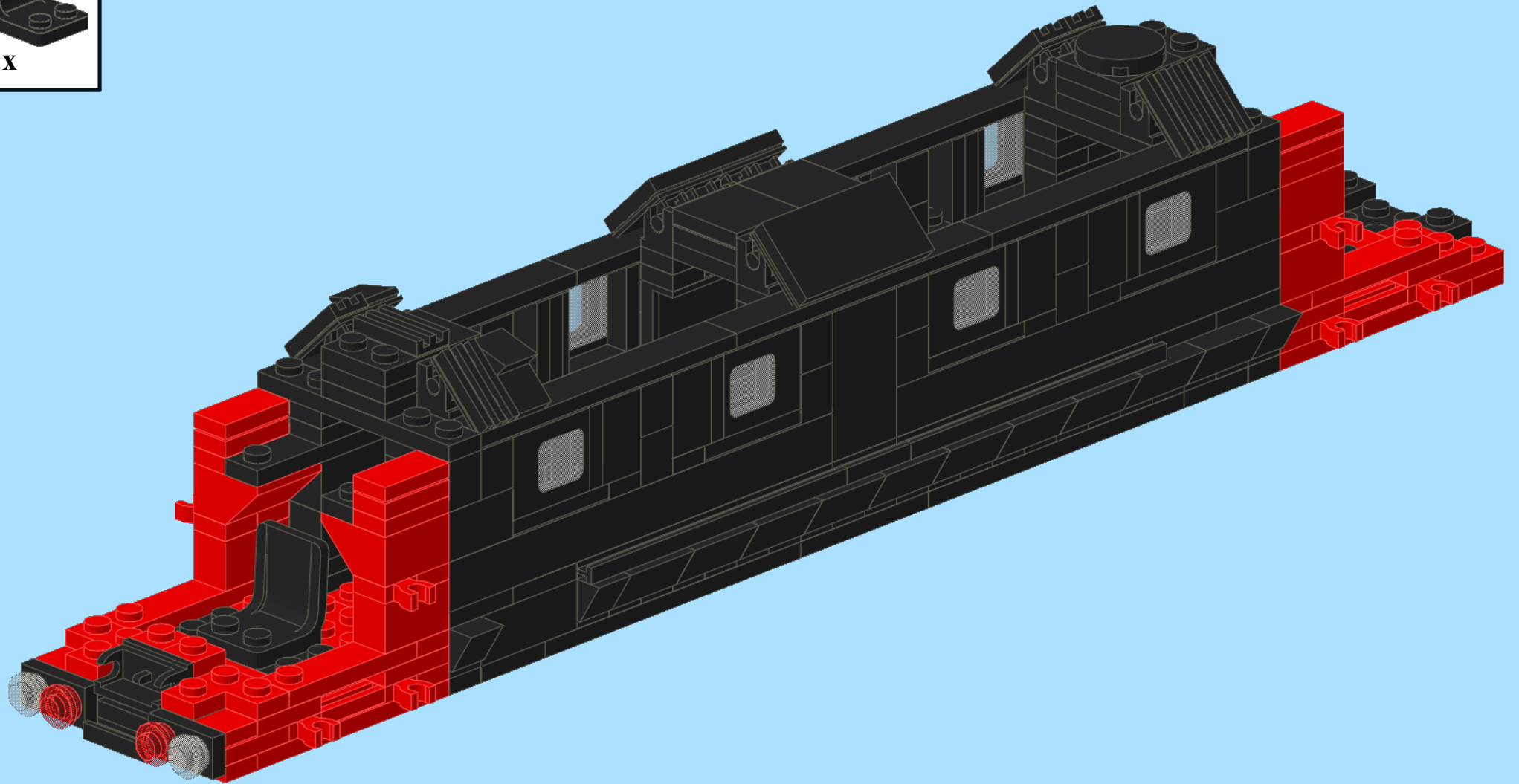


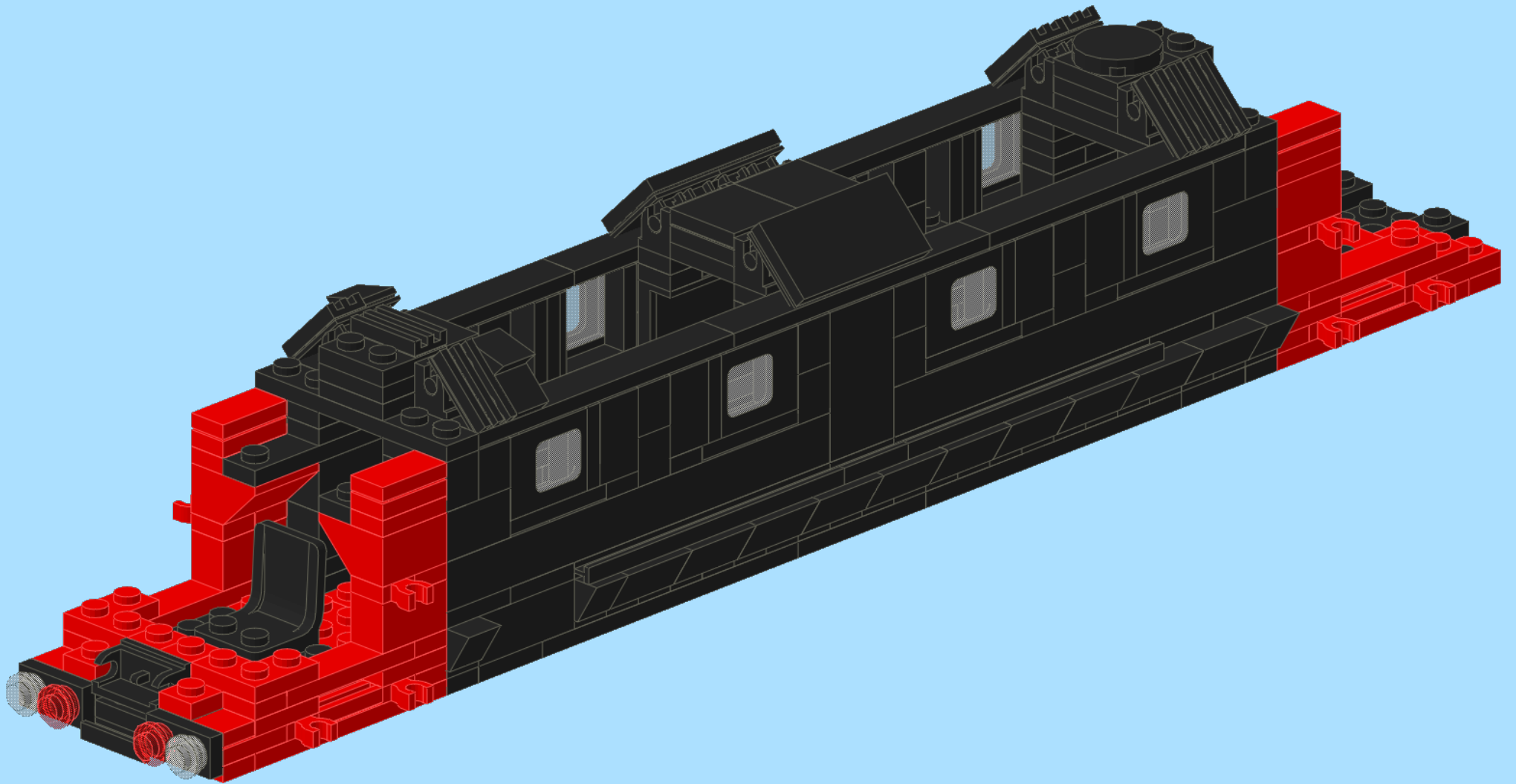




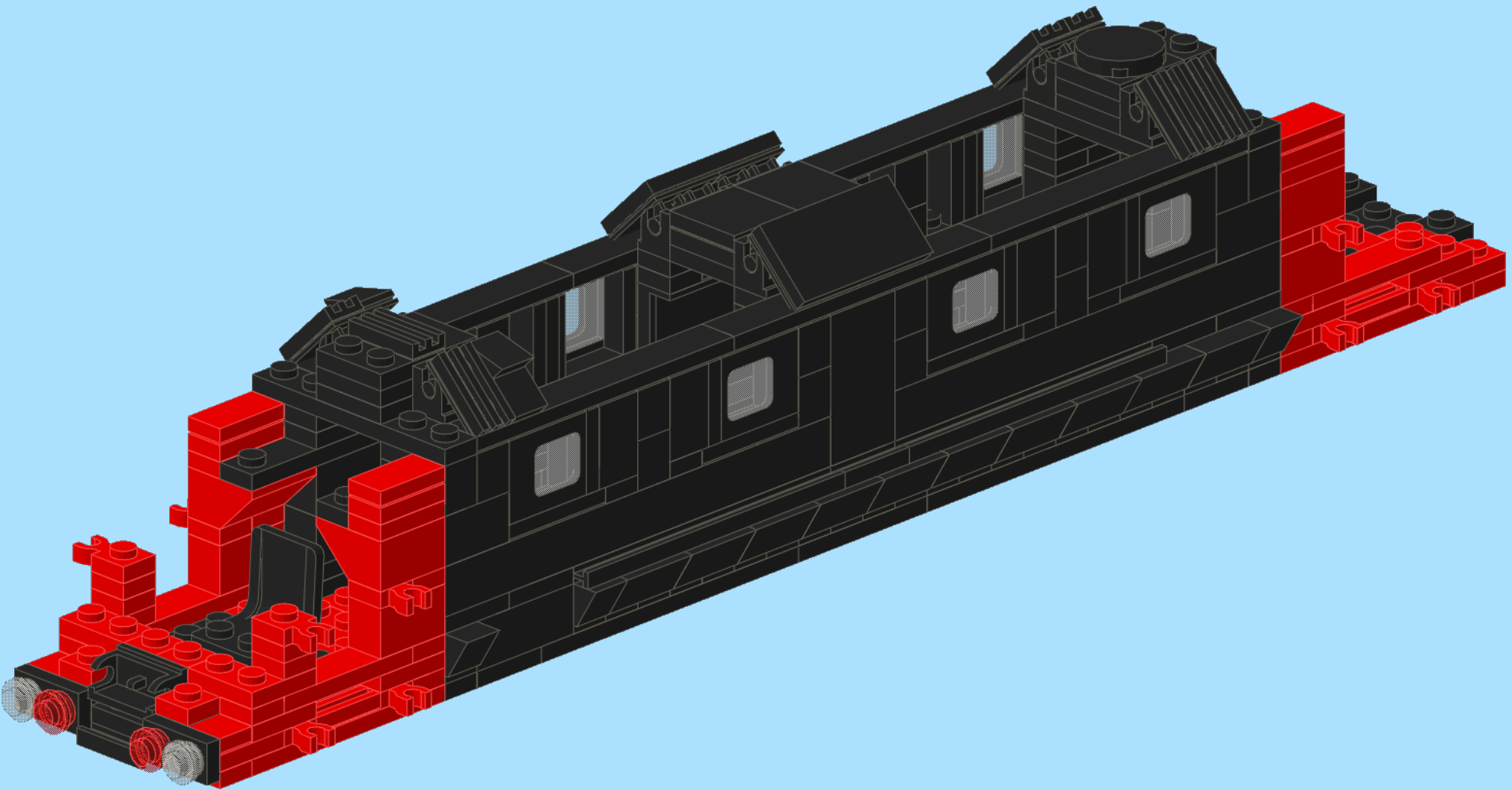


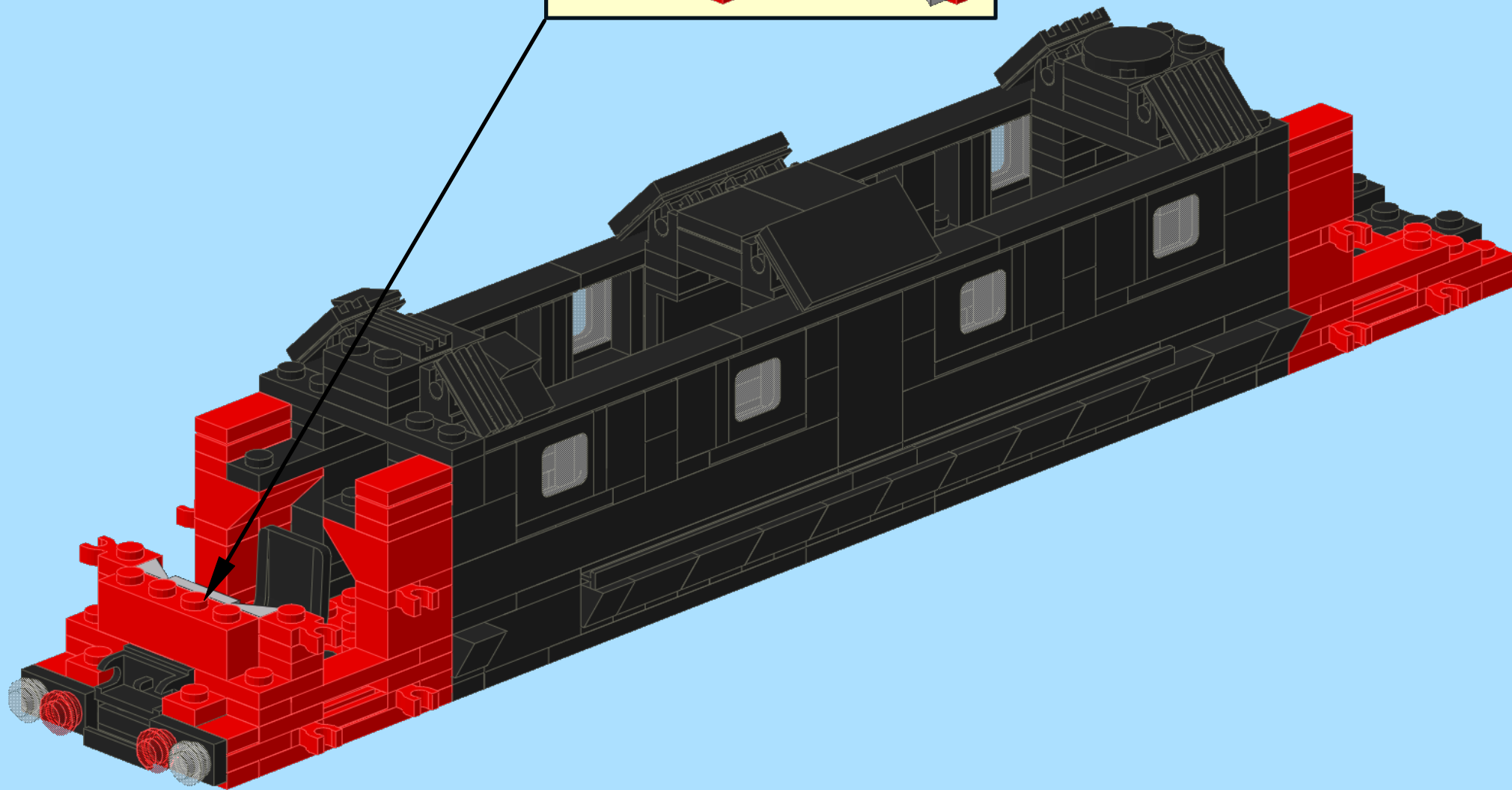
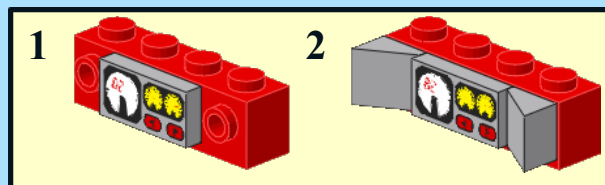
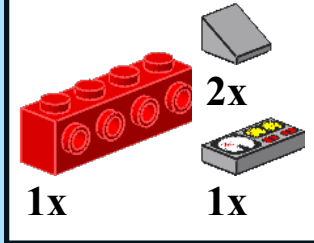


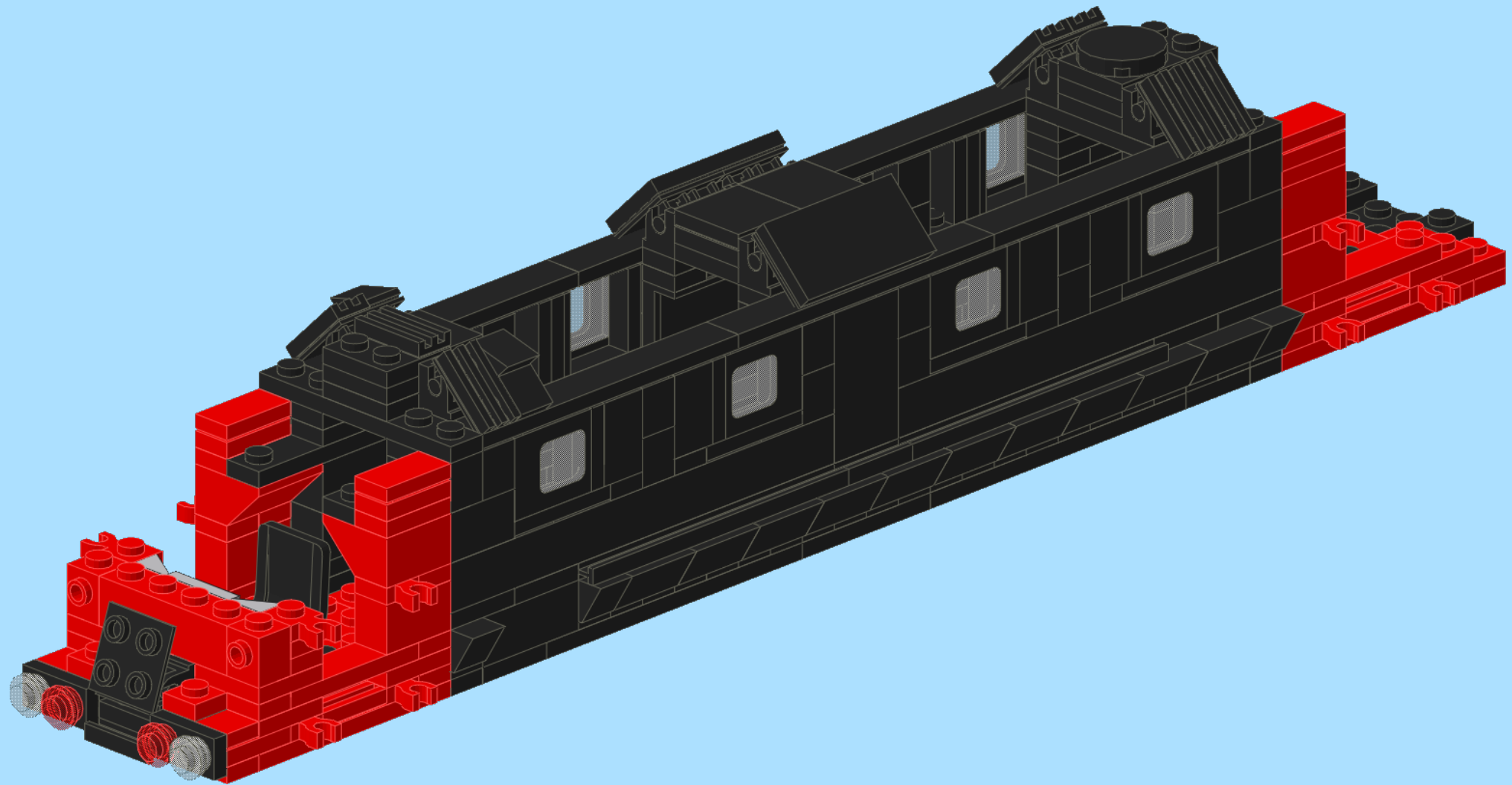
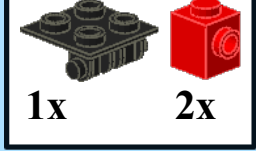


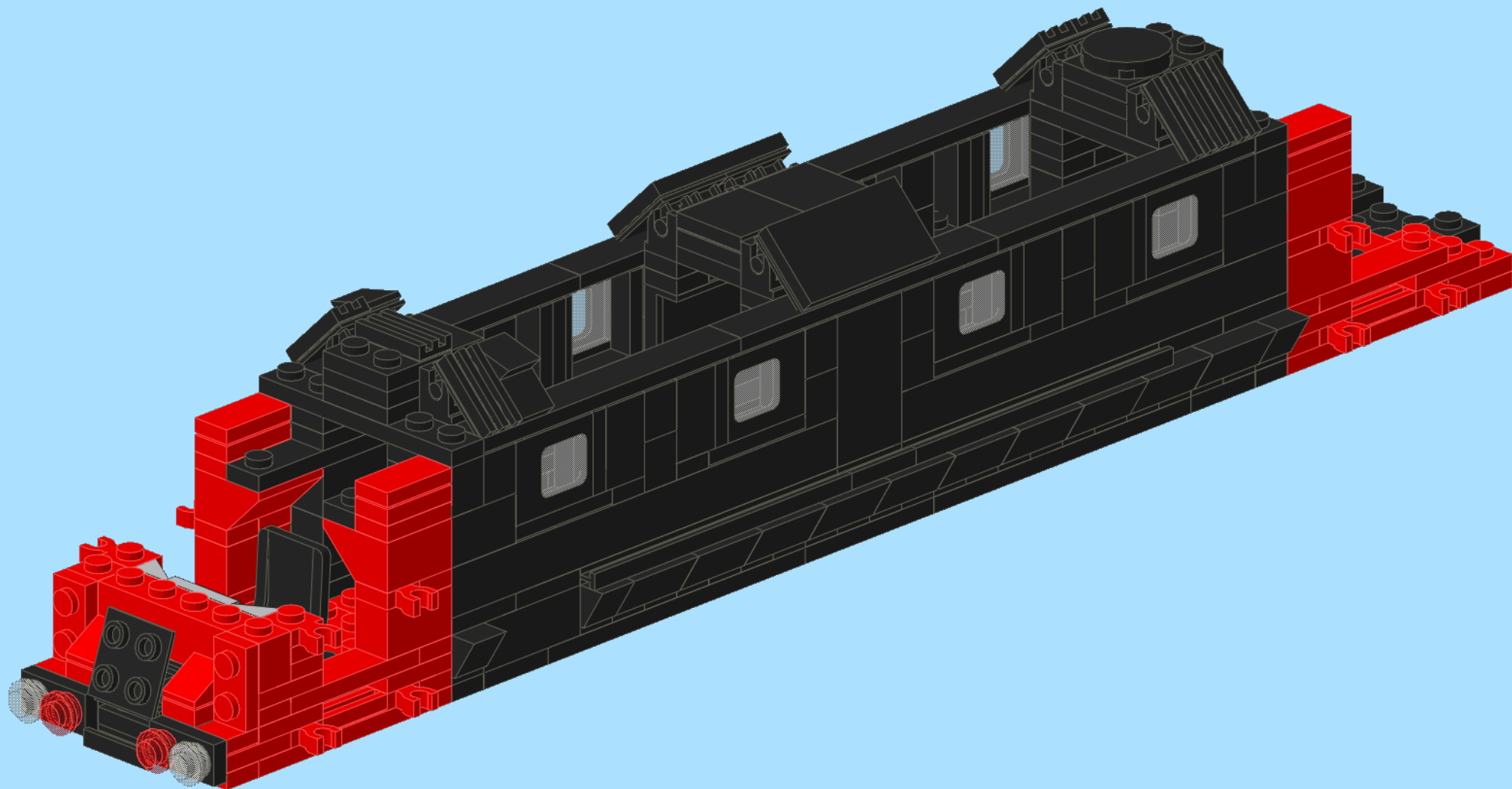
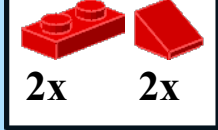


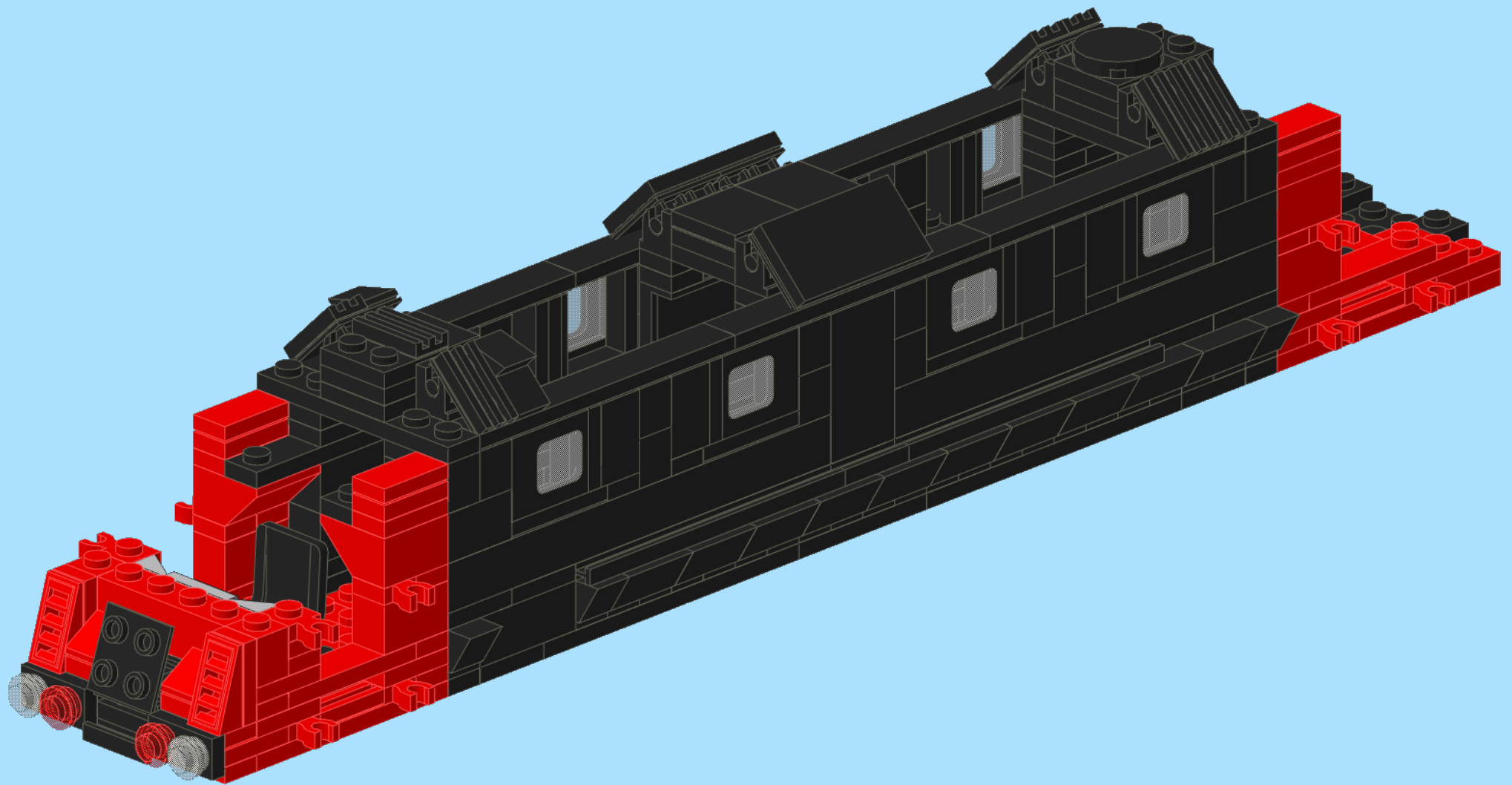
2x 4x

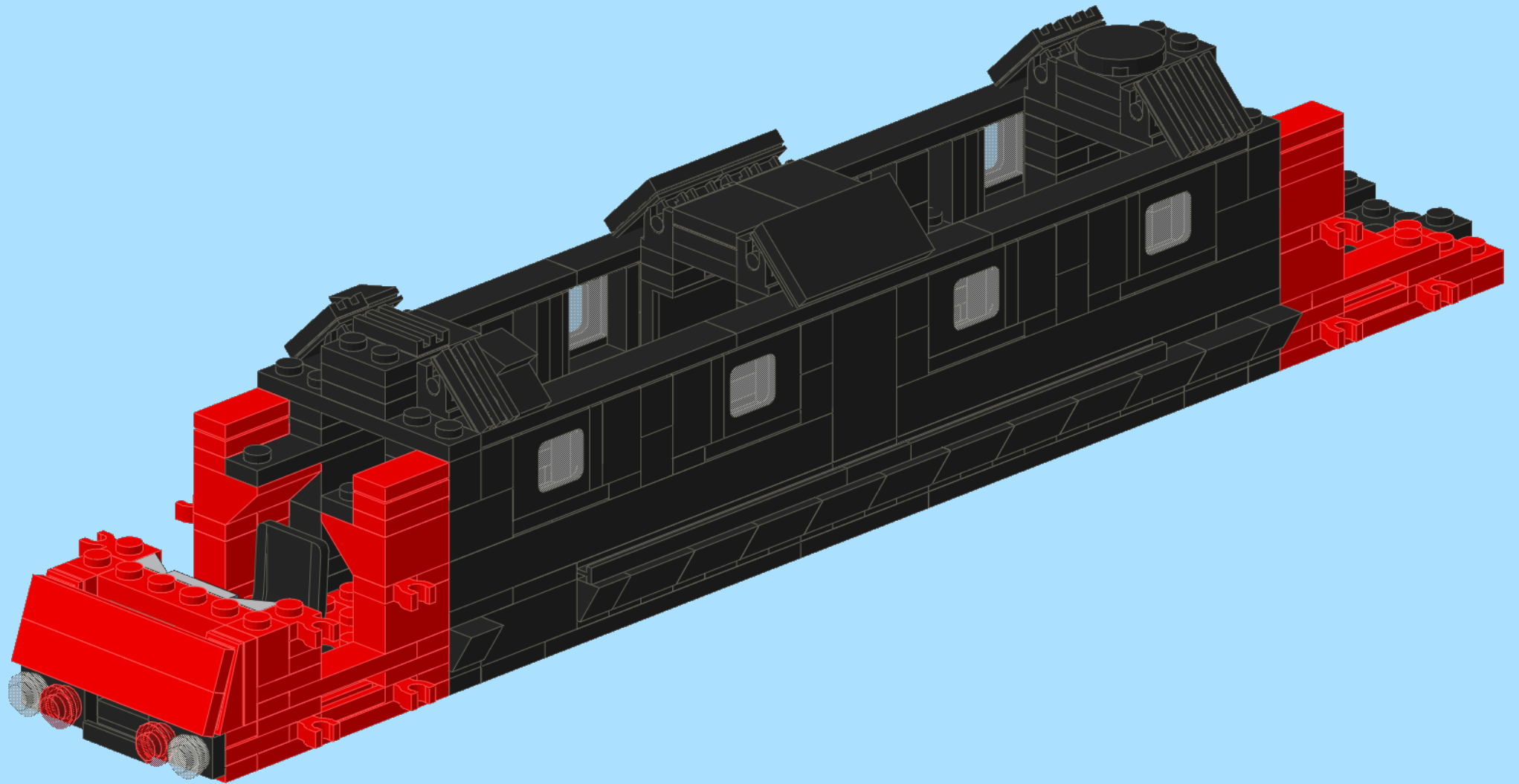


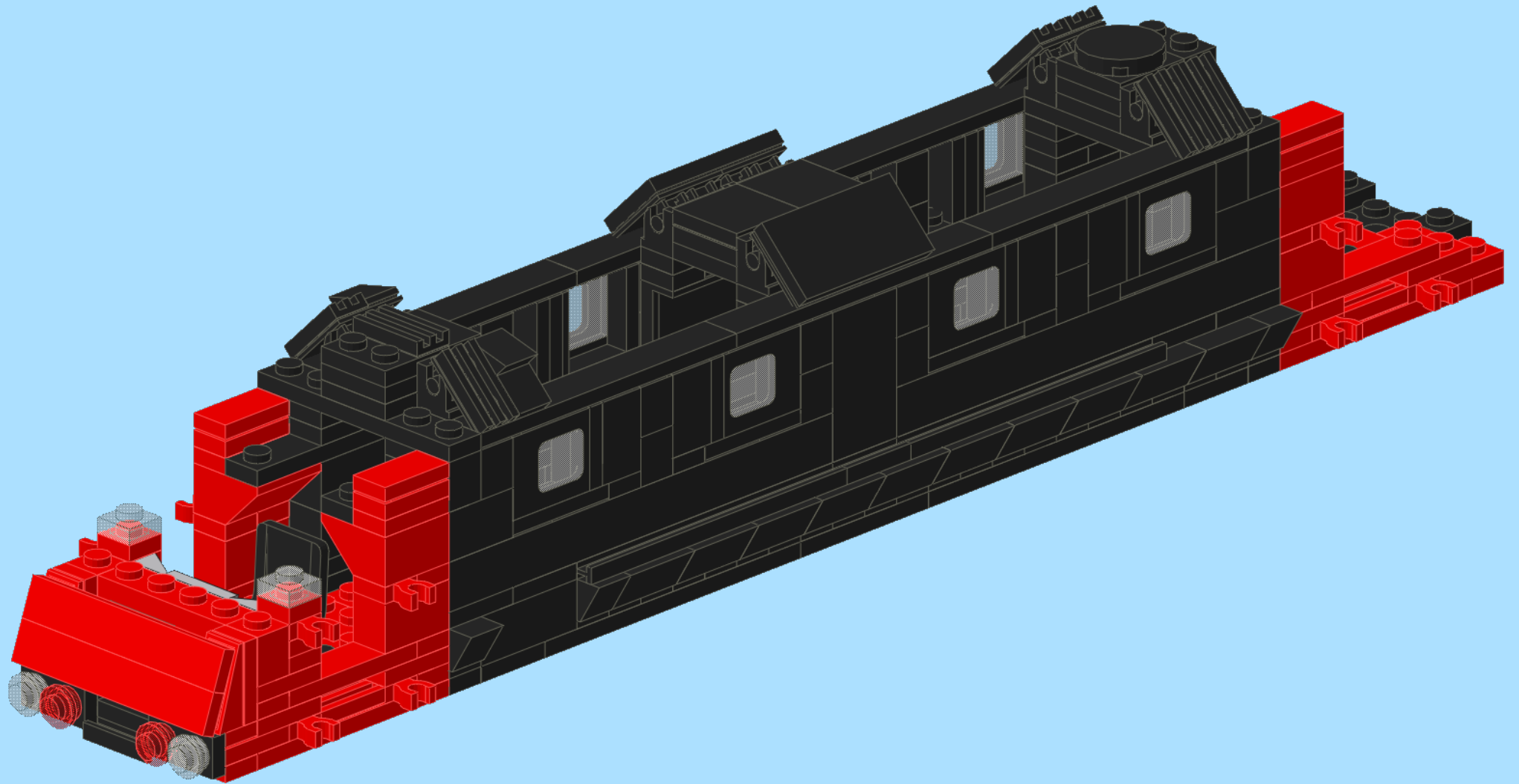


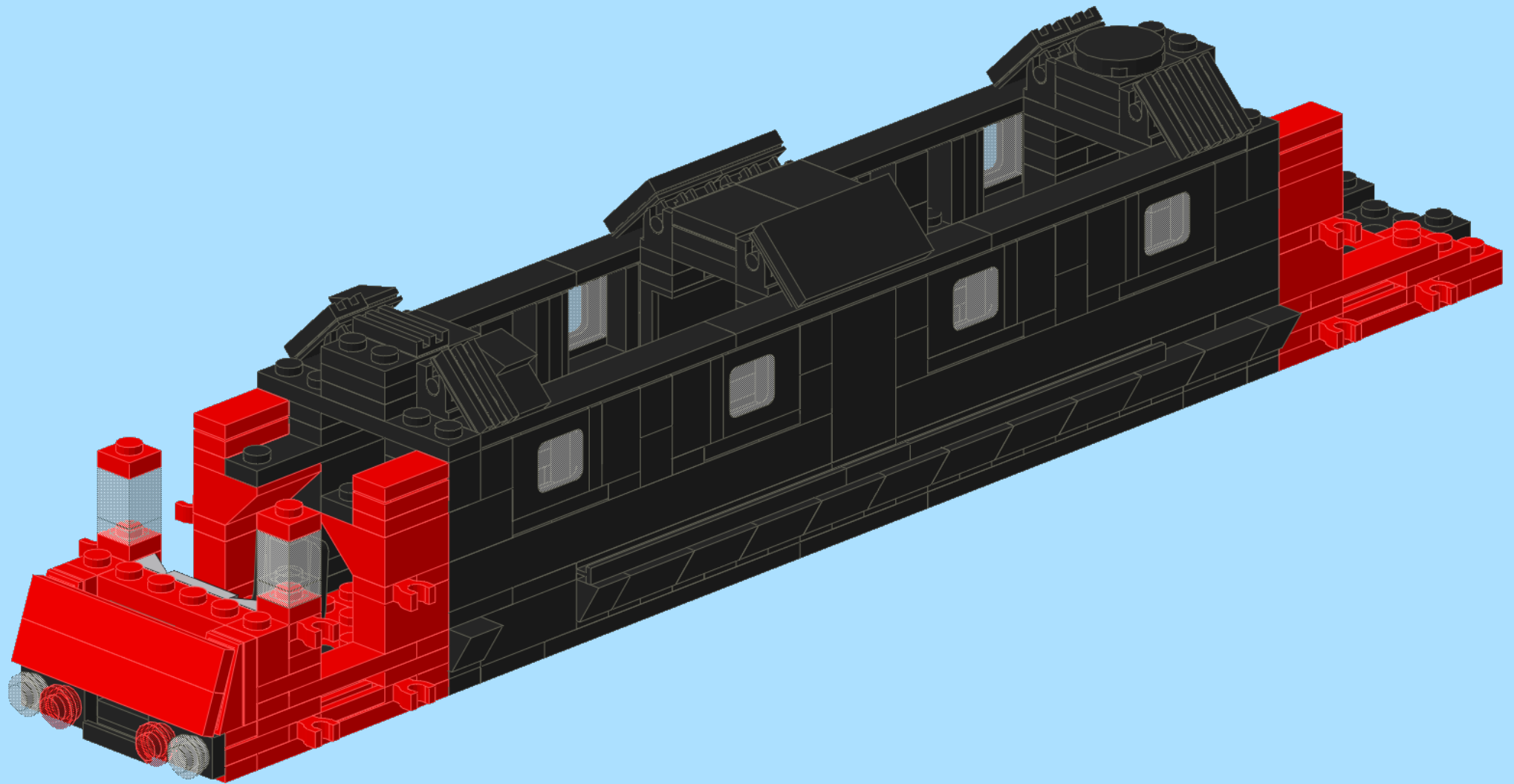
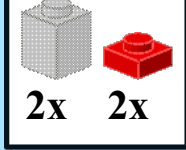


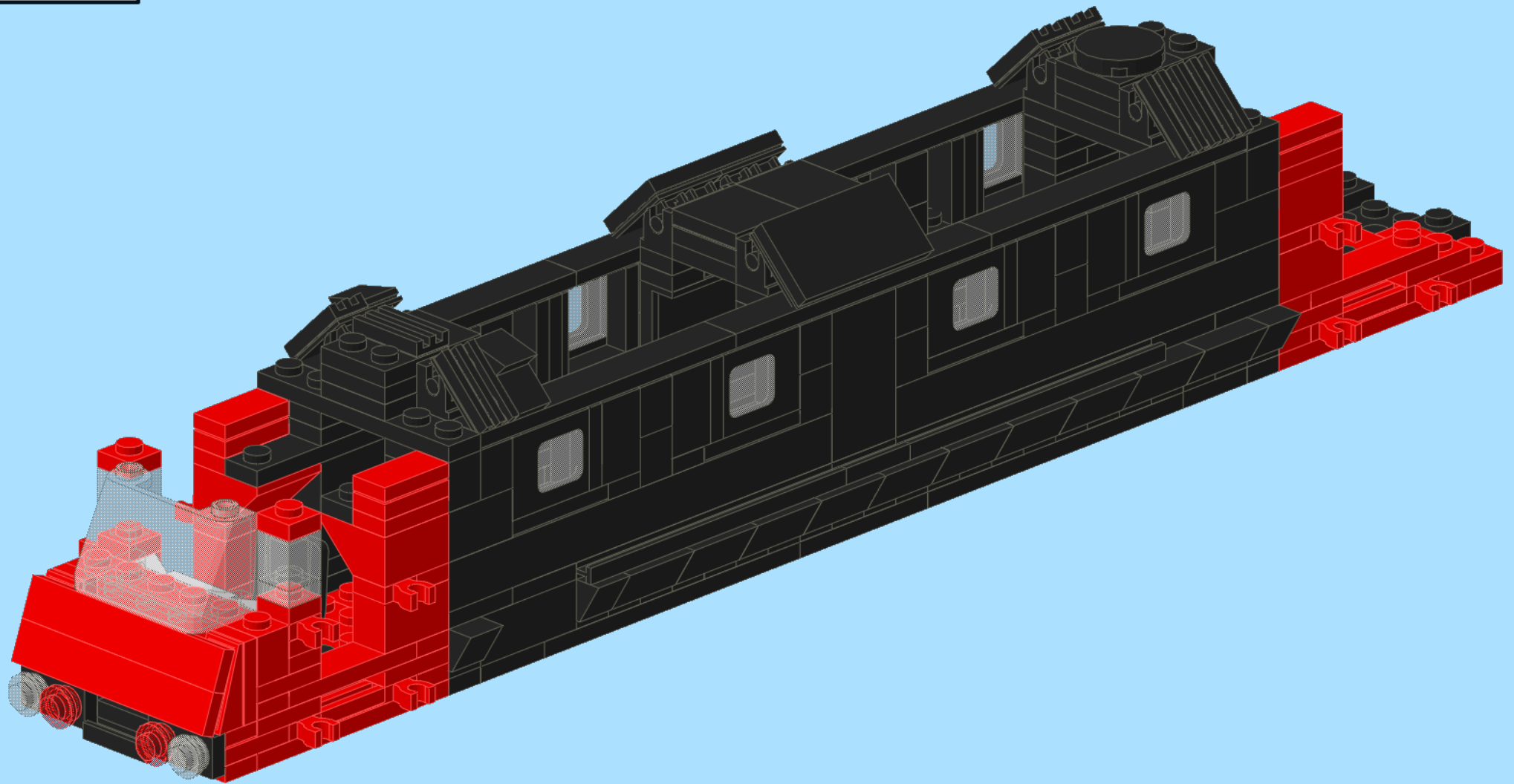
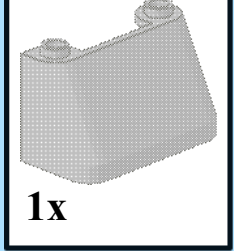


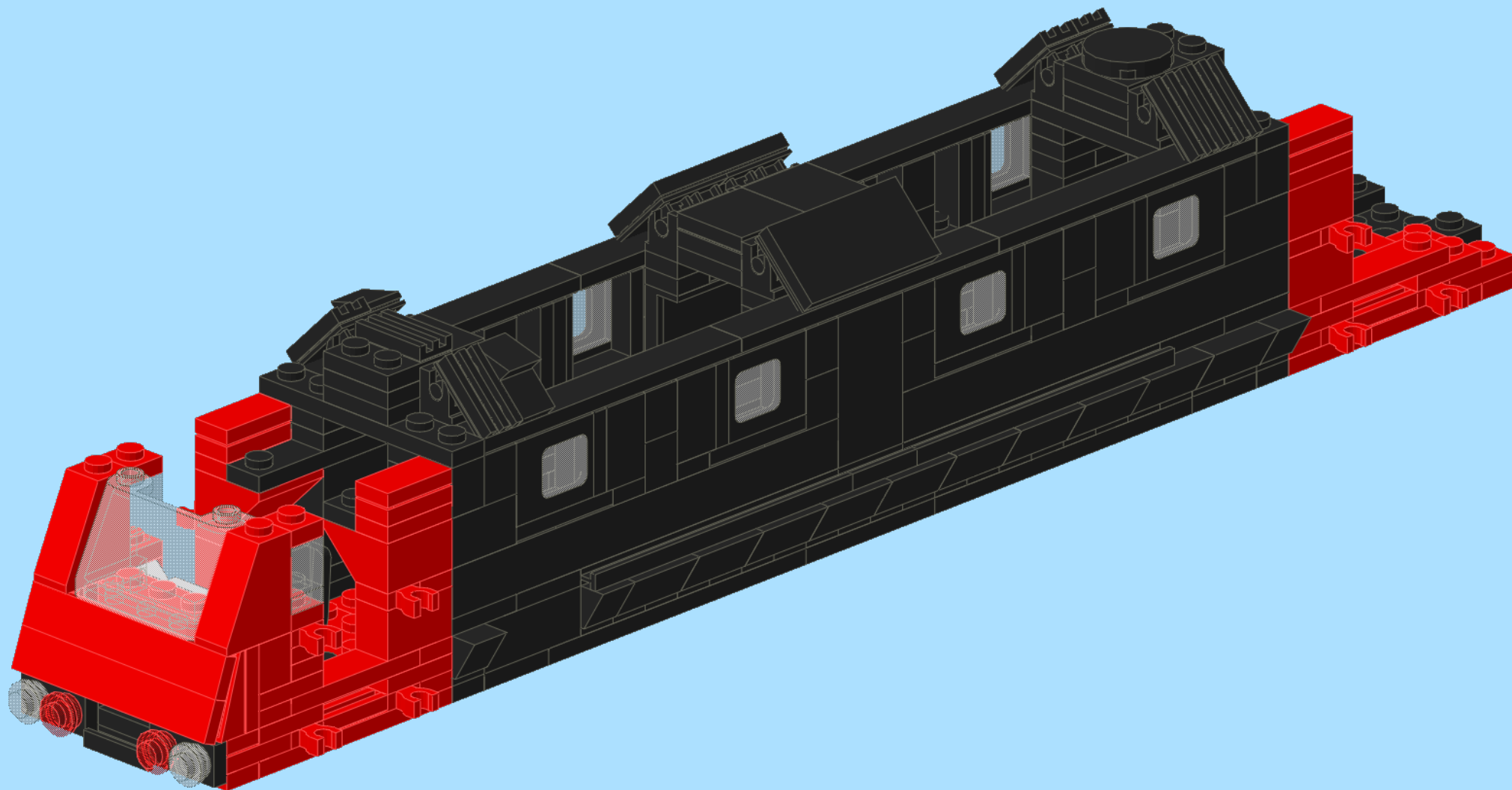


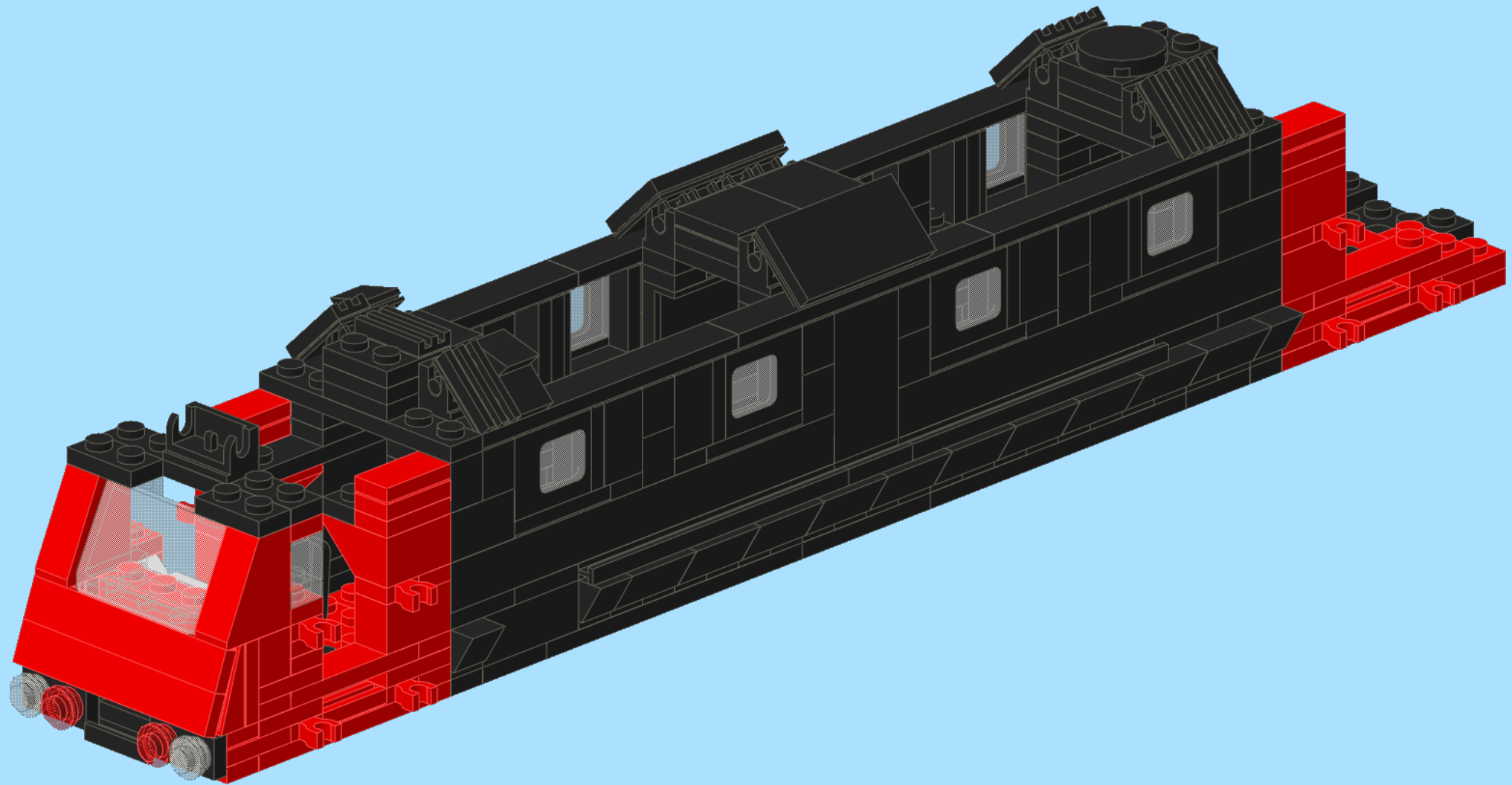
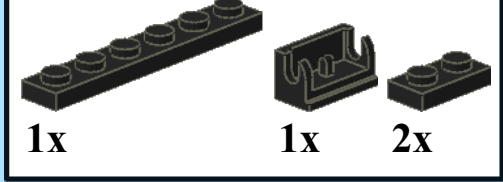


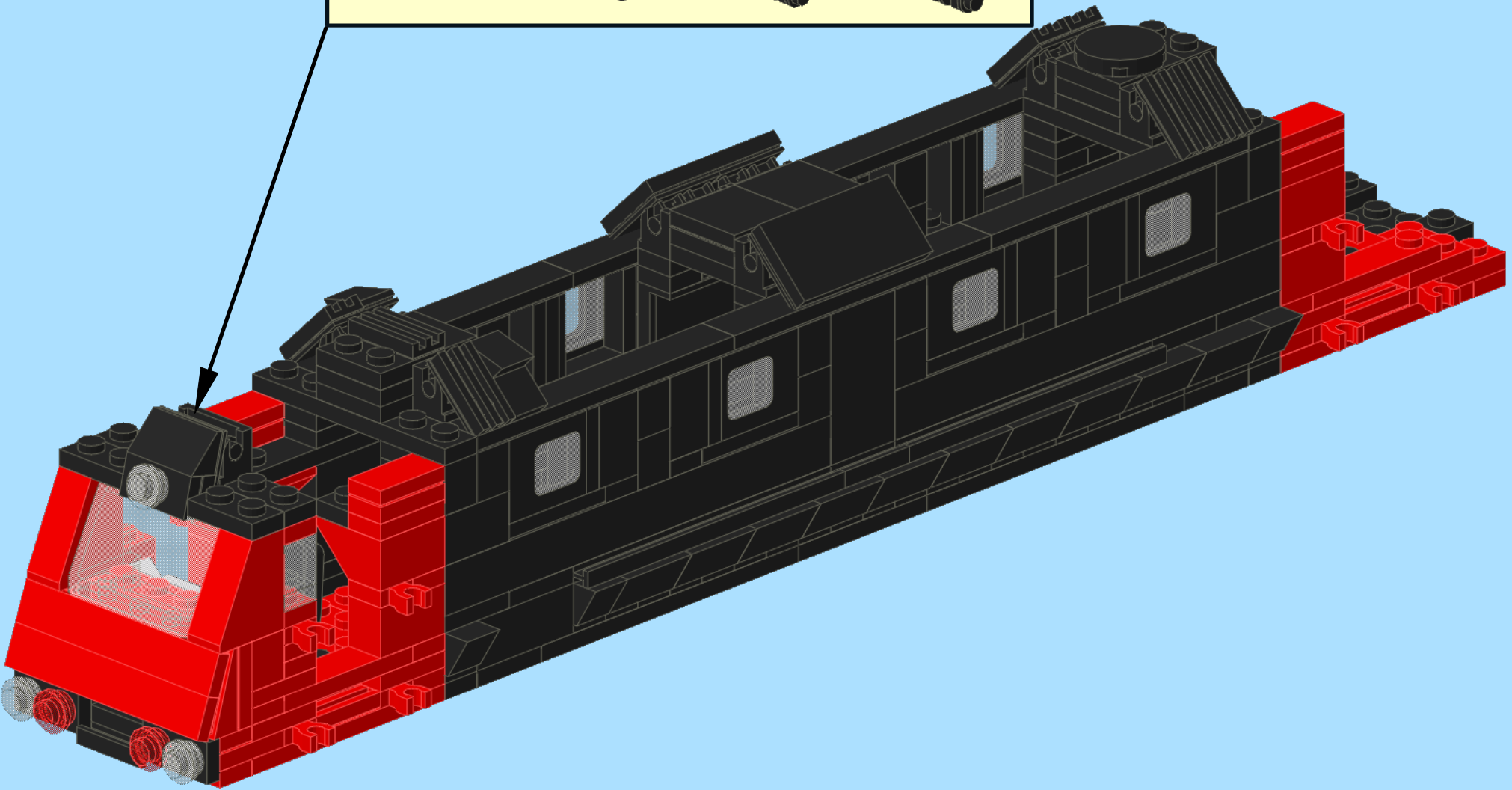
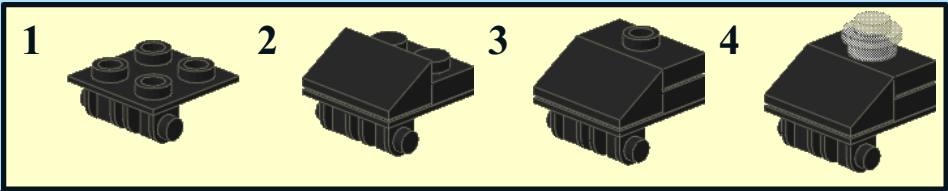
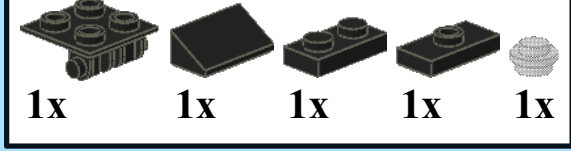


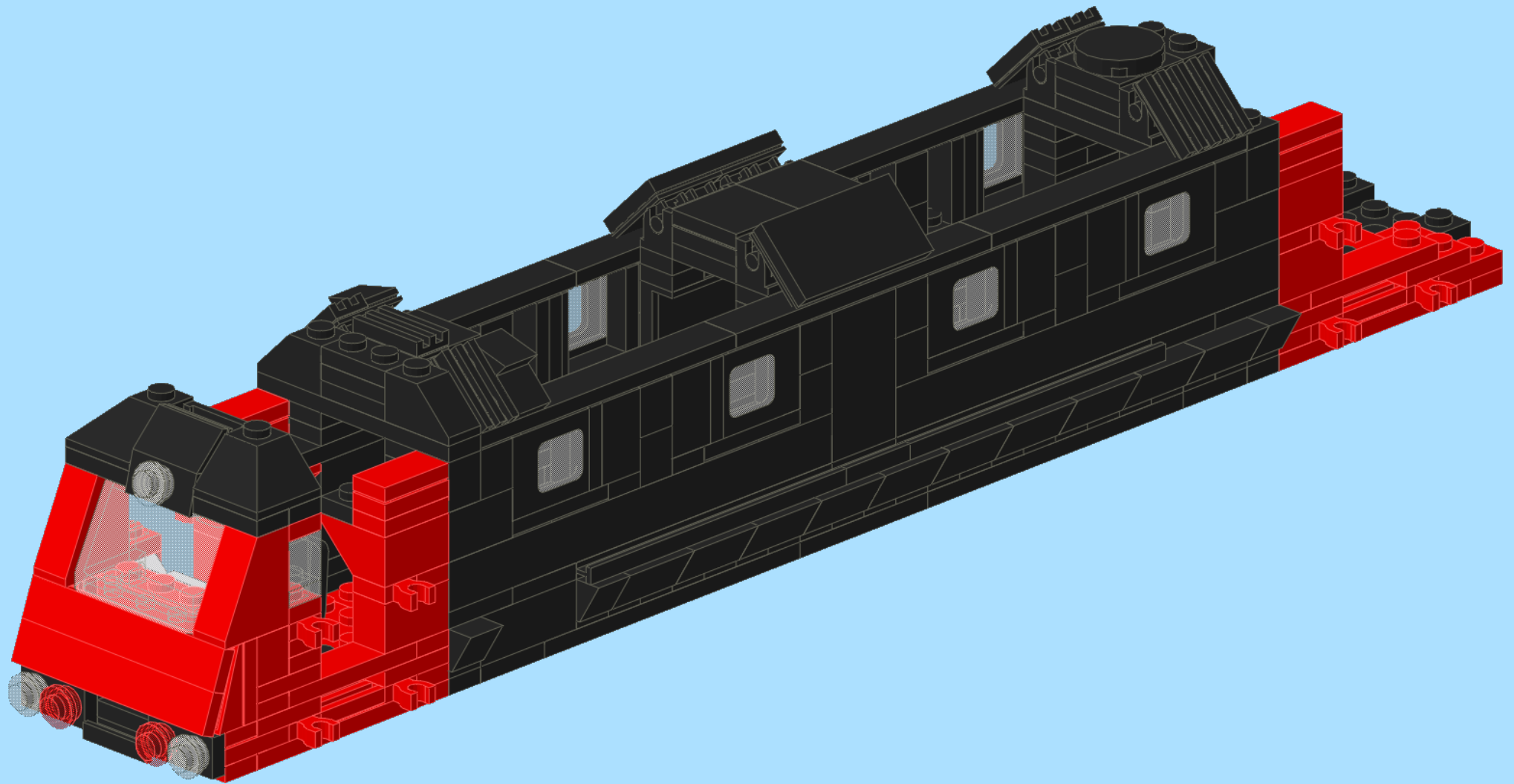
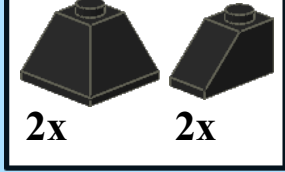


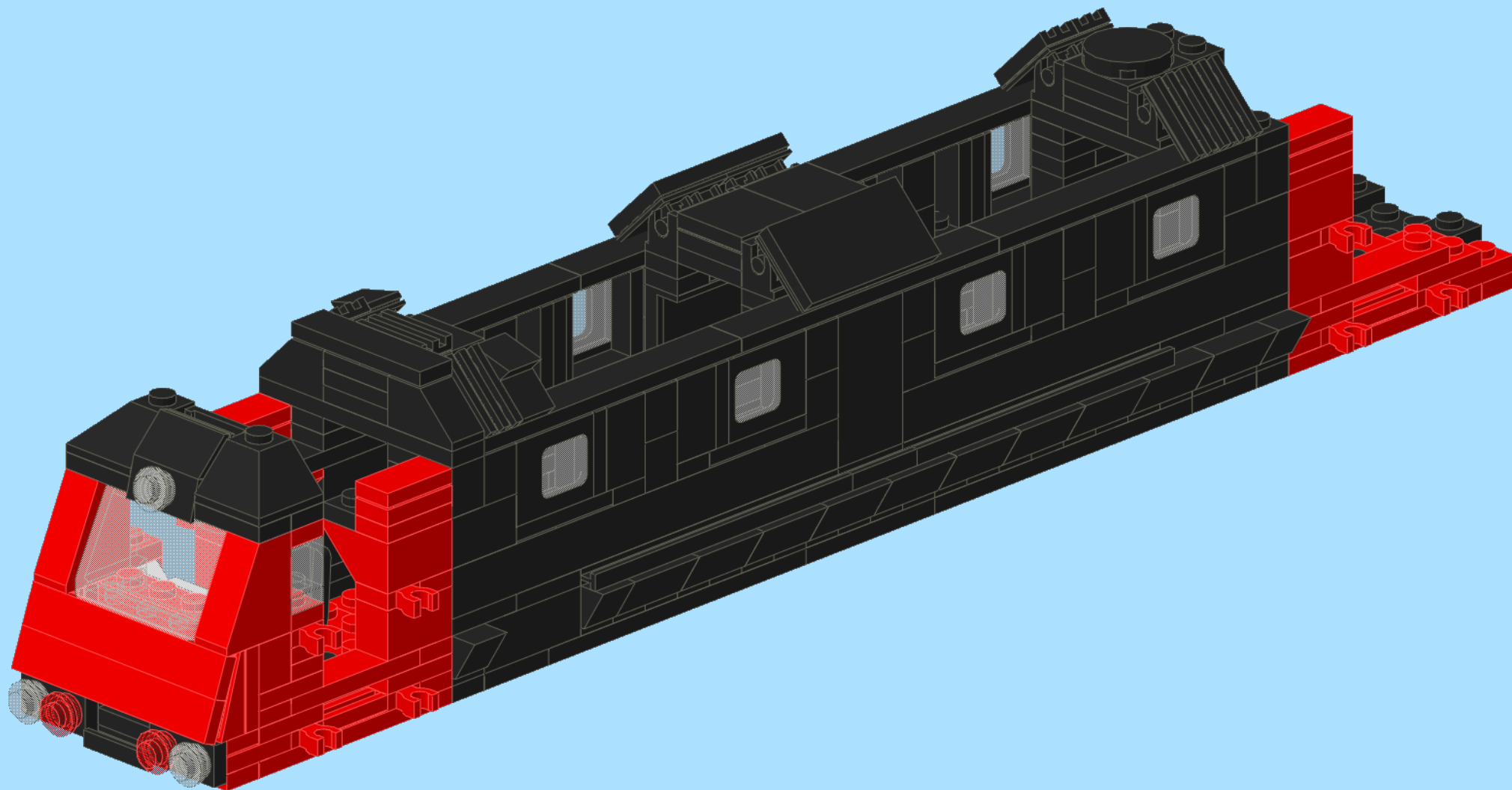
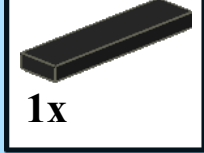


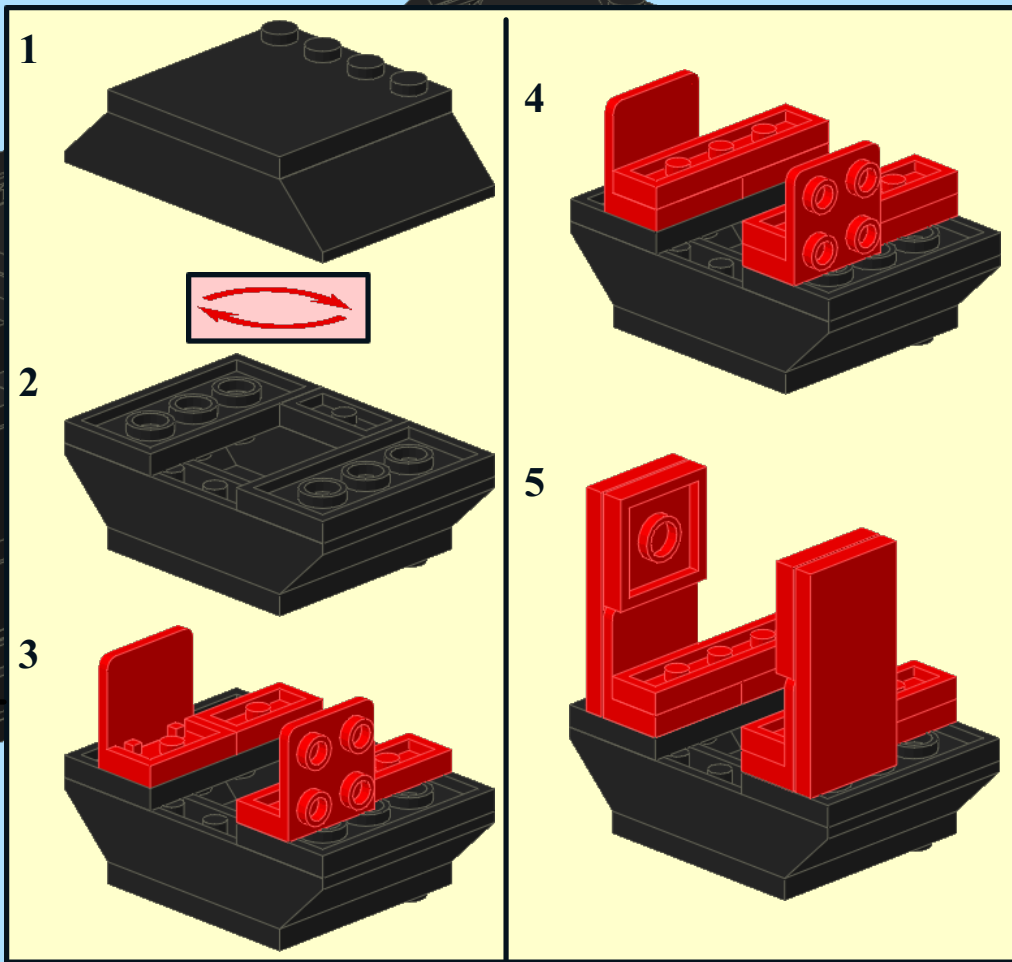
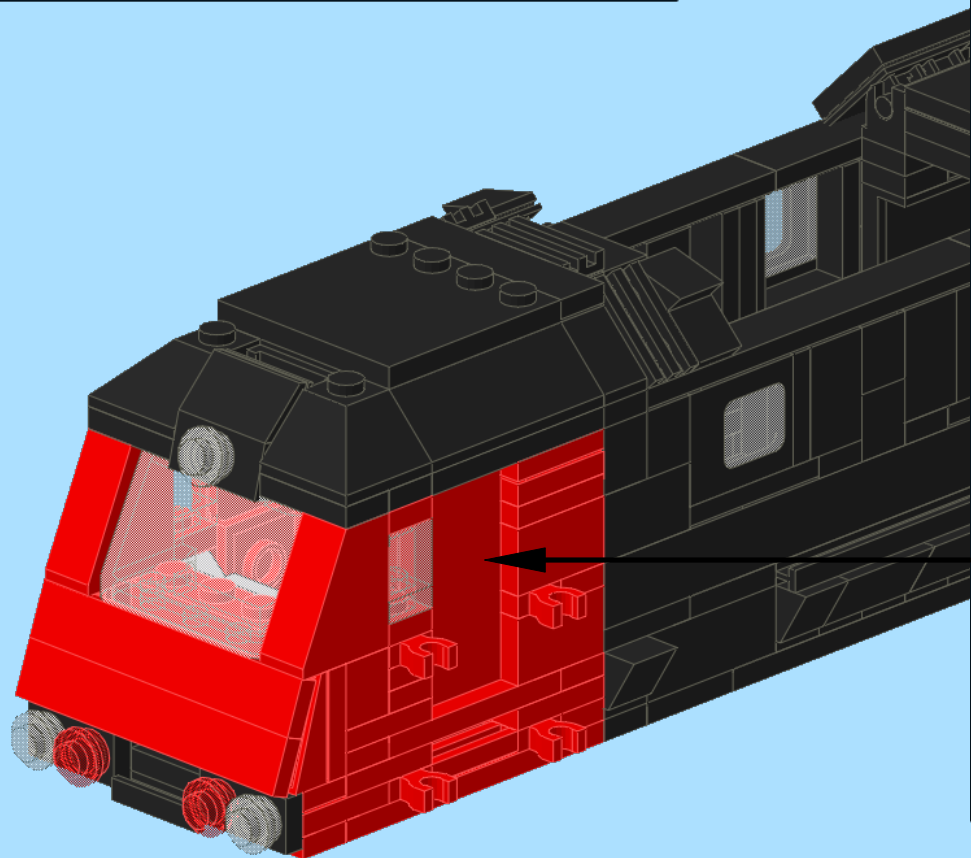
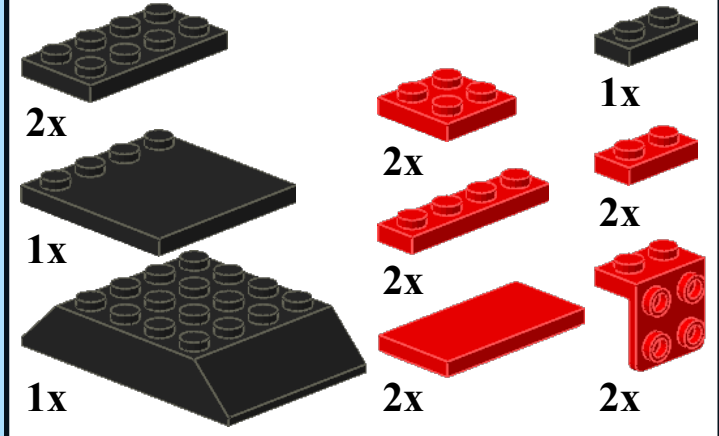


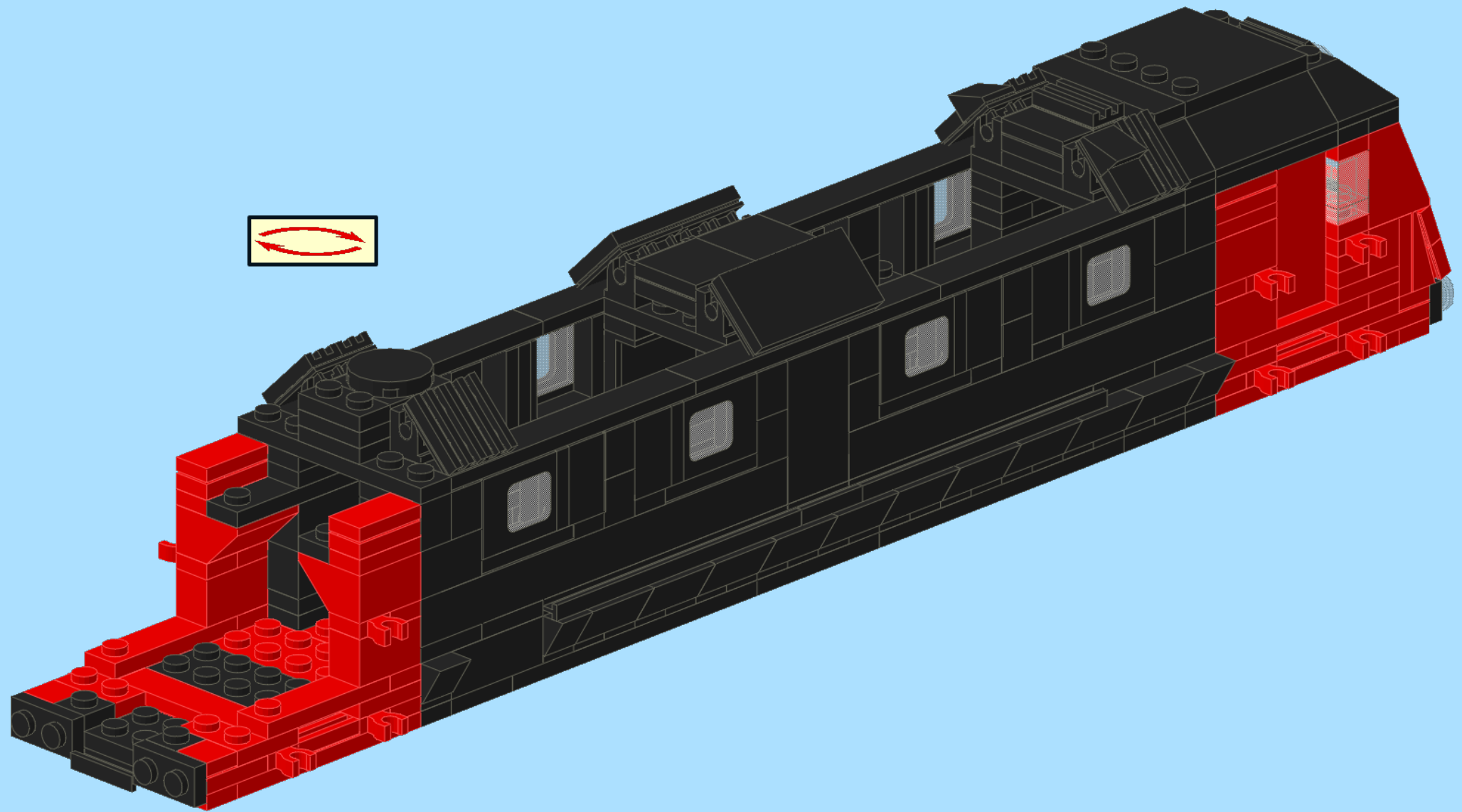
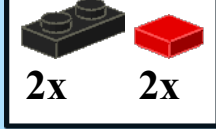


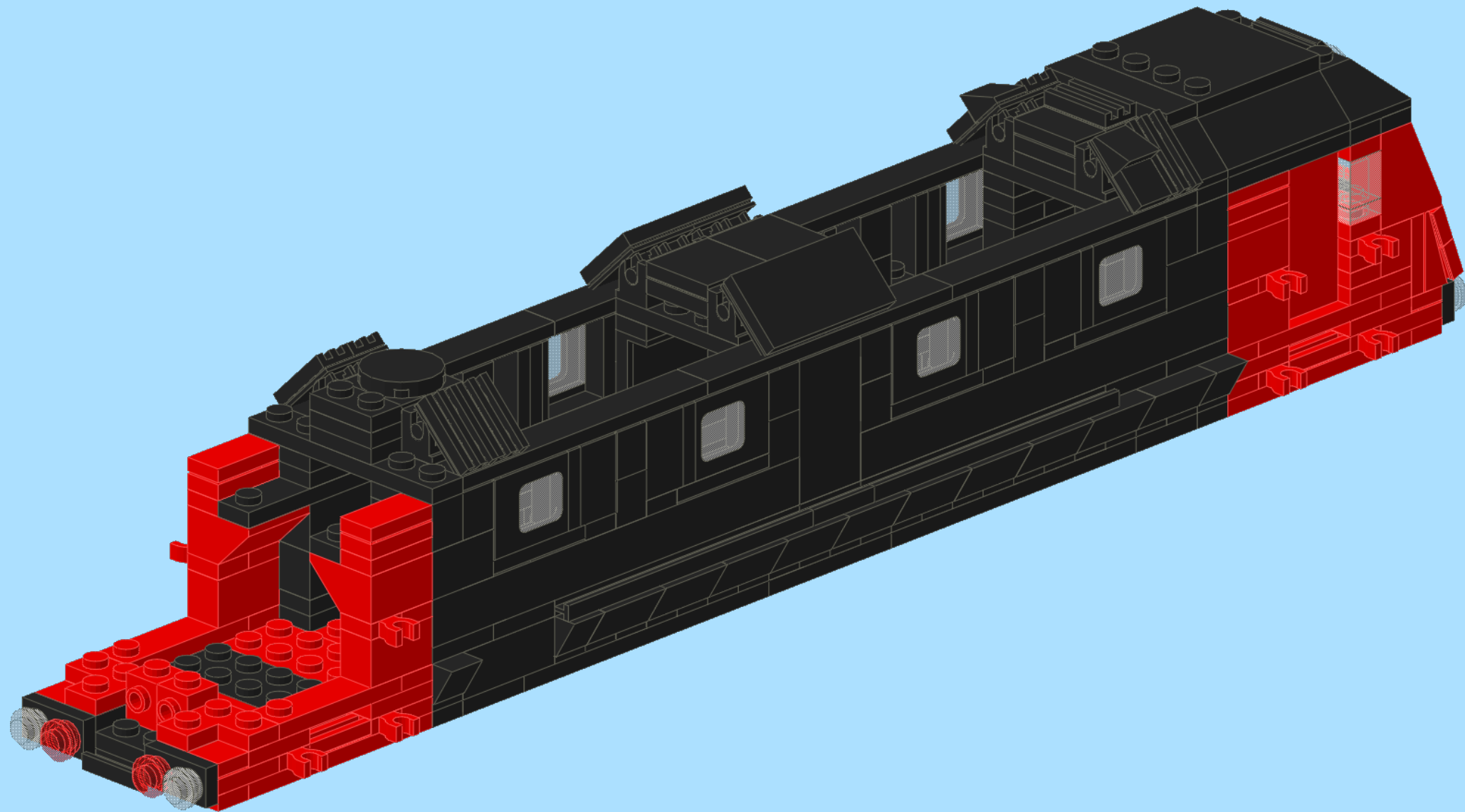
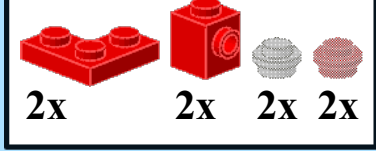


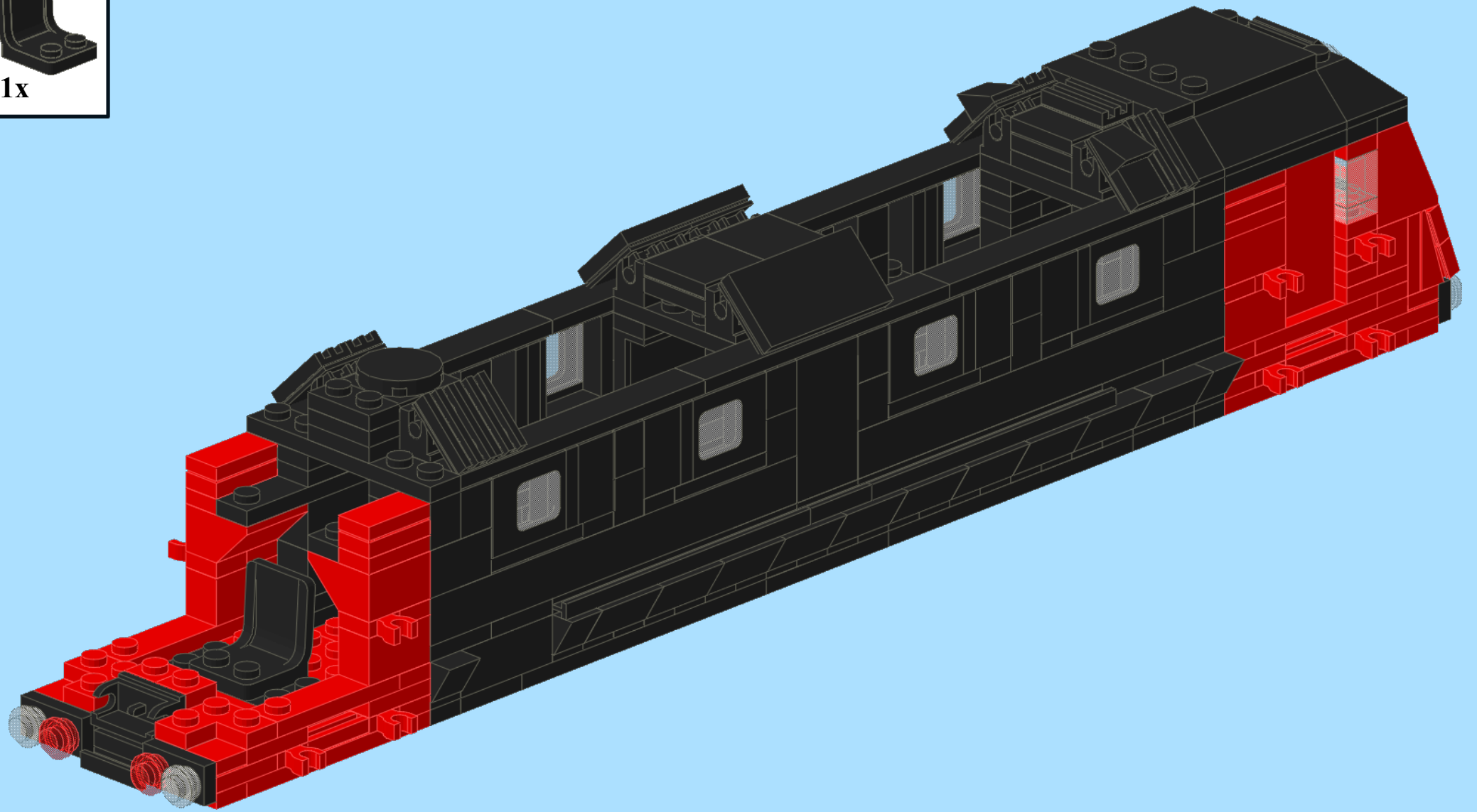


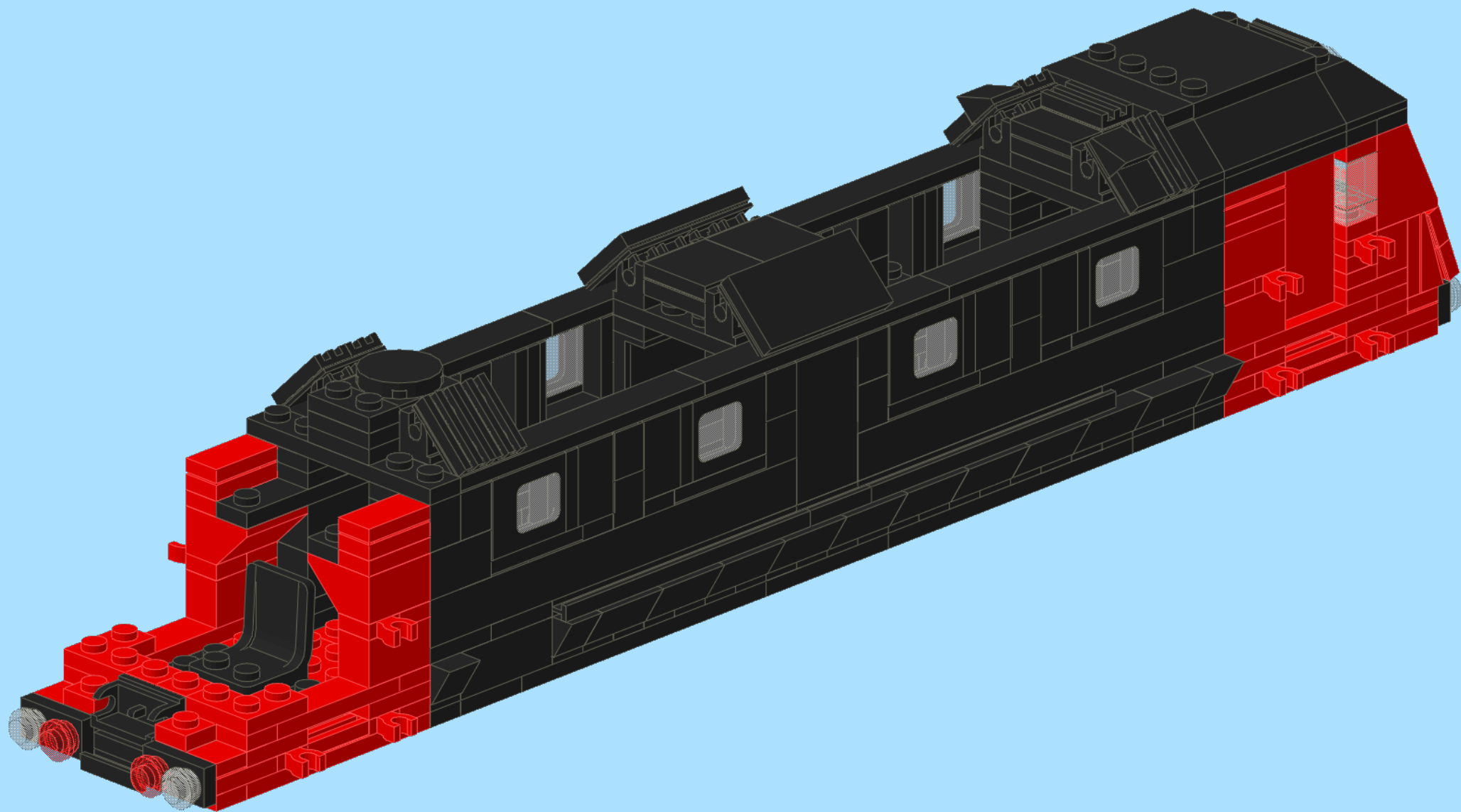




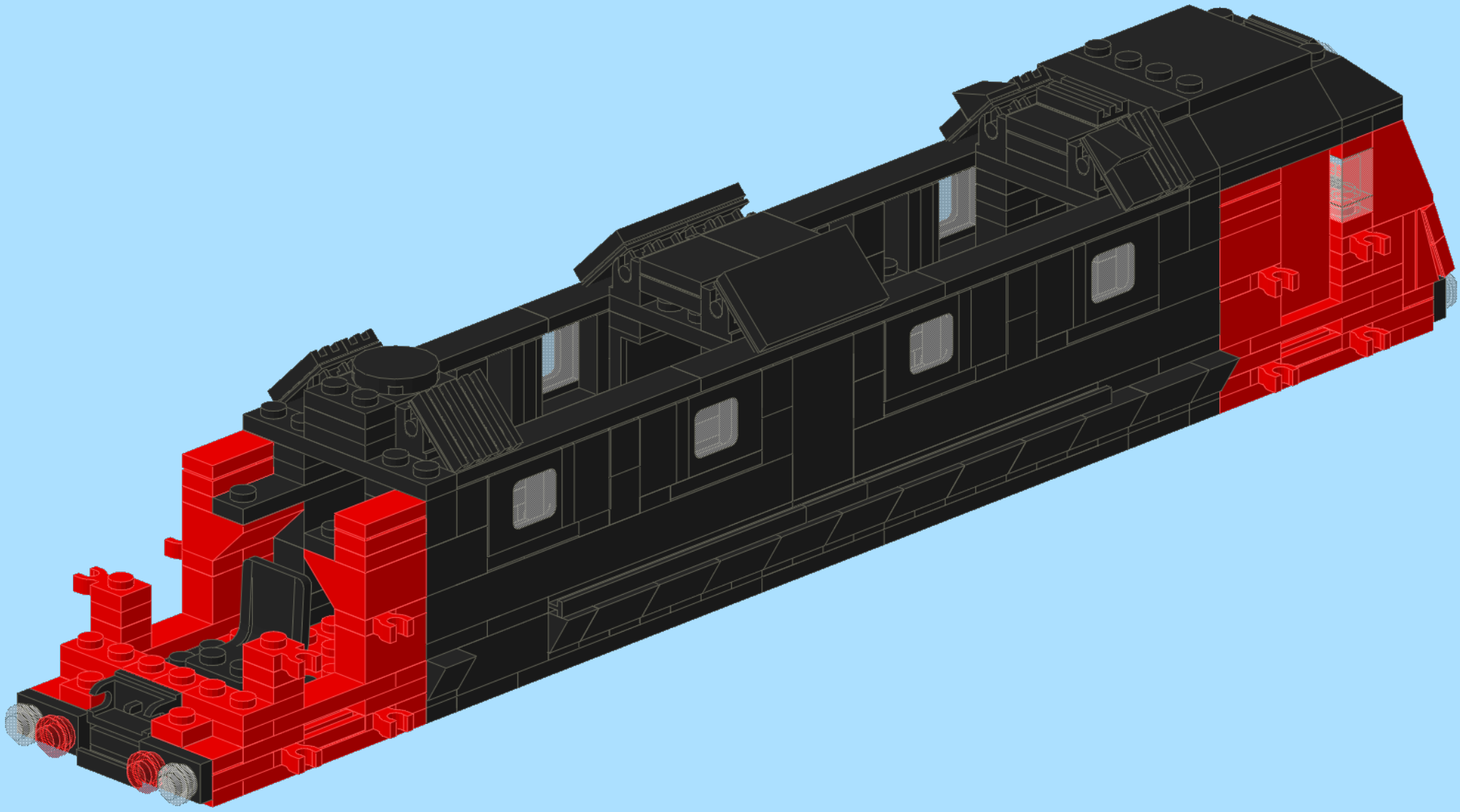


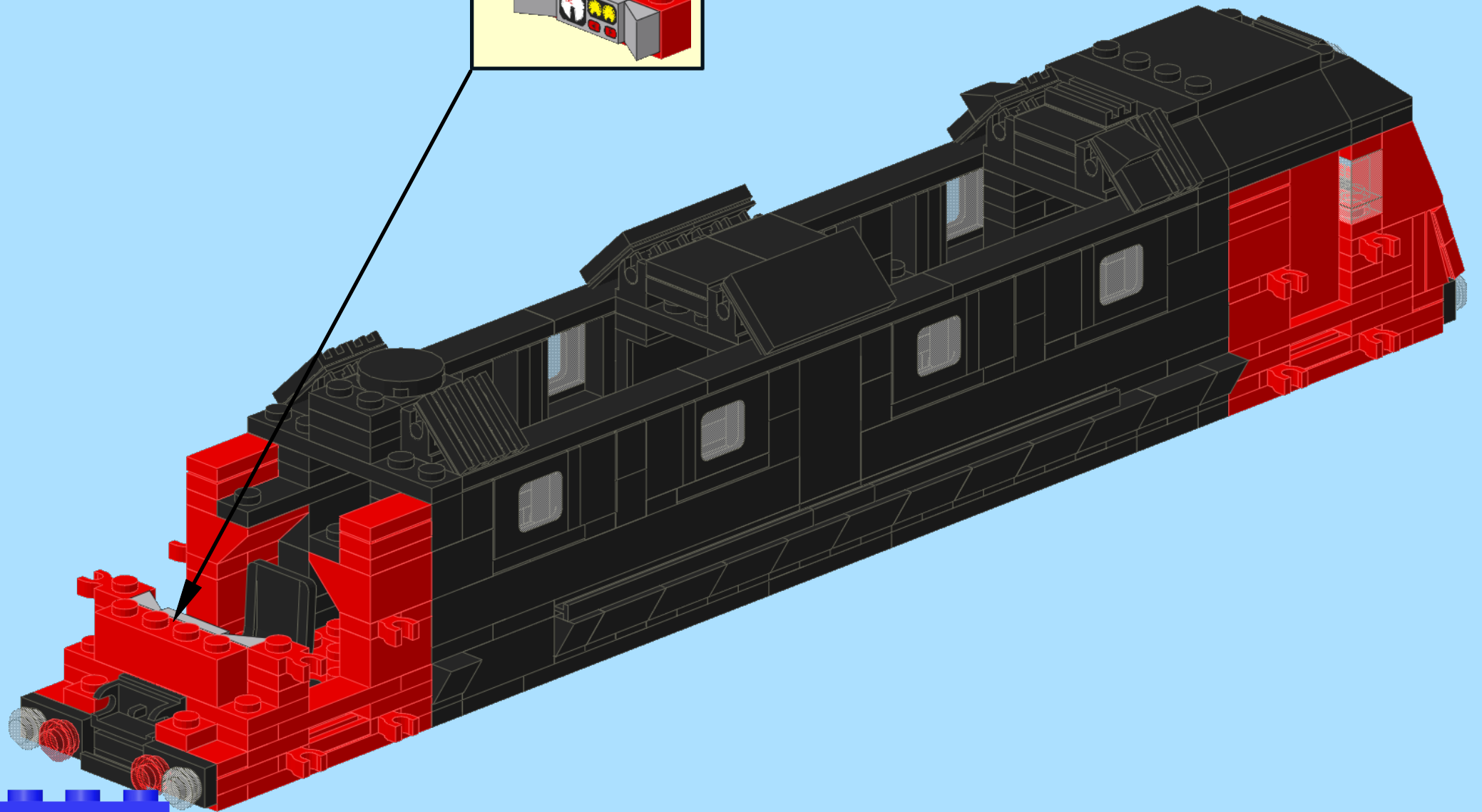
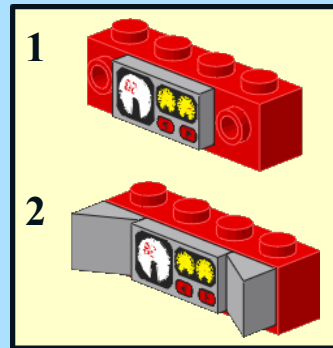
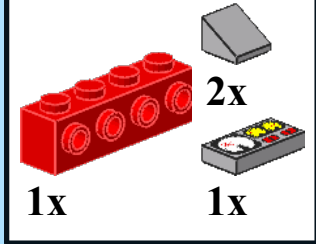


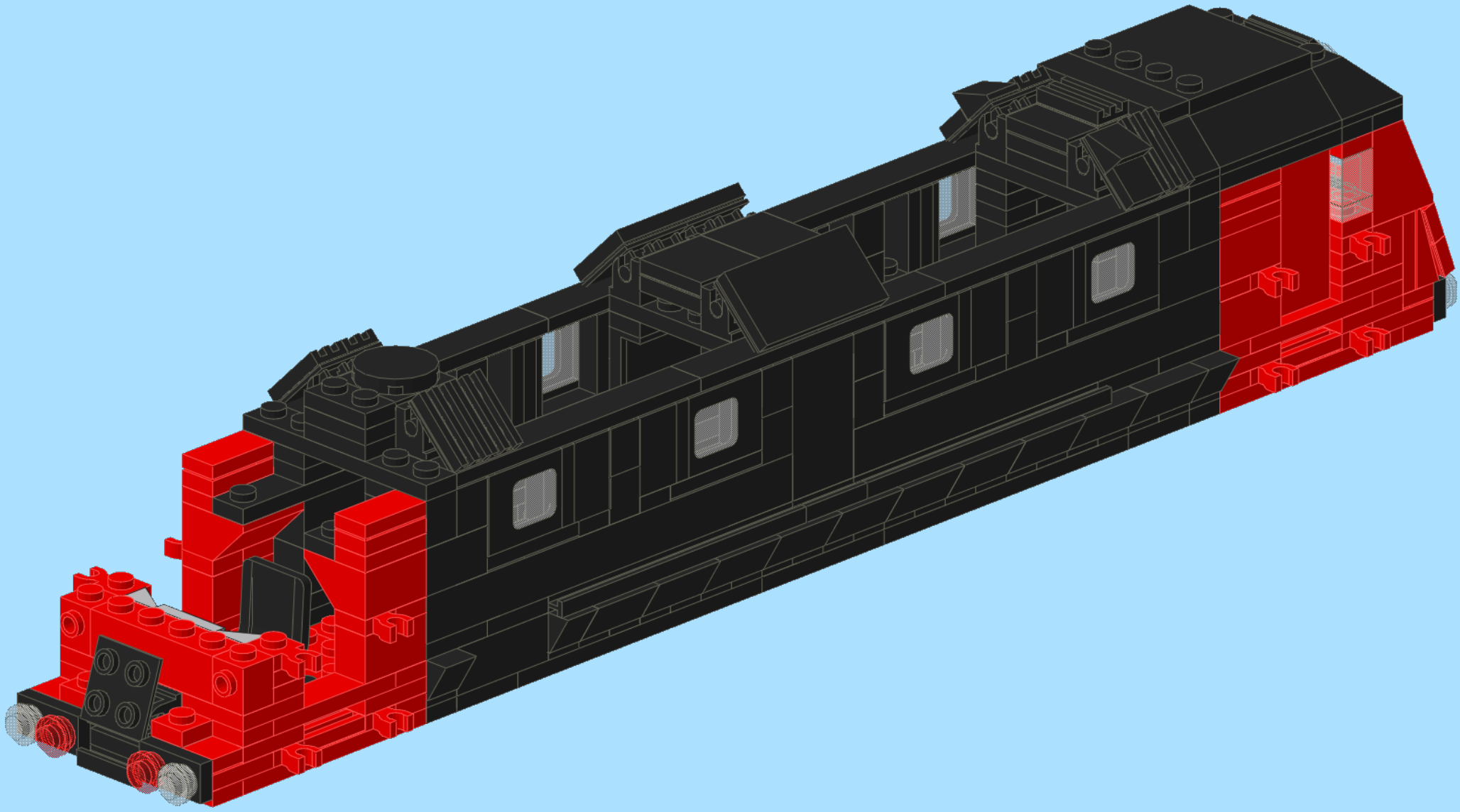
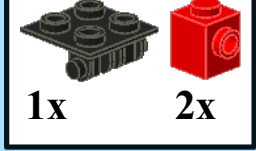


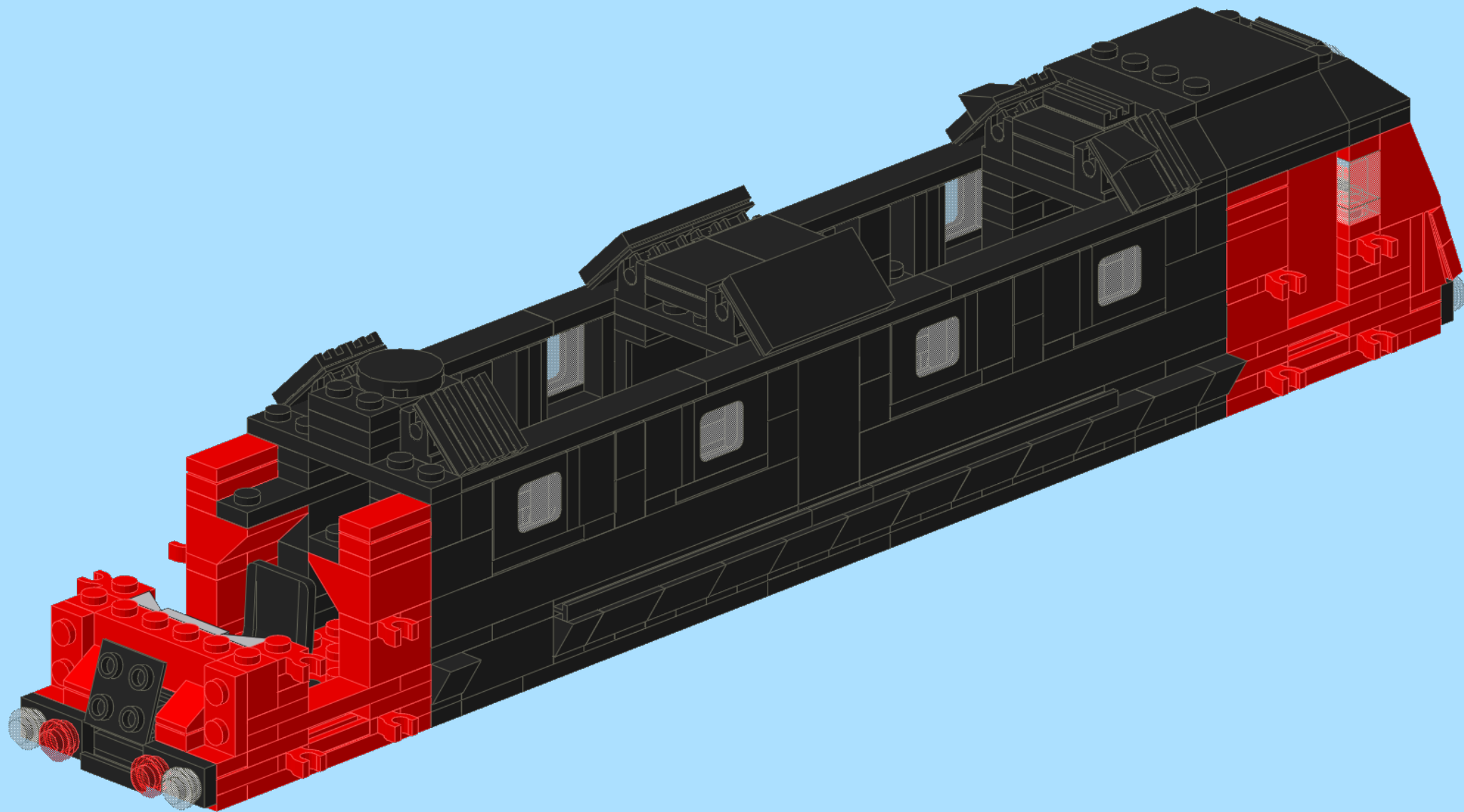
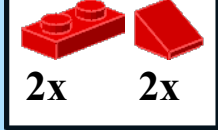


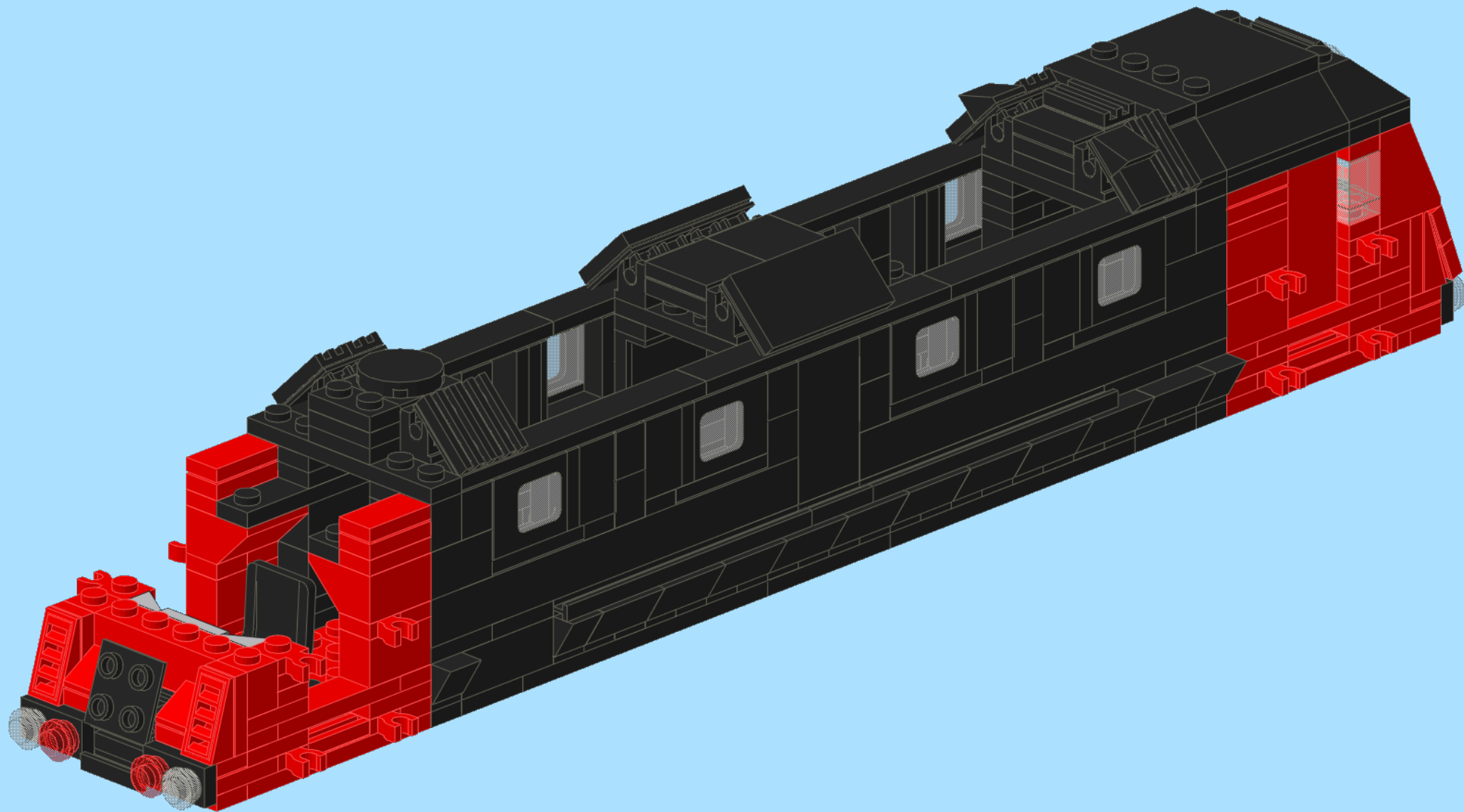
2x 4x

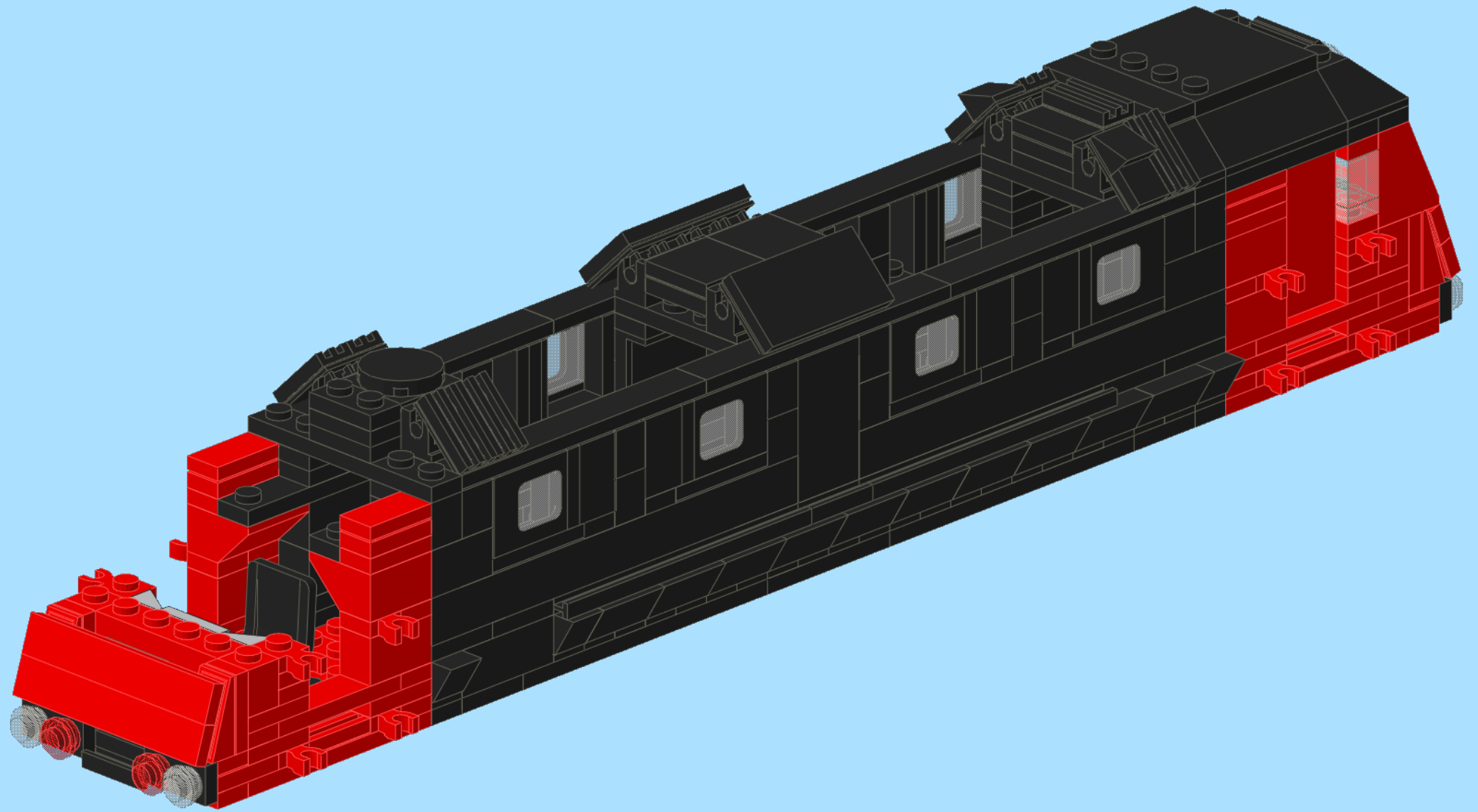


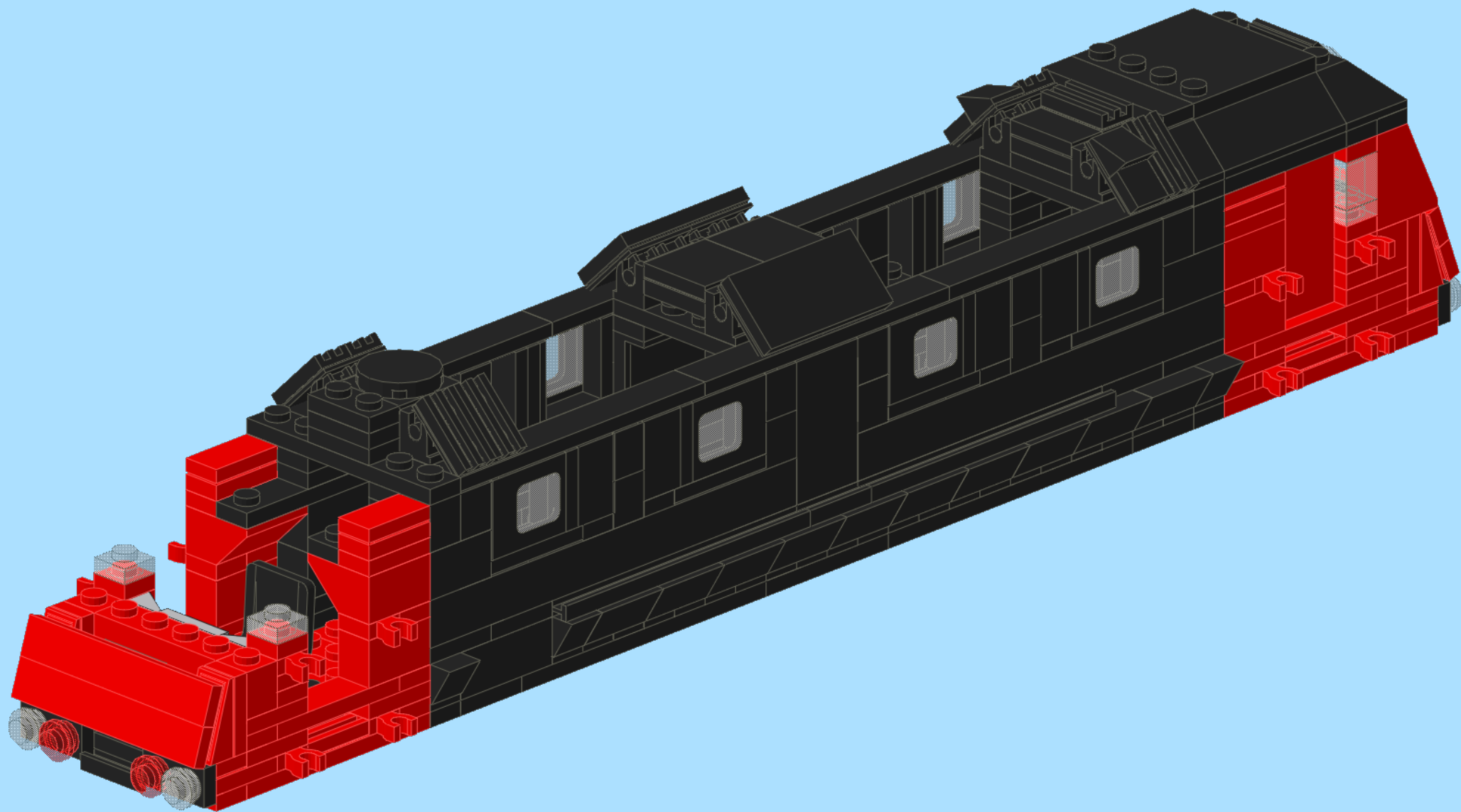


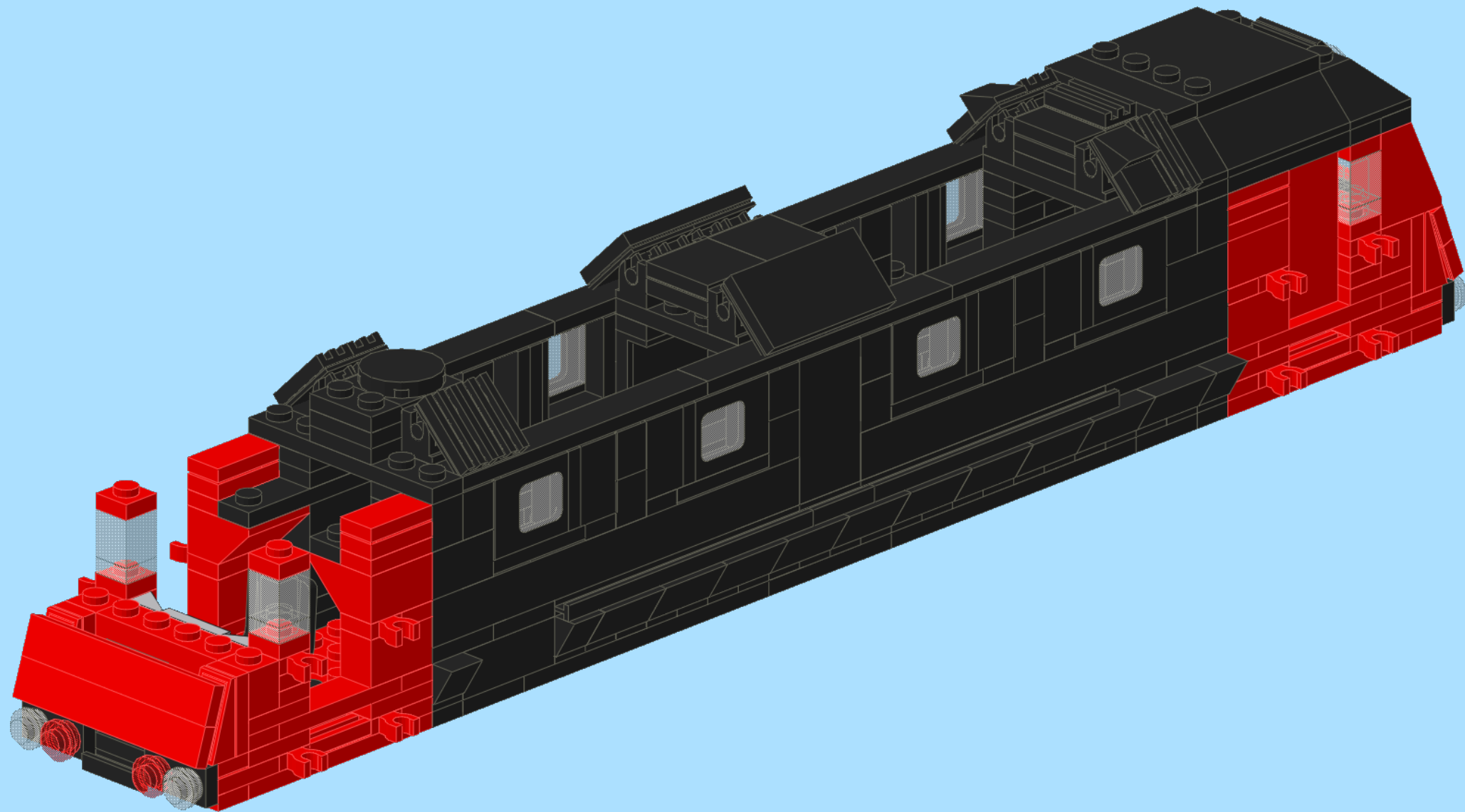
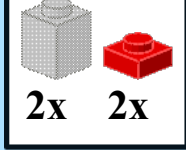


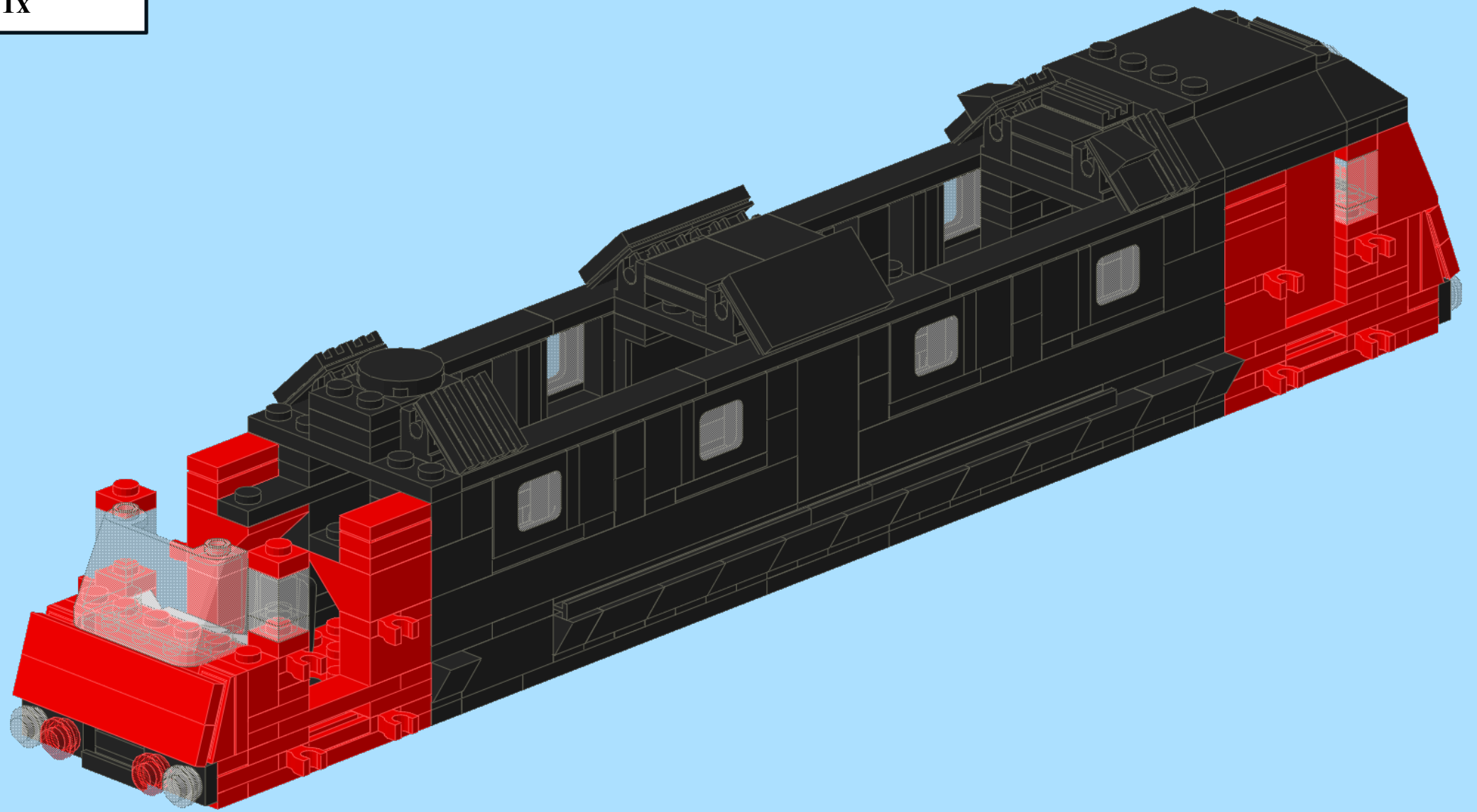
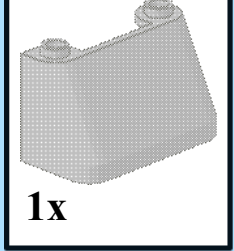


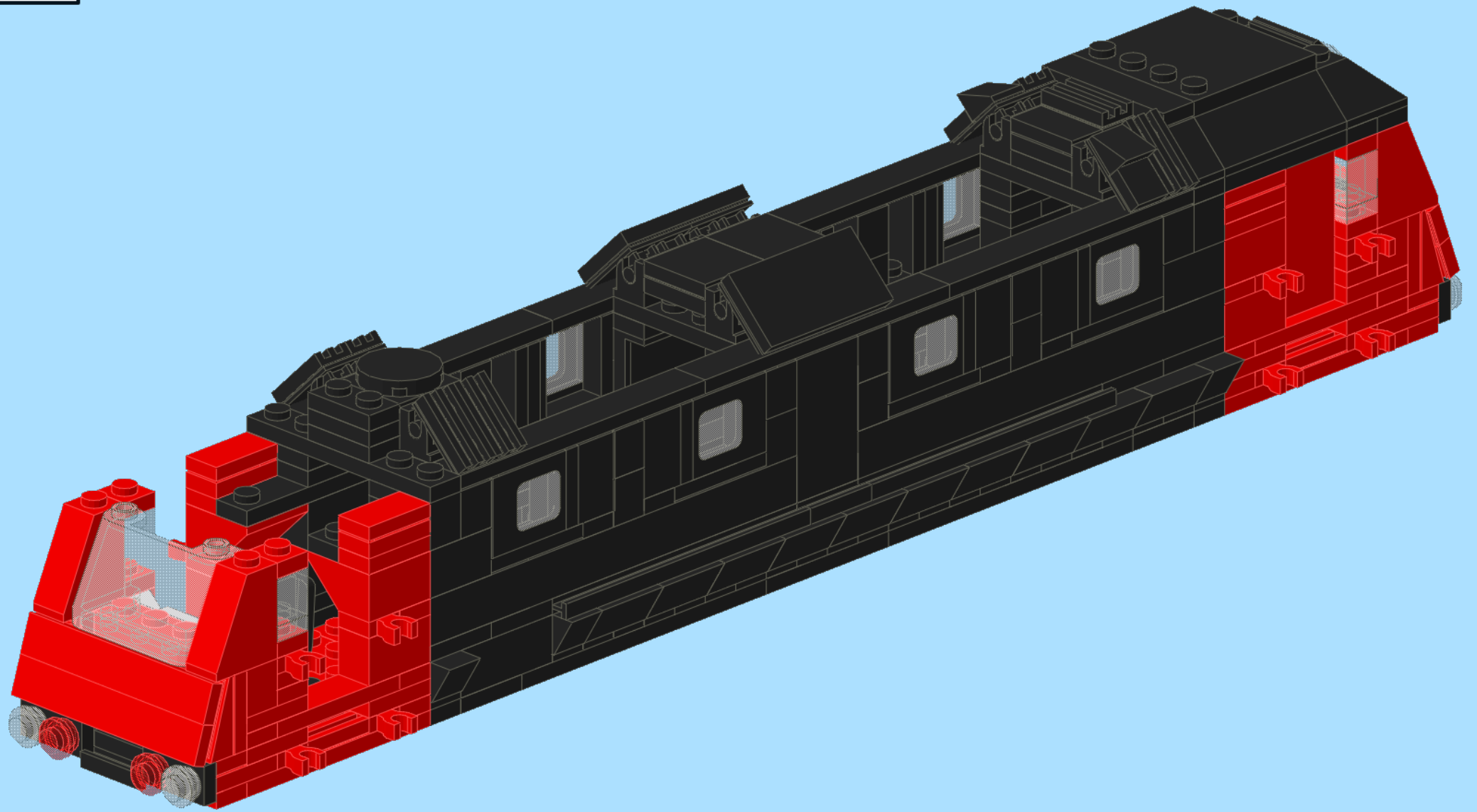


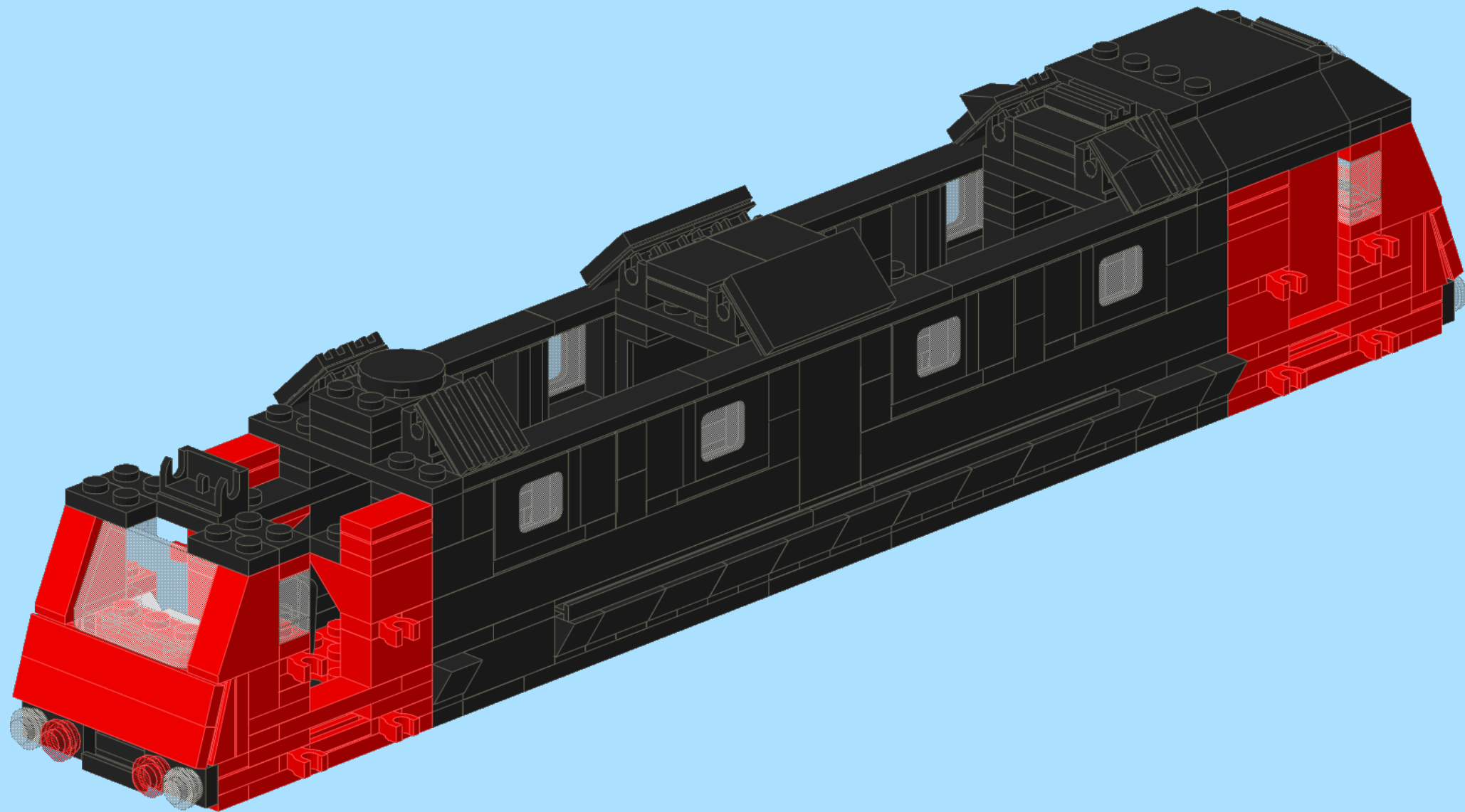
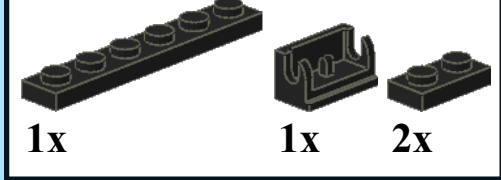


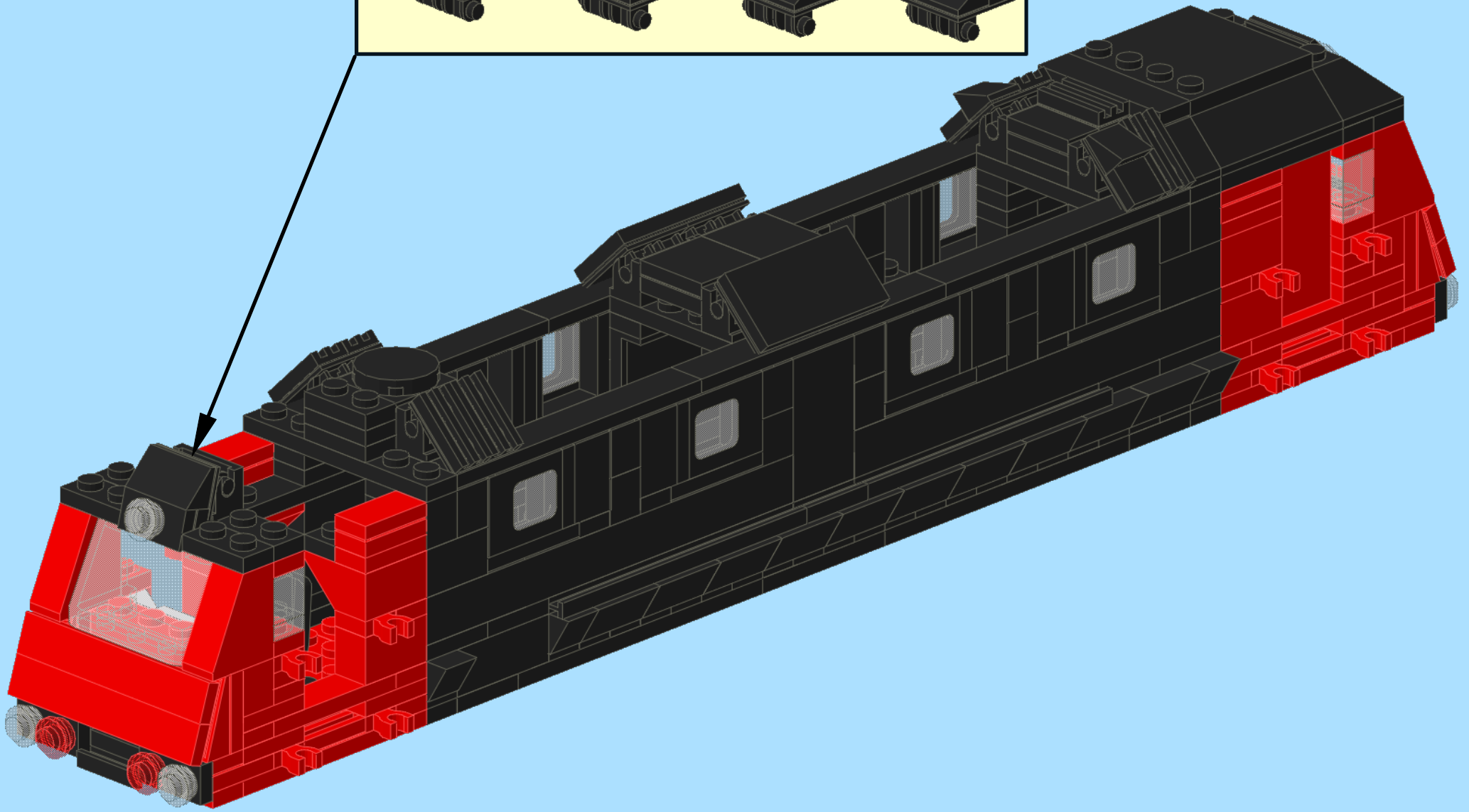
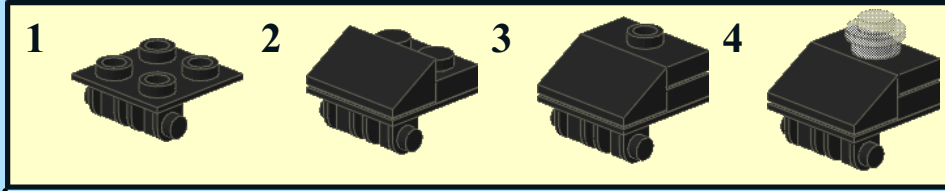
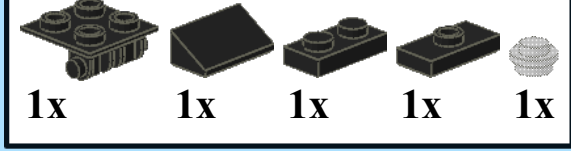


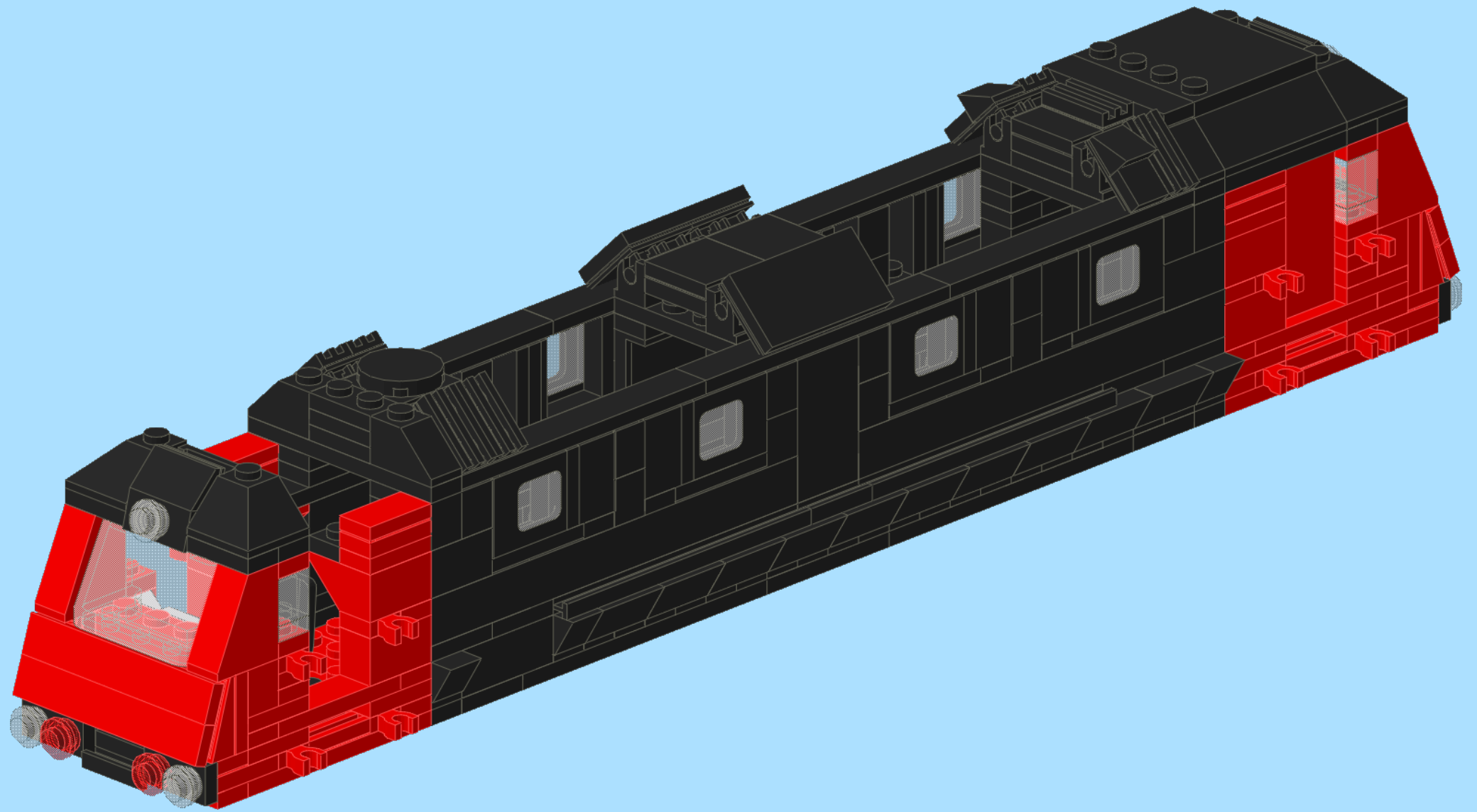
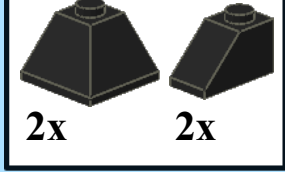


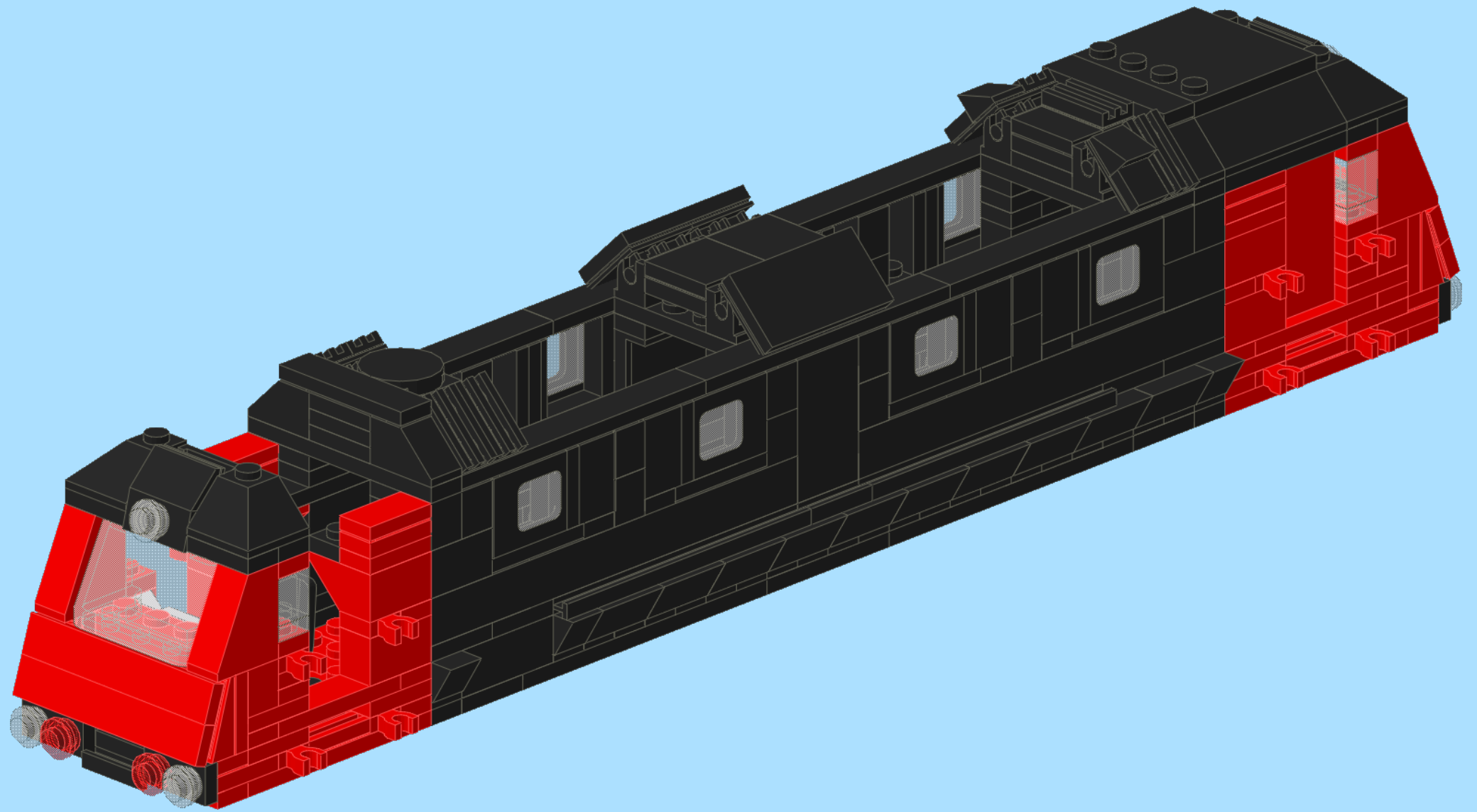
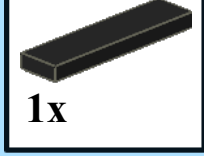


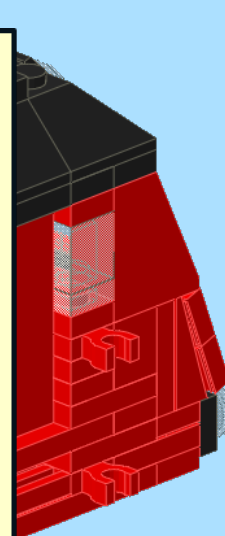
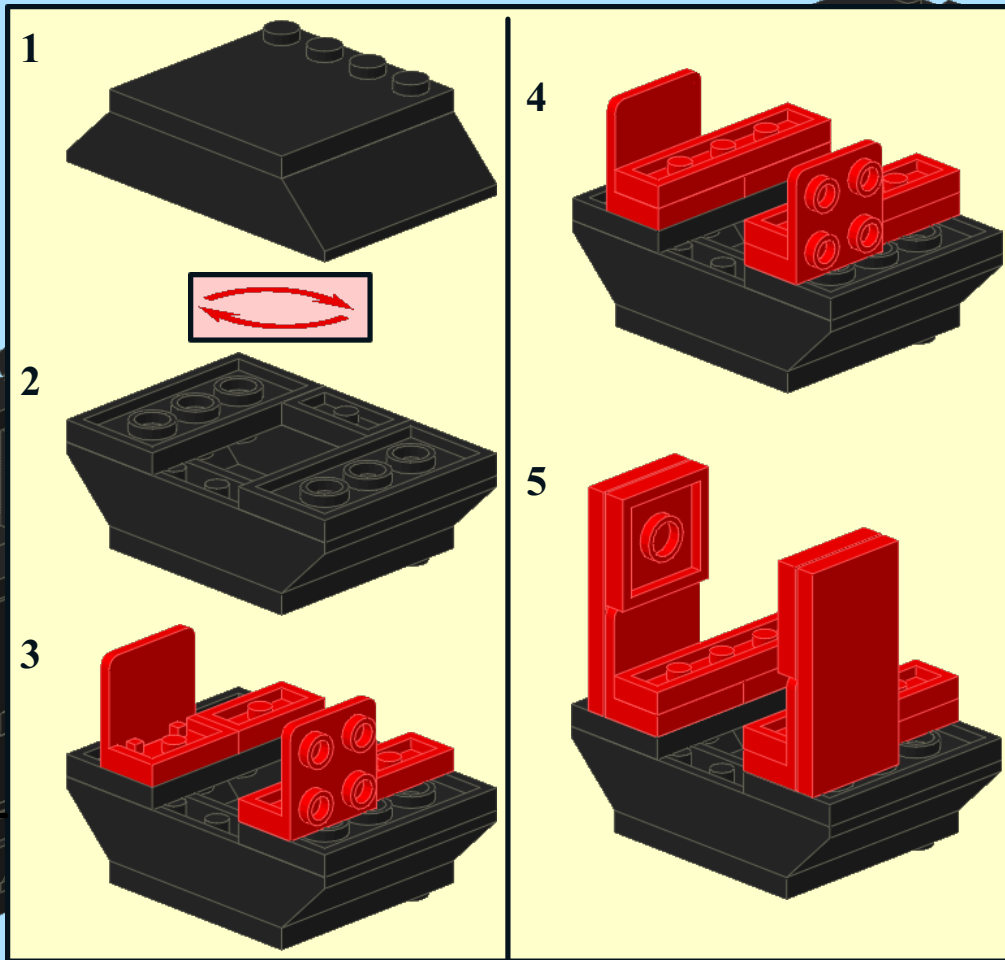
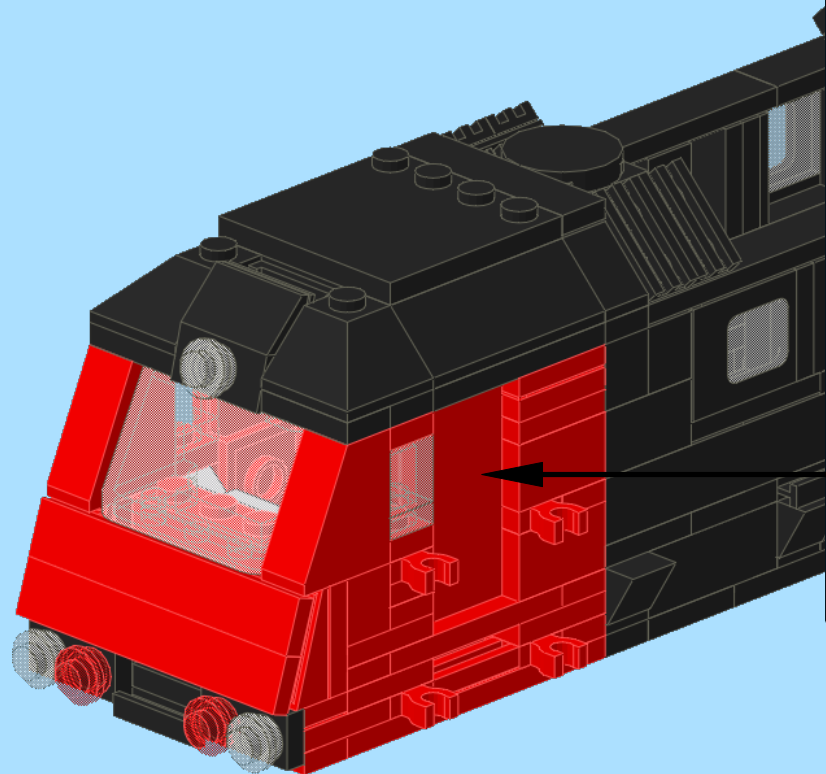
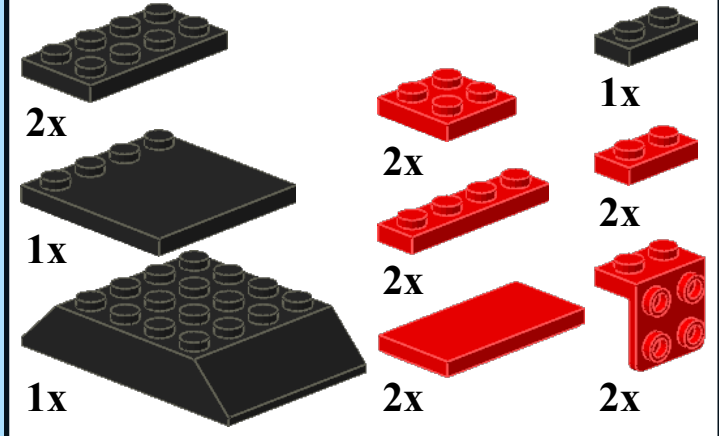


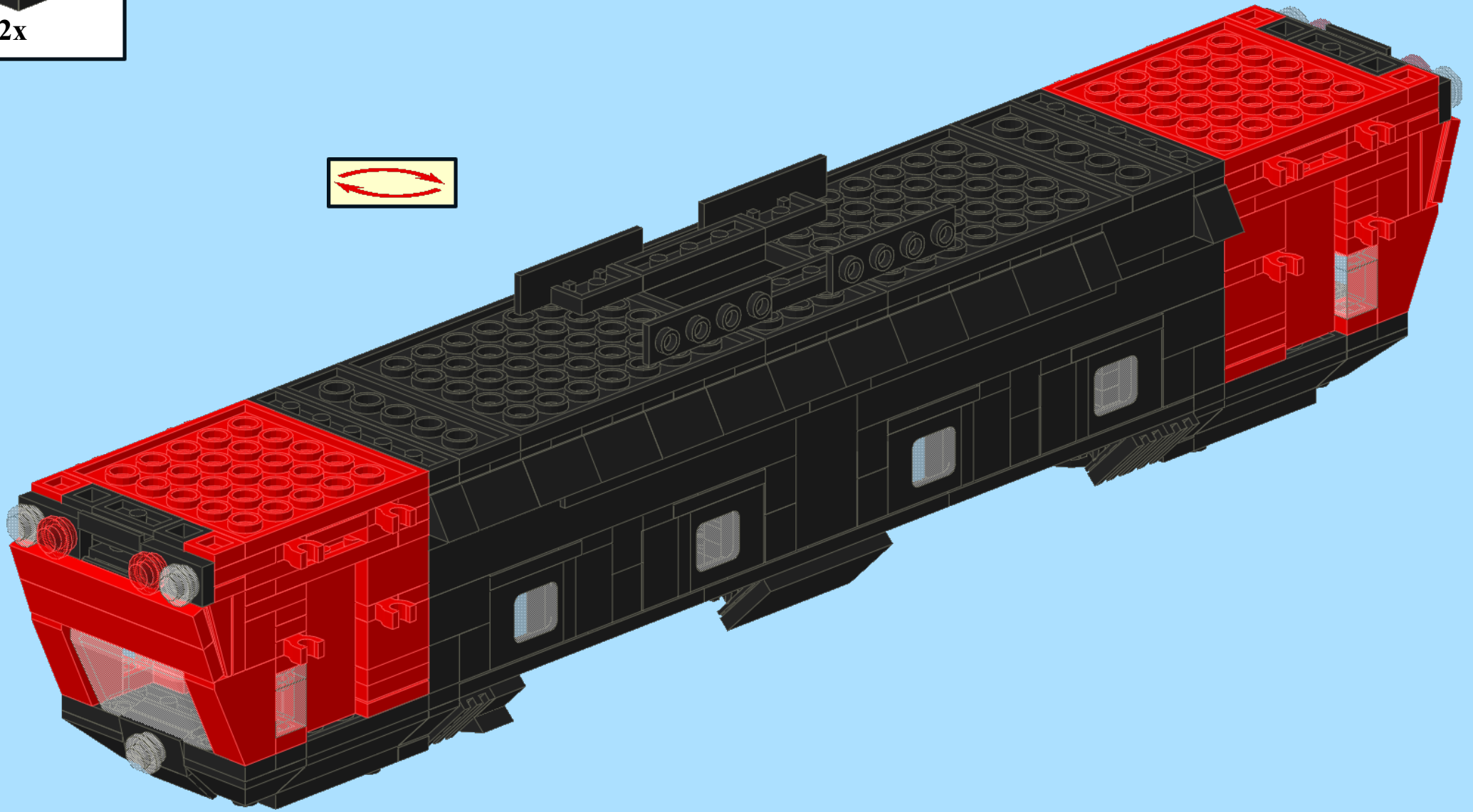
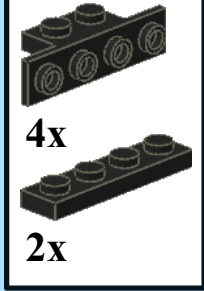


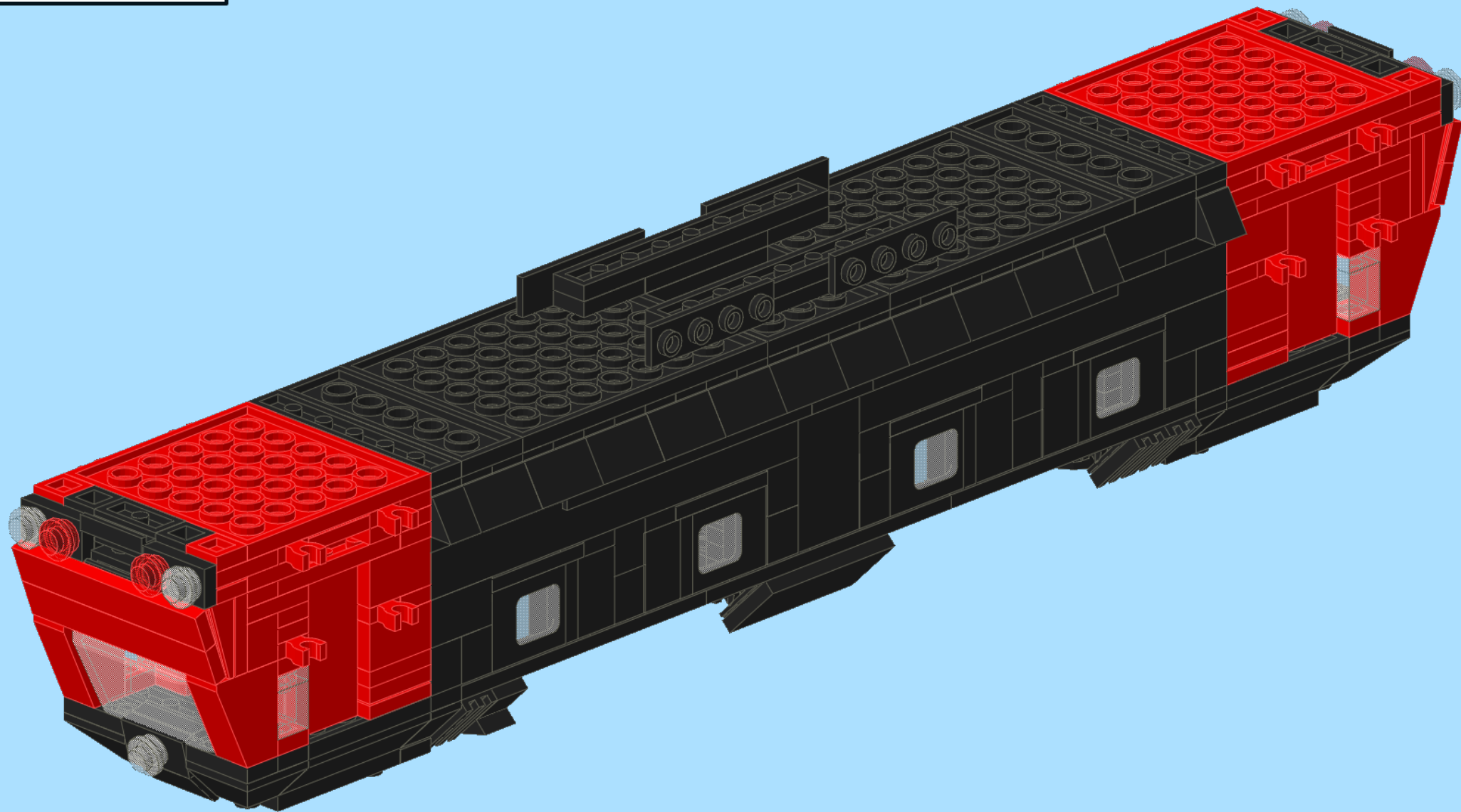
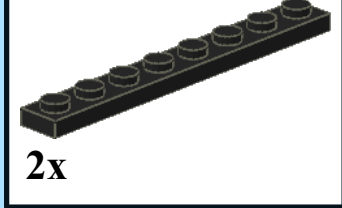


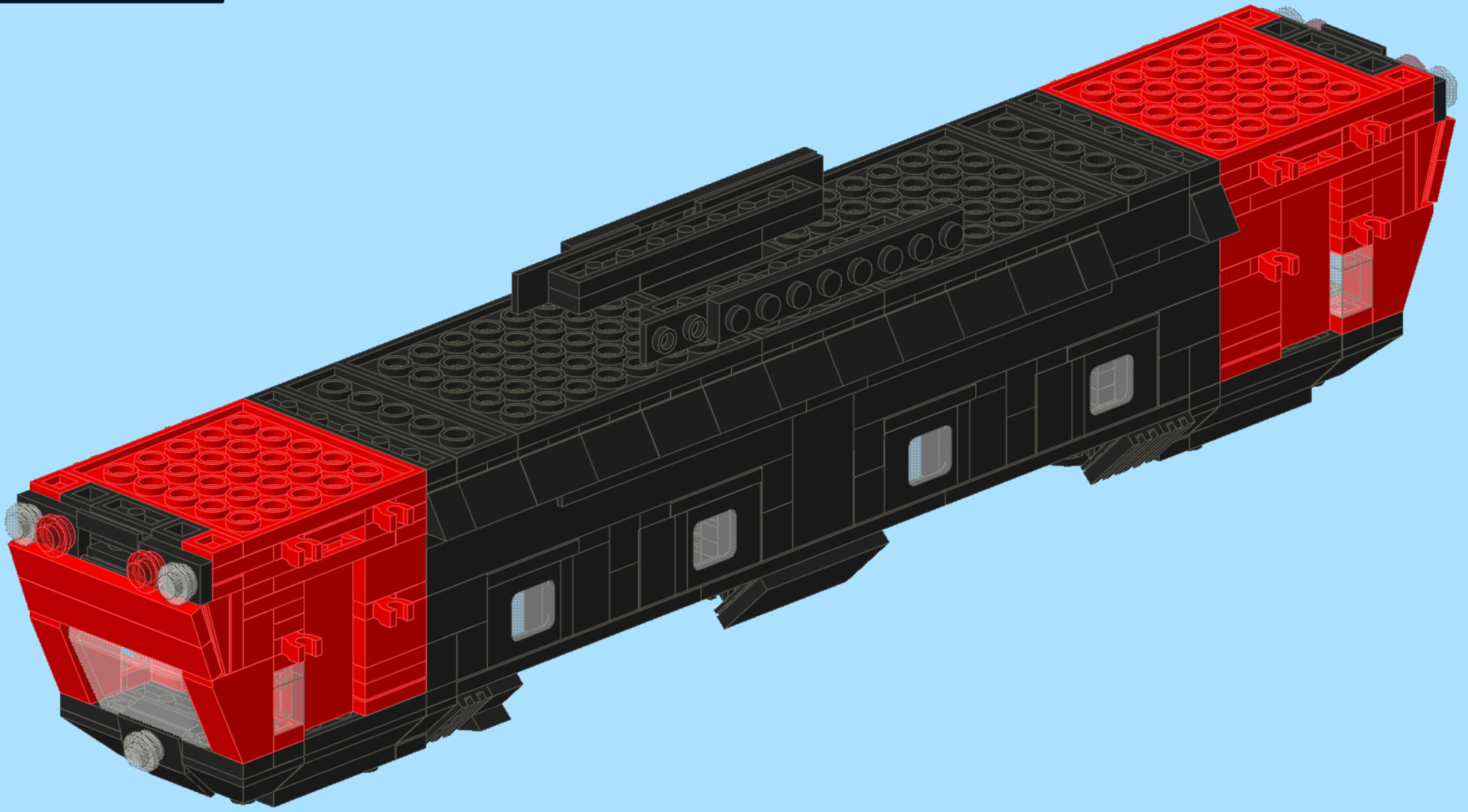
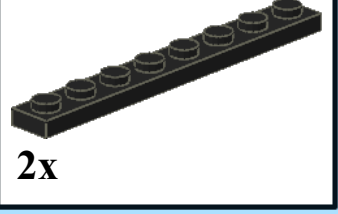


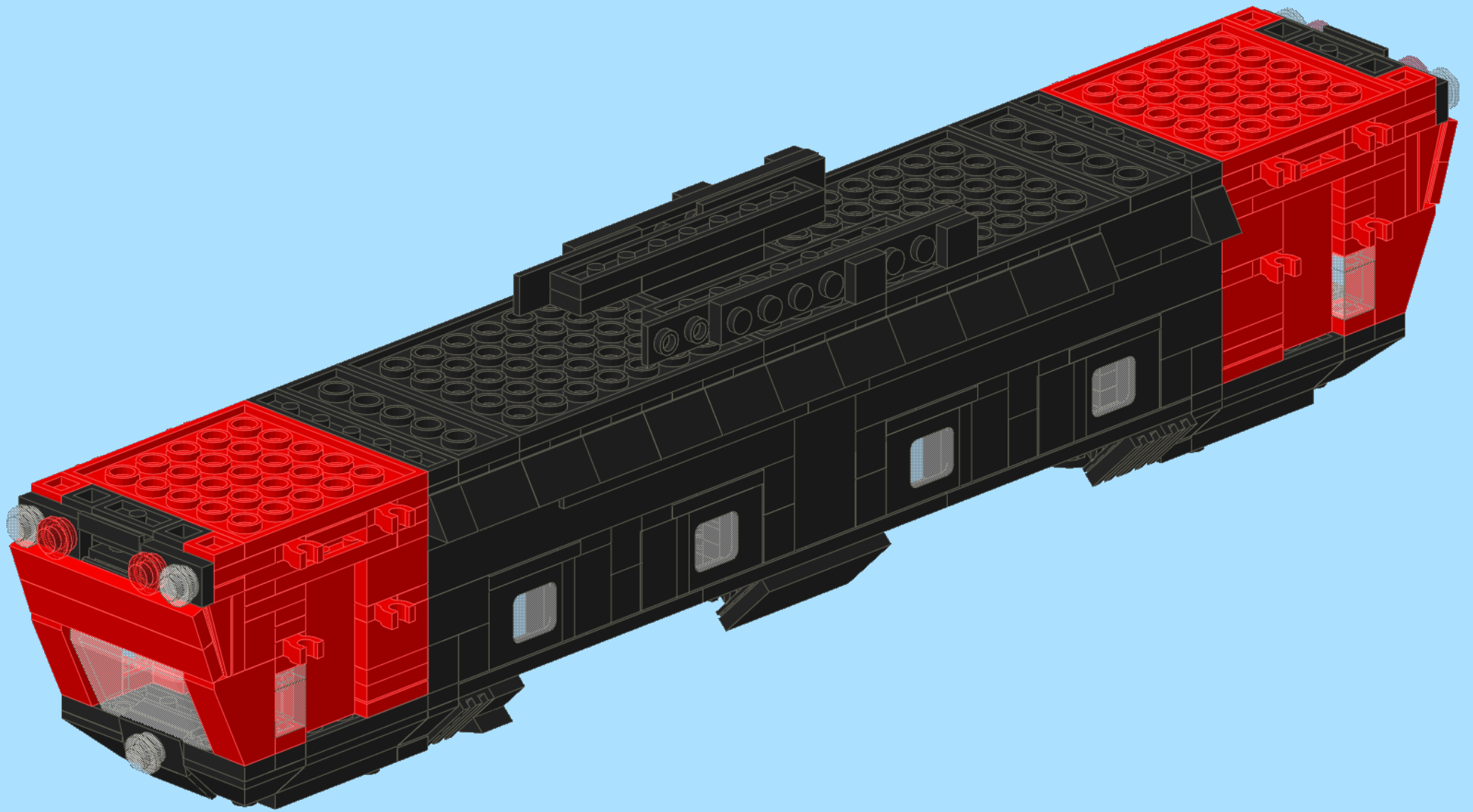


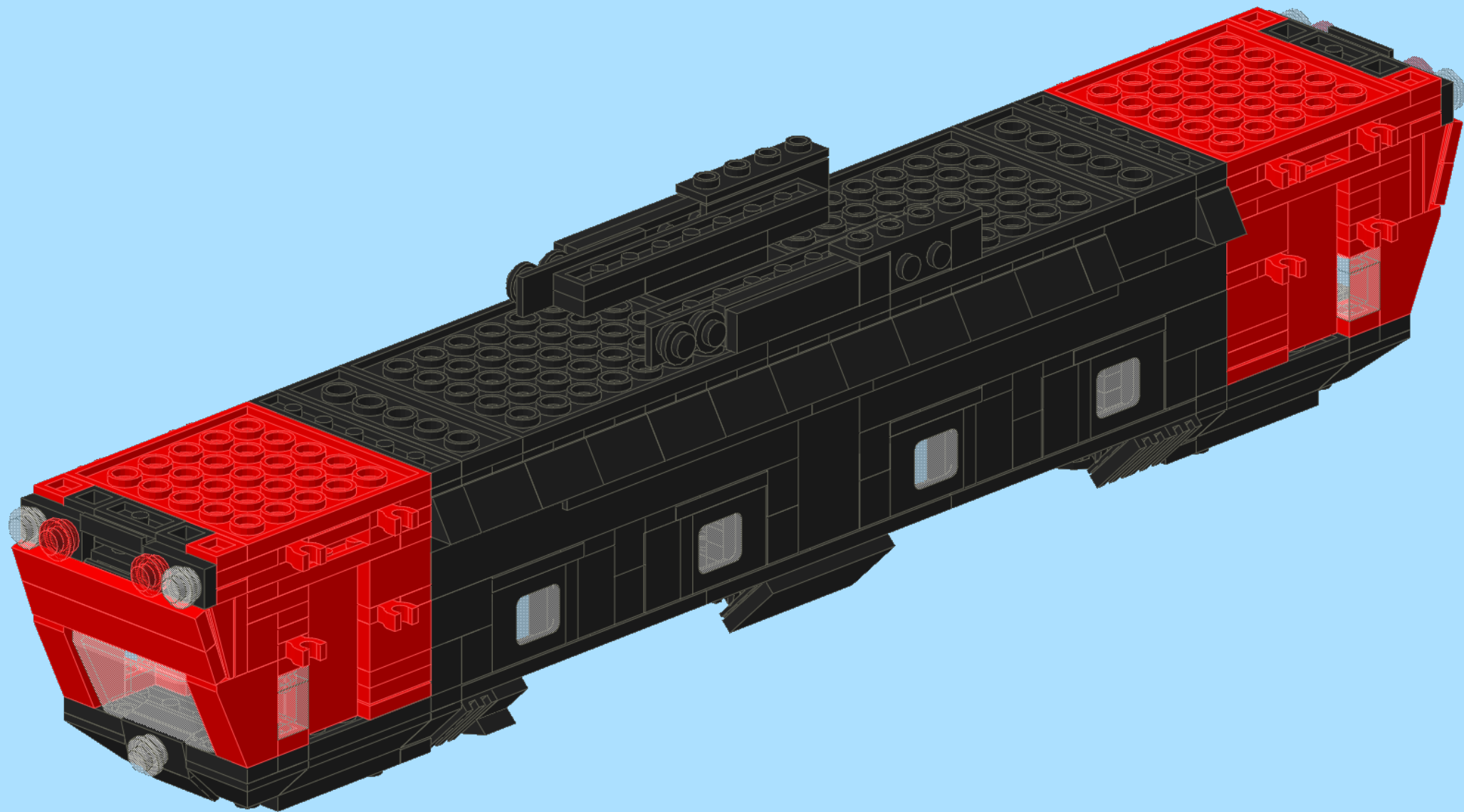
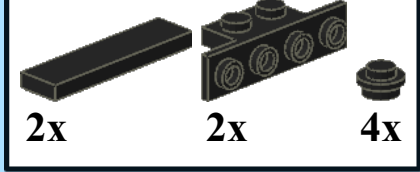




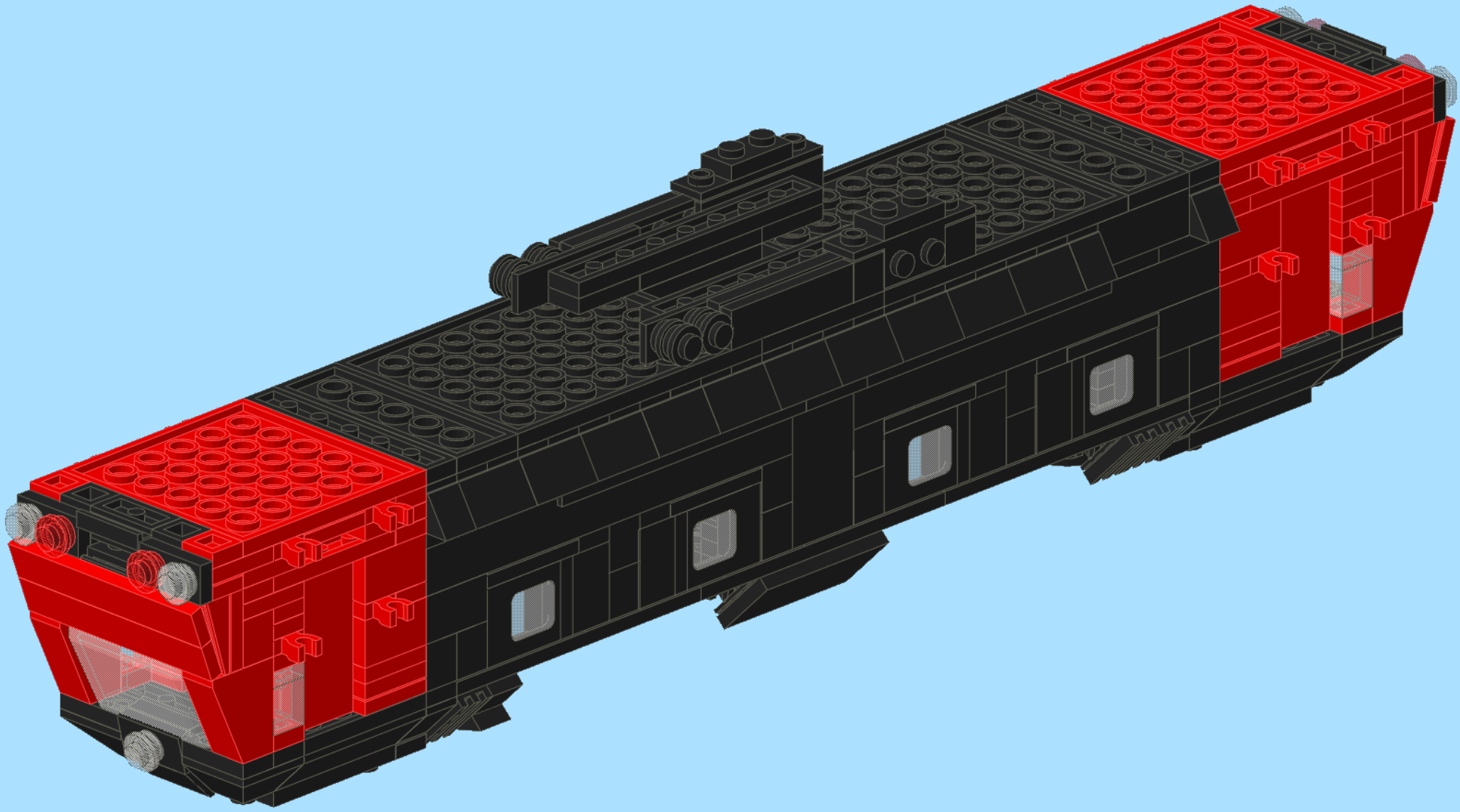


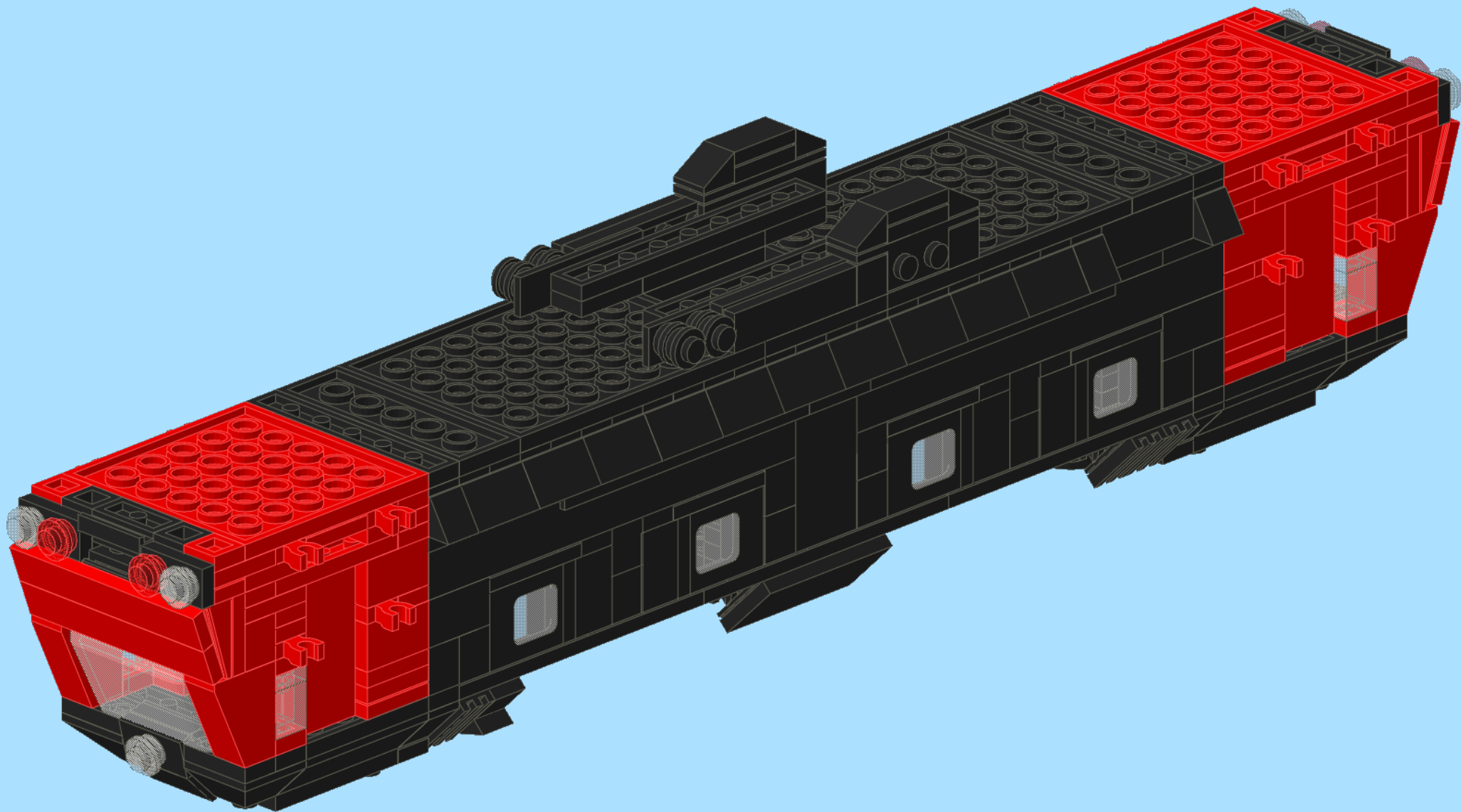


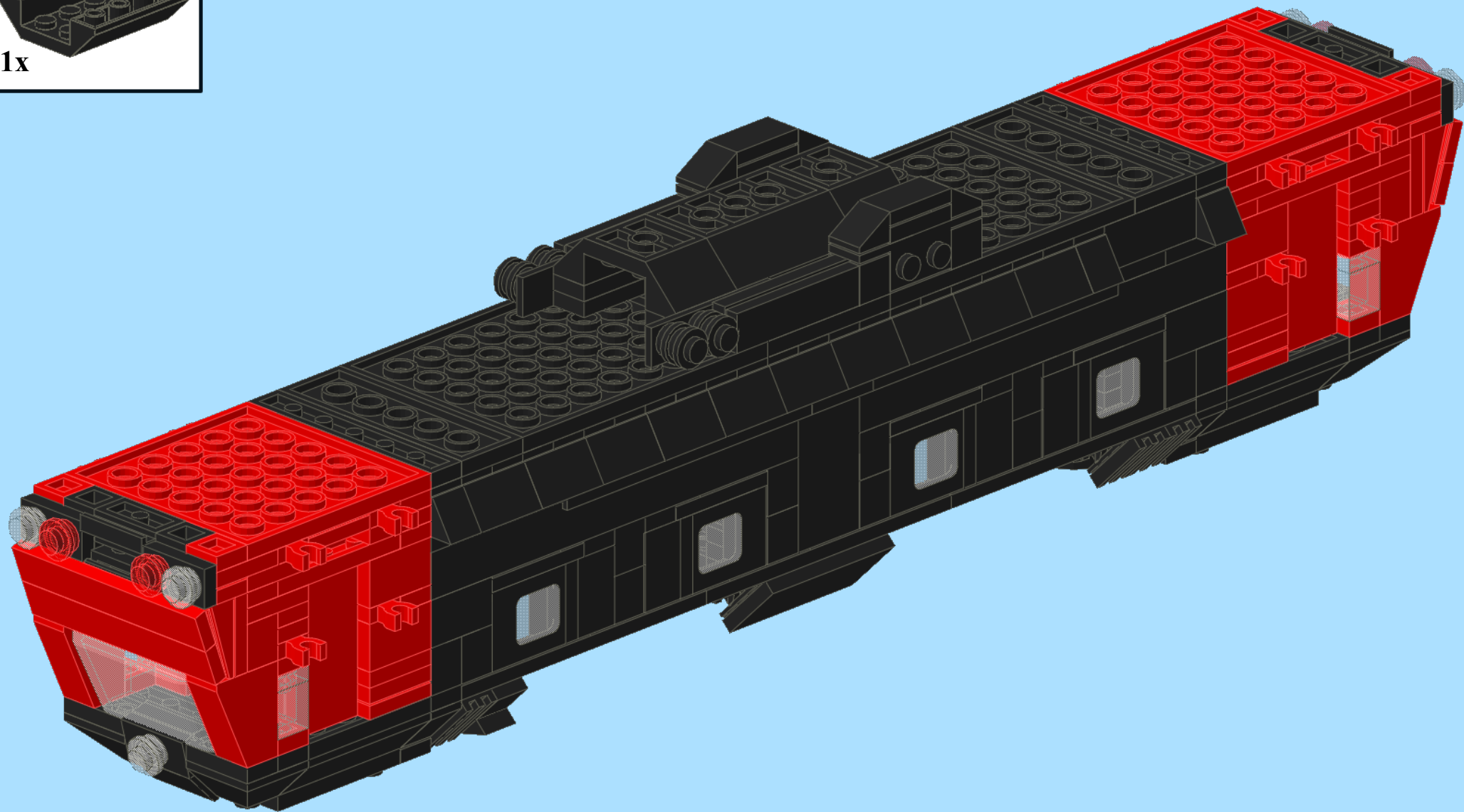
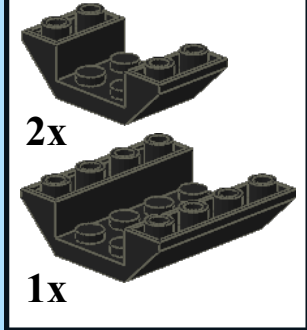


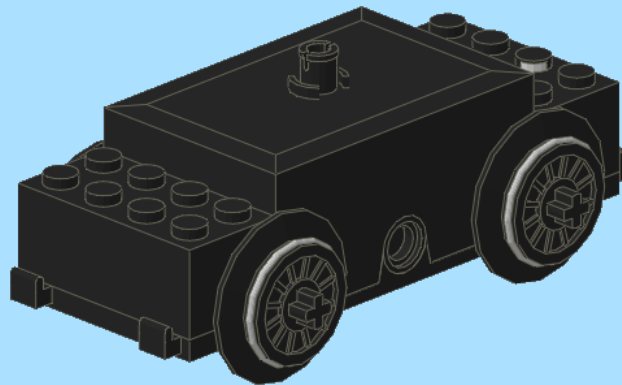
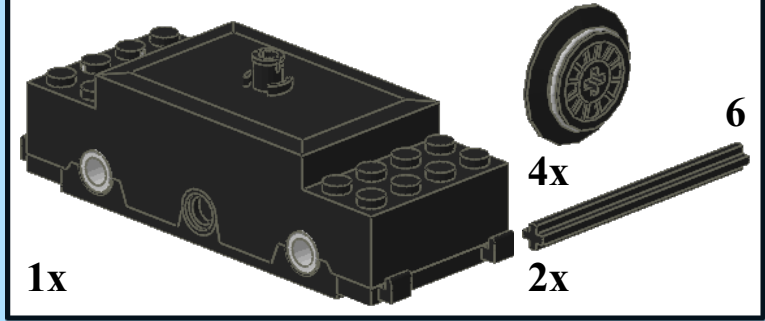


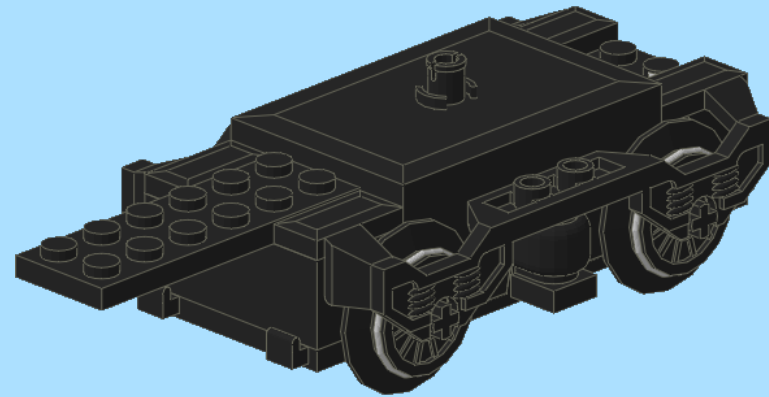
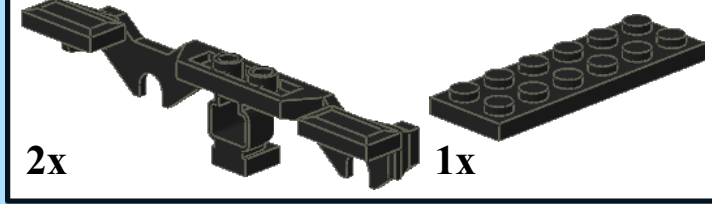
2x 4x

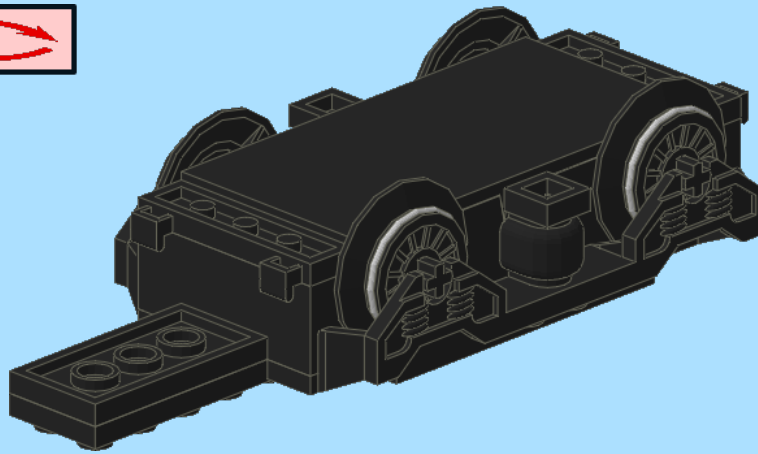
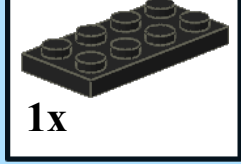


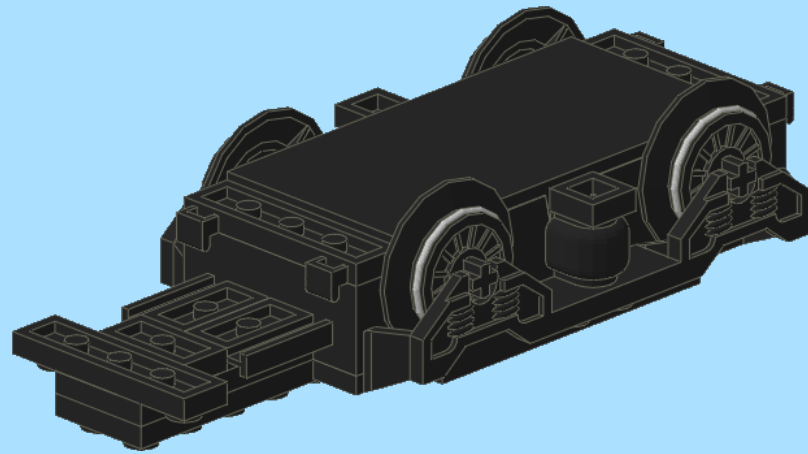
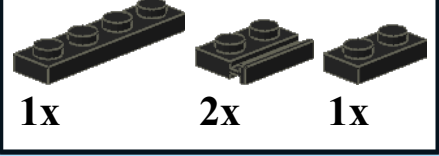


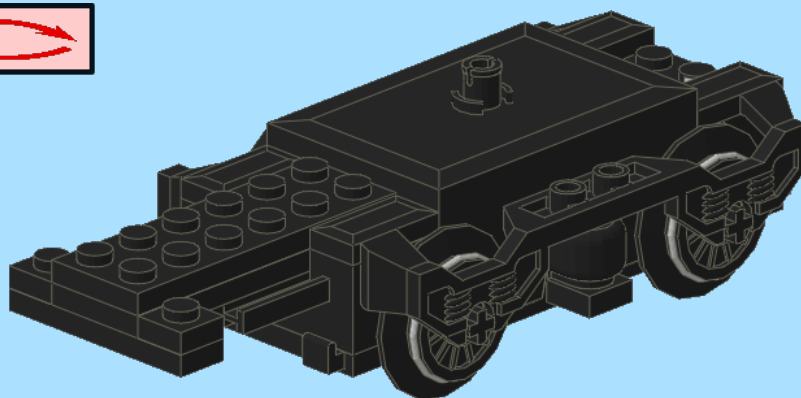


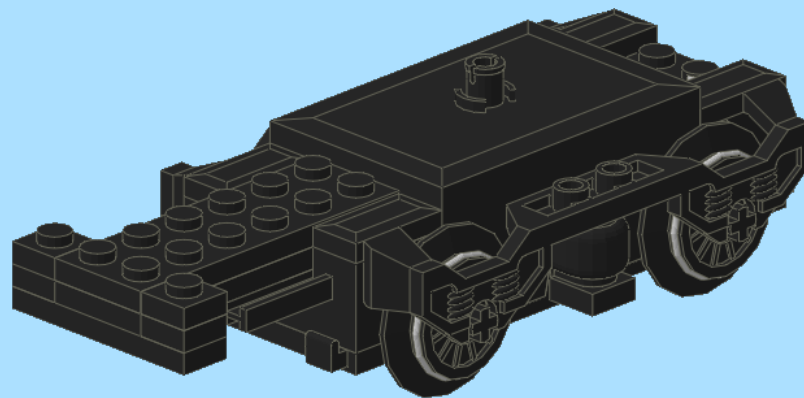


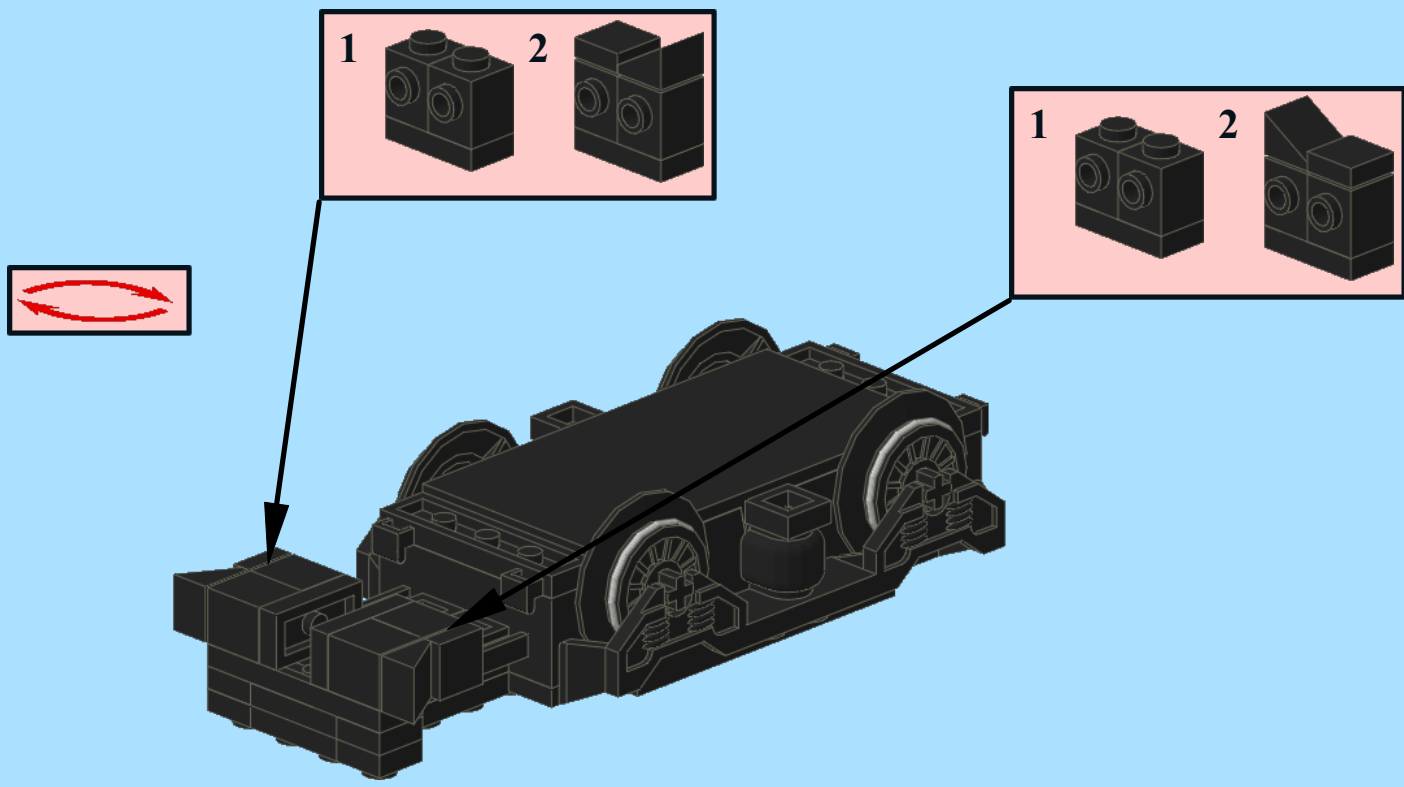
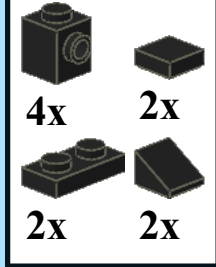


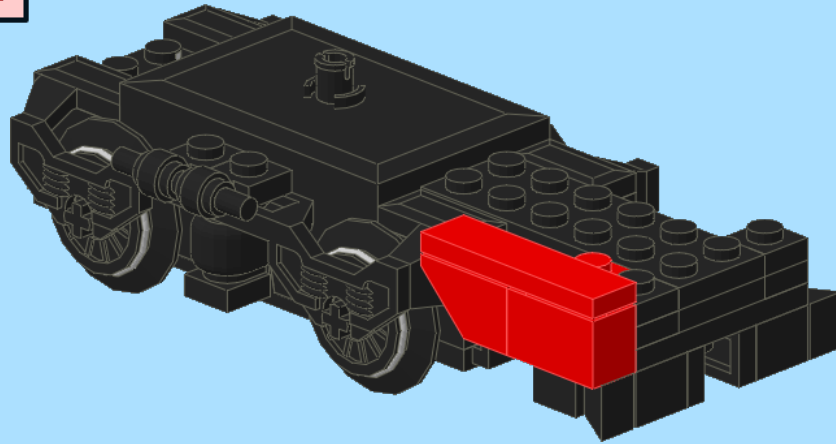
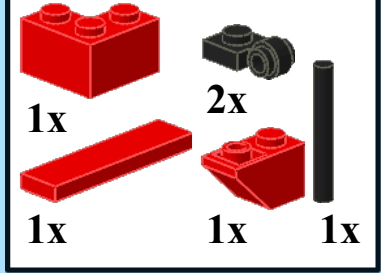


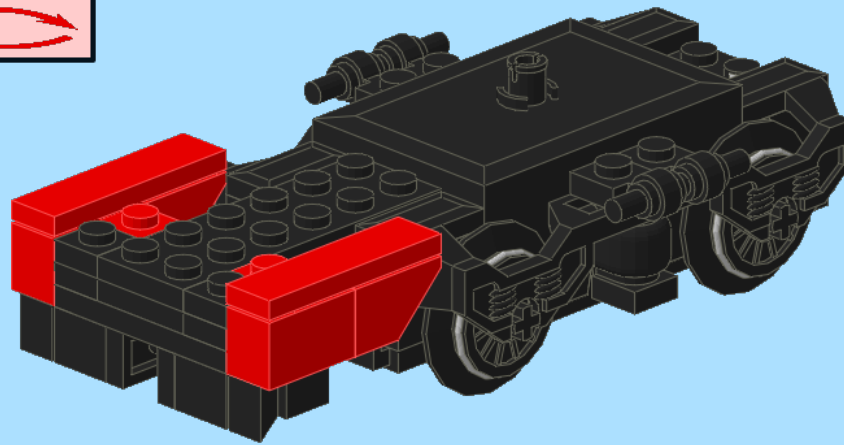
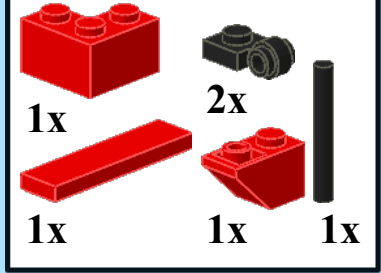


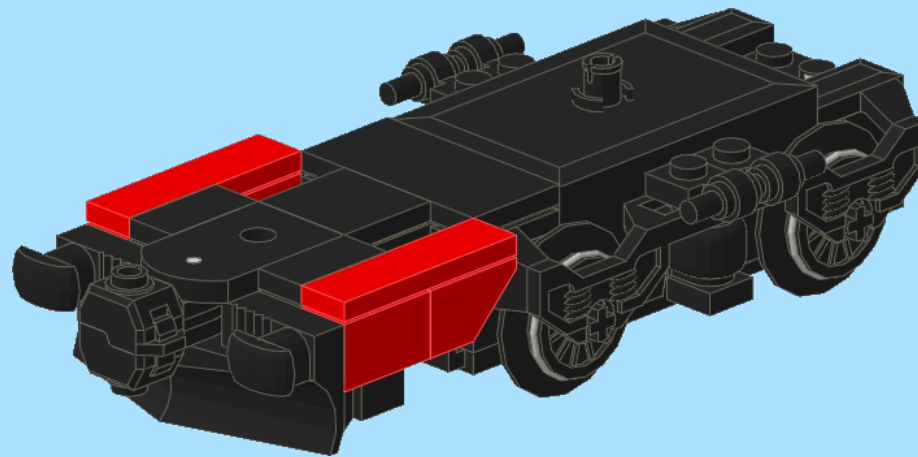
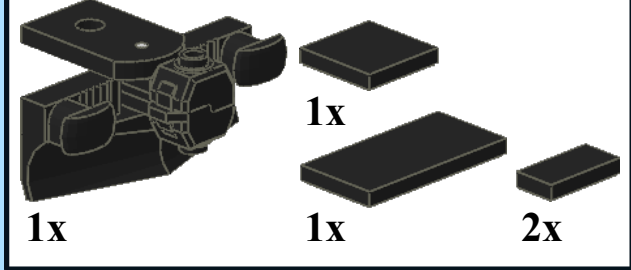


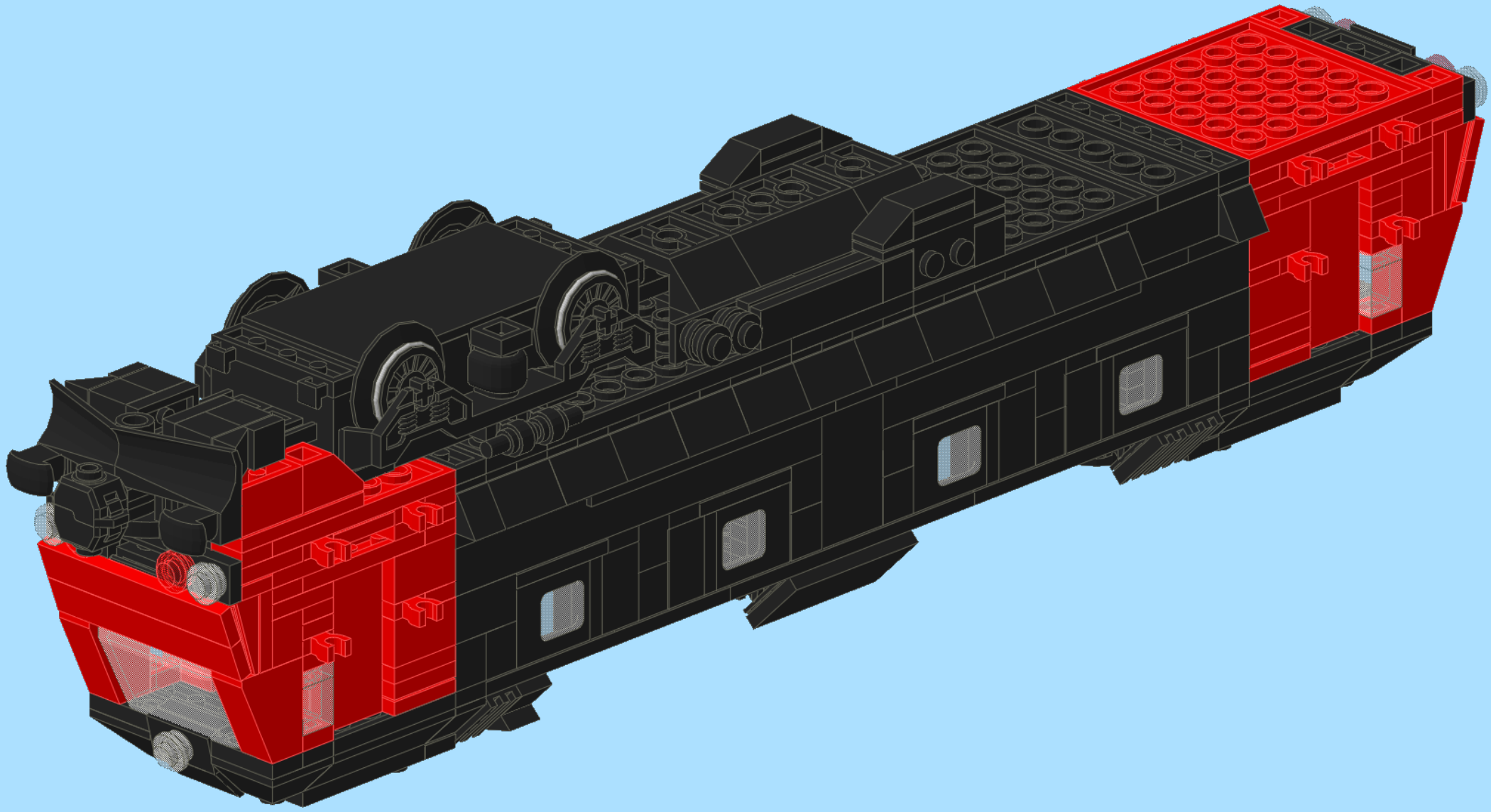


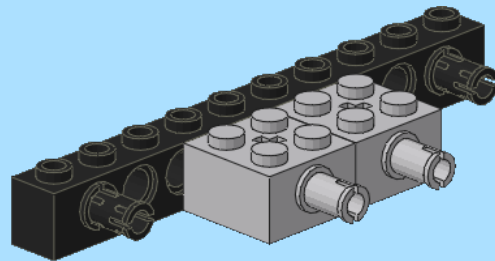
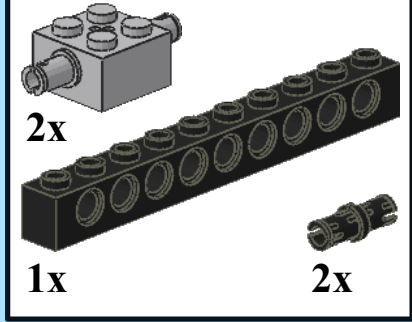


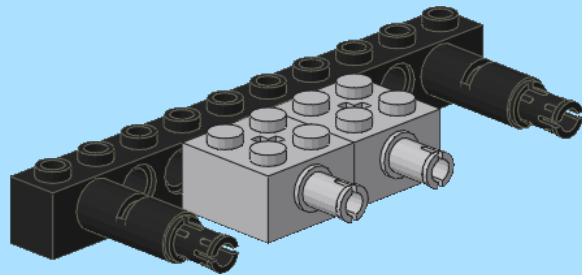


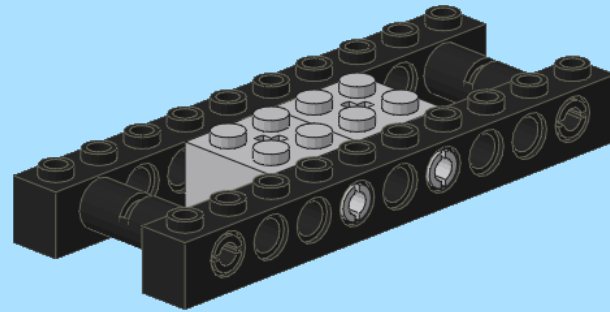
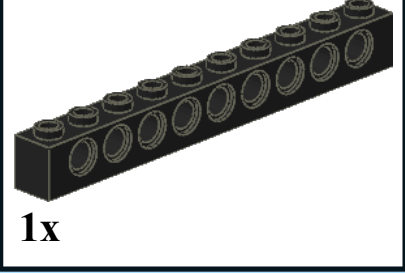


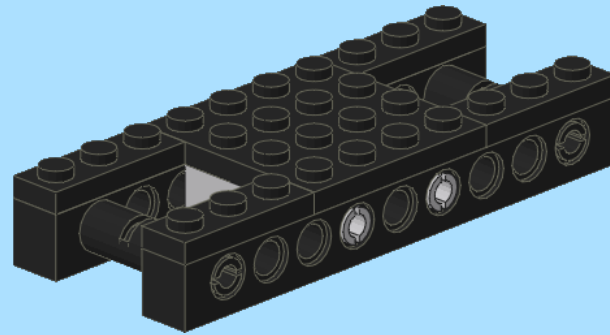
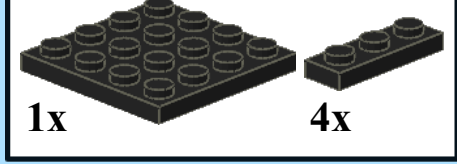


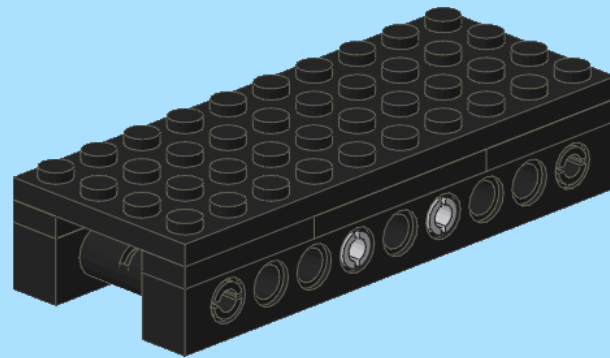
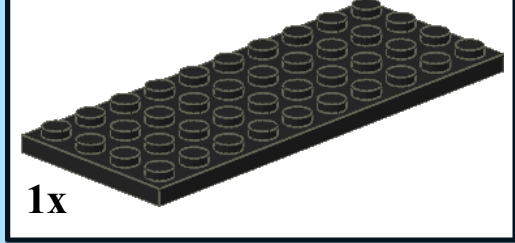


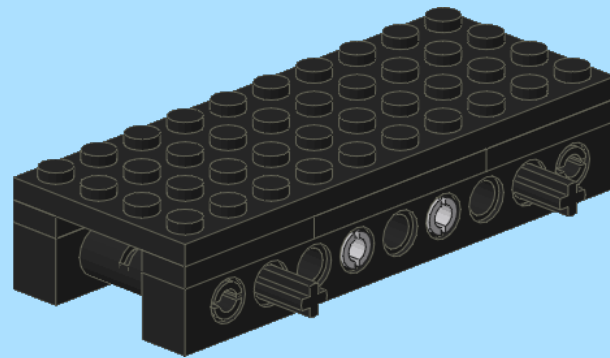






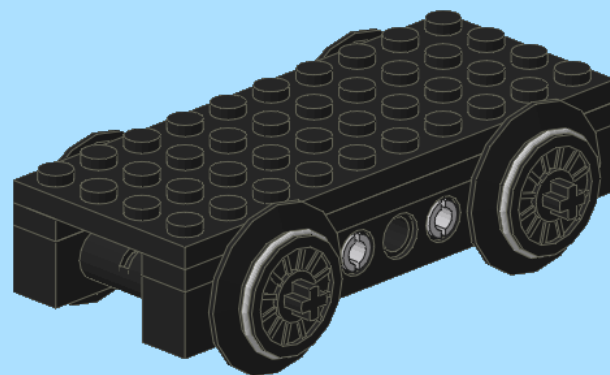


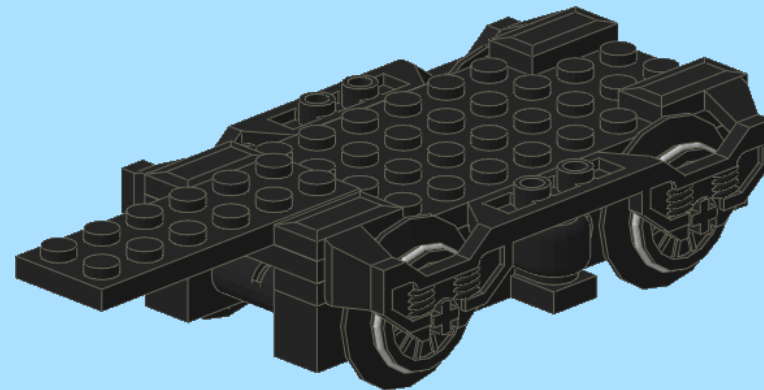


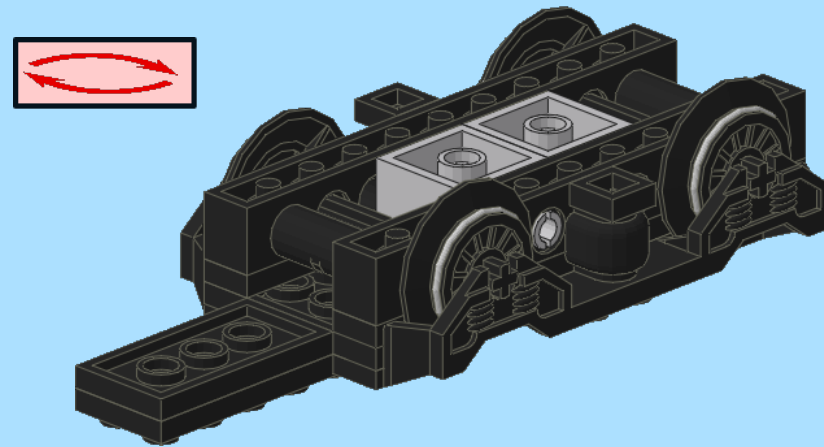
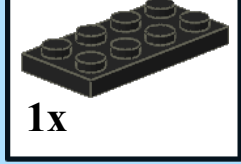


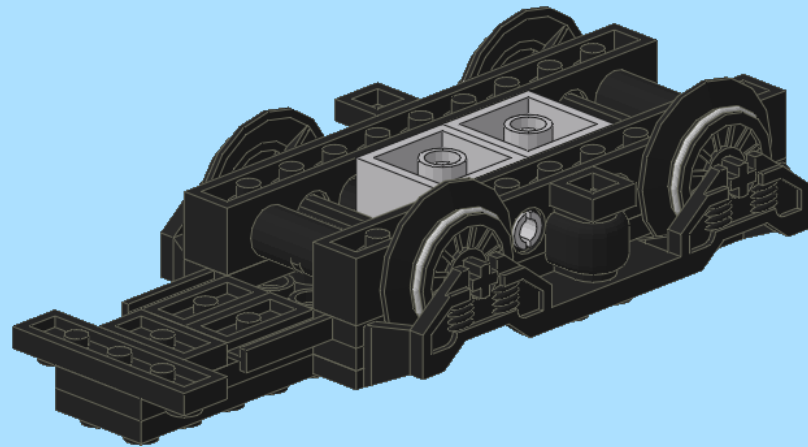
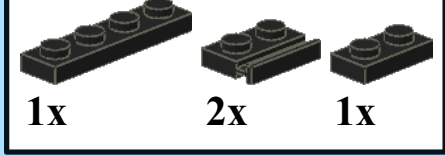


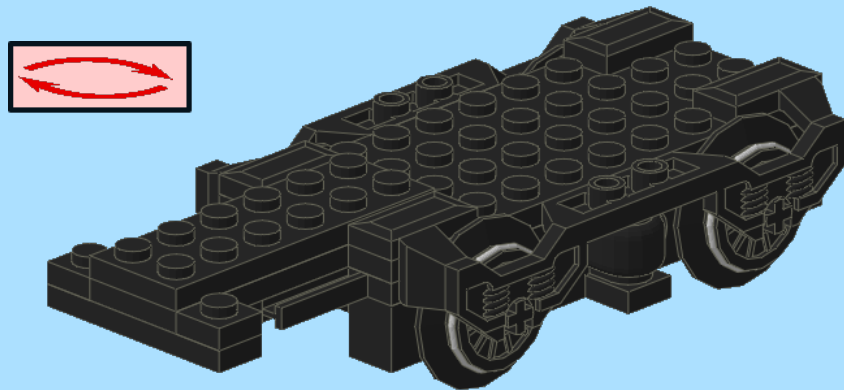
4x

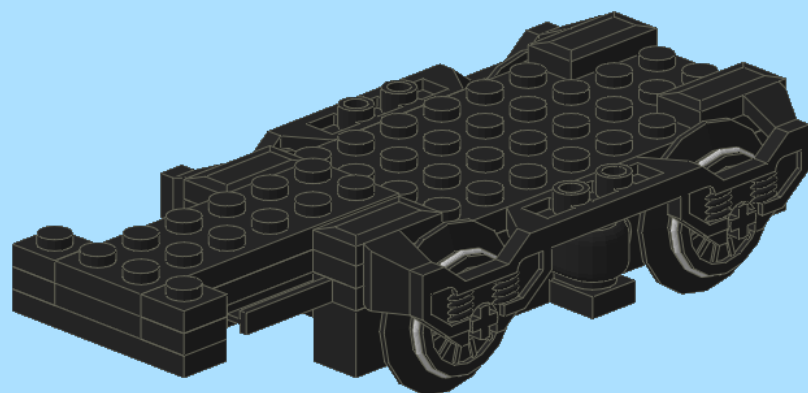


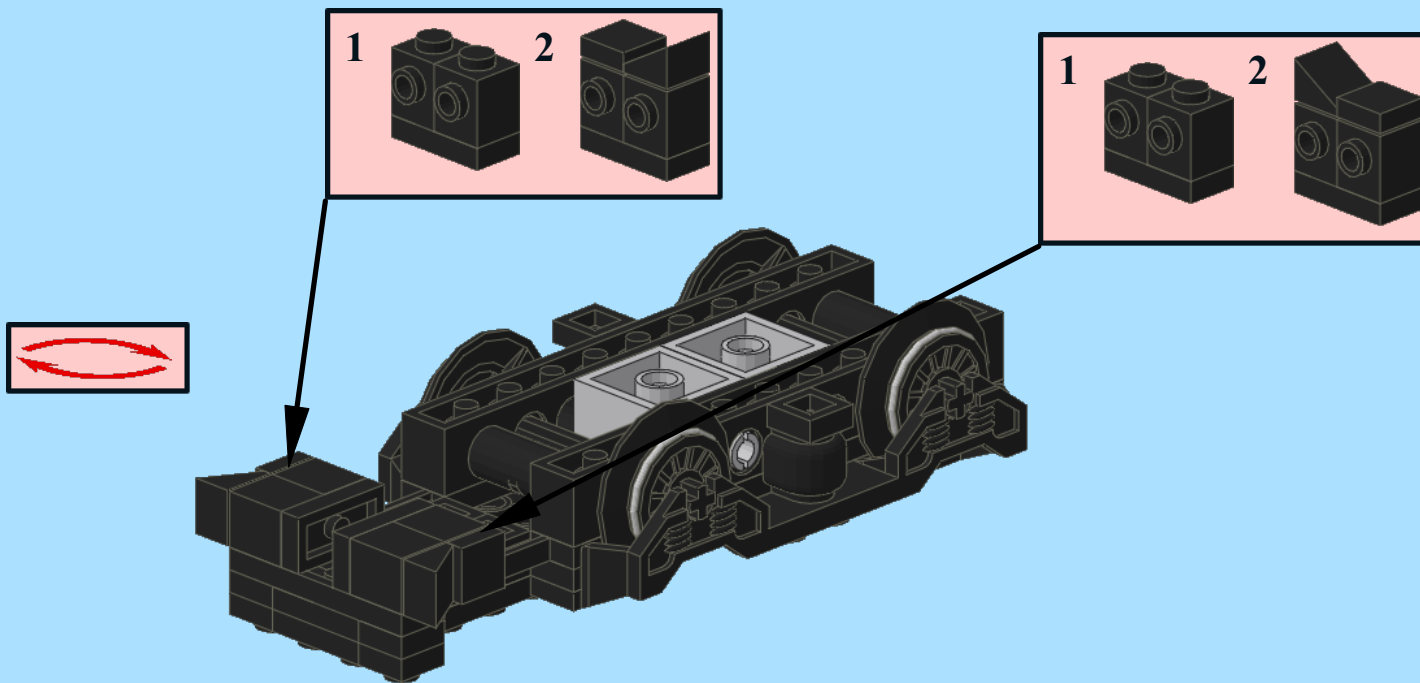
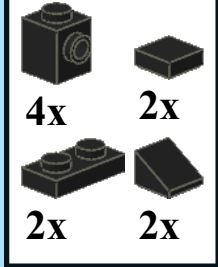


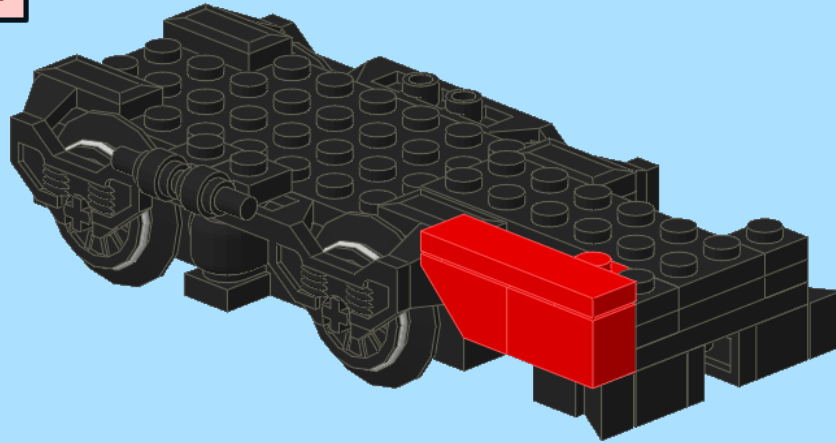
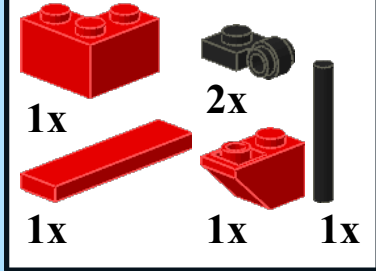


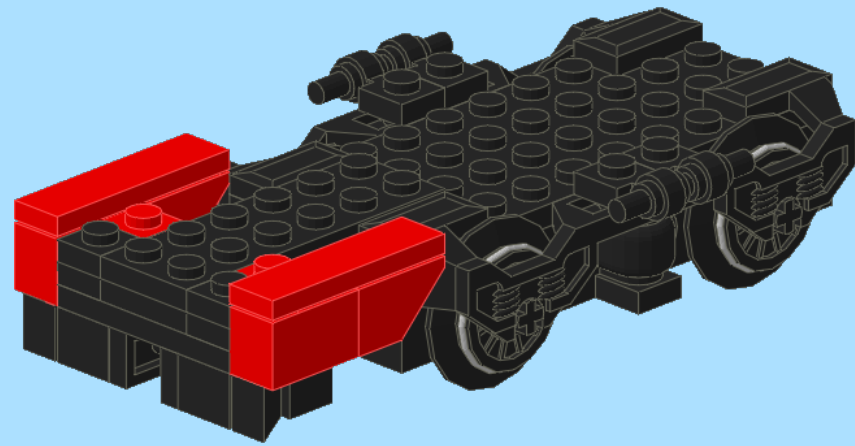
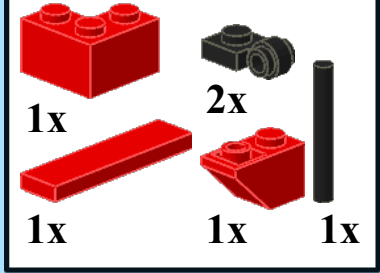


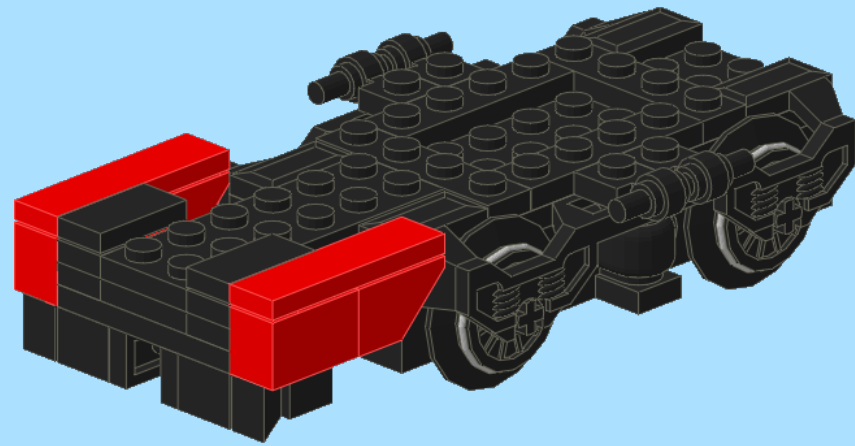
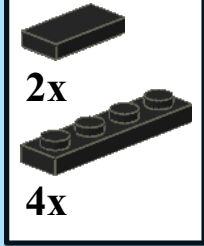


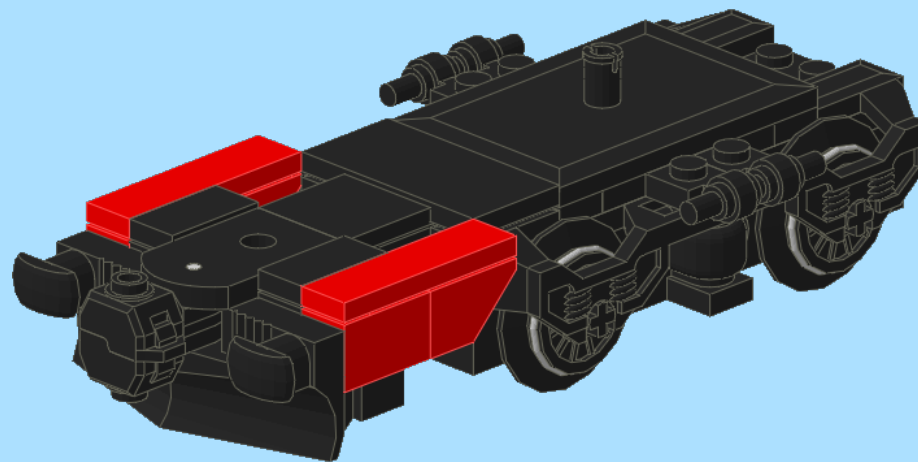
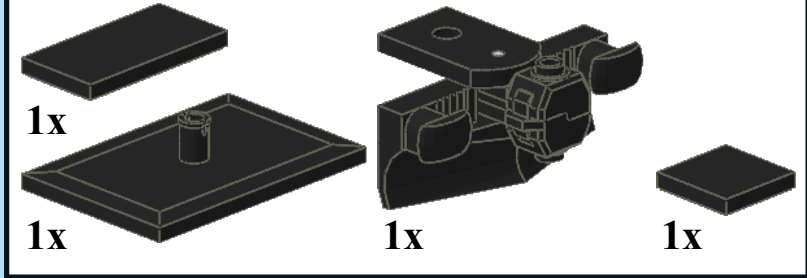


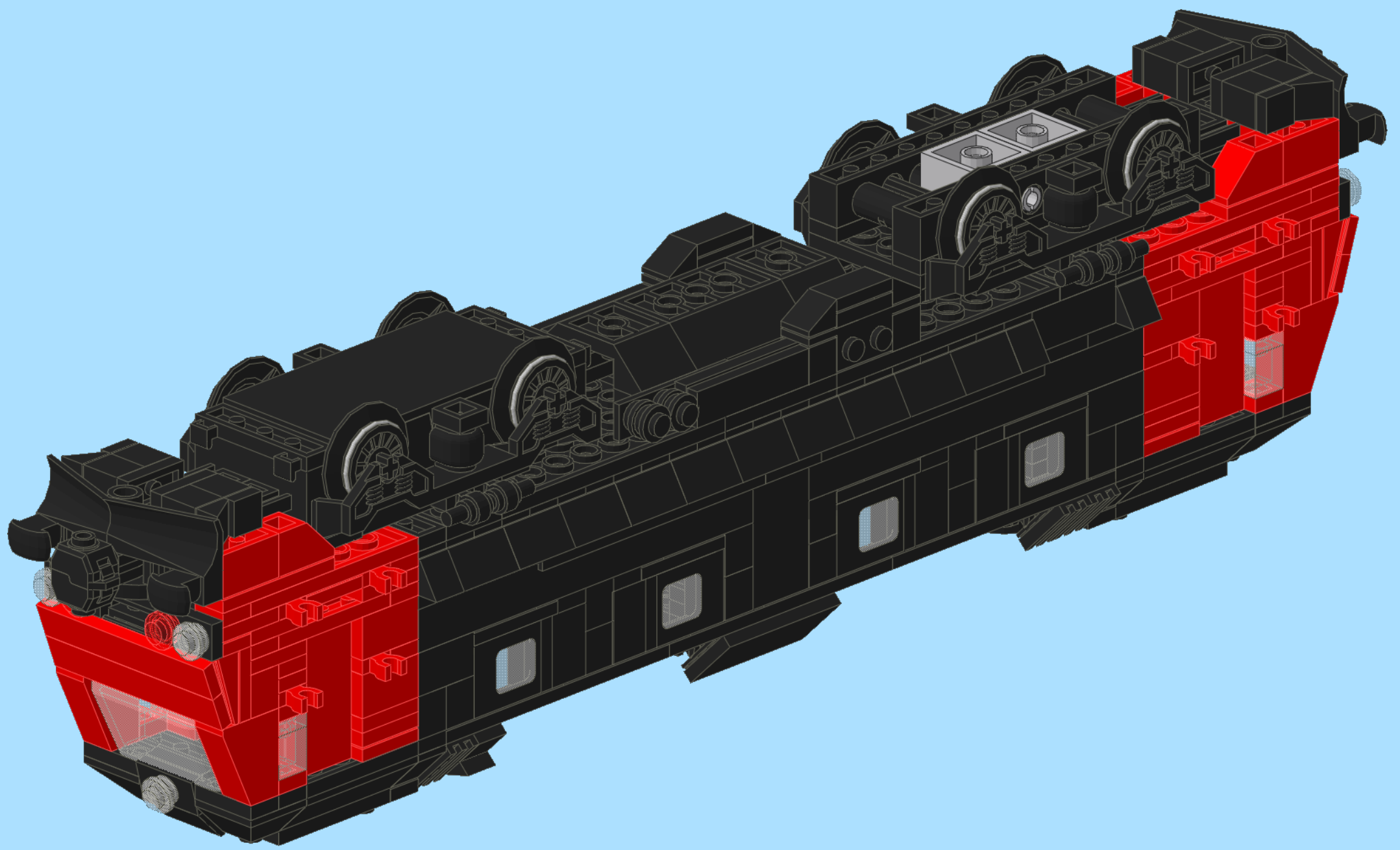


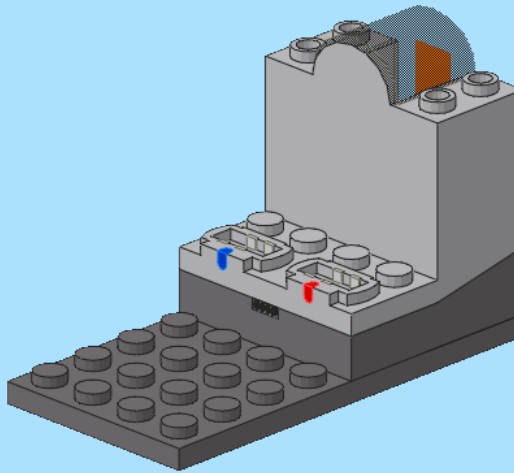
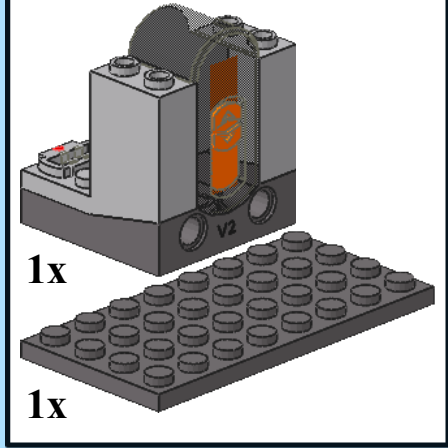


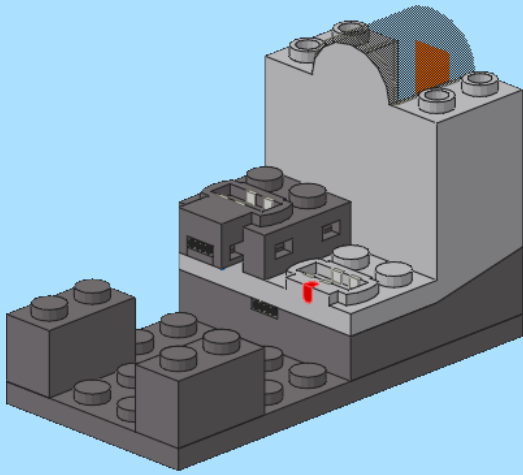
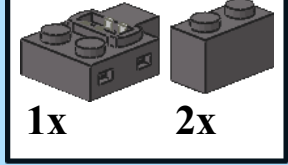


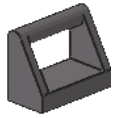




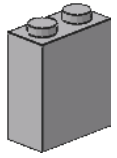




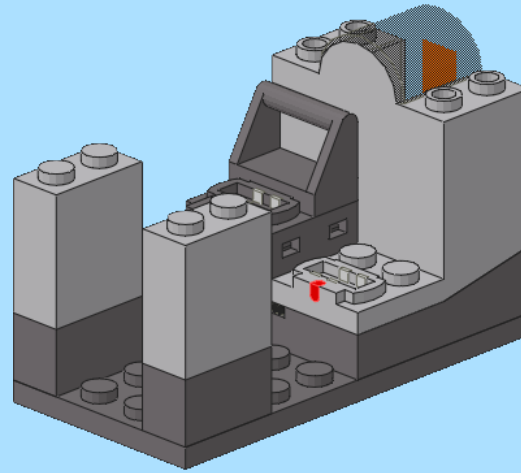


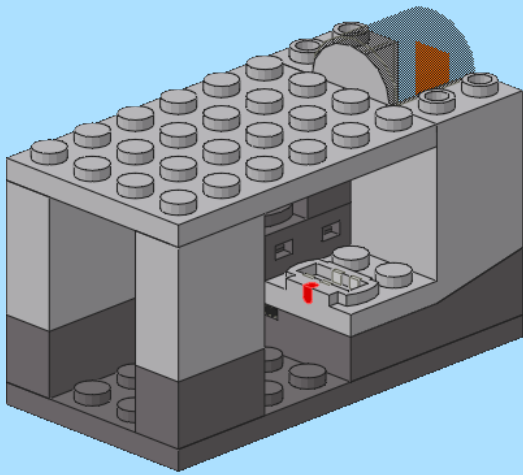
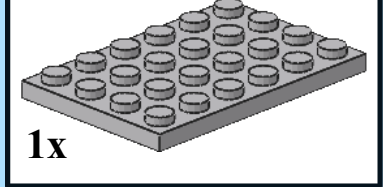


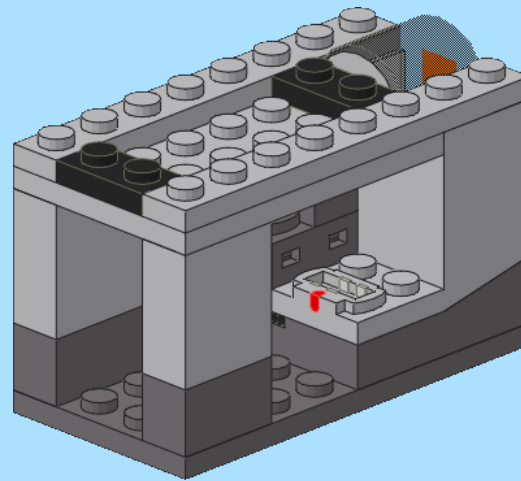
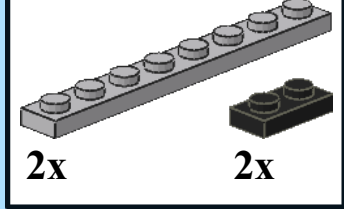
1x

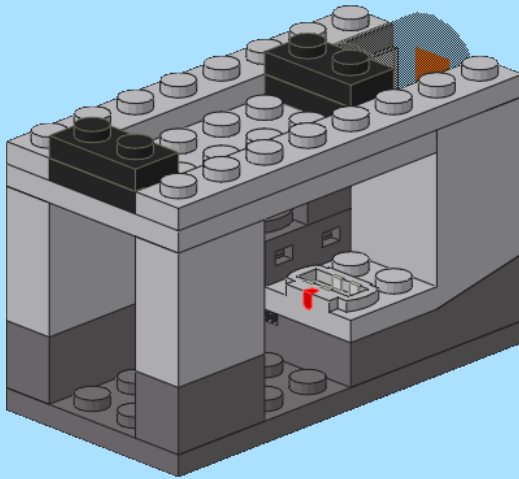
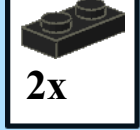


2x



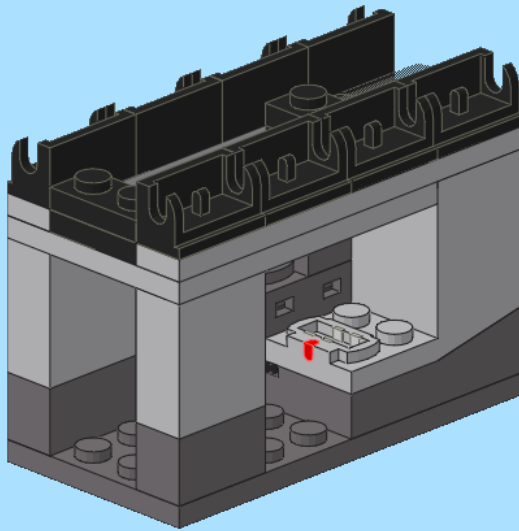


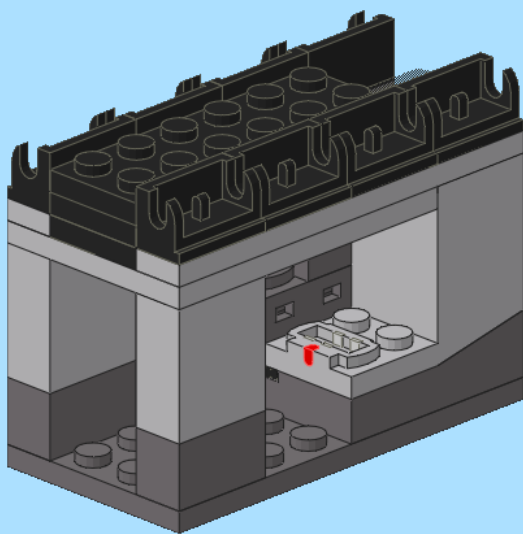
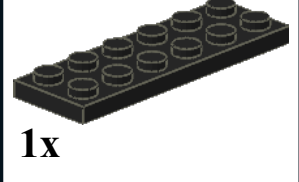


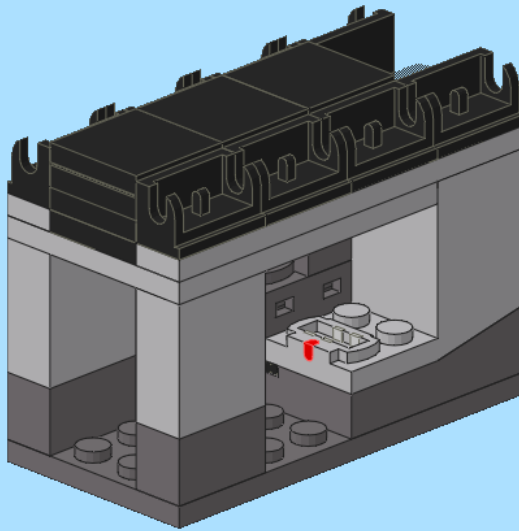
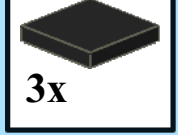


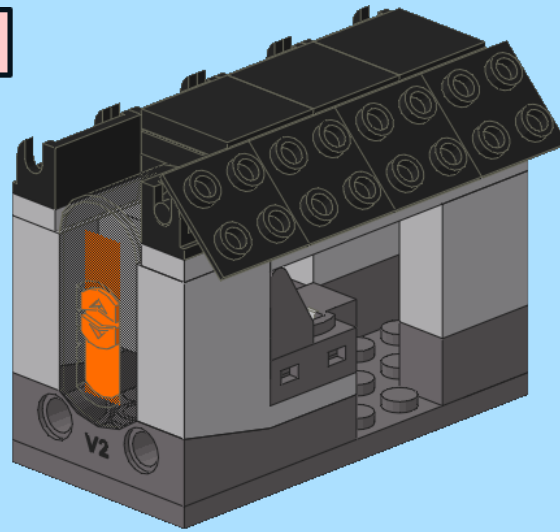


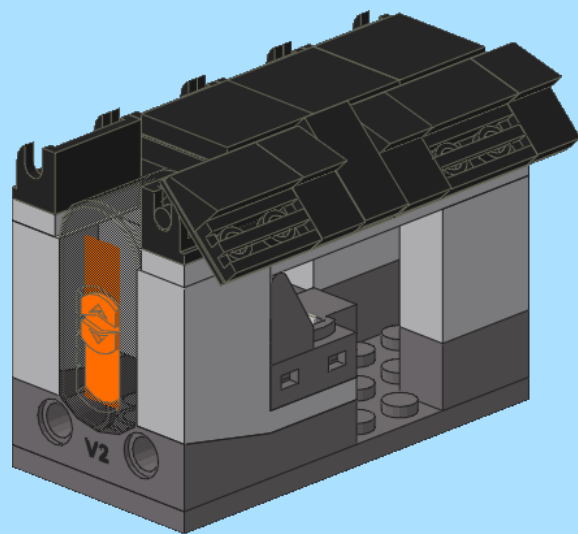
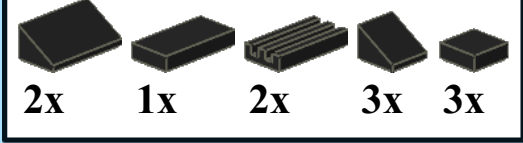
8x

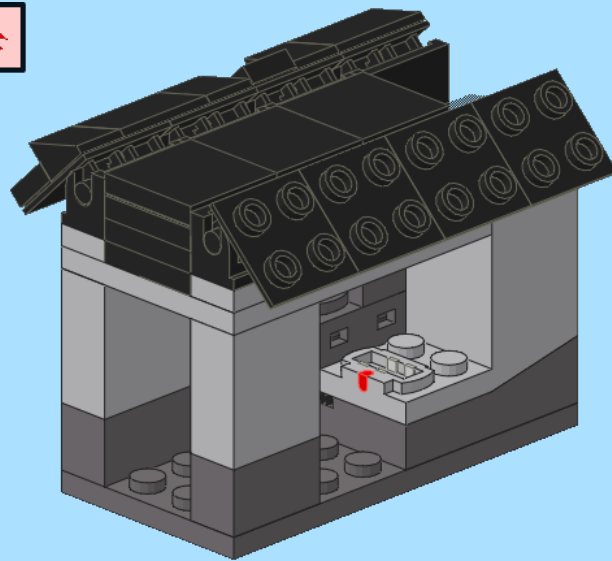


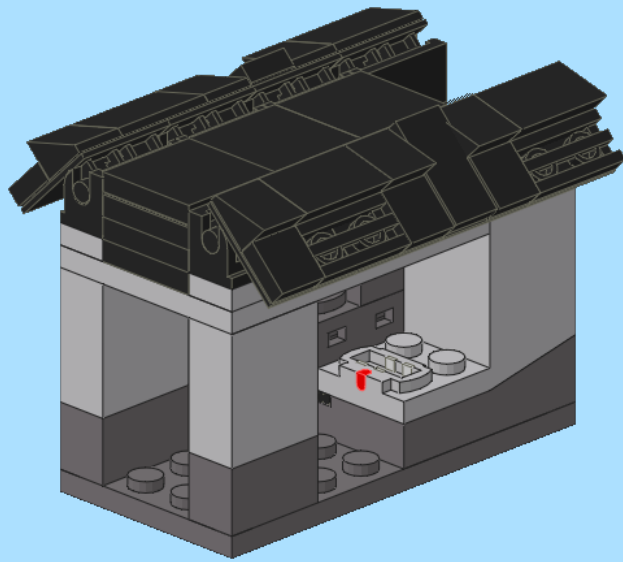
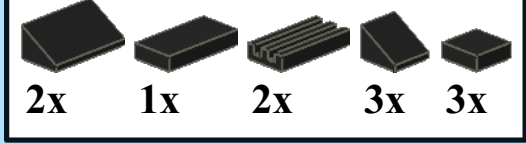


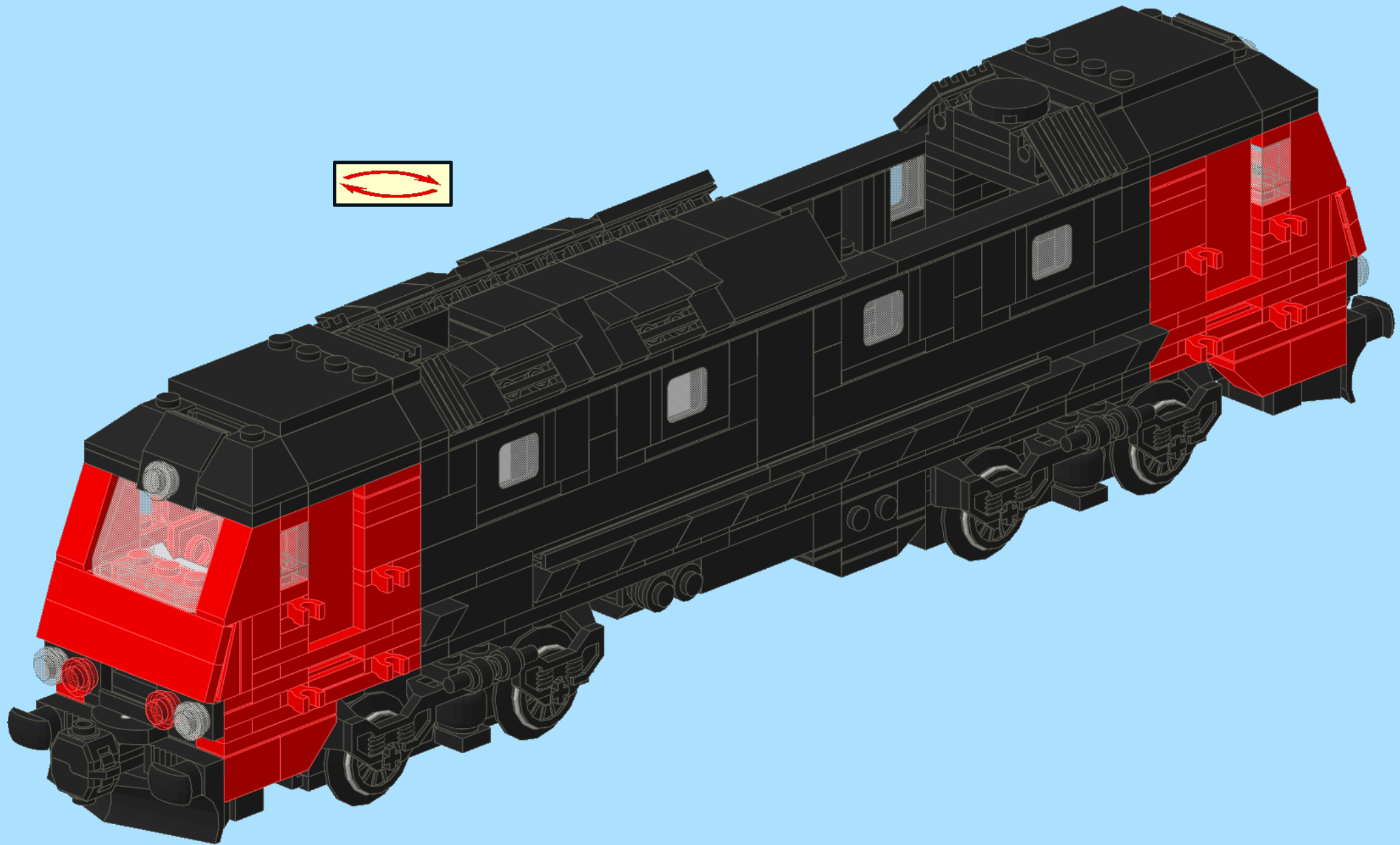


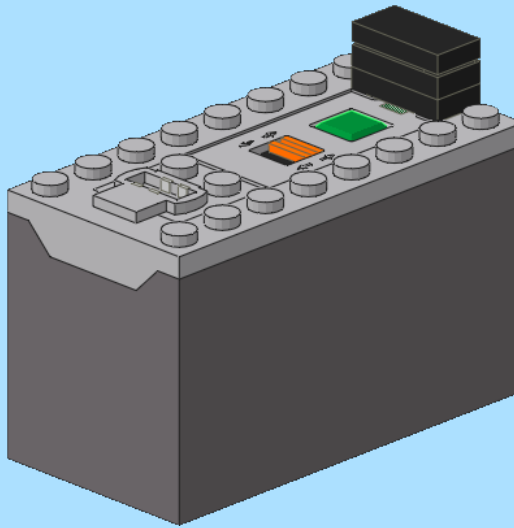
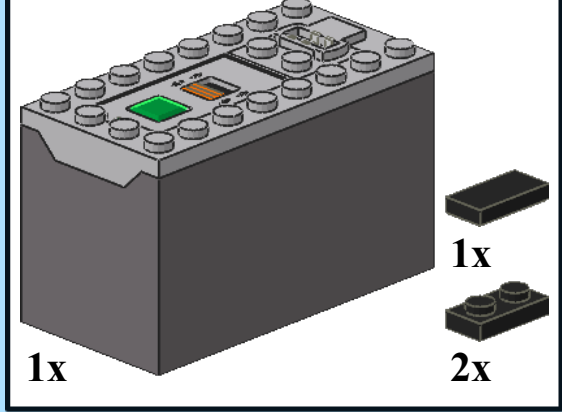


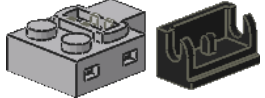






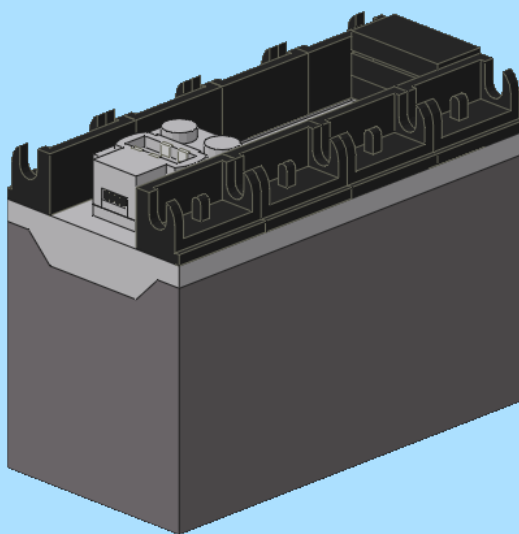


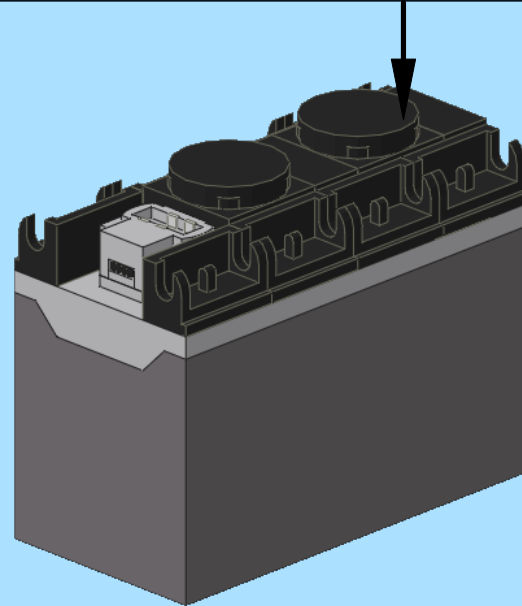
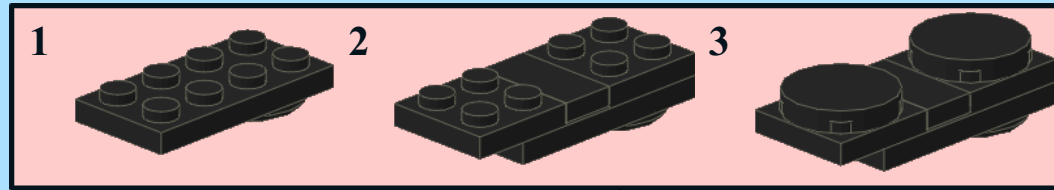
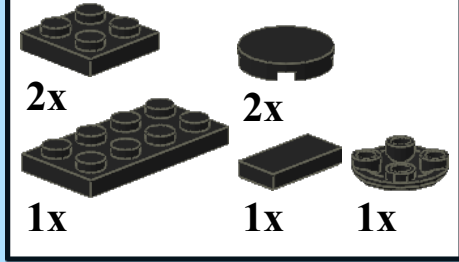


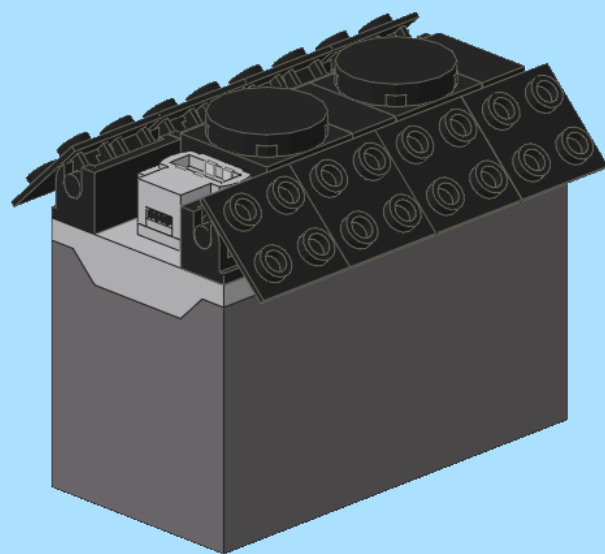


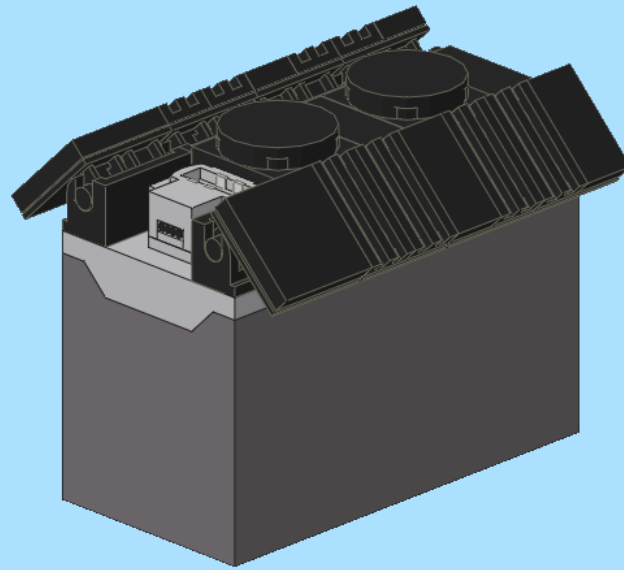
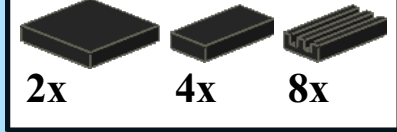
1x

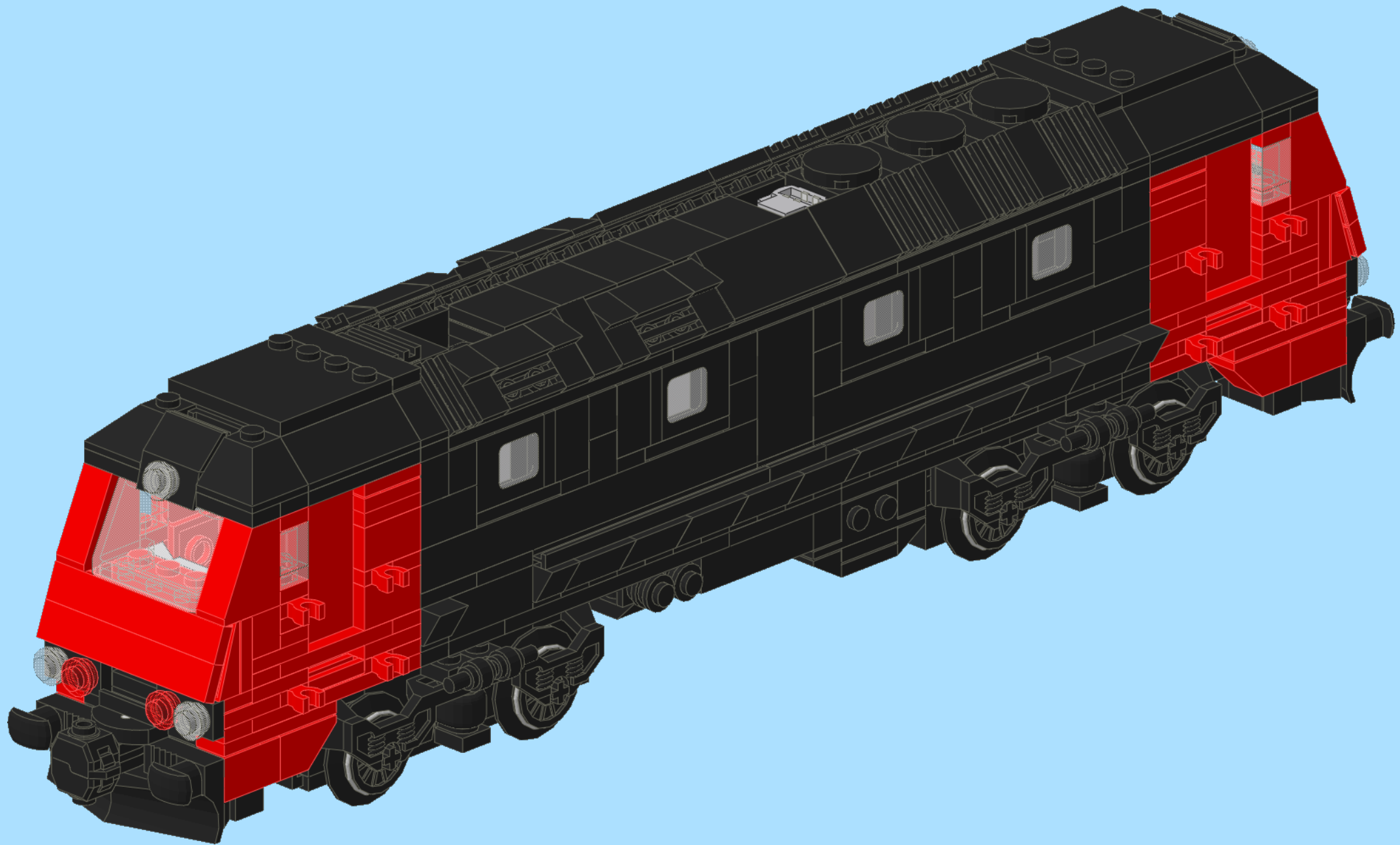
8x











4x



4x

