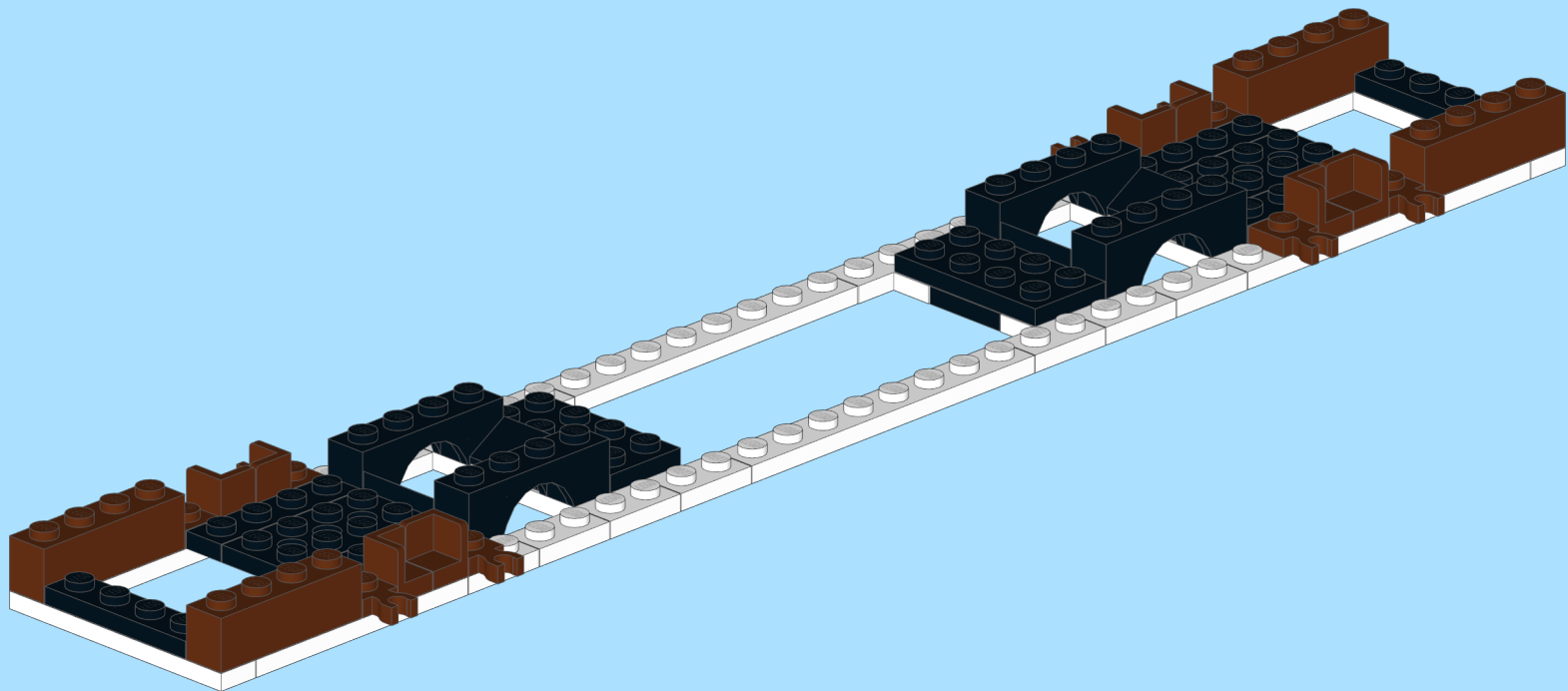
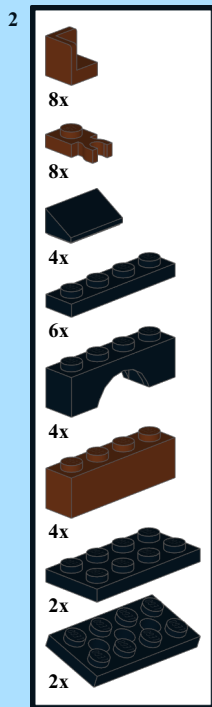
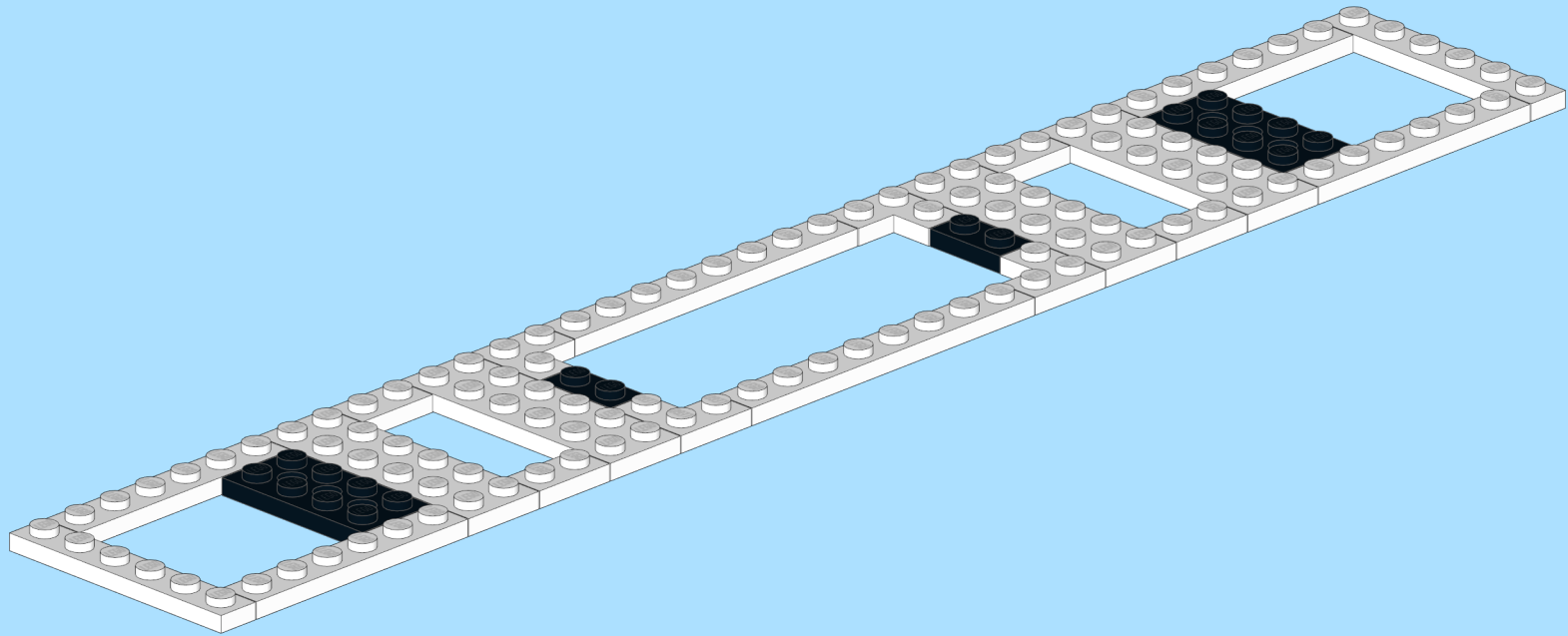
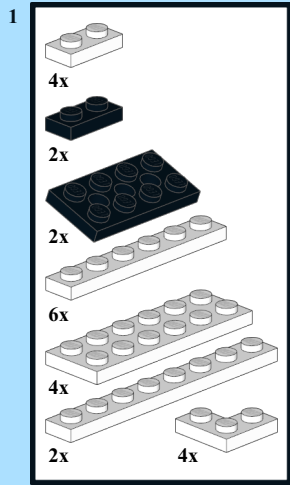


DSB Litra MZ (I)

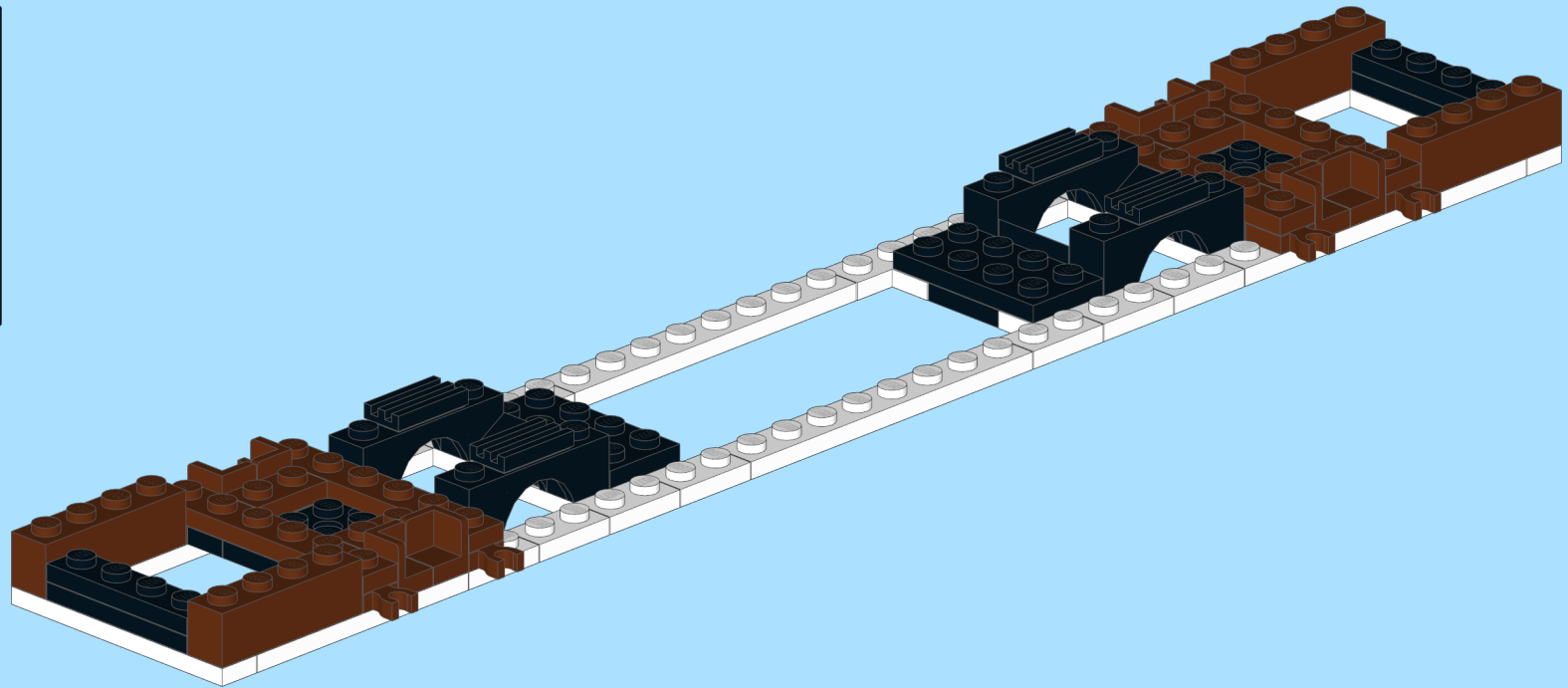
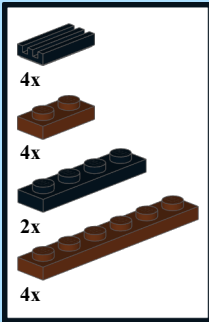


Design By Dennis Tomsen
At www.byggepladen.dk
Updated 2017-10-05

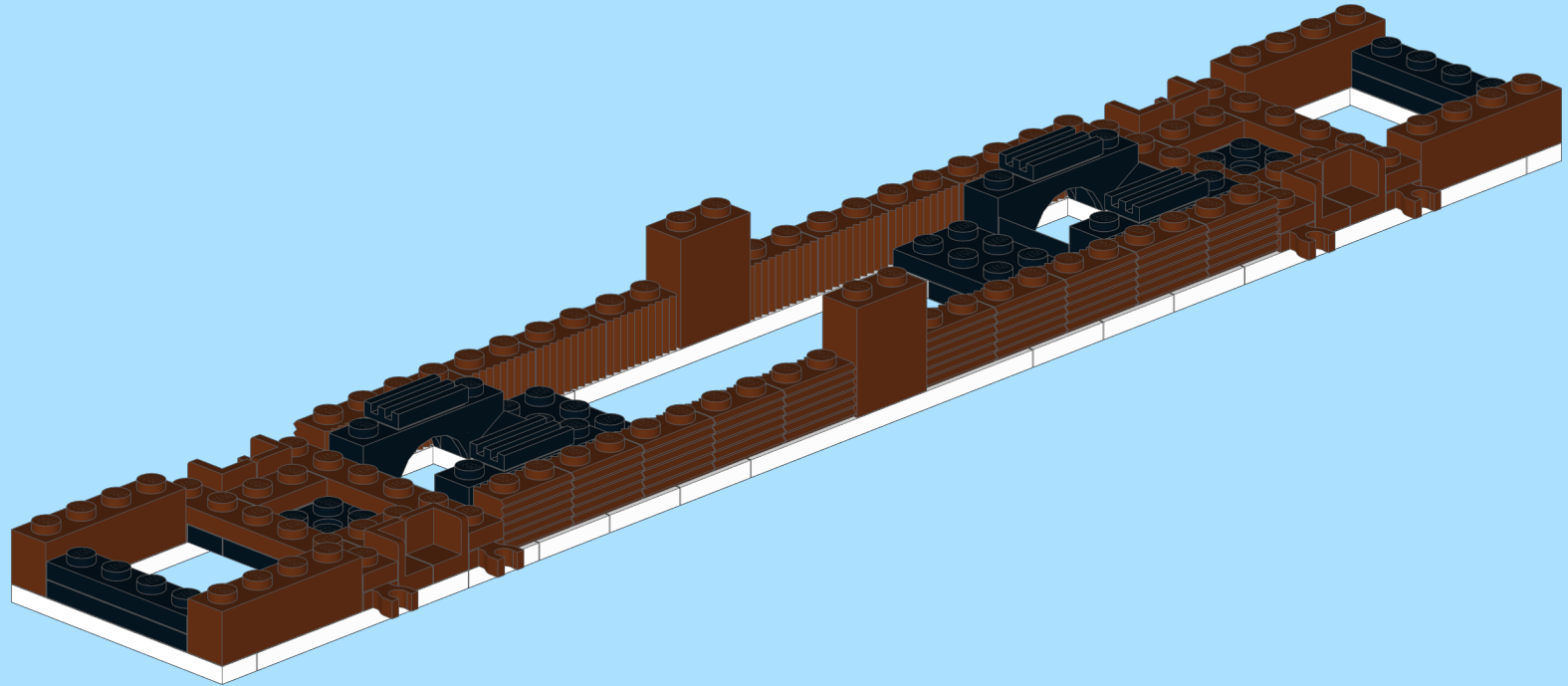
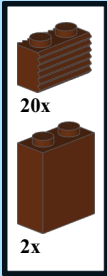
INSTRUCTION BY
KNUD ALBRECHTSEN
www.snakebyte.dk/lego

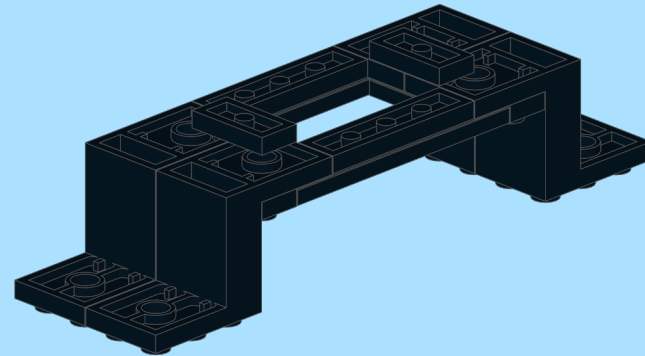
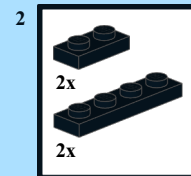
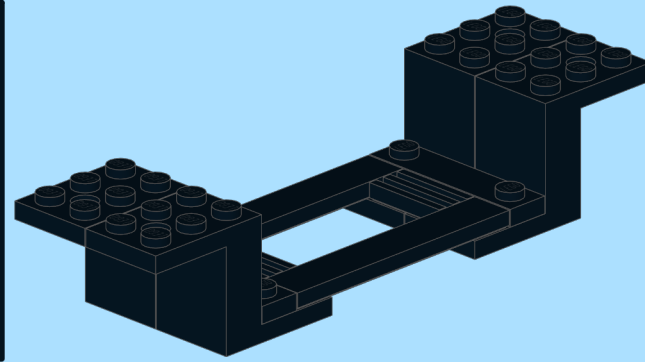
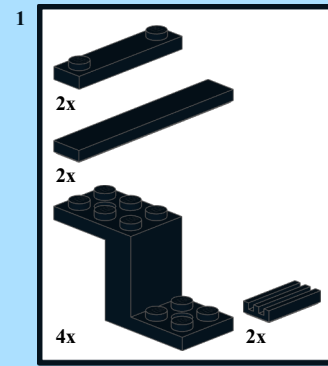


3

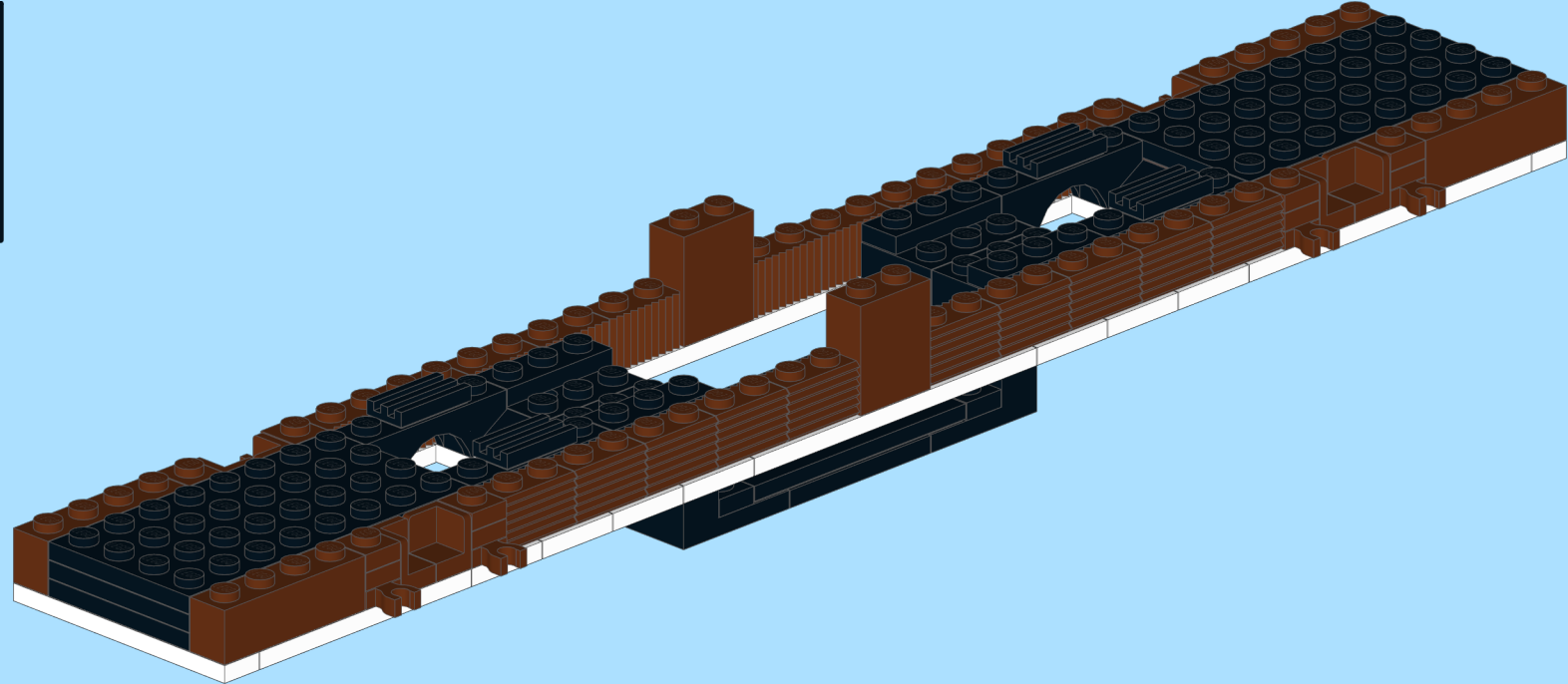
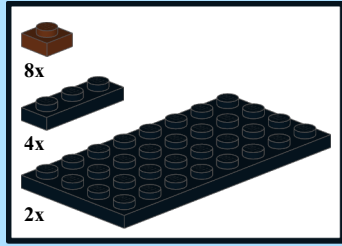


4

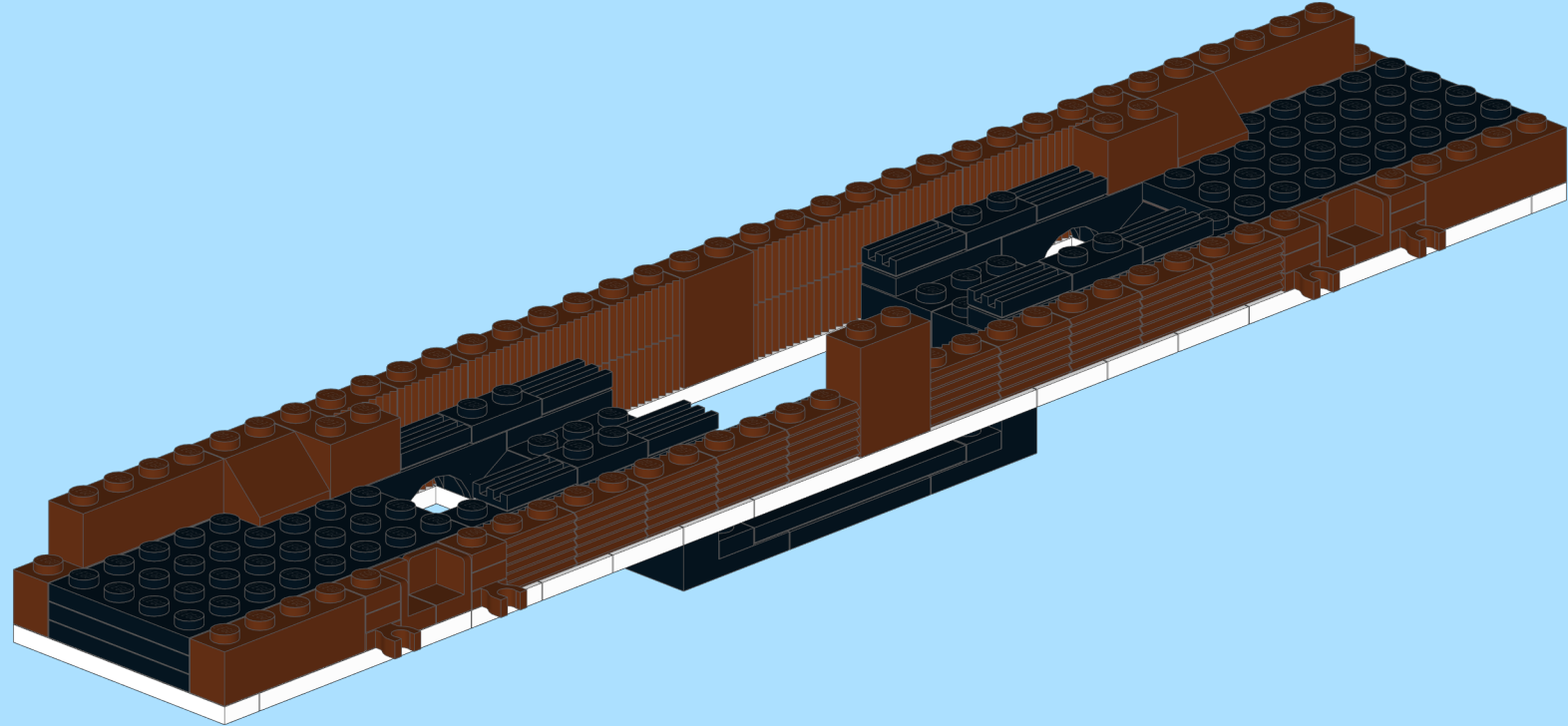
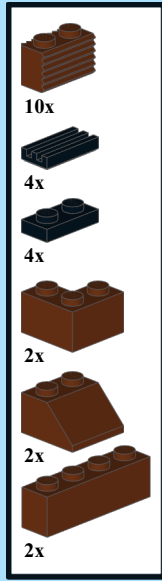




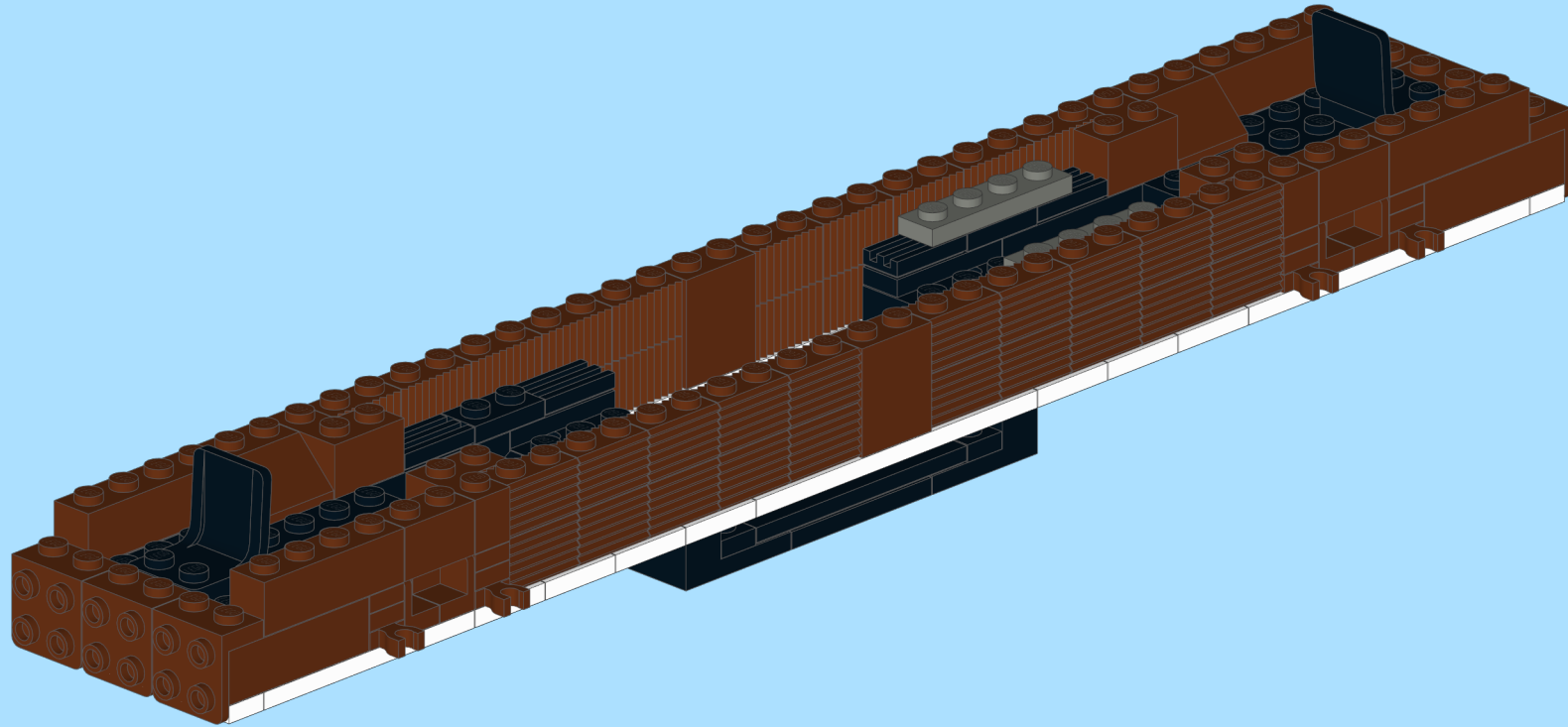
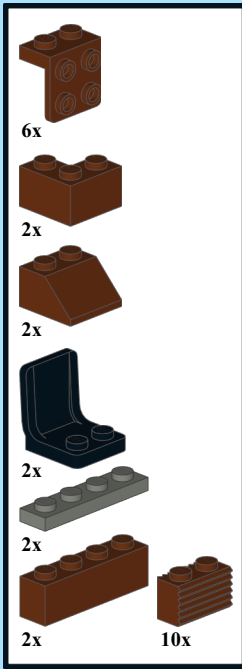
5



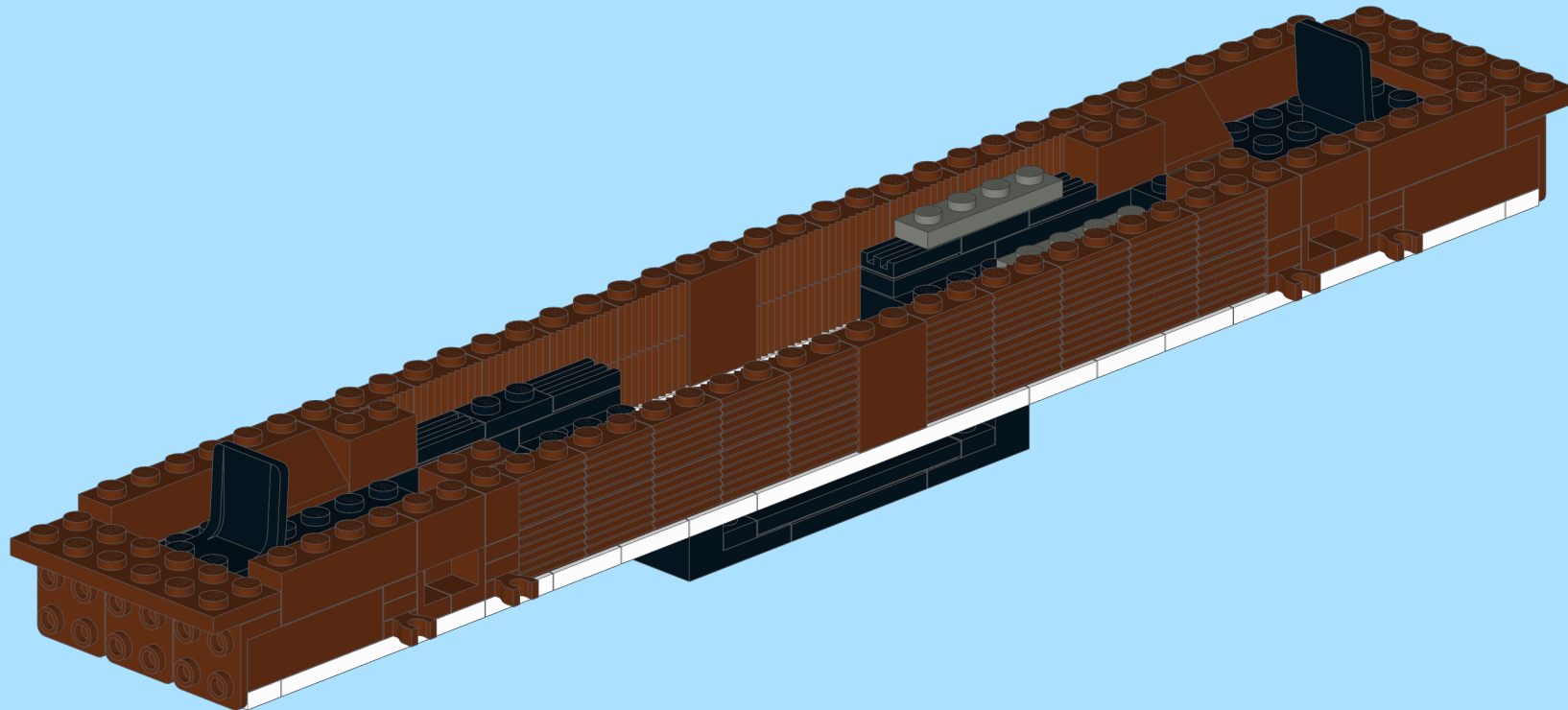
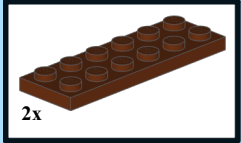
6



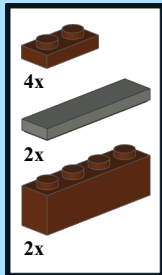
7



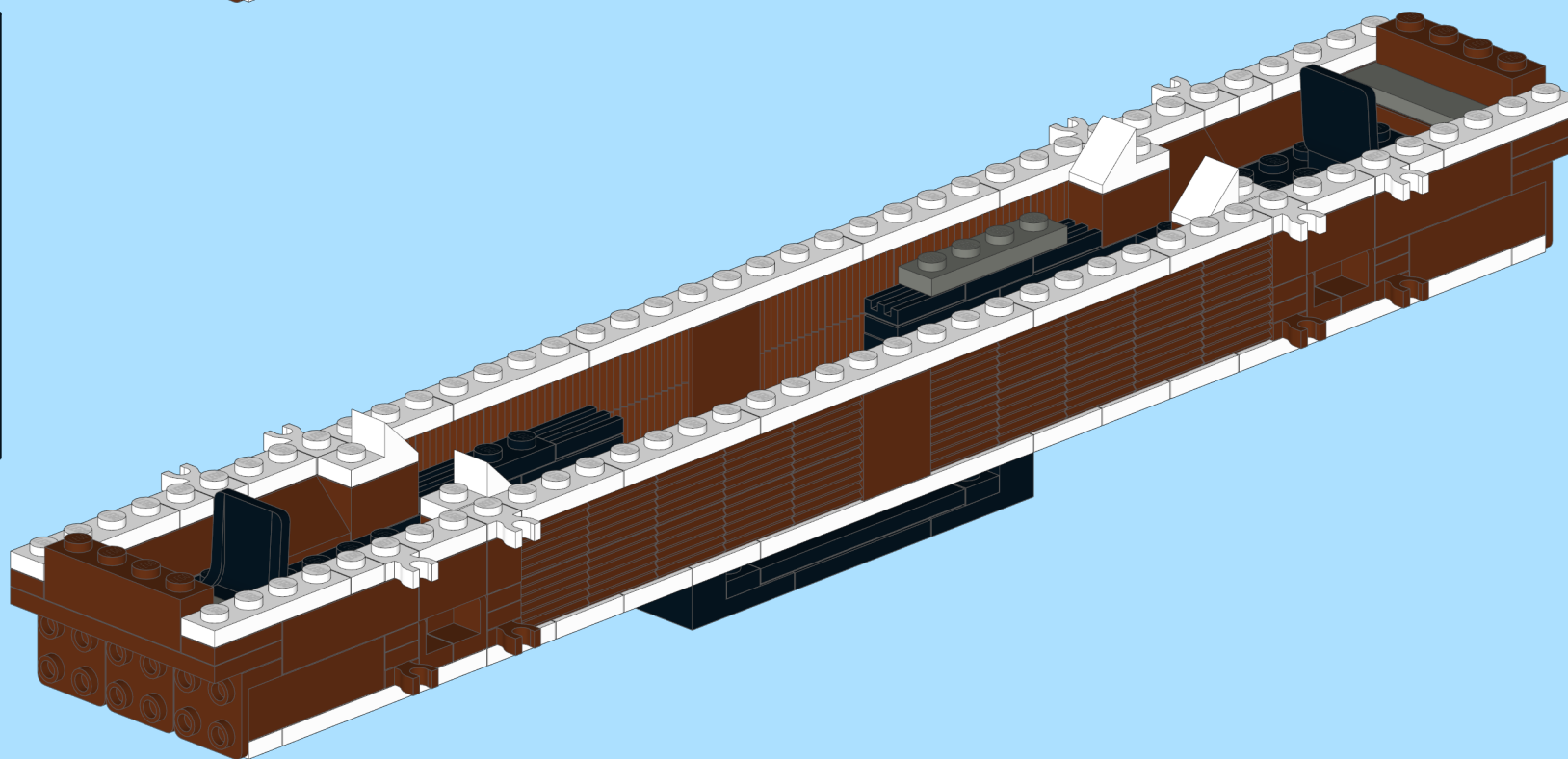
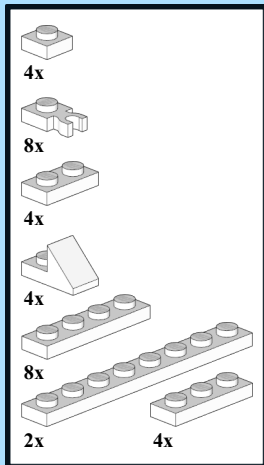
8



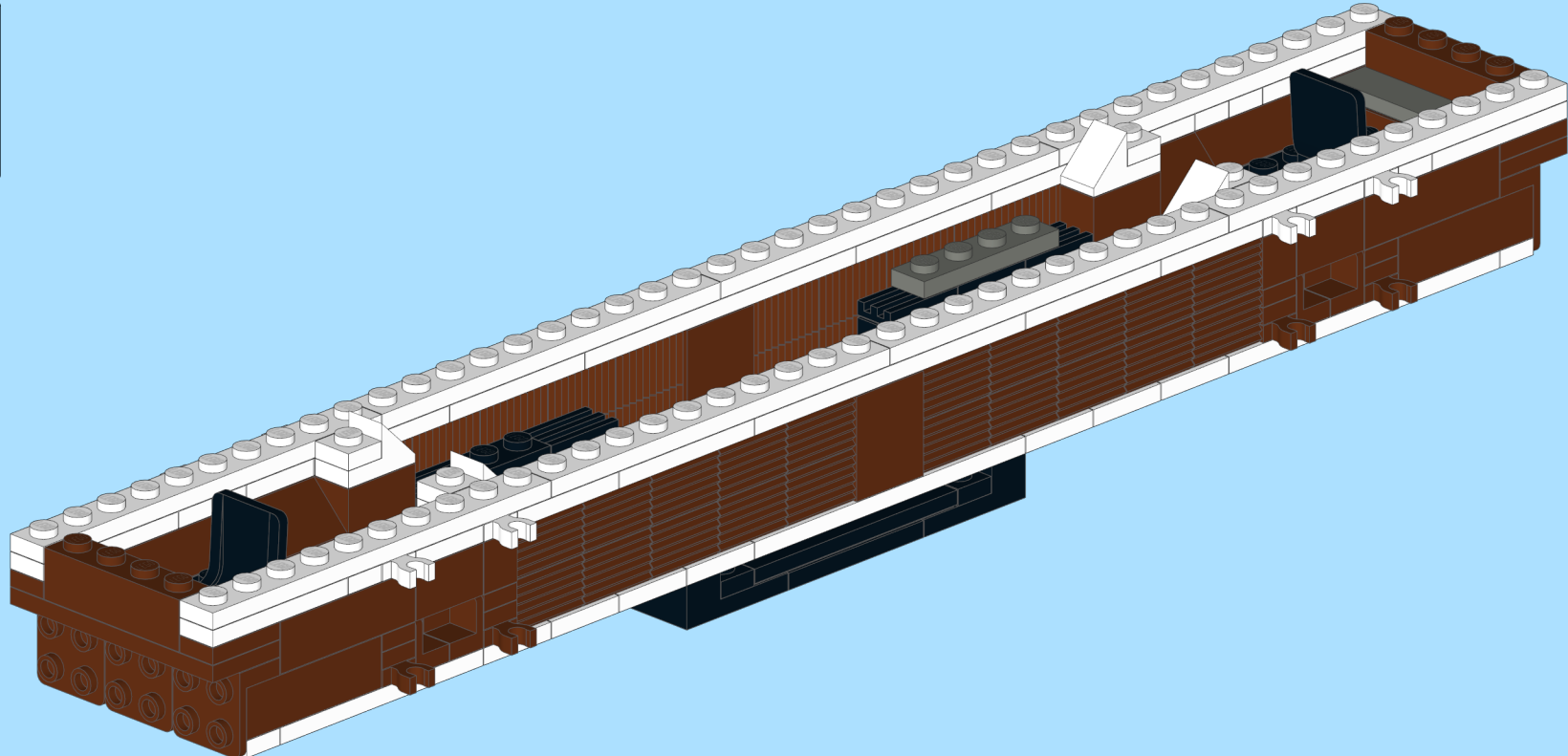
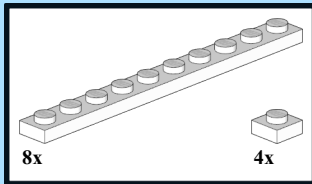
9



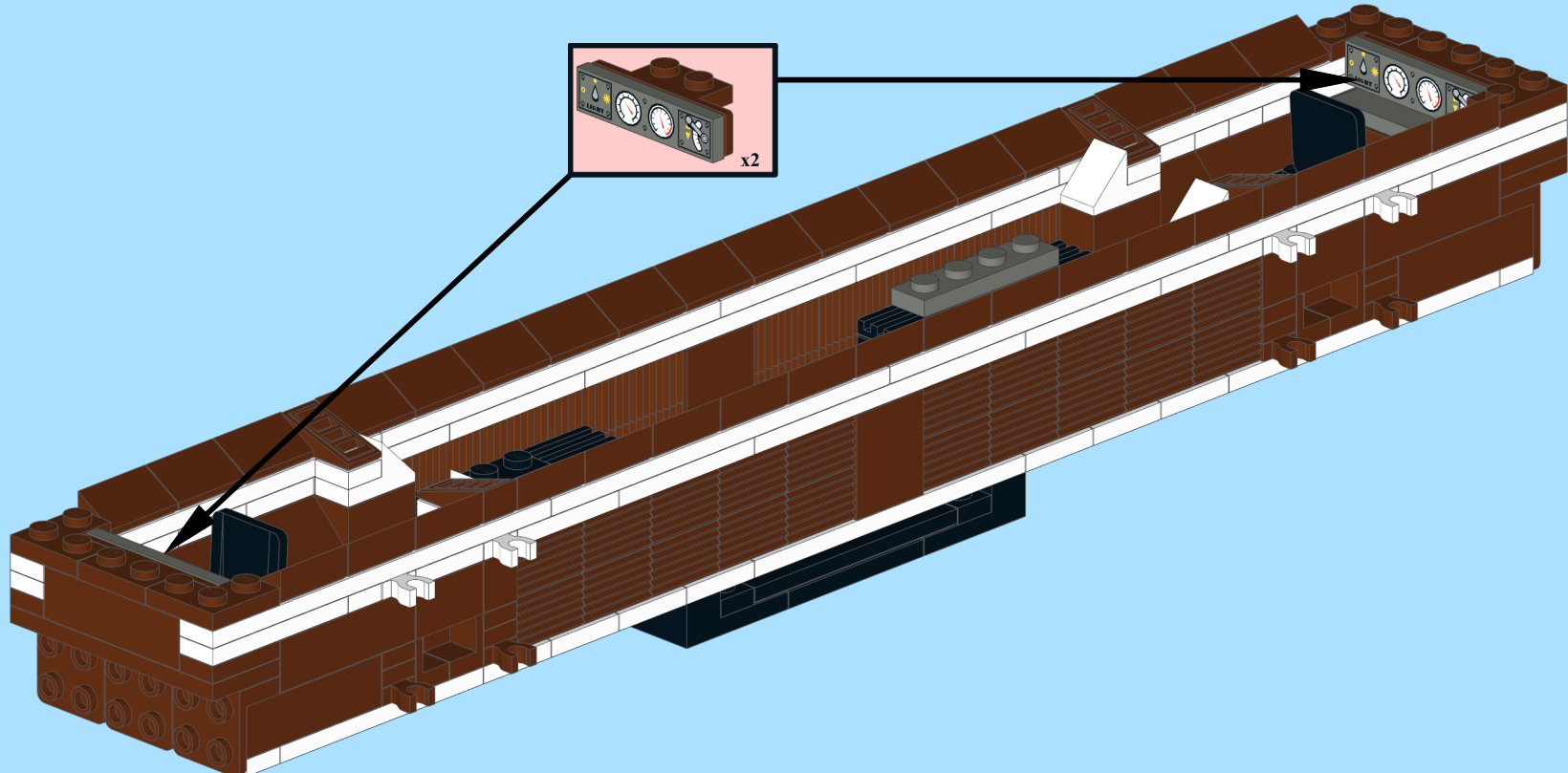
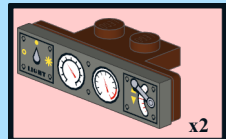
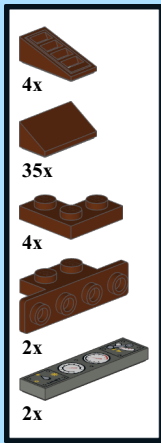
10

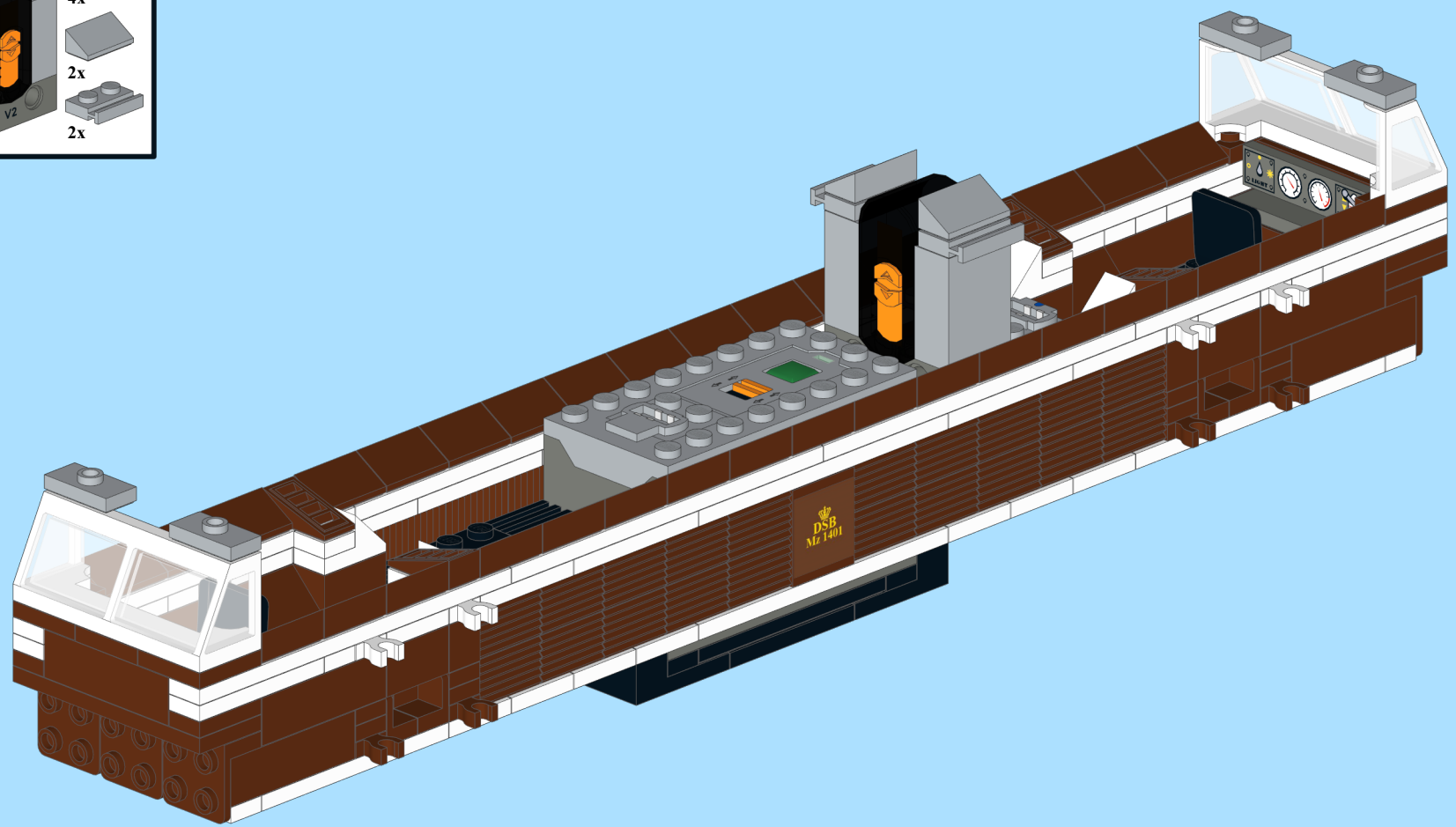
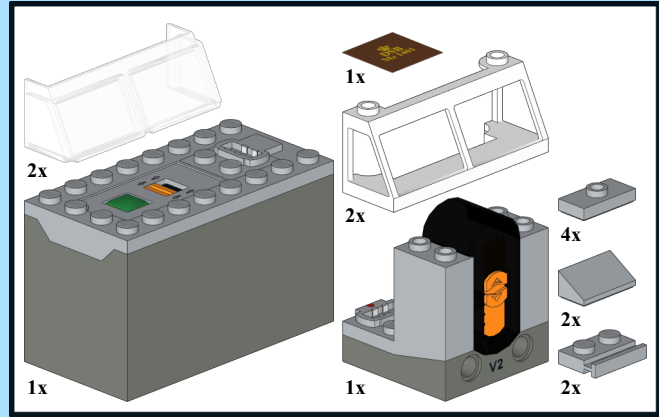


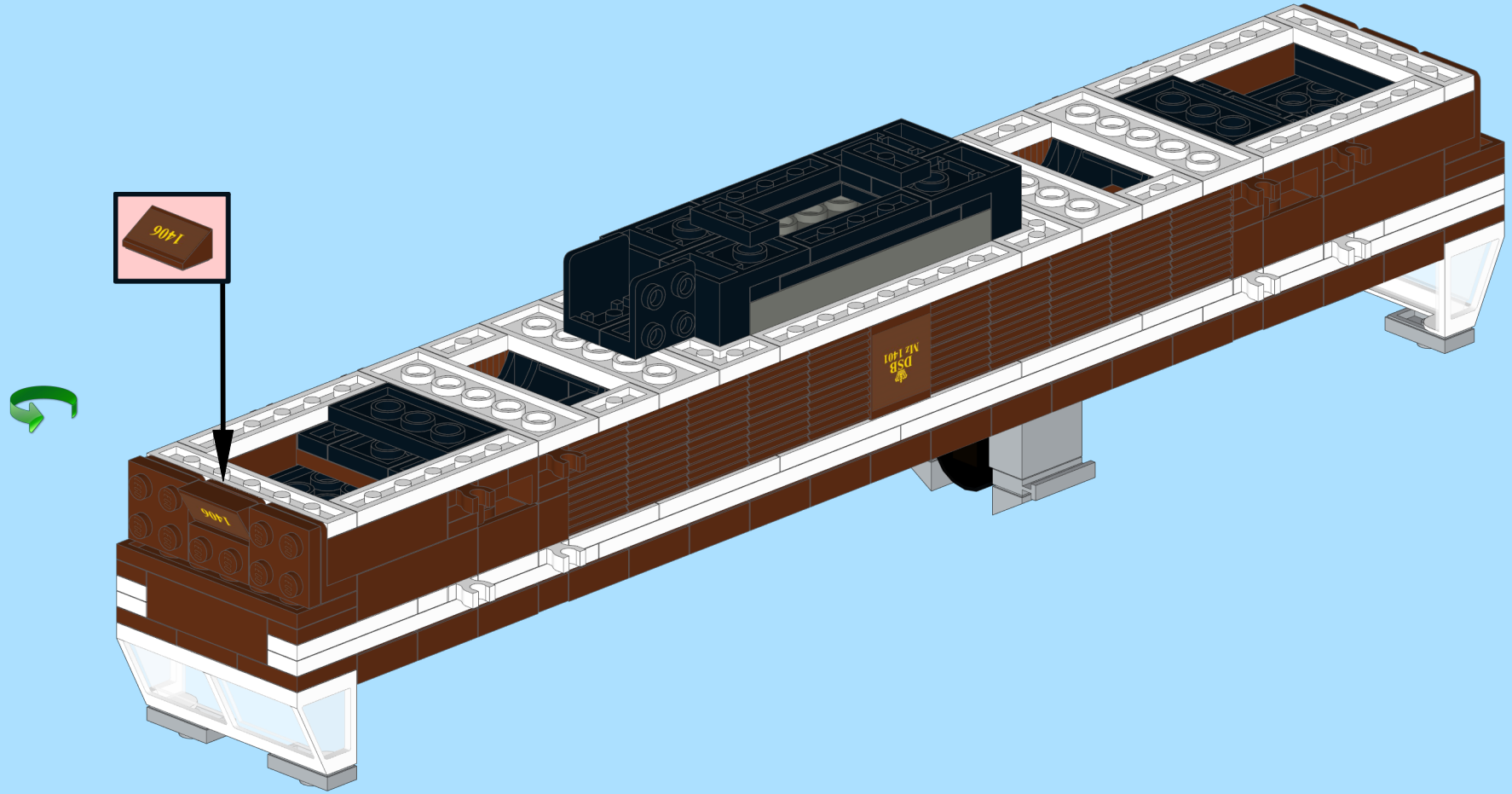
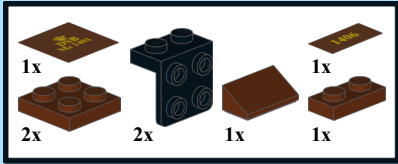
11

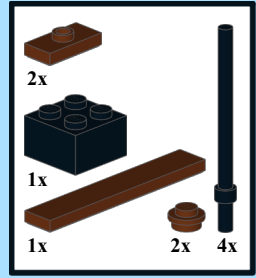


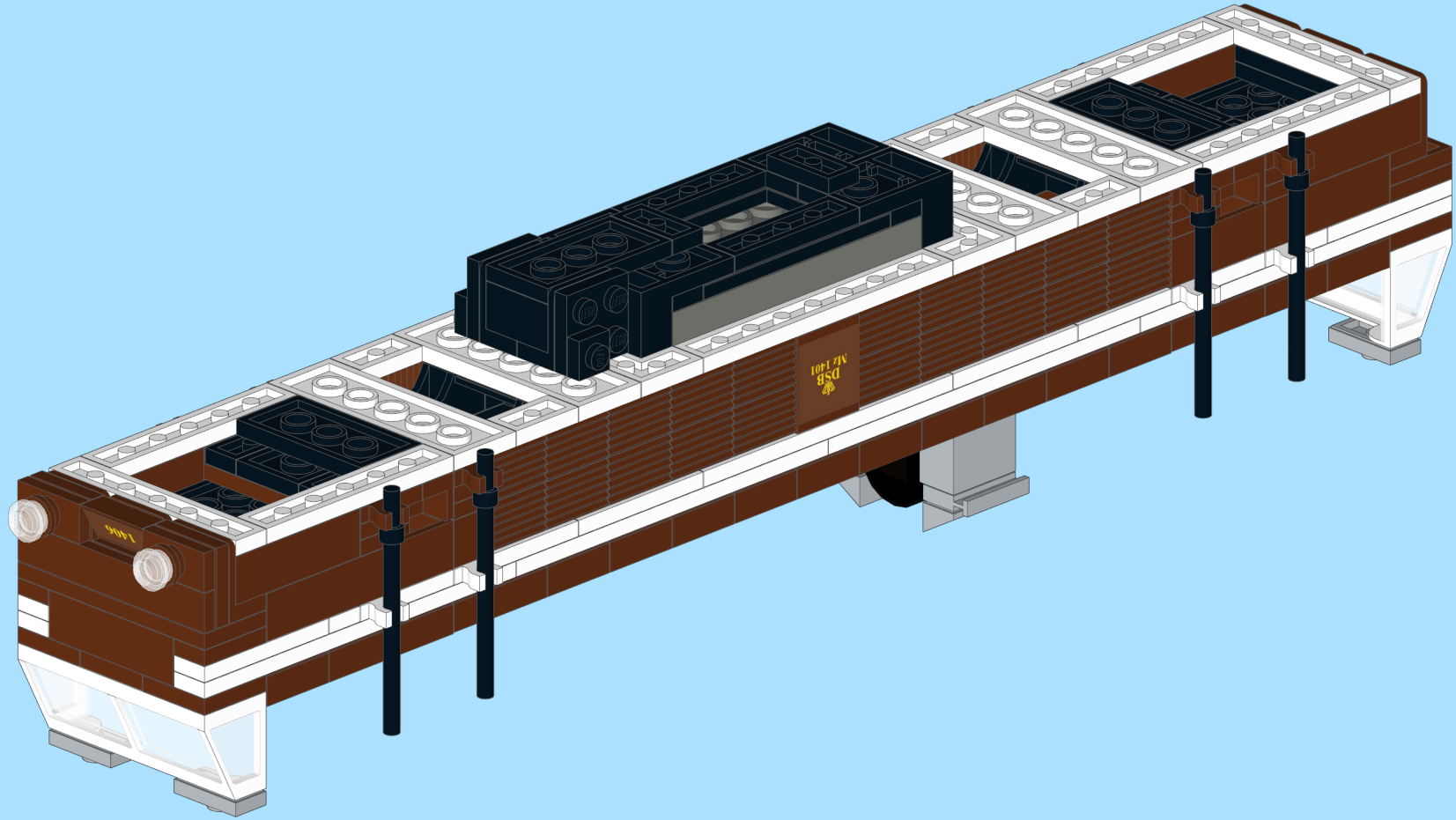
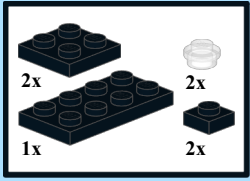
12

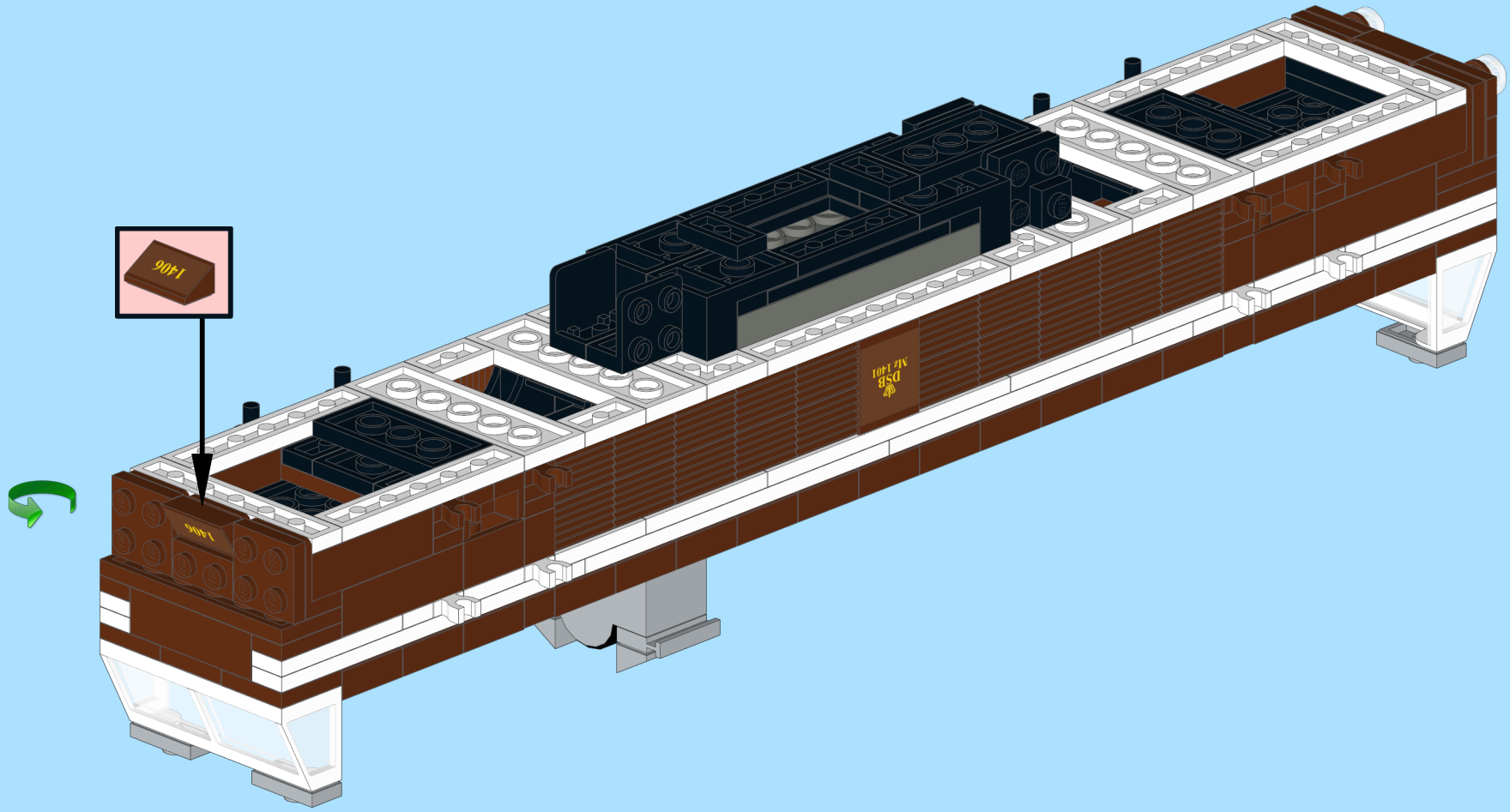
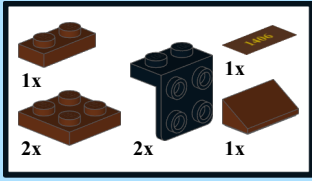


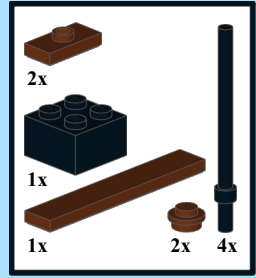


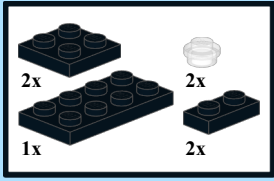


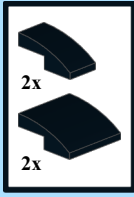


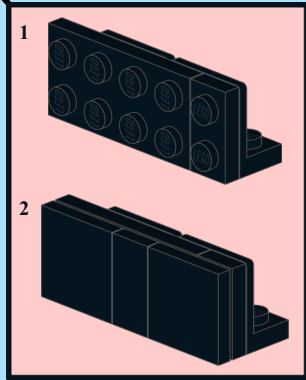
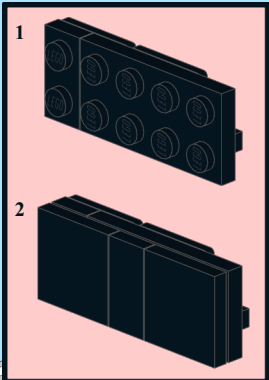
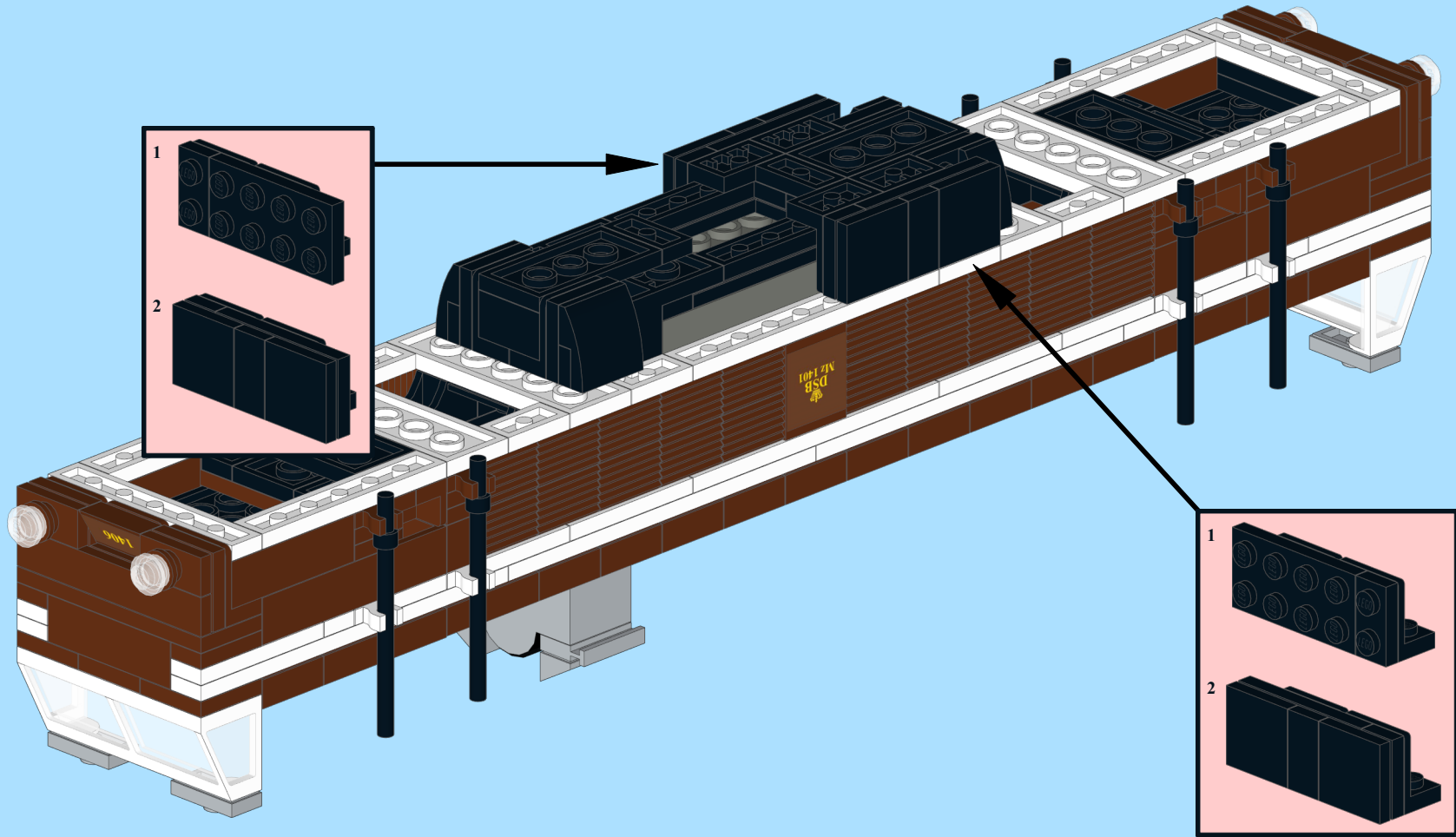
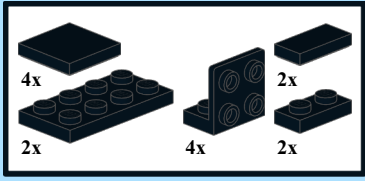


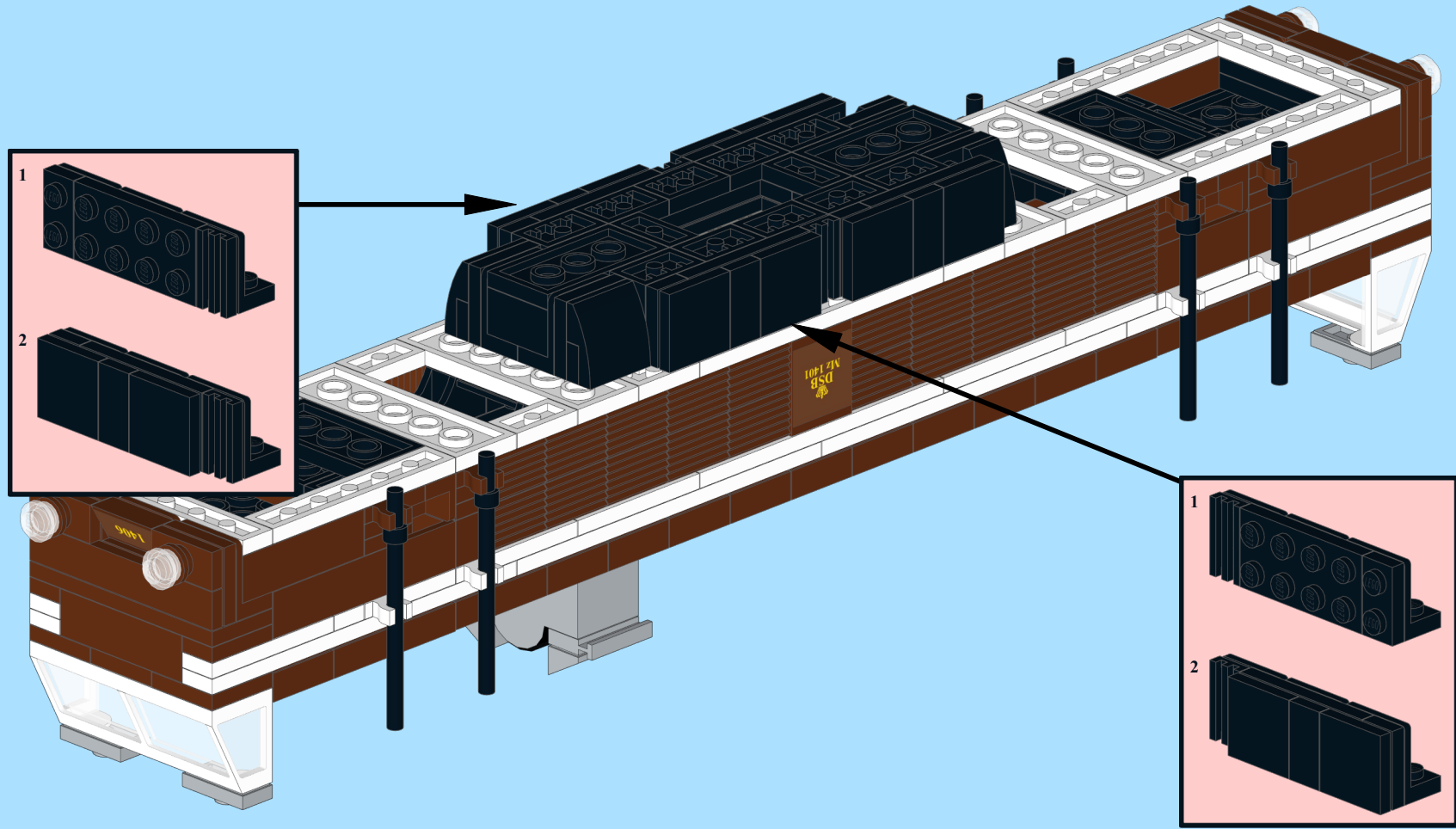
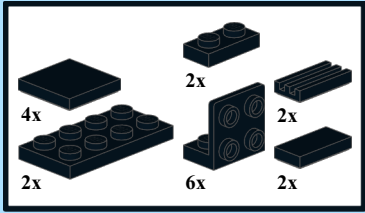


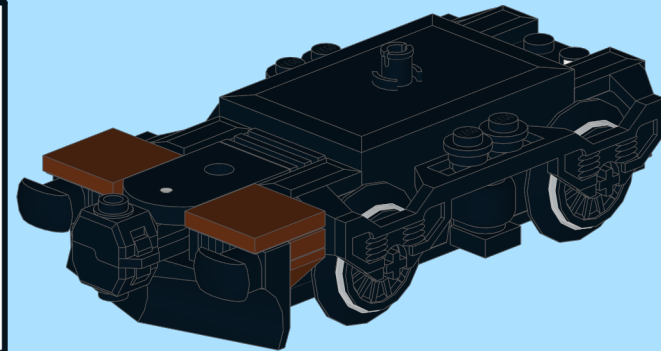
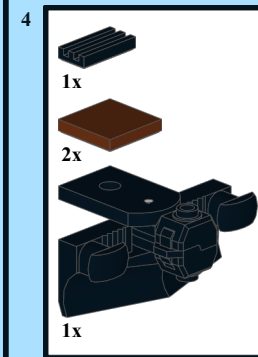
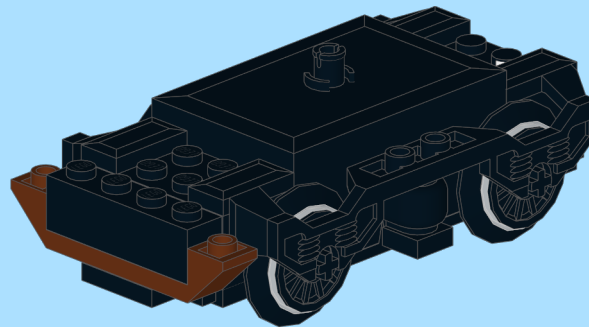
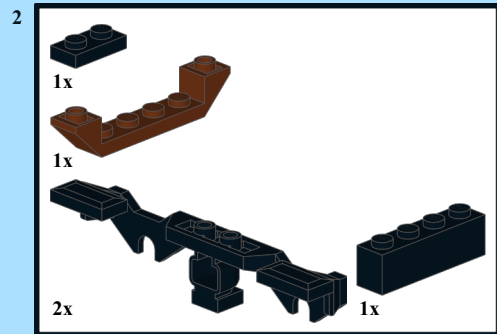
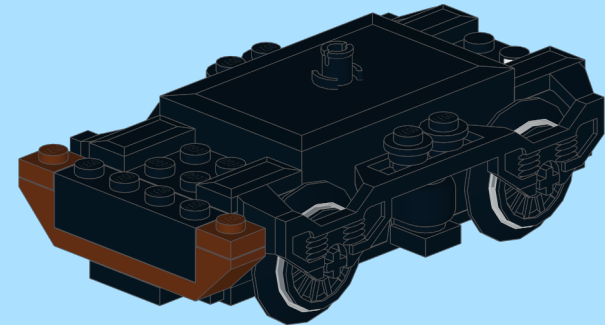
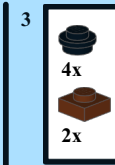
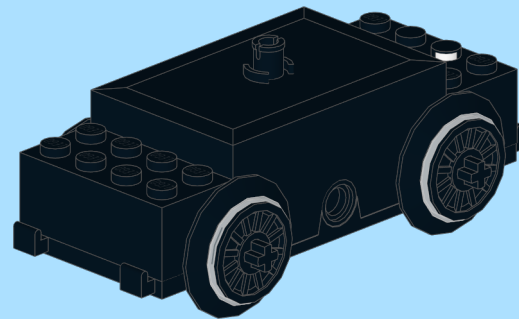
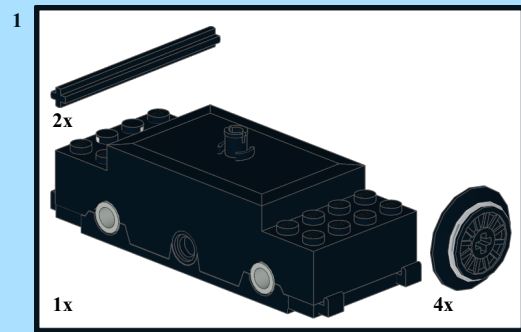


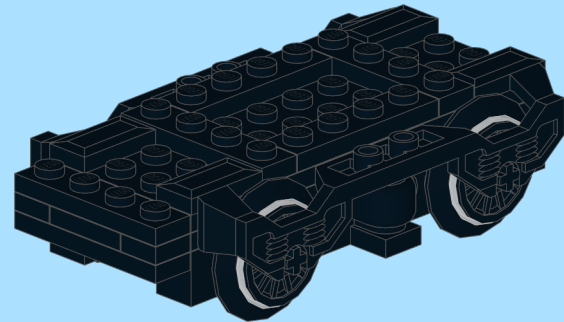
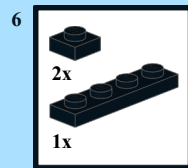
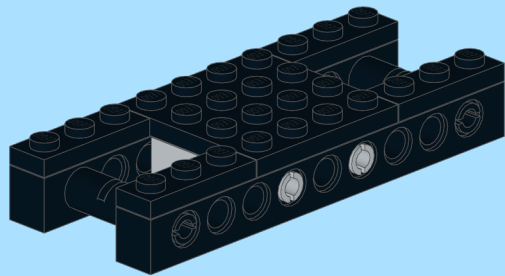
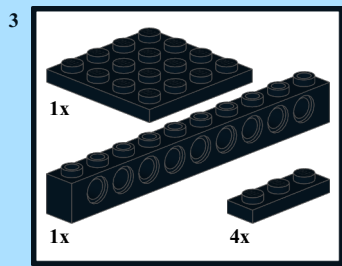
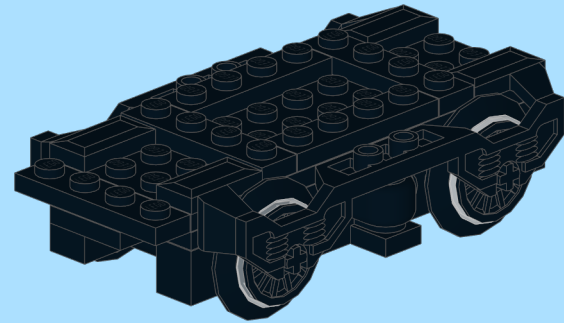
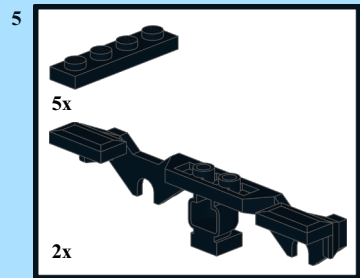
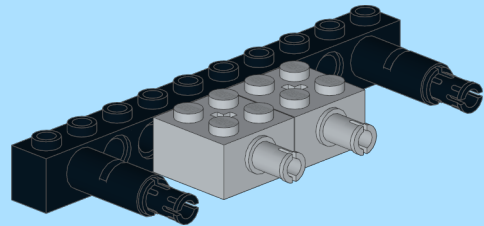
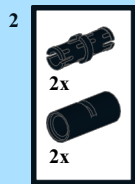
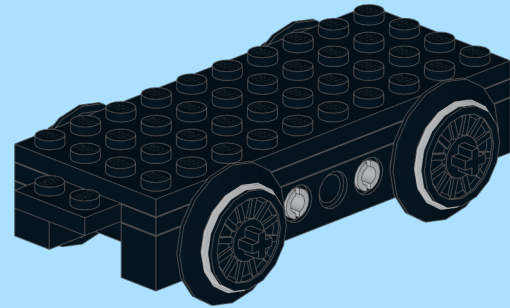
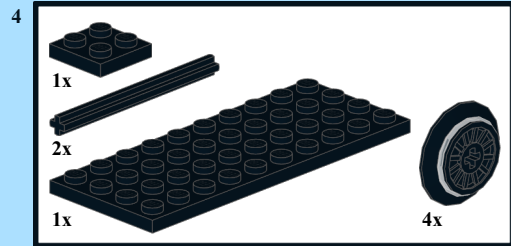
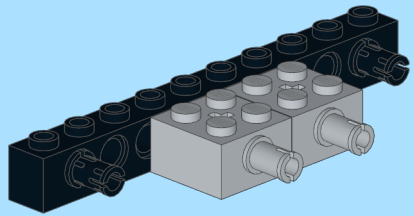
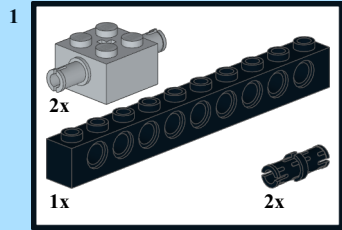


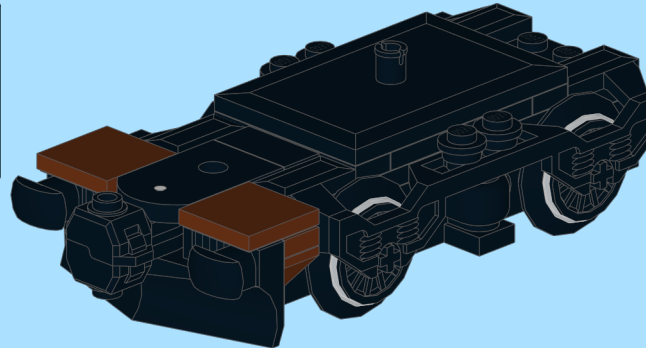
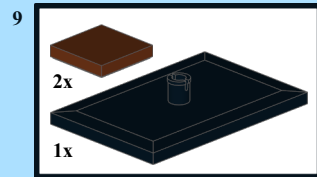
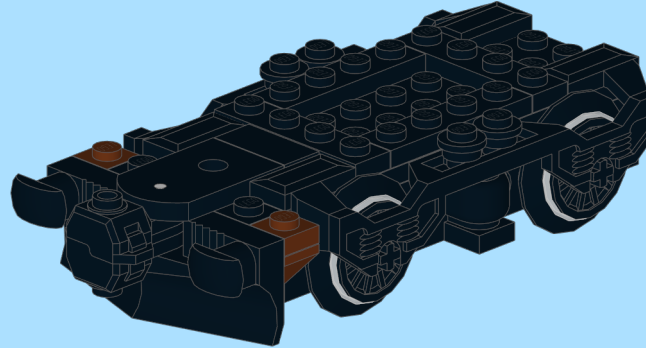
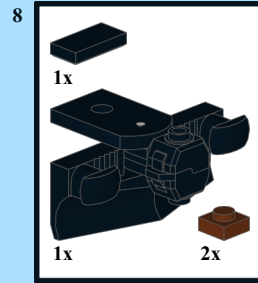
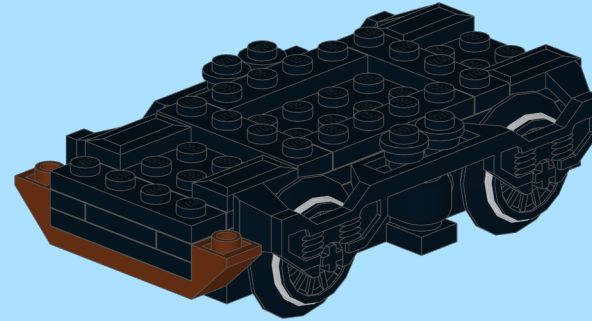
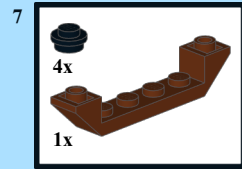




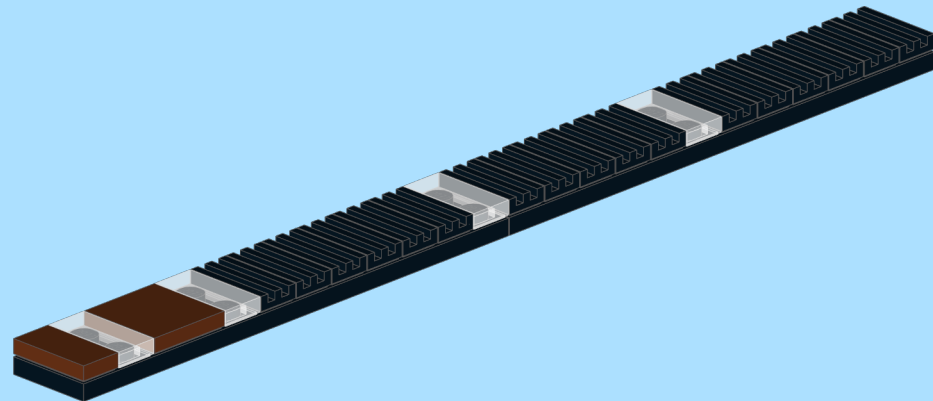
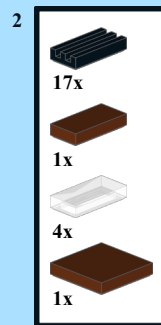
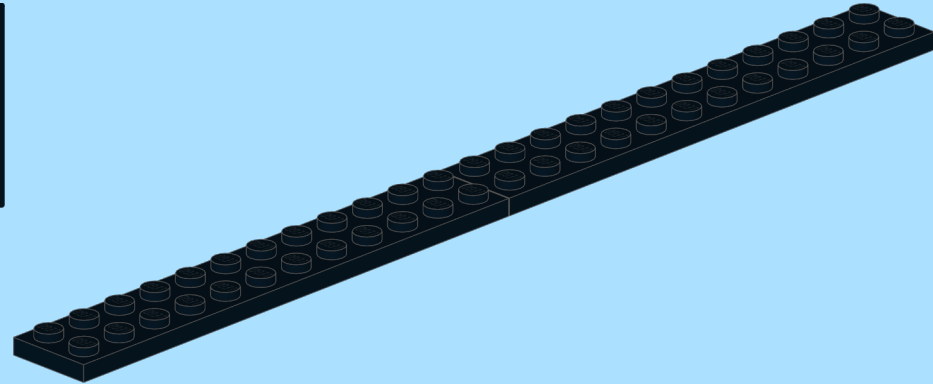
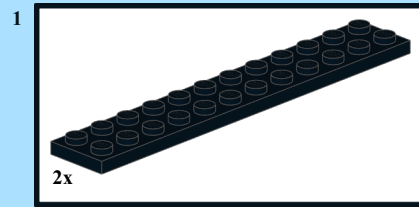


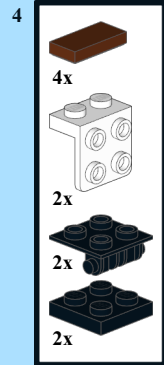
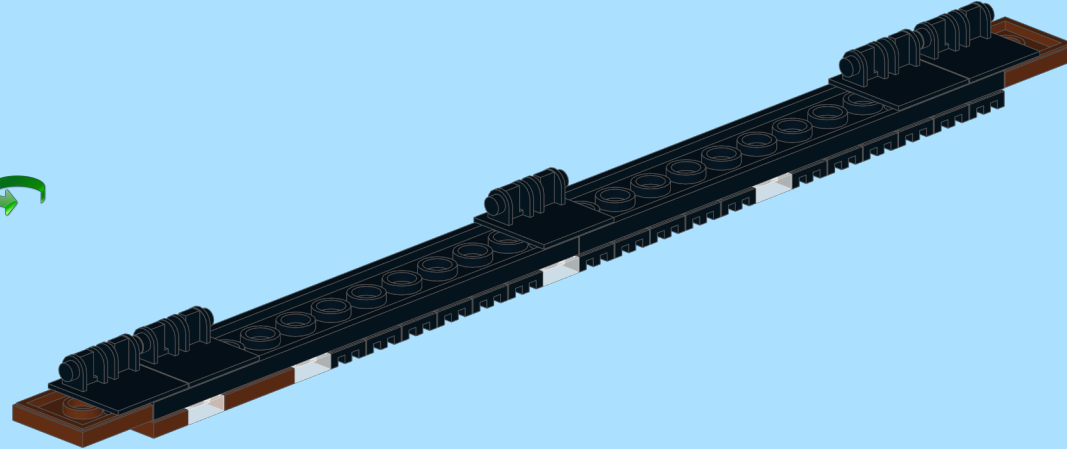
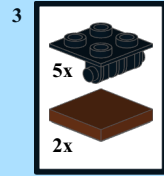




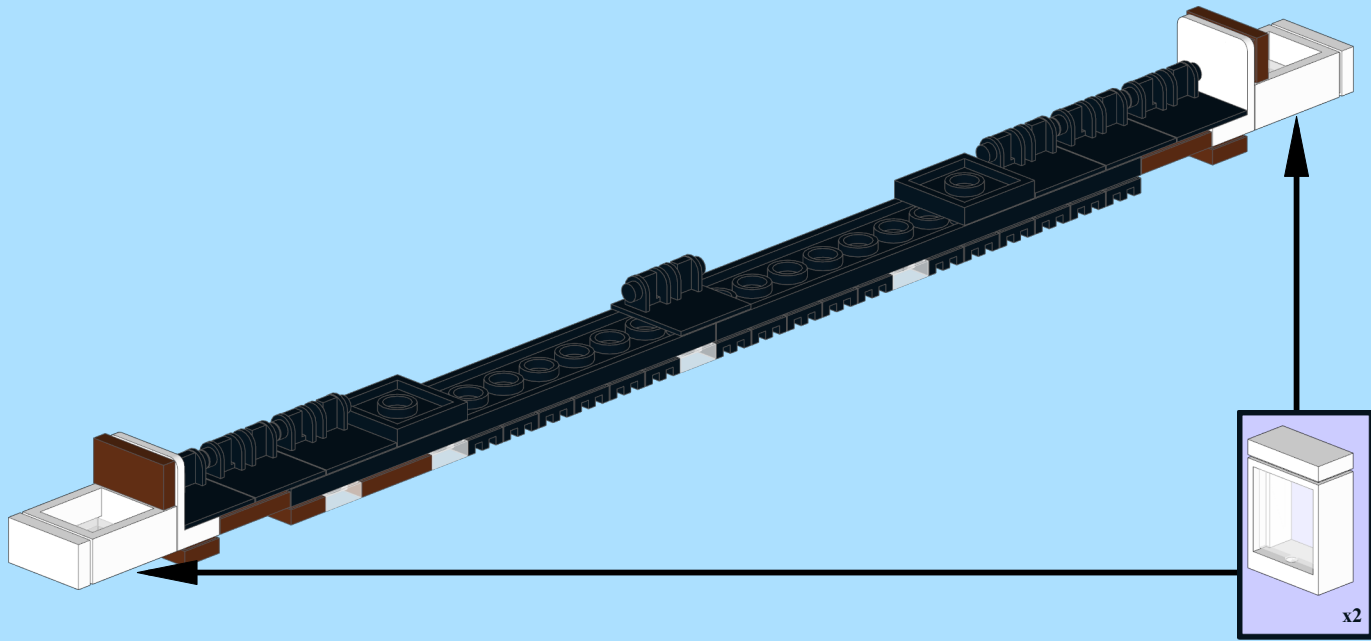
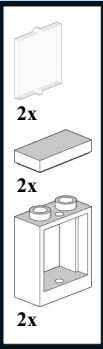




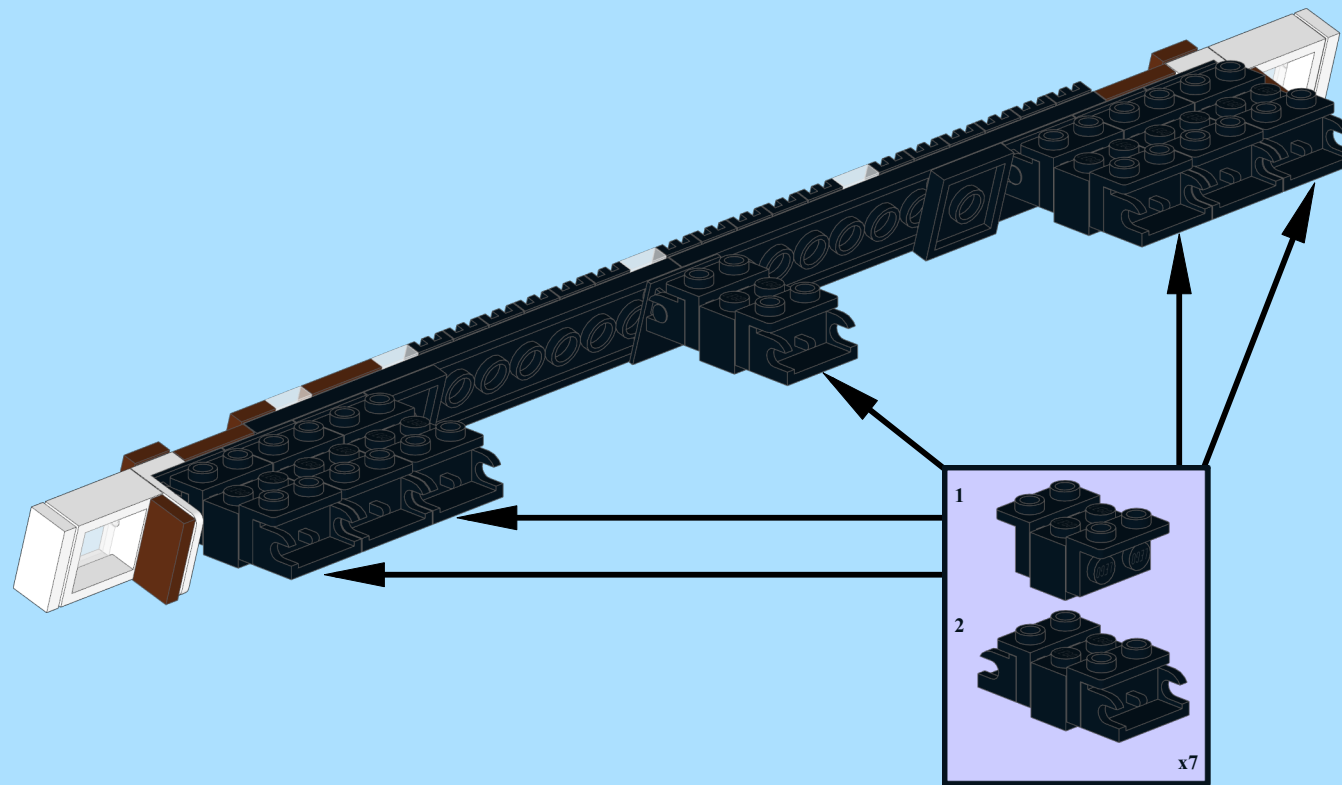


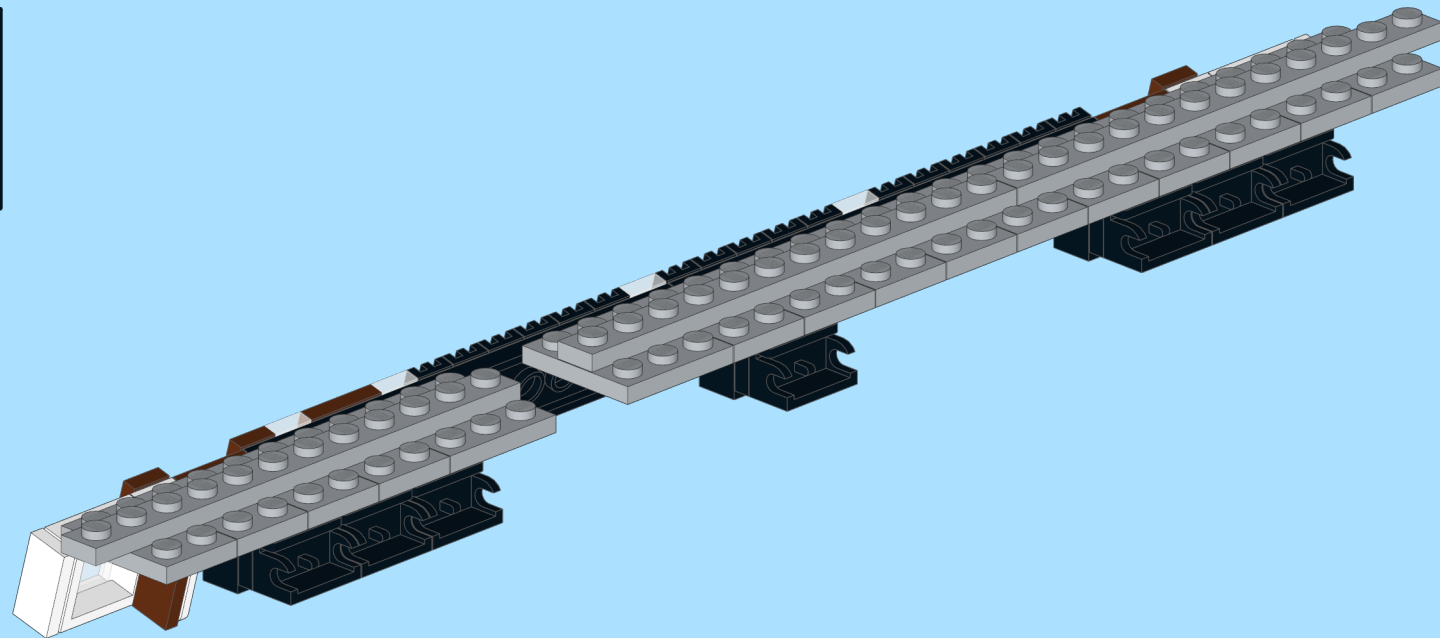
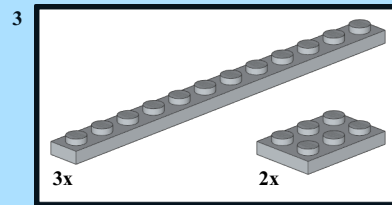
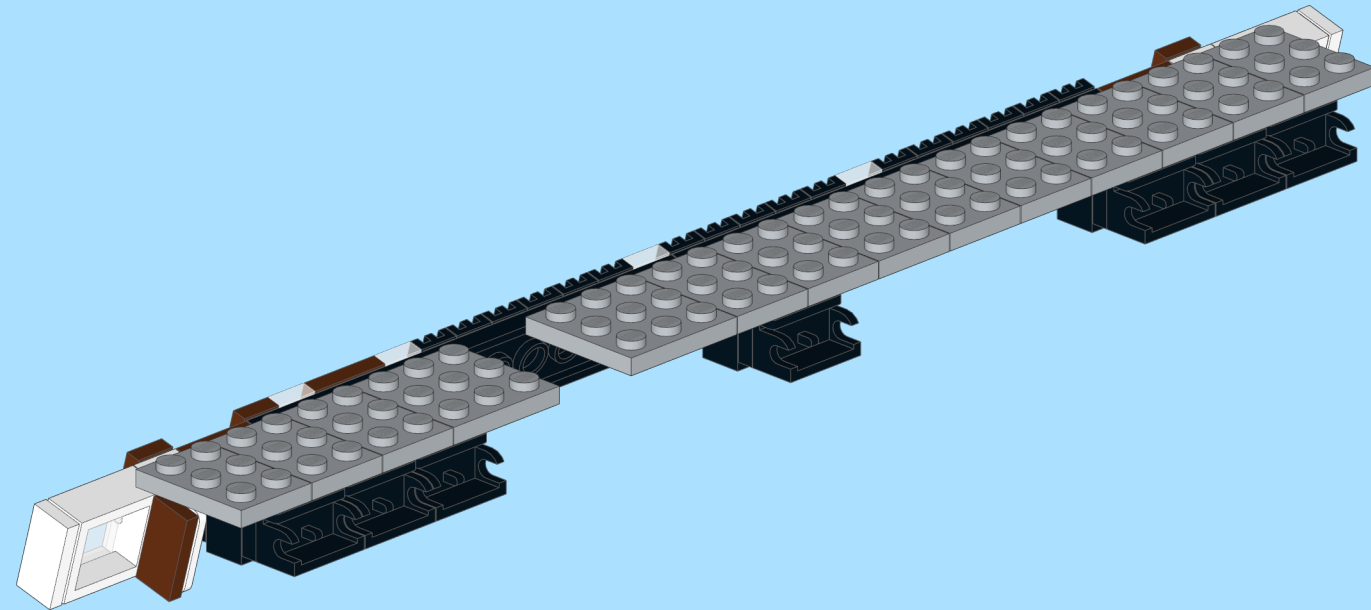
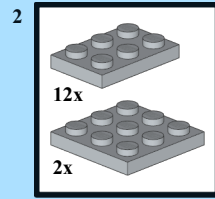


5

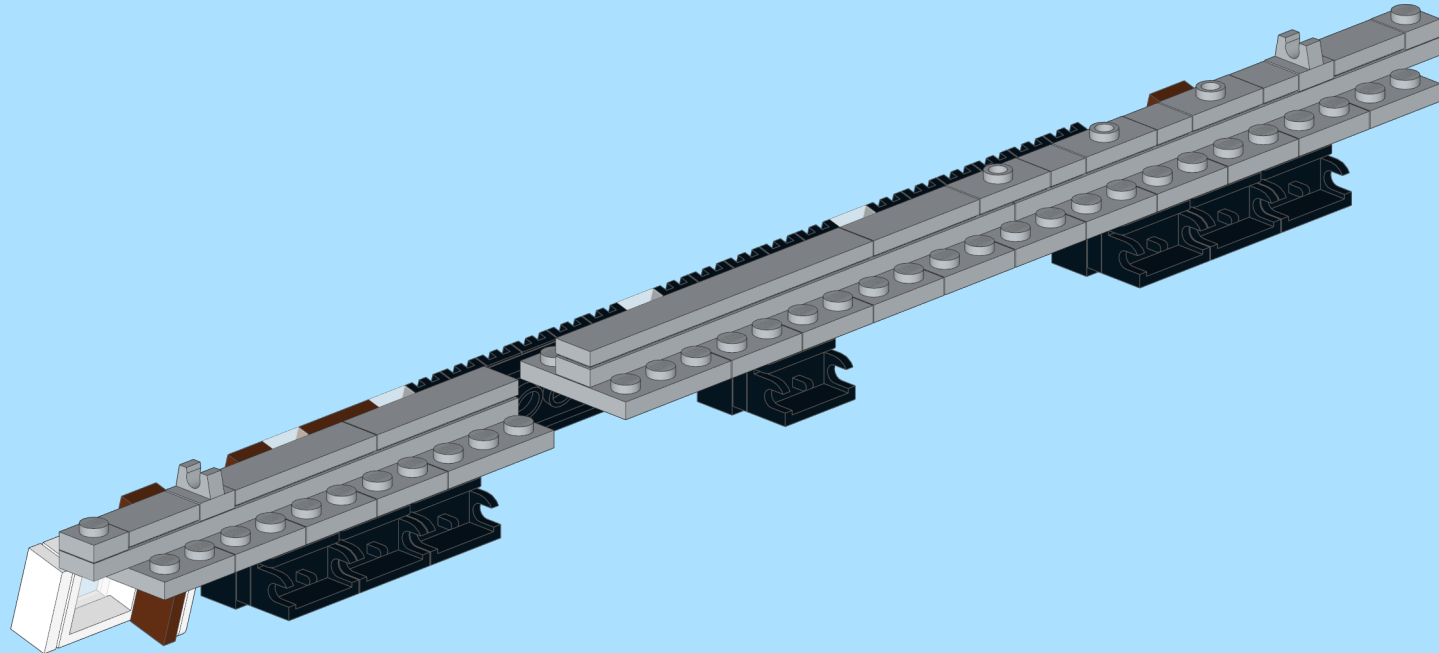
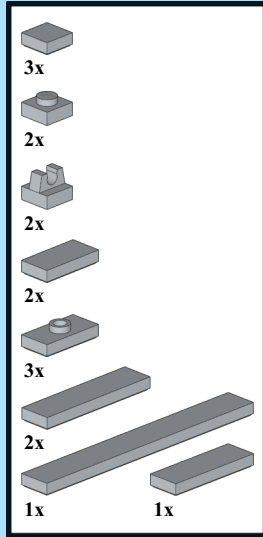


- 1
- 7x
 - 14x
 - 14x

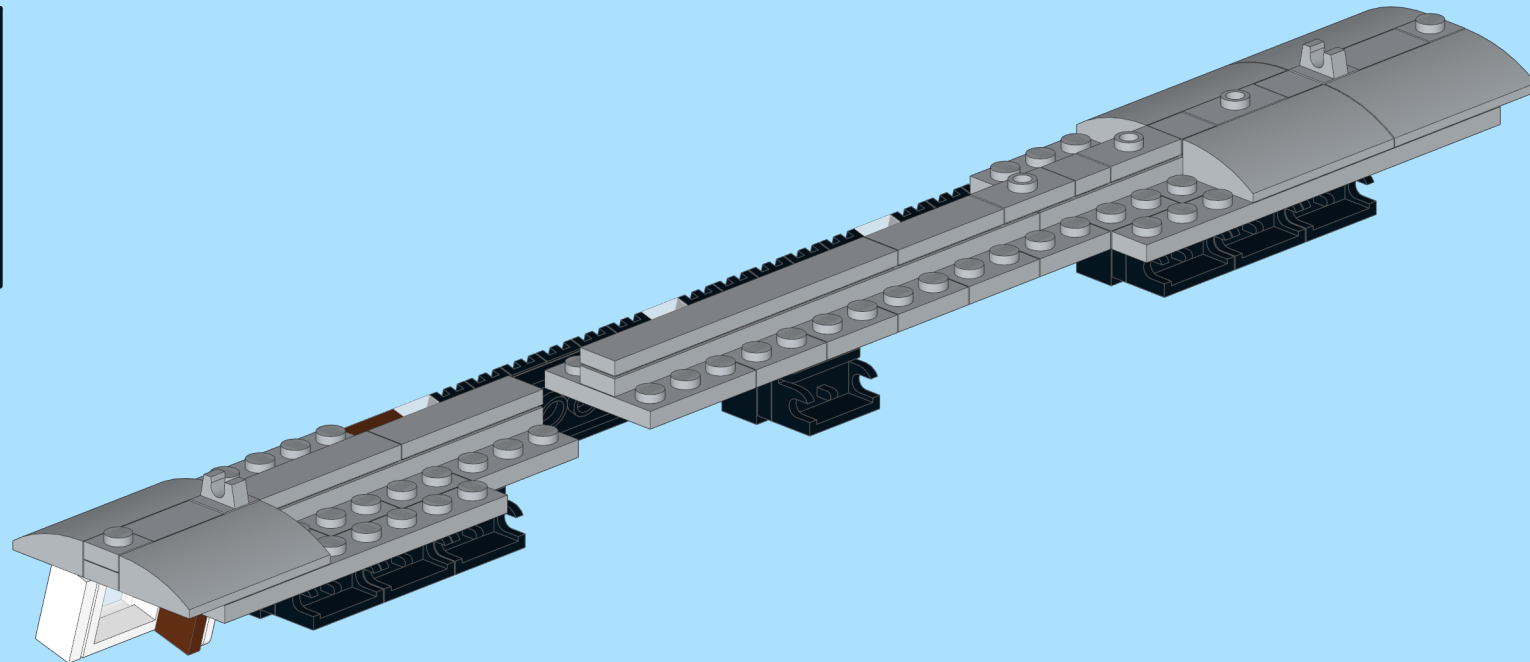
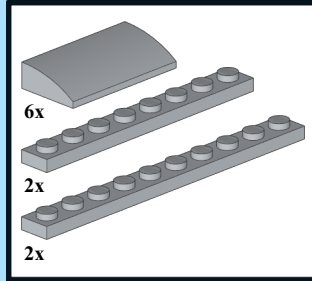




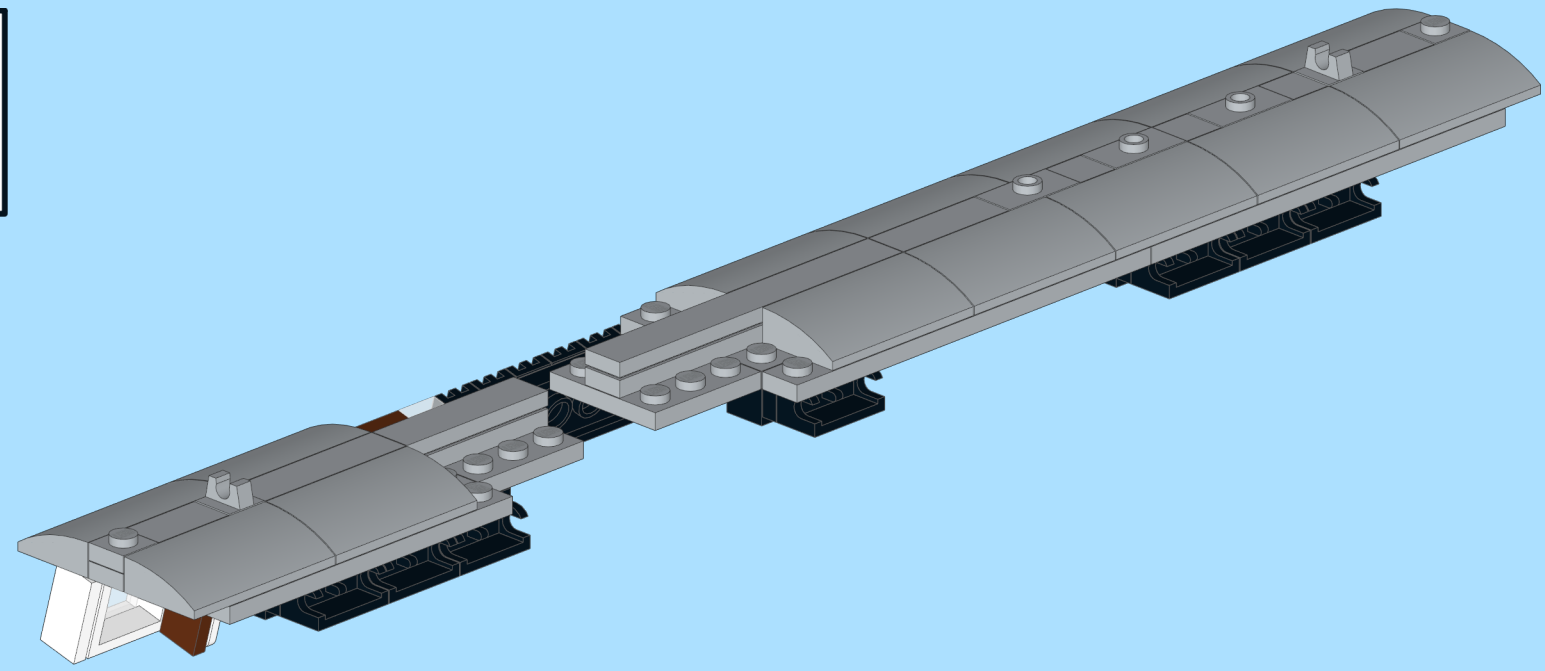
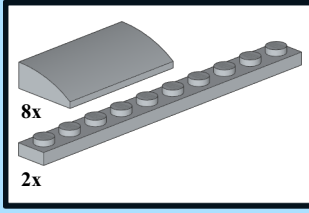
4



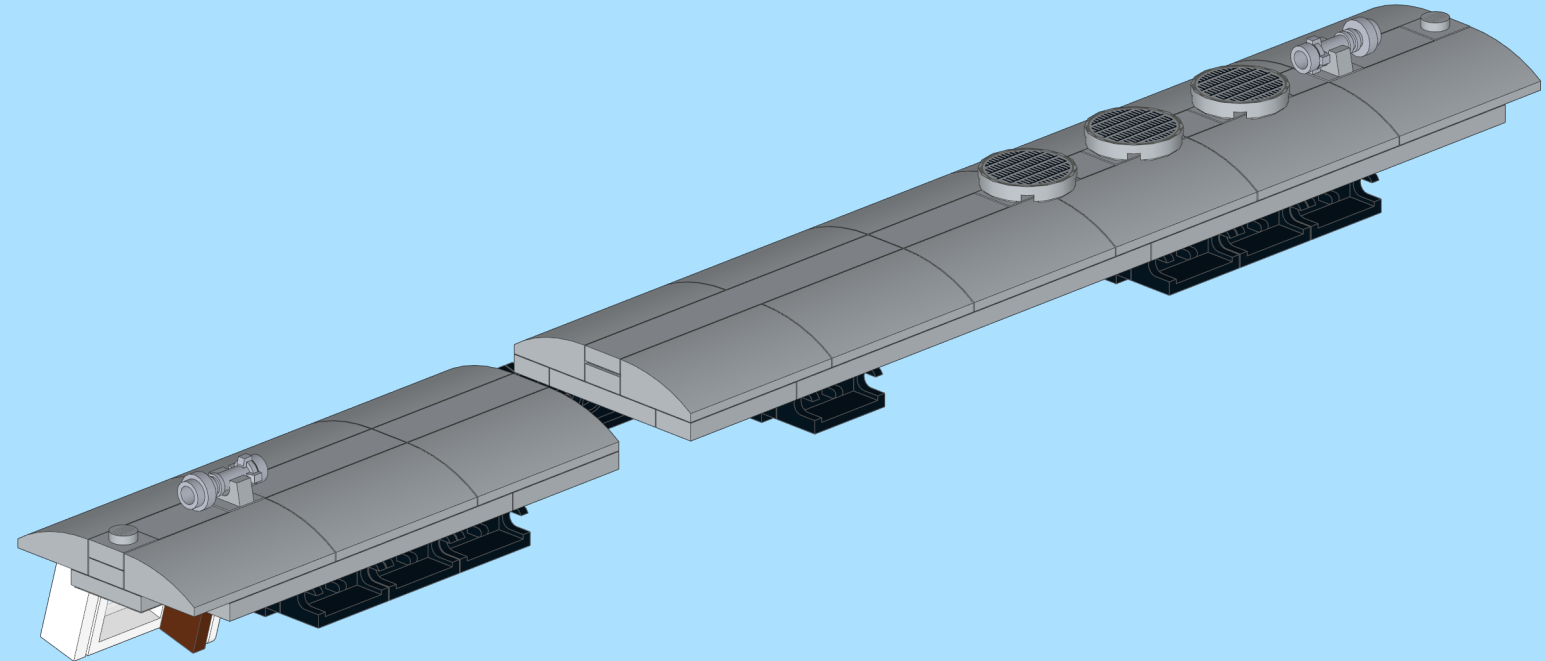
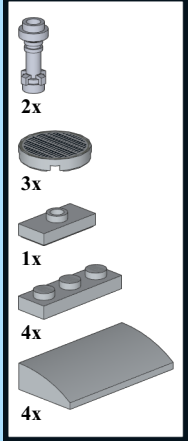
5

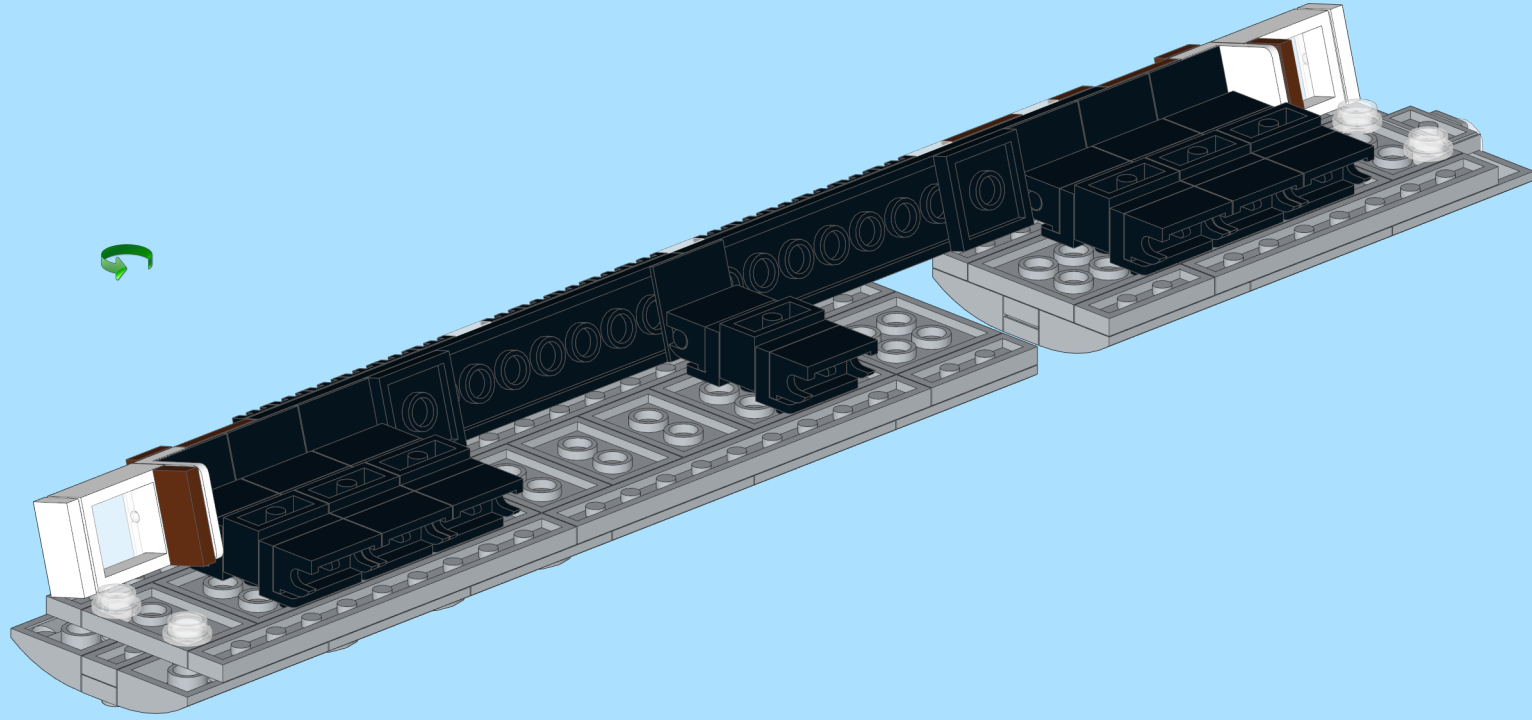
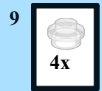
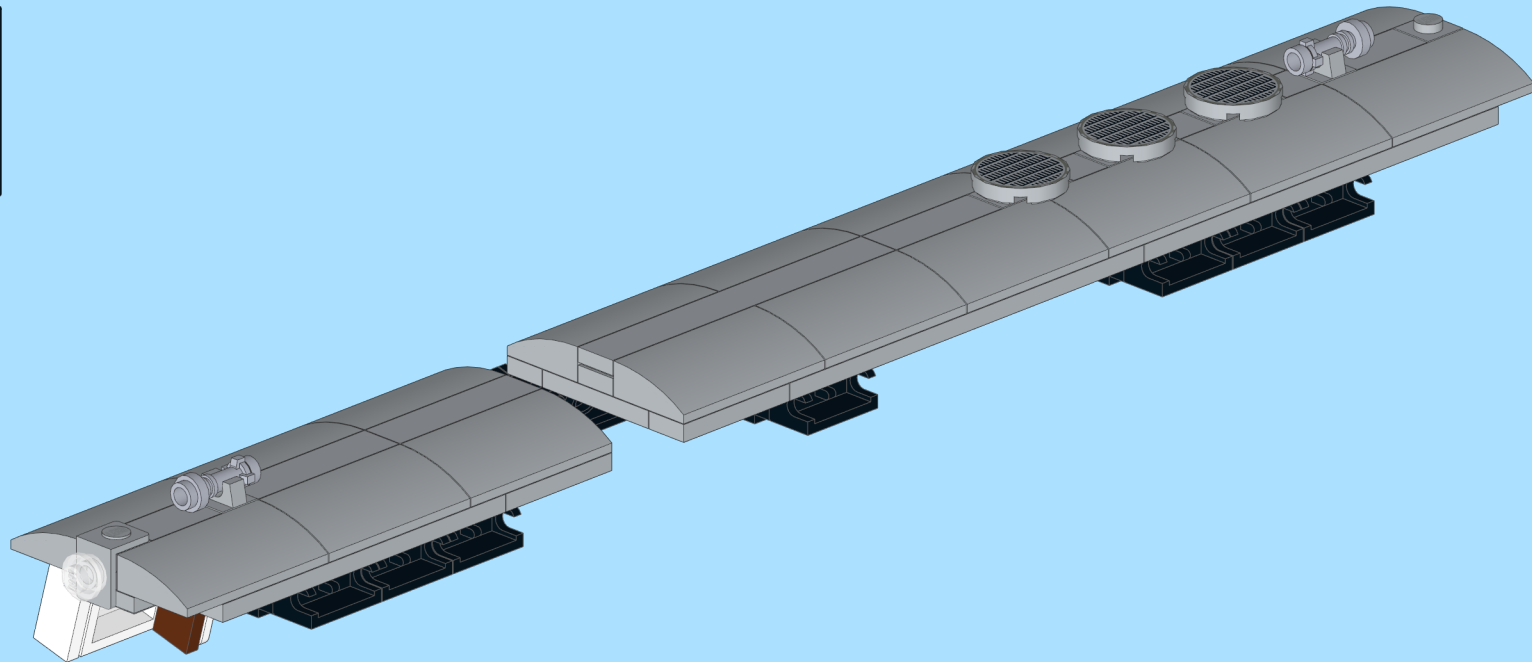


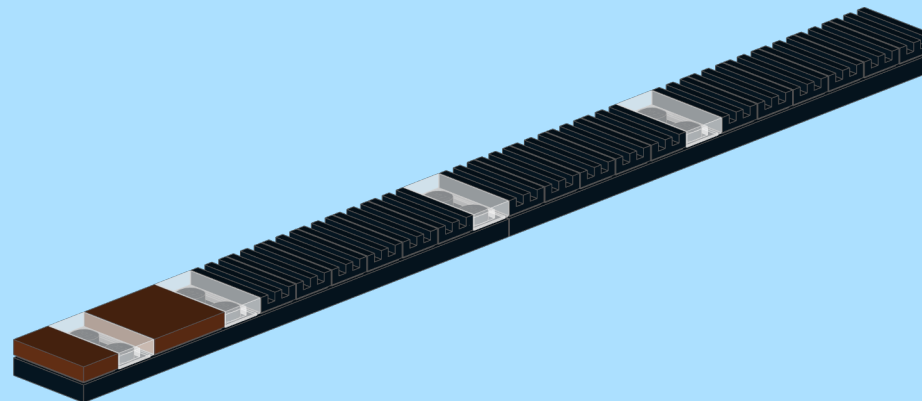
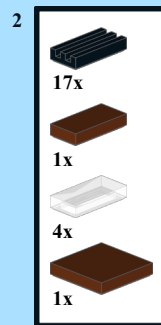
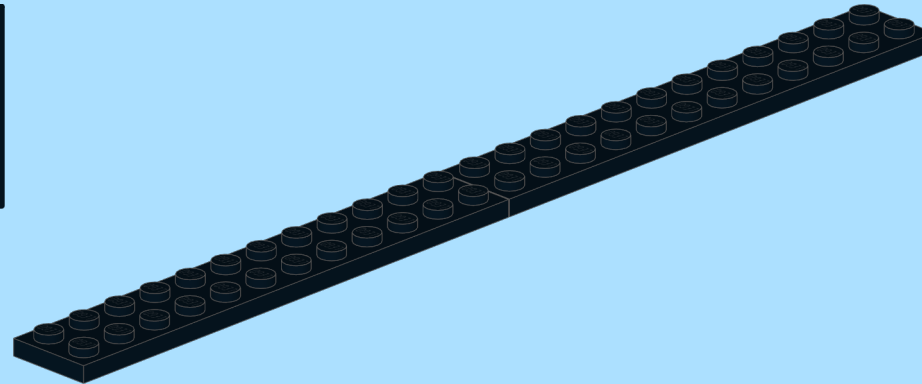
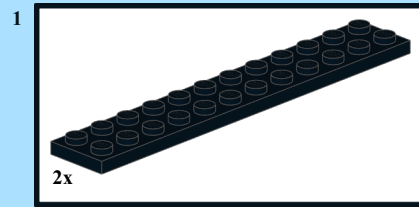
6

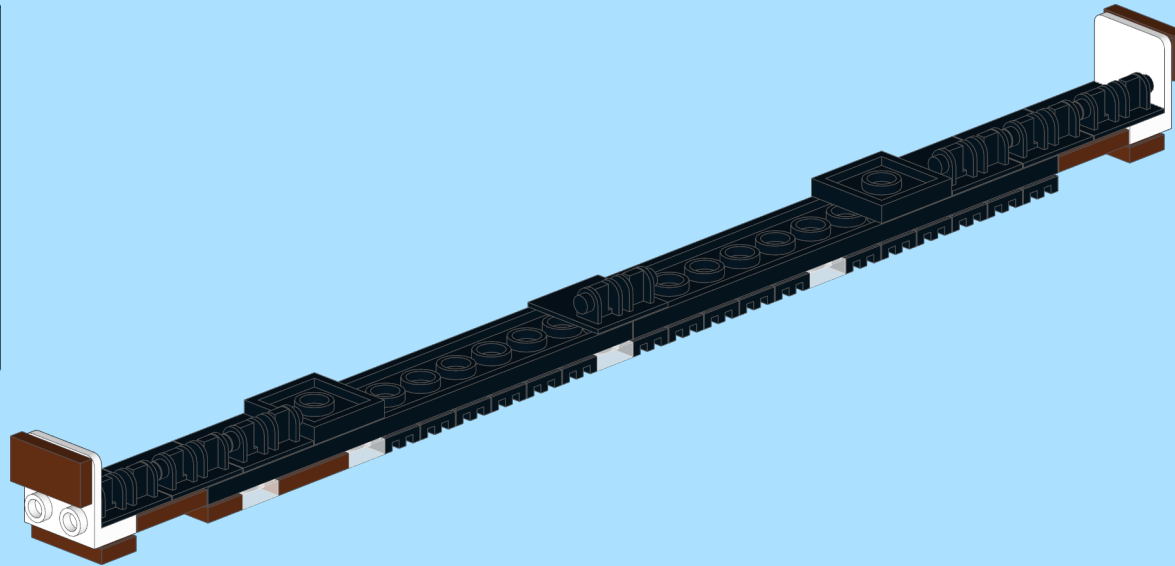
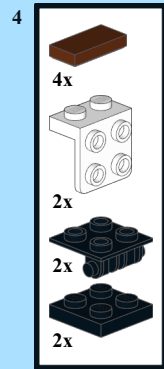
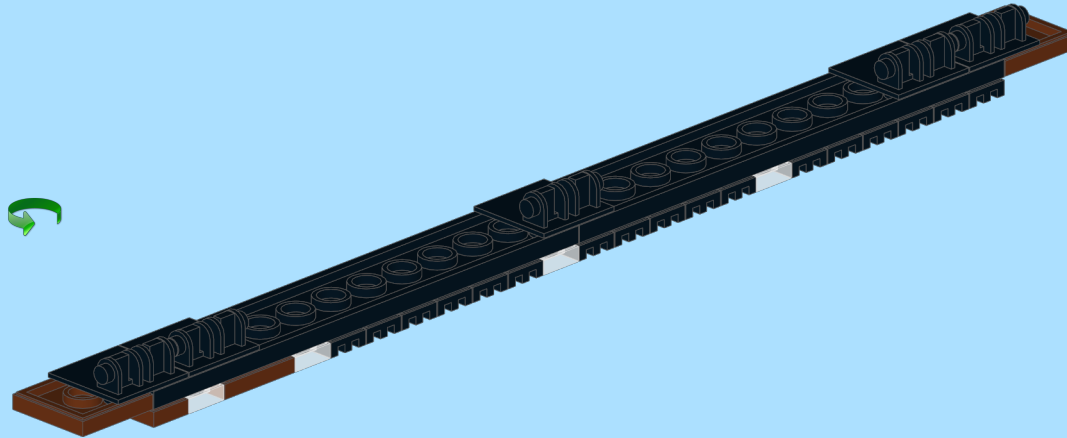
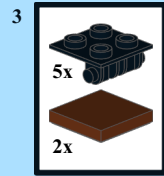


7

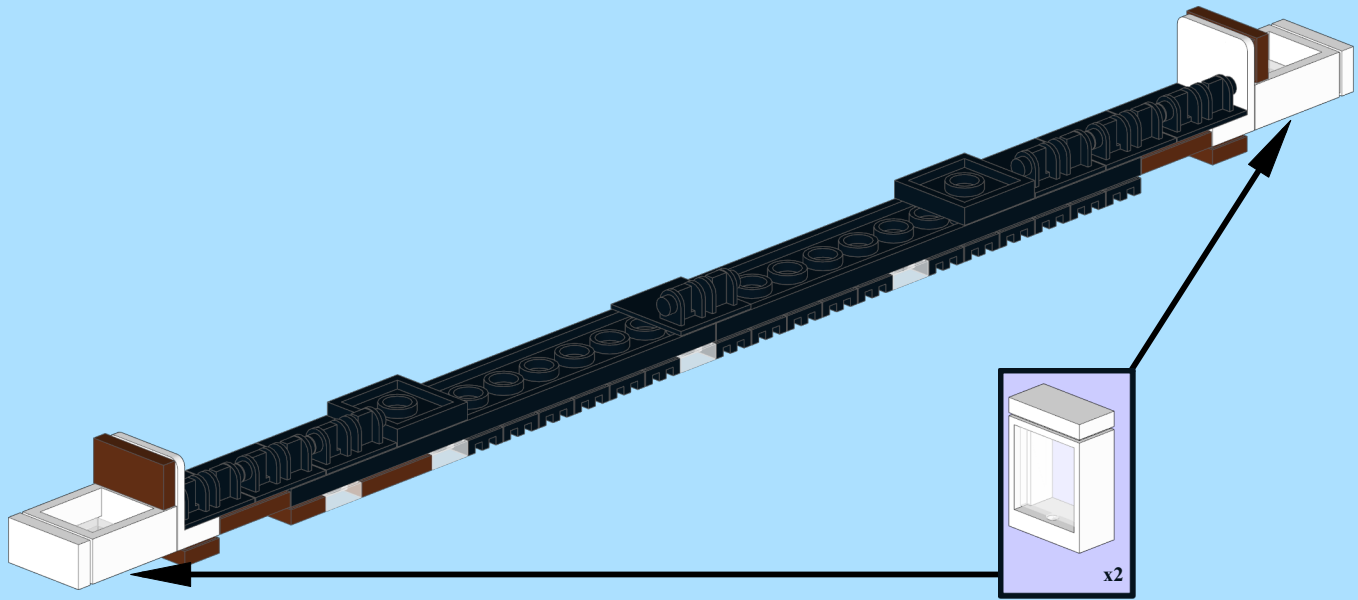
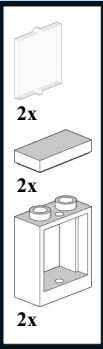




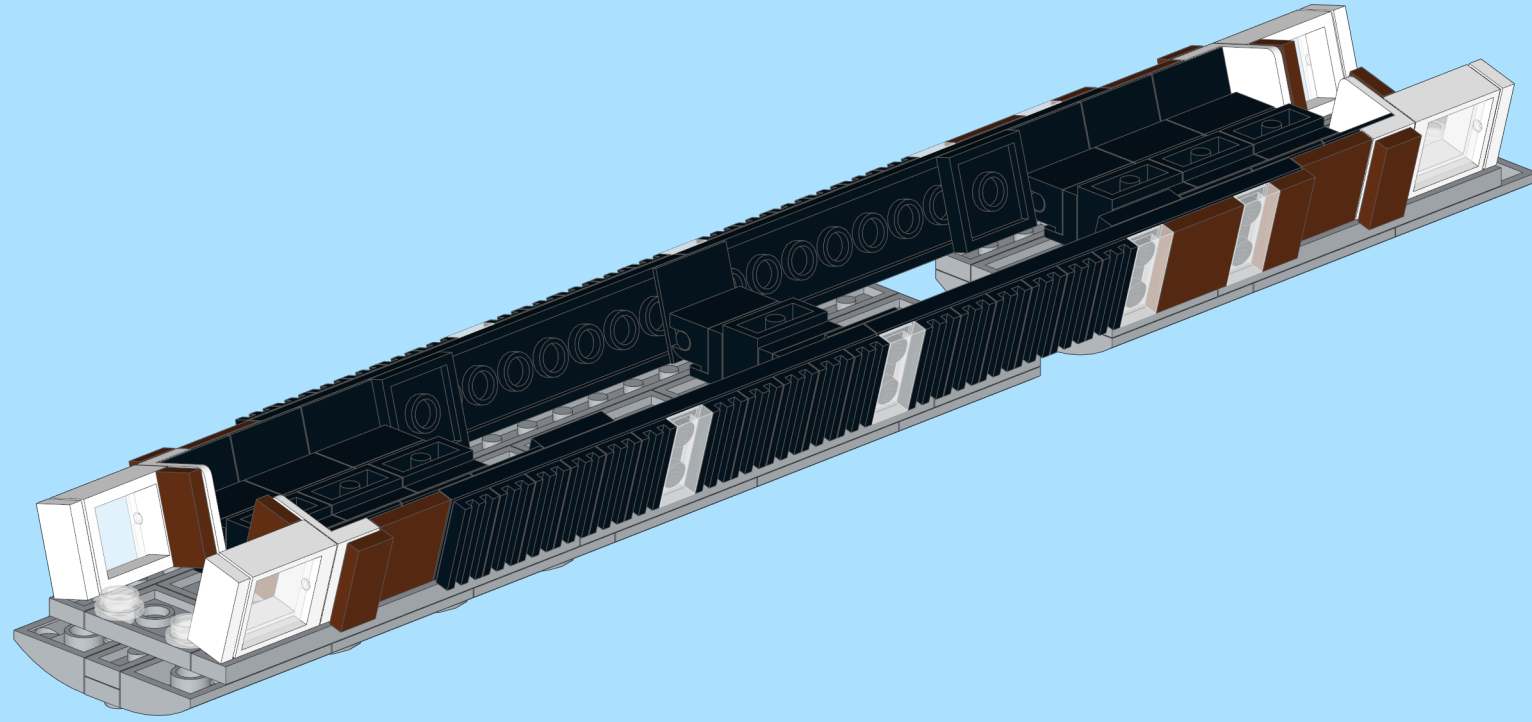




5



10



11

