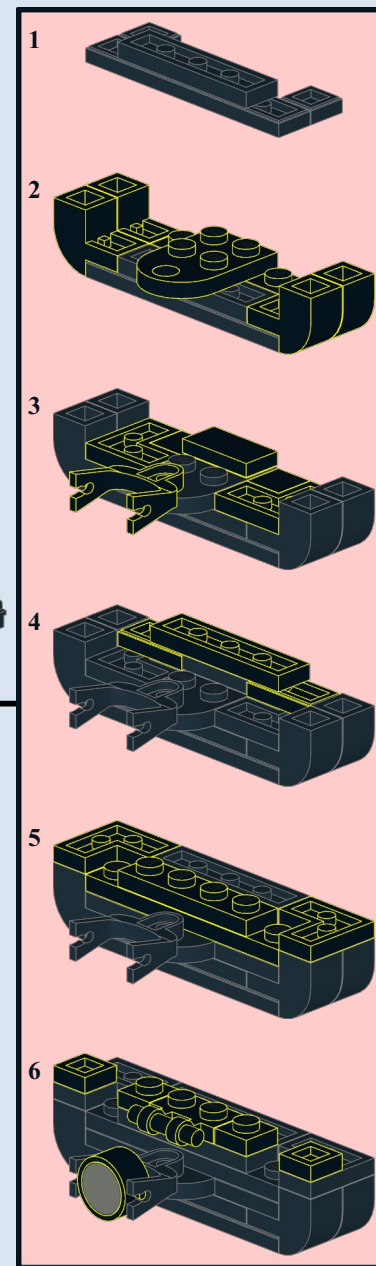
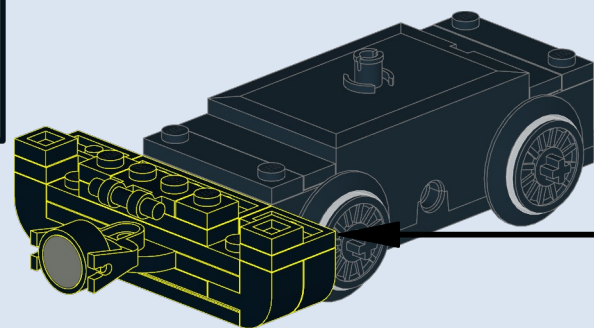
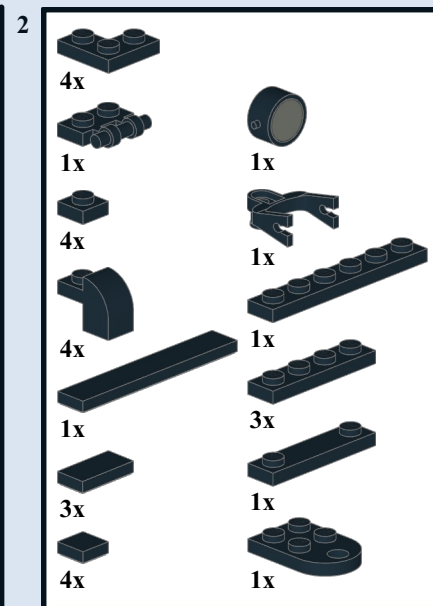
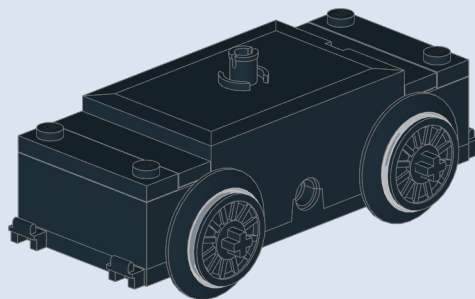
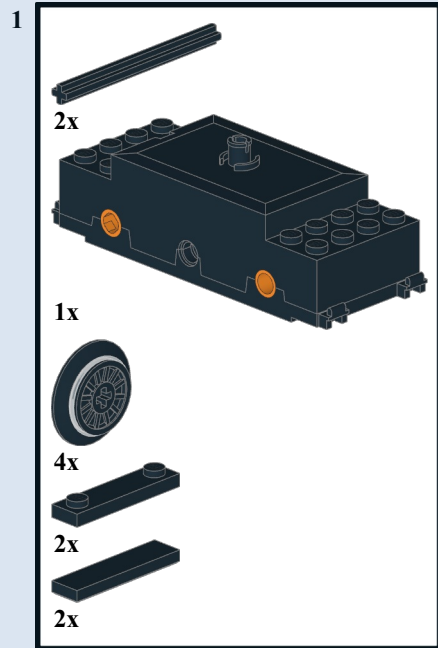


# LEGO Gmbh Spielwaren Kof

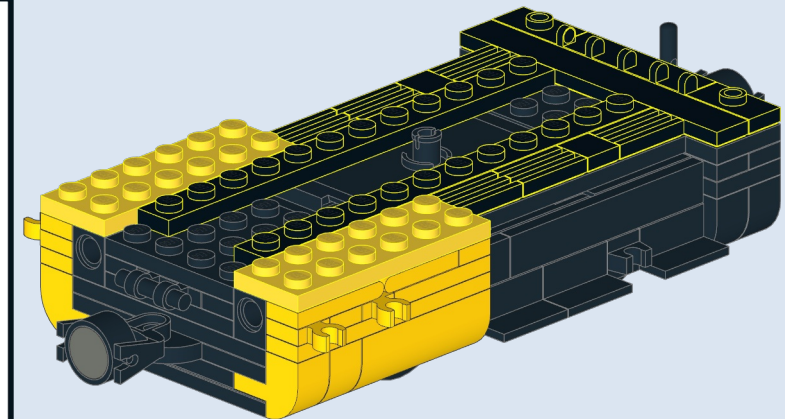
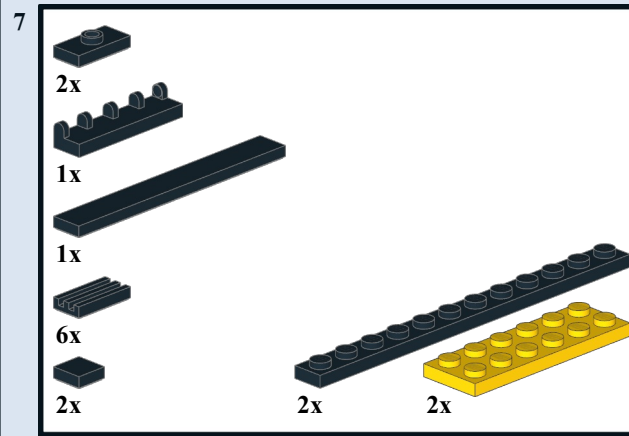
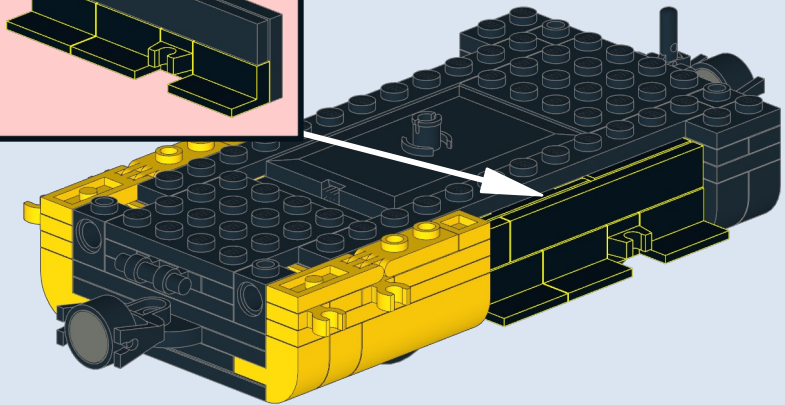
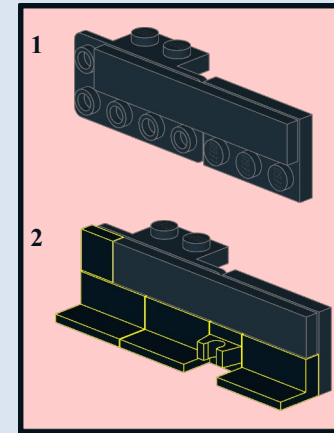
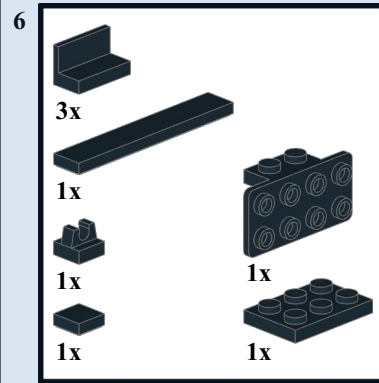
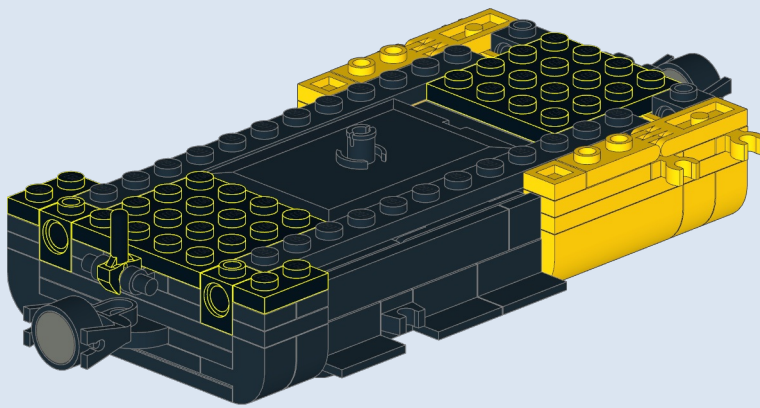
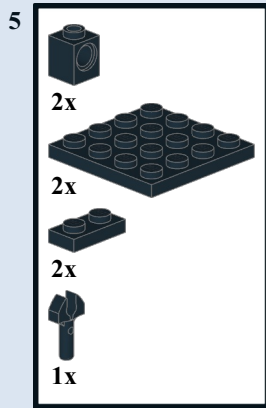
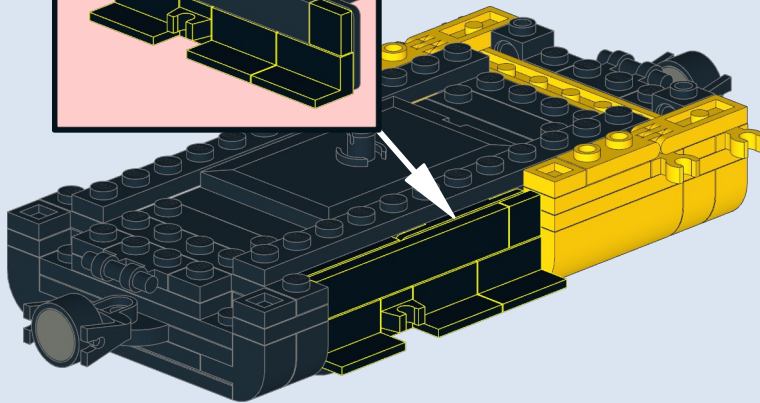
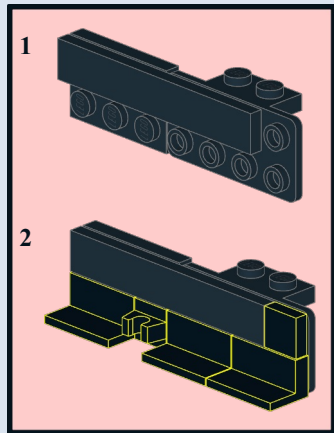
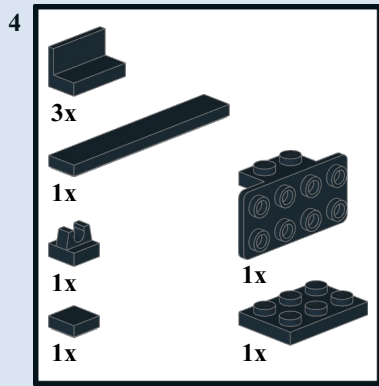


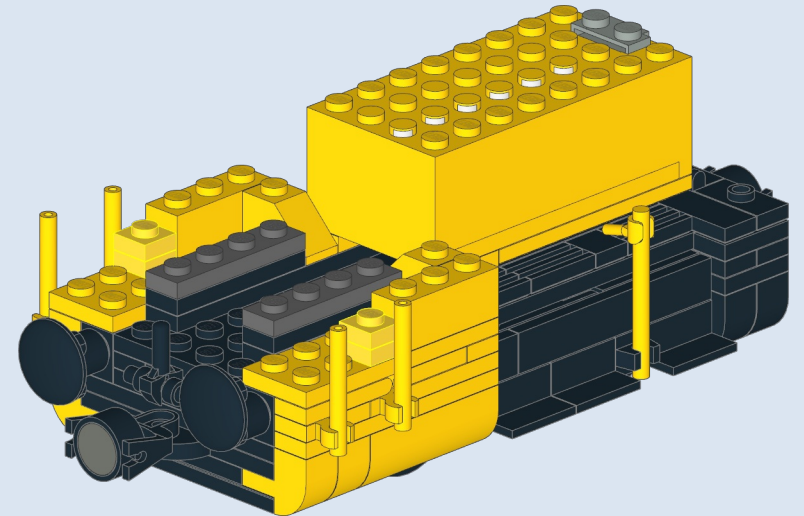
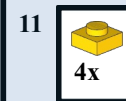
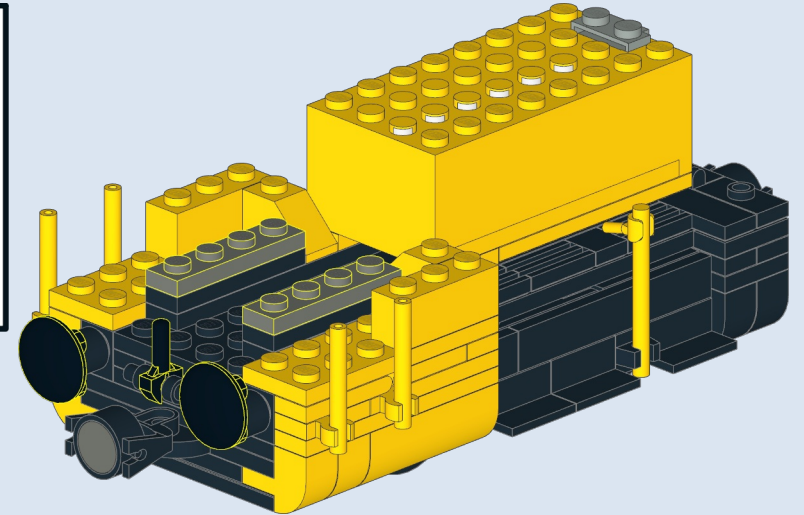
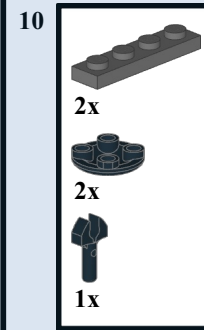
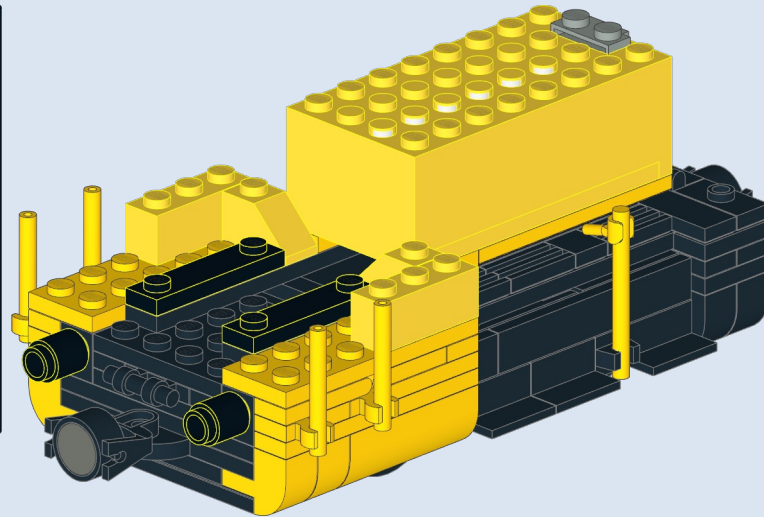
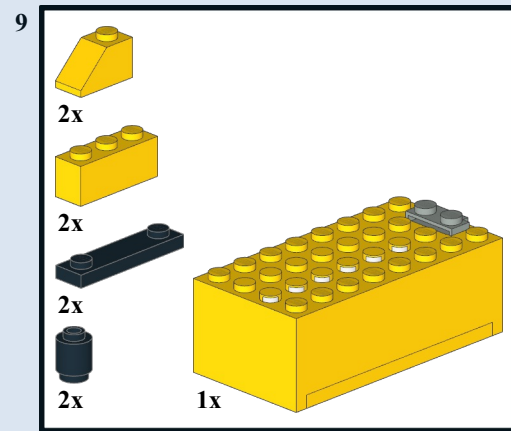
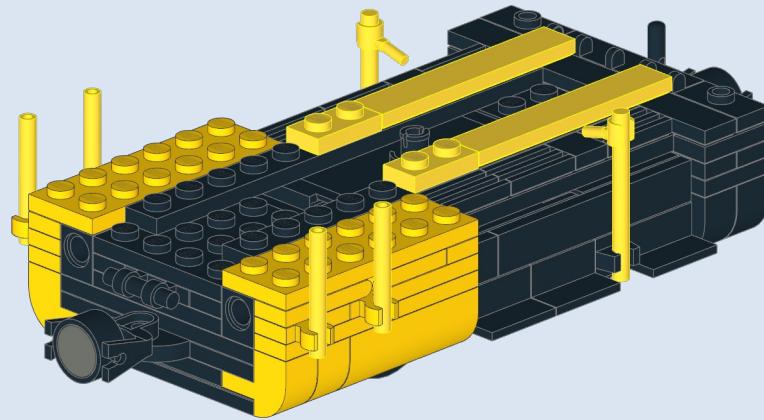
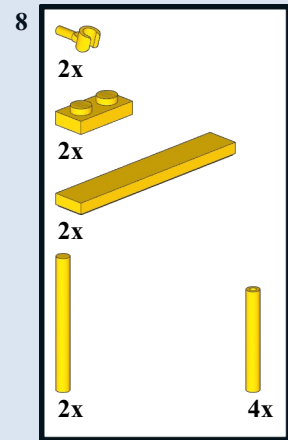
Designed by Dennis Tomsen @2012, 2021  
Version 2.0

INSTRUCTION BY  
**KNUD ALBRECHTSEN**  
[www.snakebyte.dk/lego](http://www.snakebyte.dk/lego)

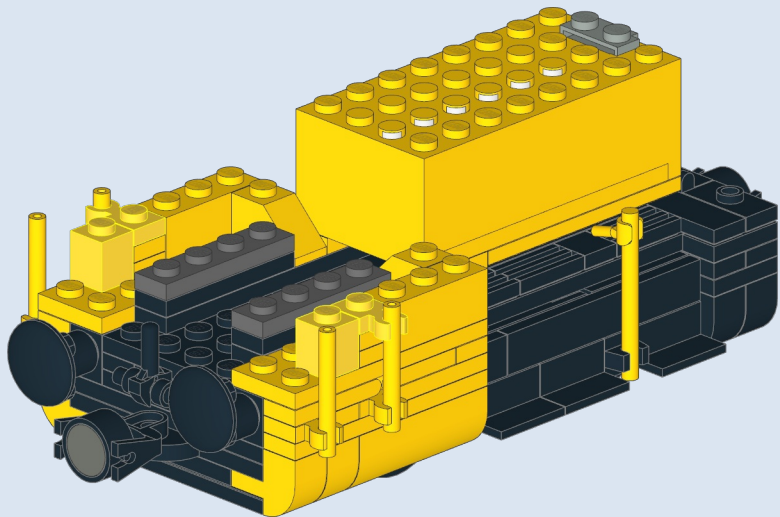
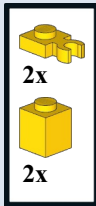




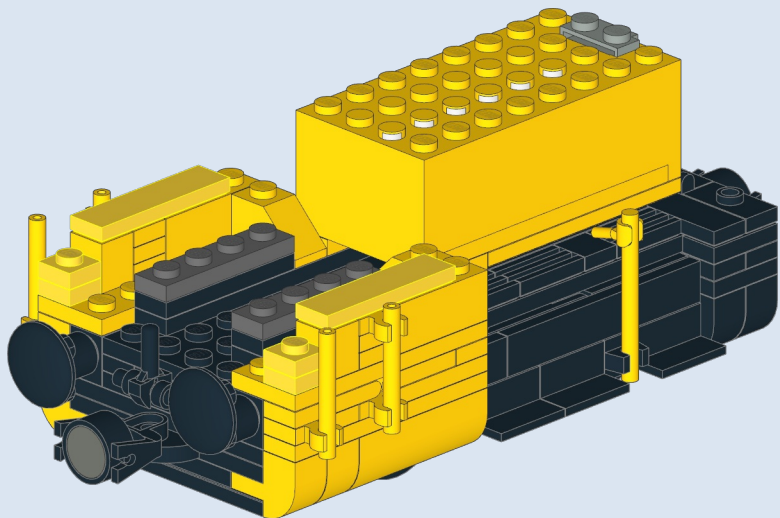
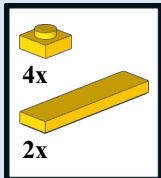




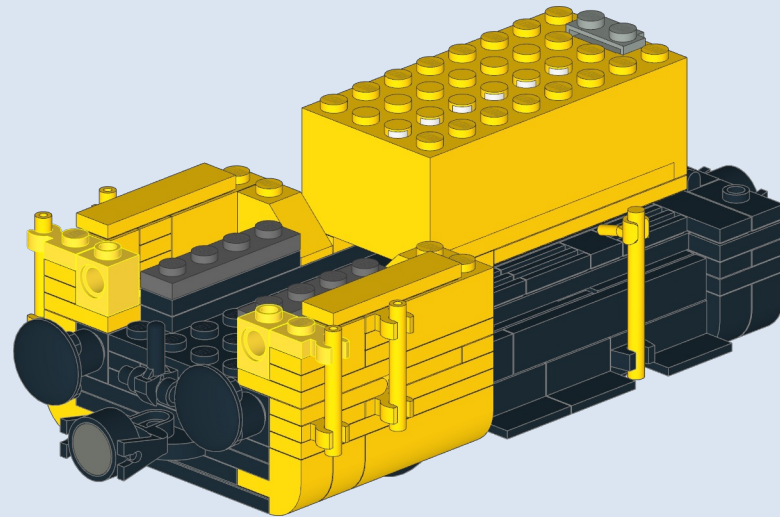
12



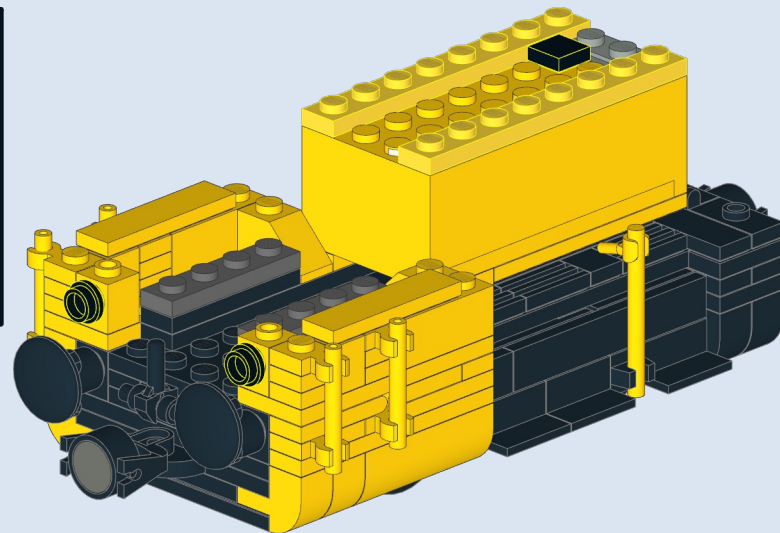
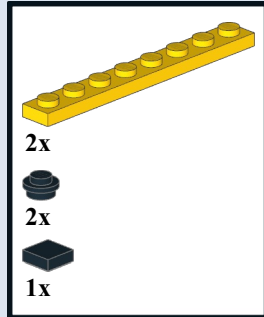
13



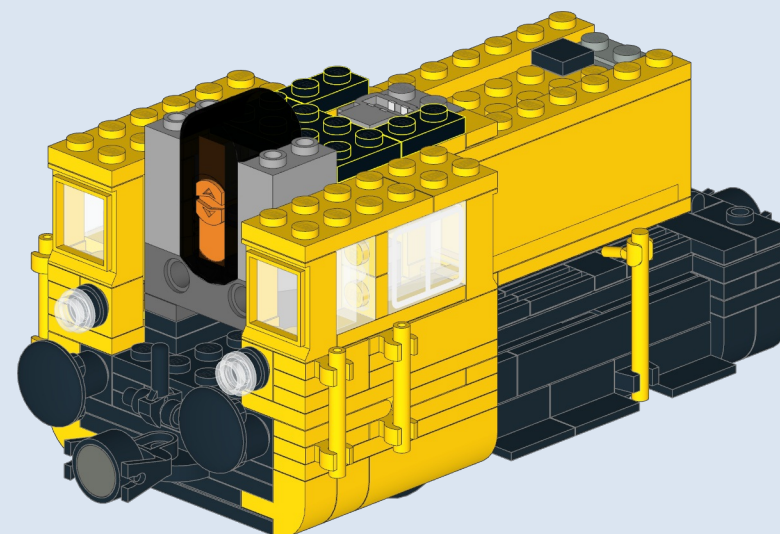
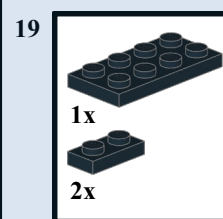
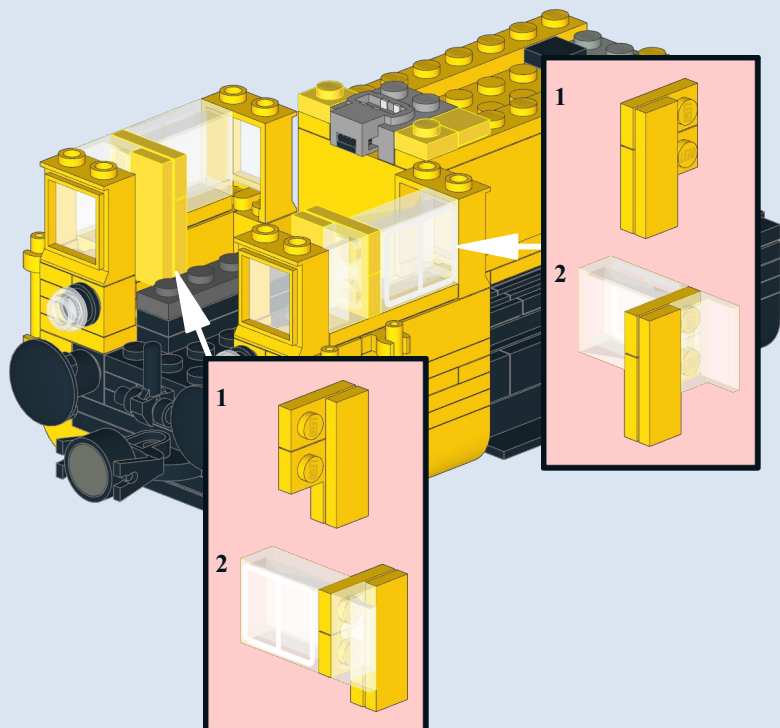
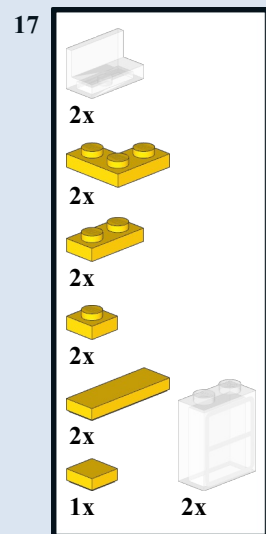
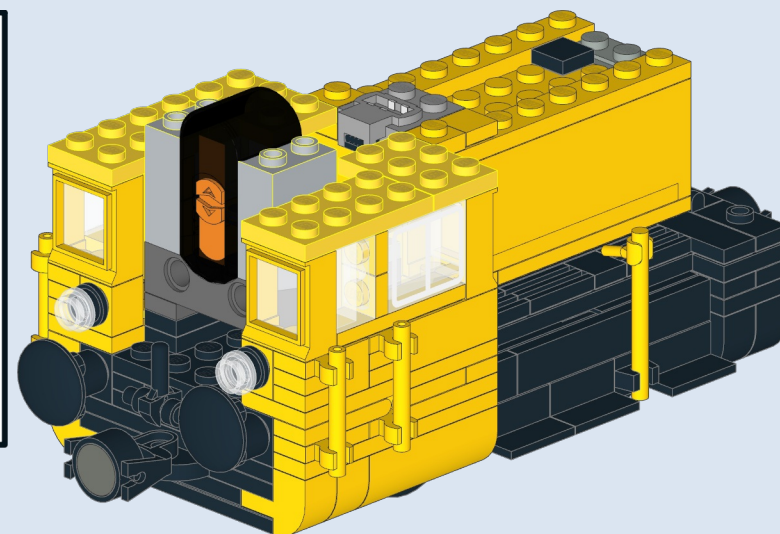
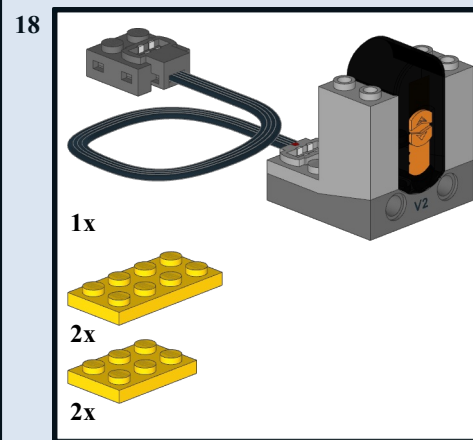
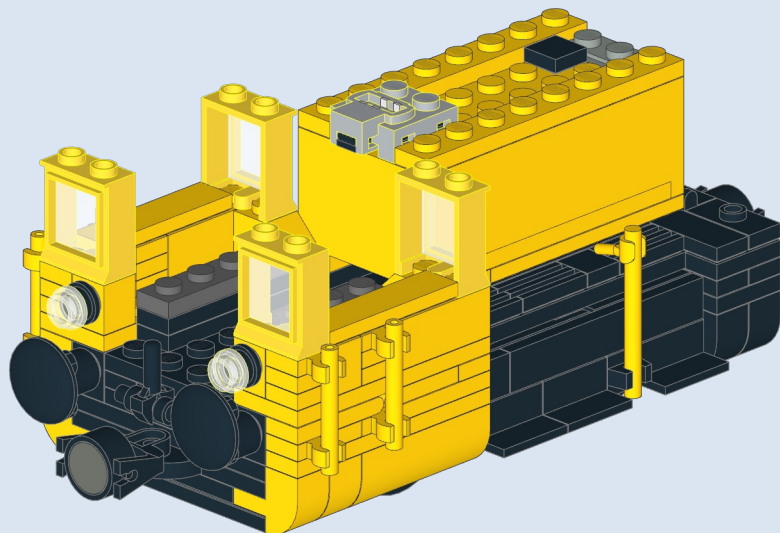
14

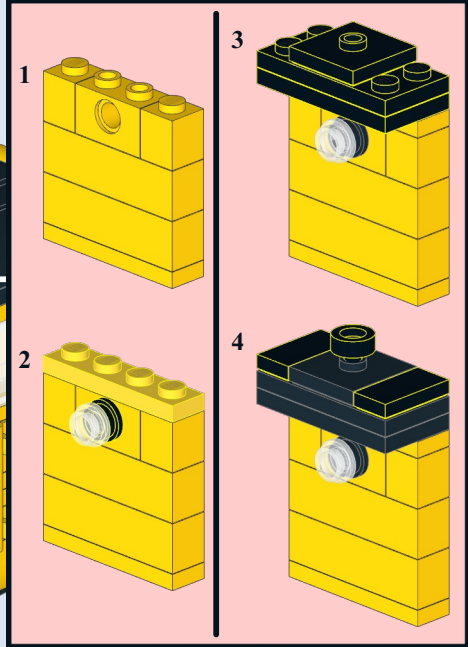
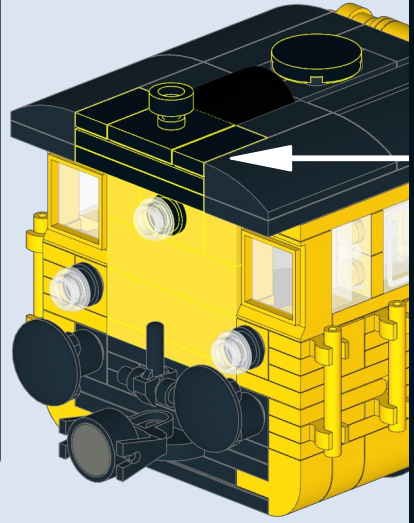
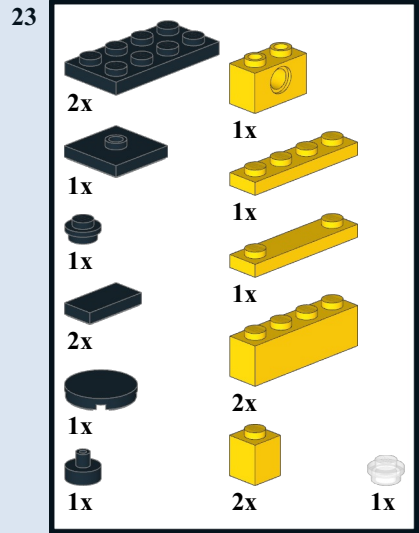
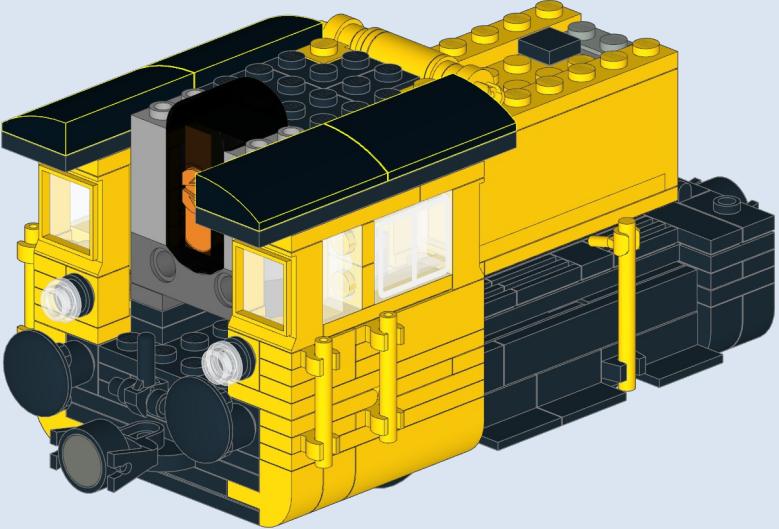
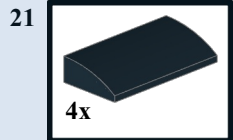
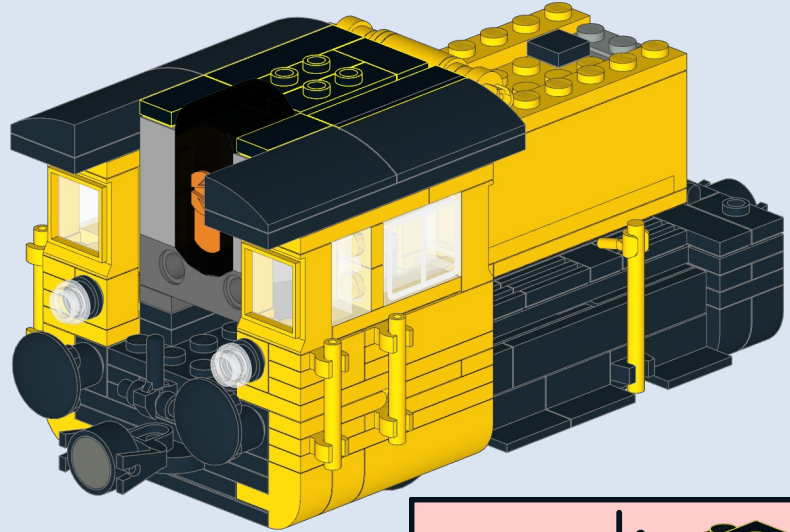
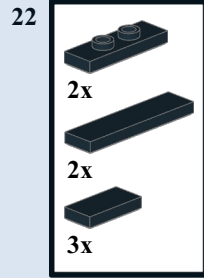
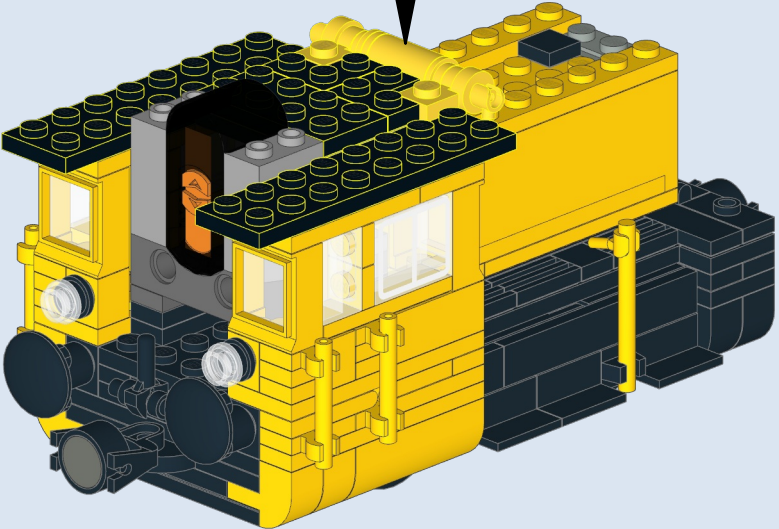
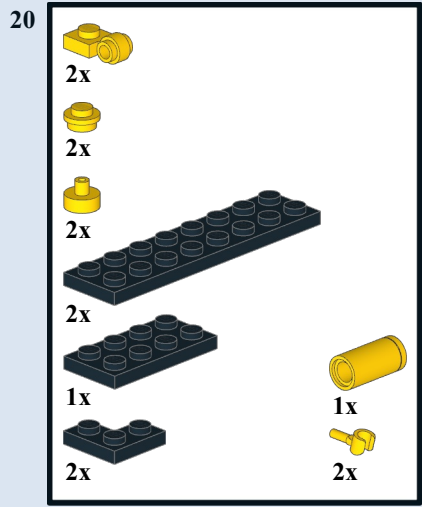
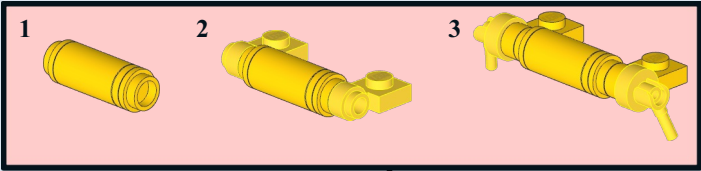


15

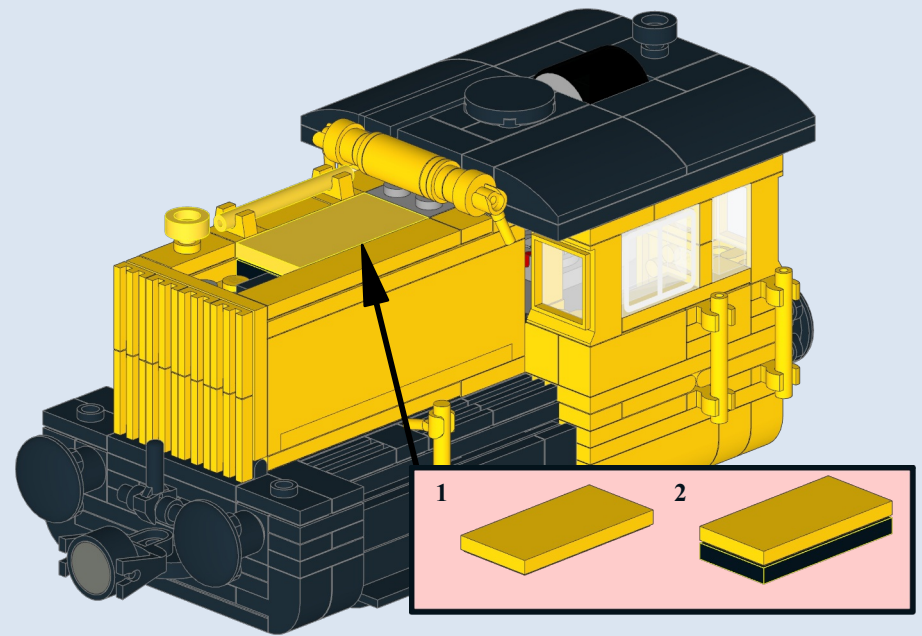
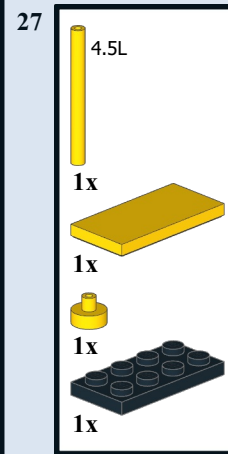
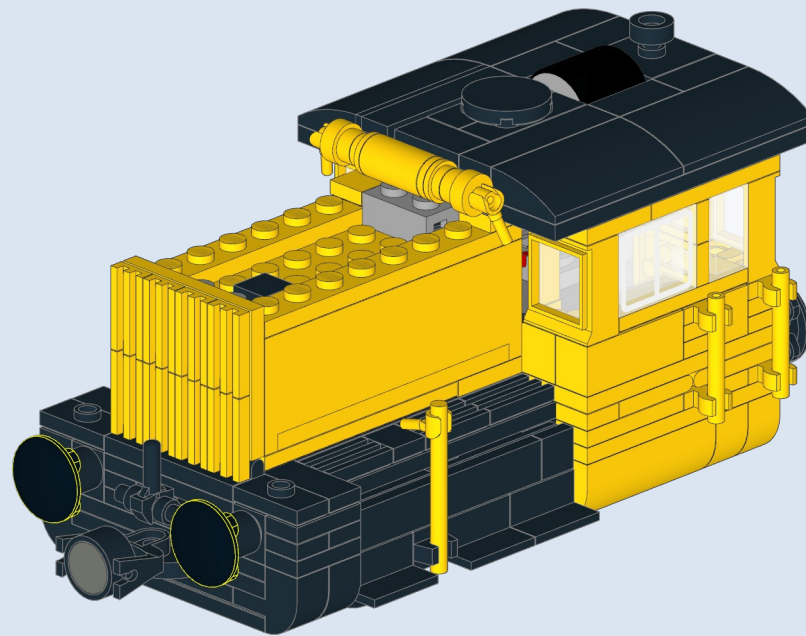
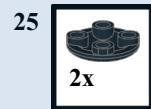
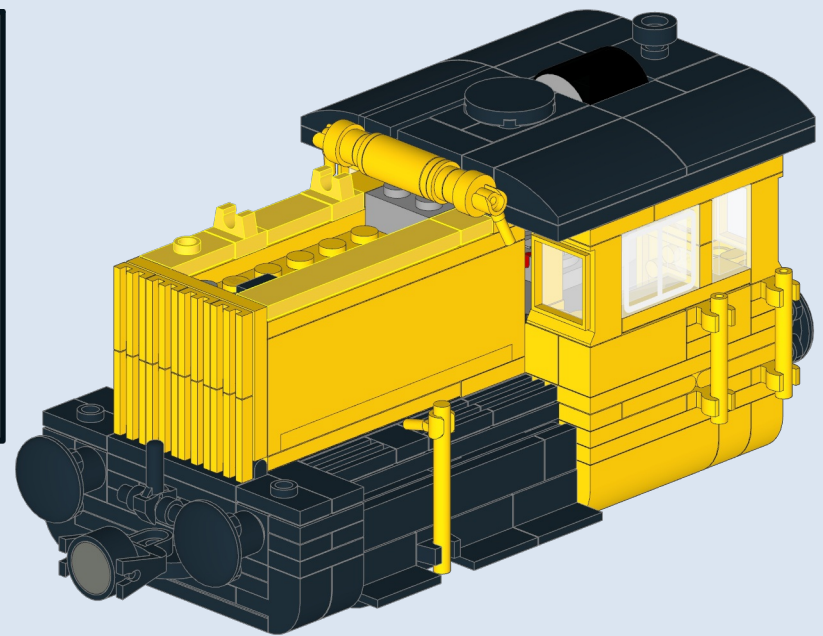
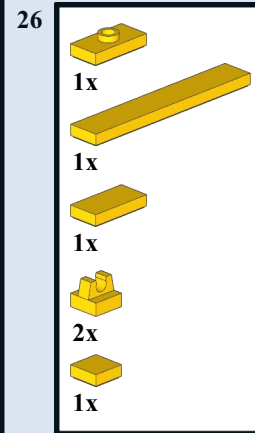
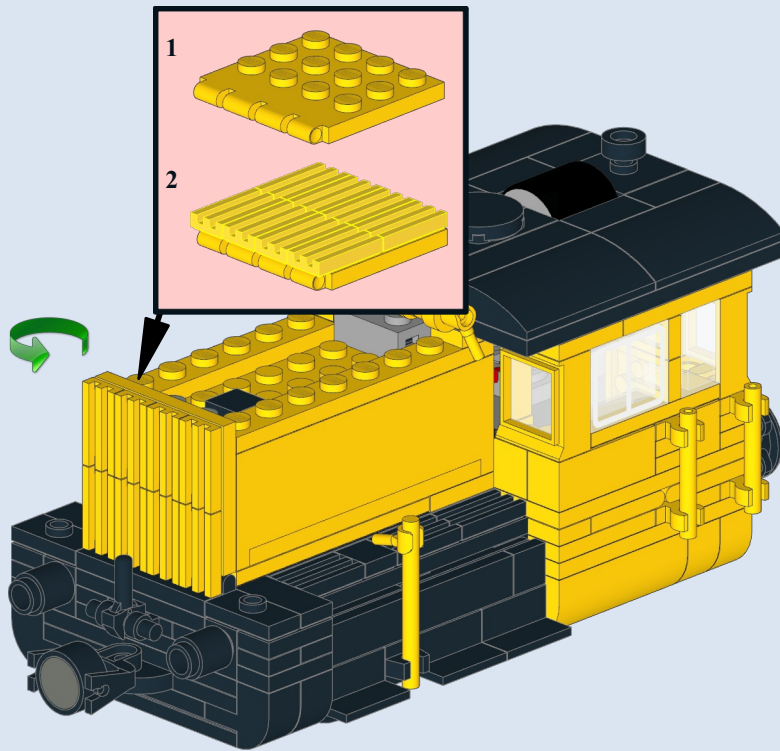
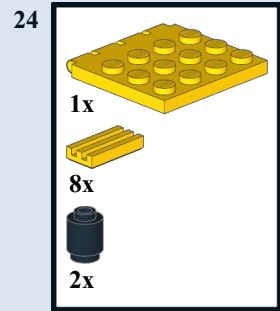


Please use 1x 9v to Power Functions extension wire (item#8886) to connect the battery box with the IR receiver.

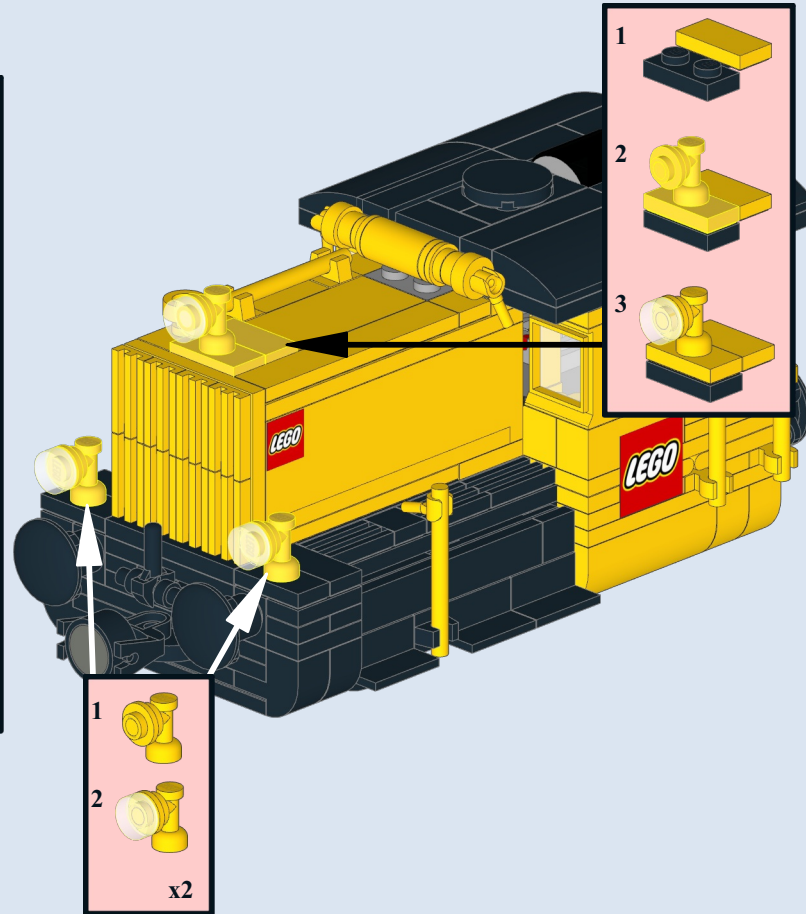
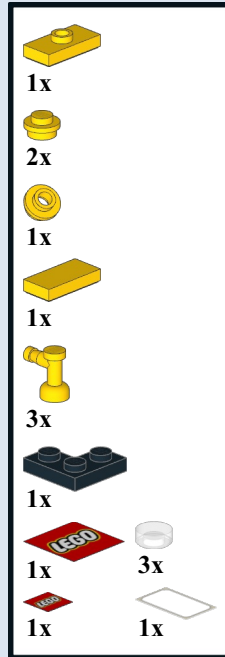








28



29

