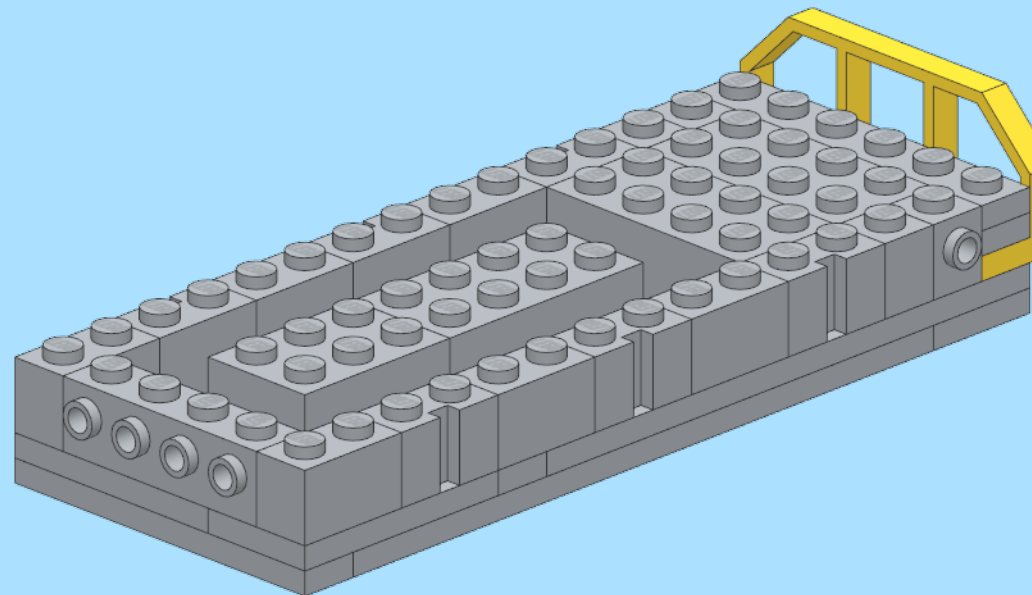
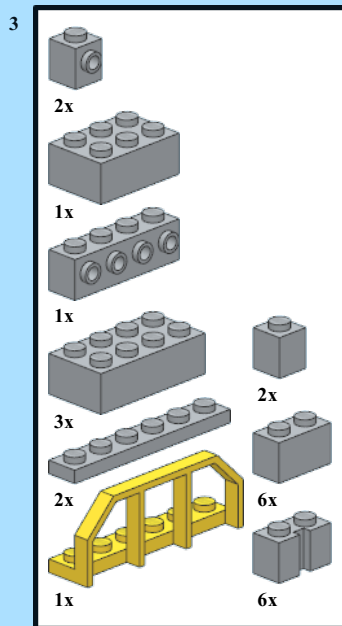
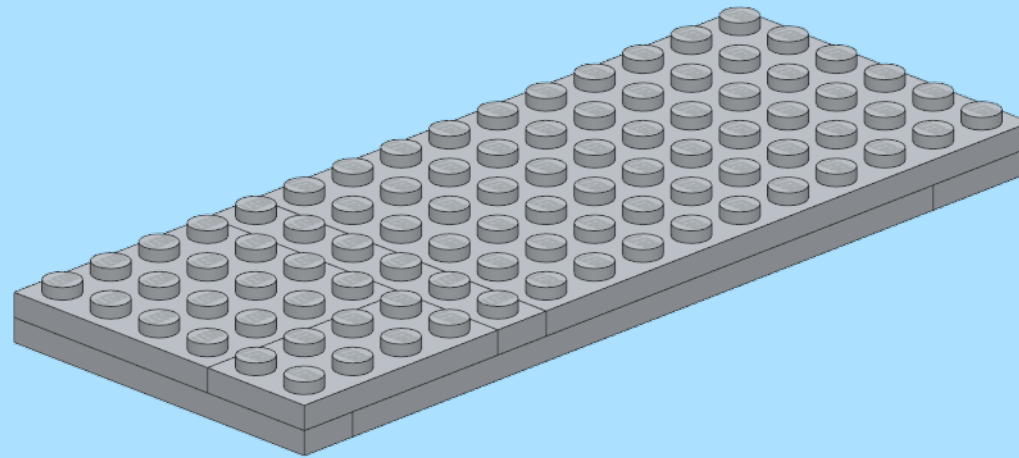
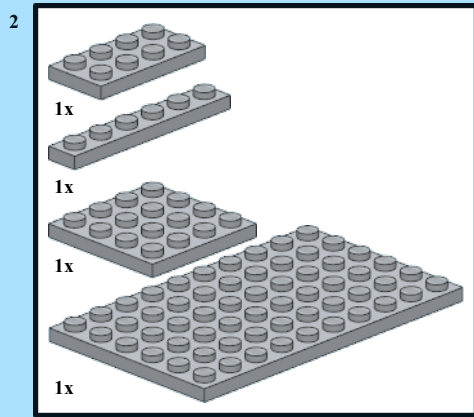
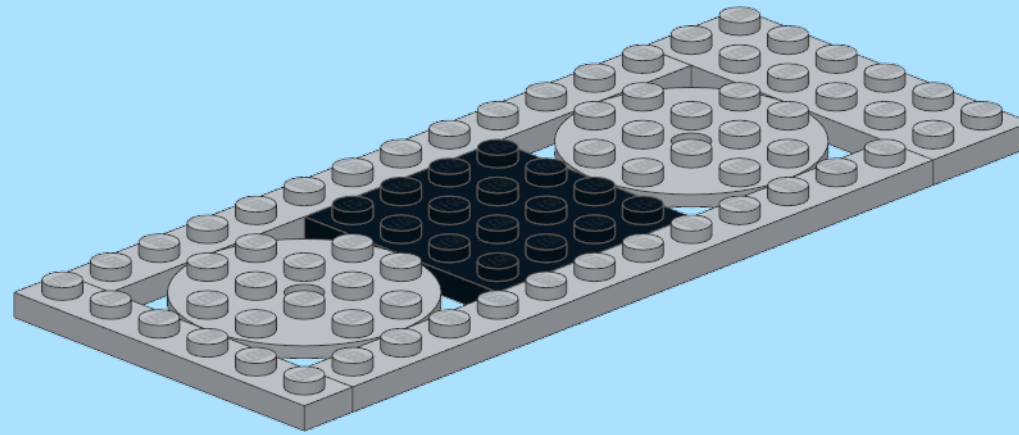
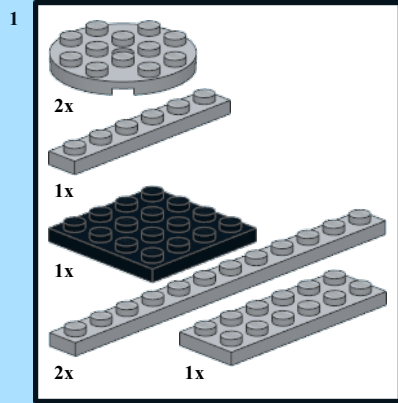


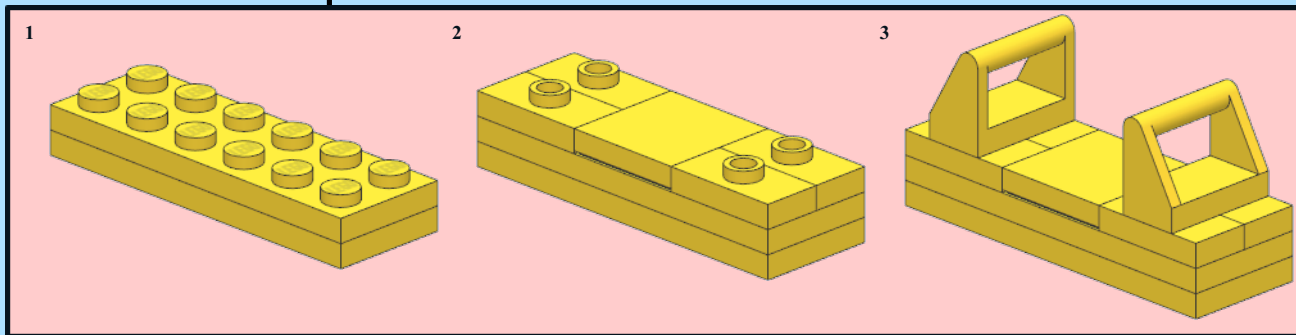
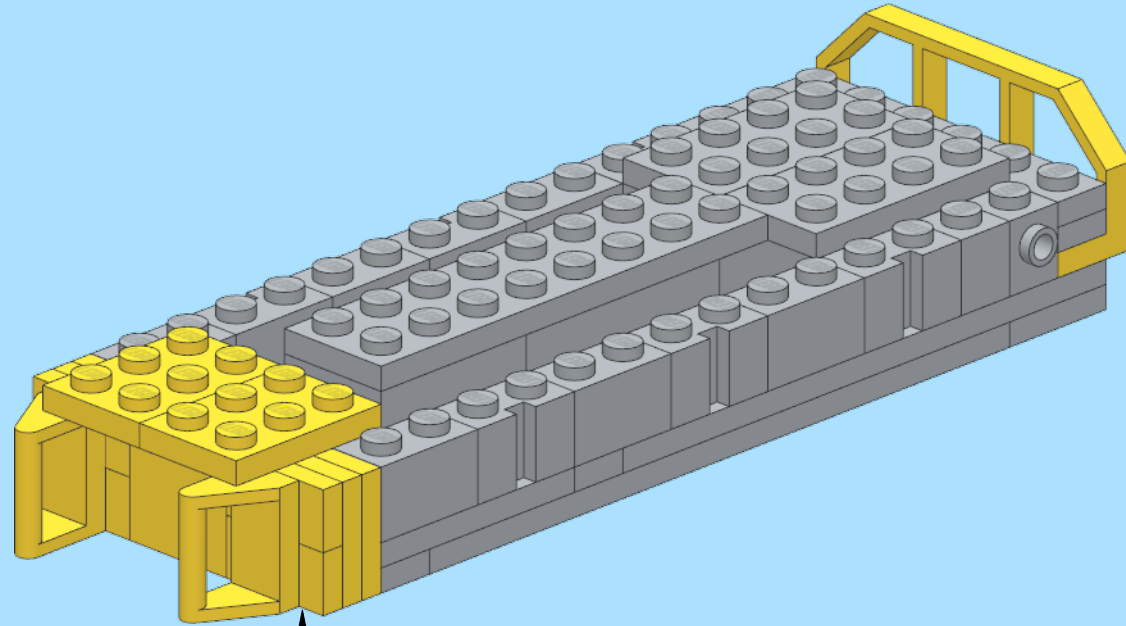
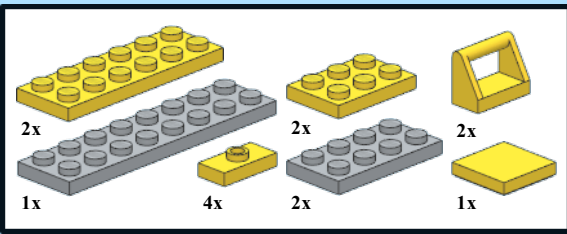
DSB Snowplow 130

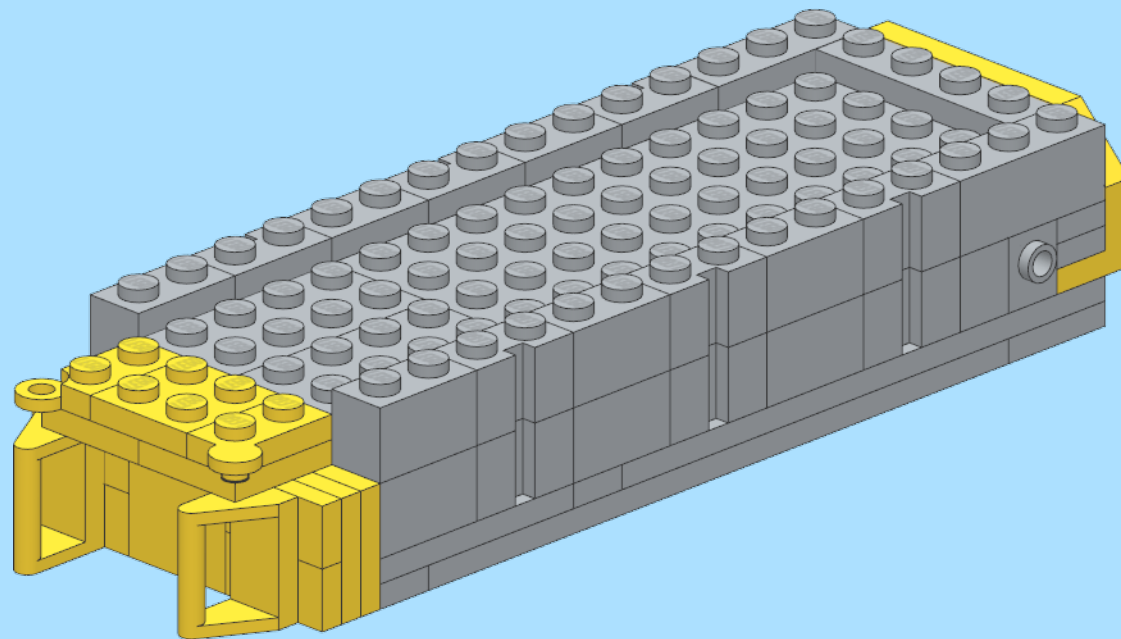
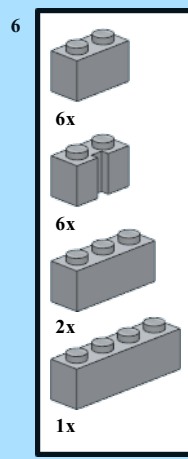
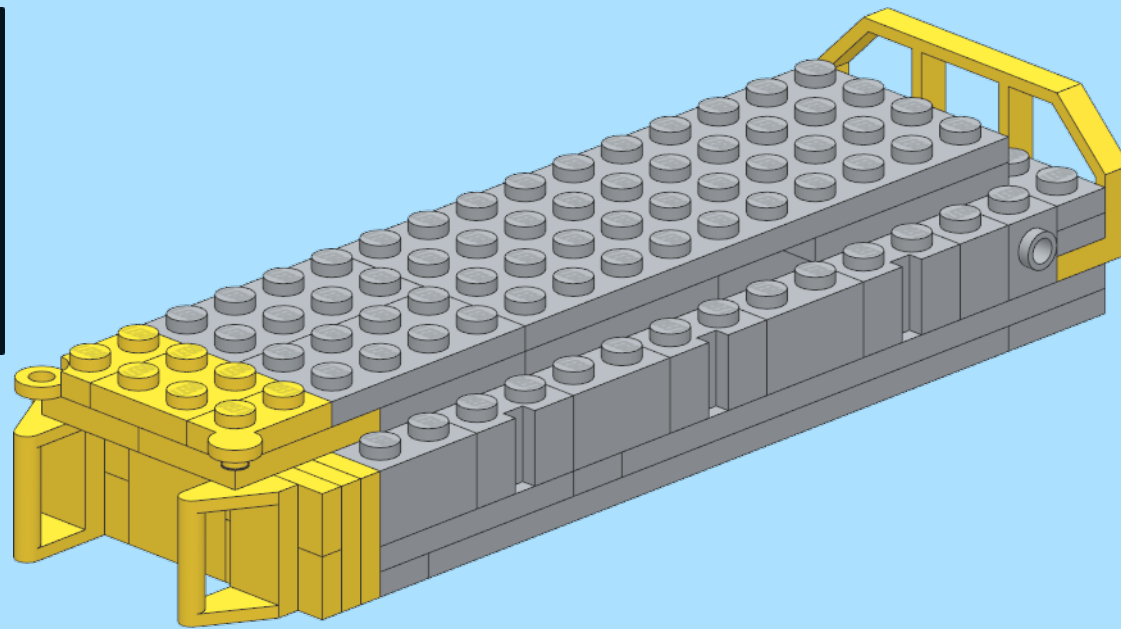
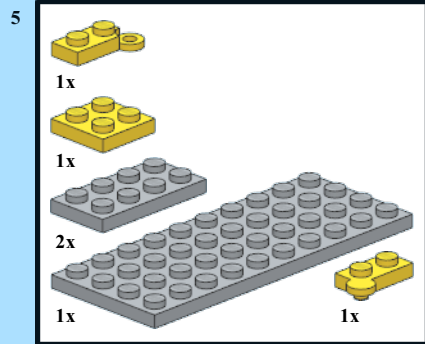


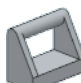
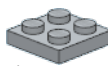

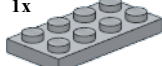
Designed by
Ole Olsen

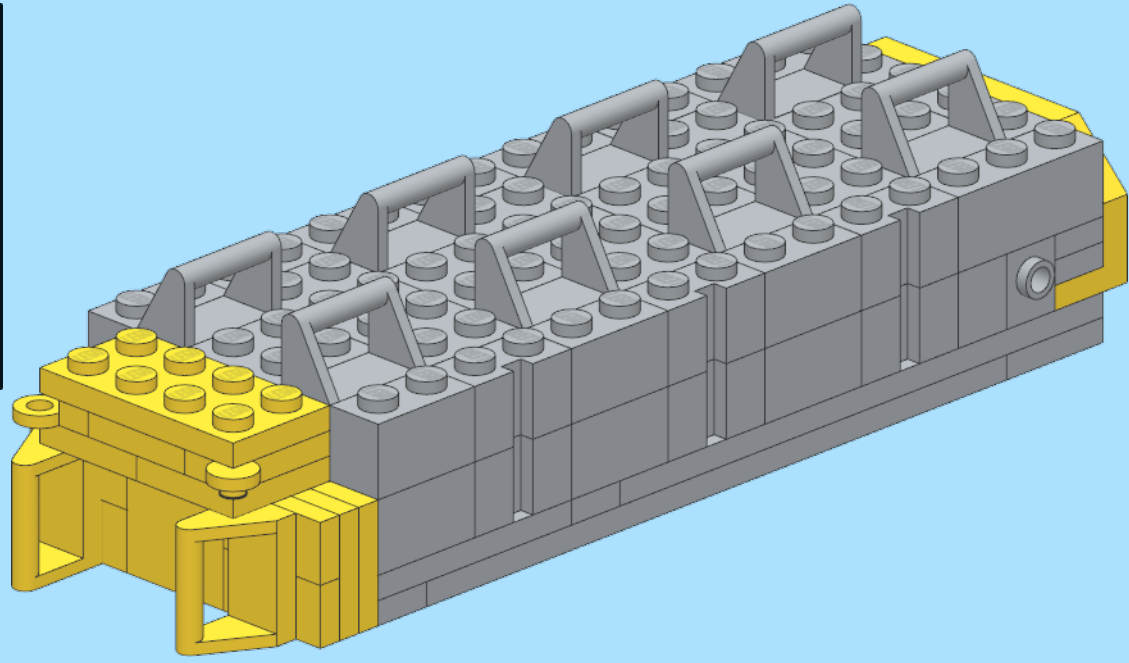
INSTRUCTION BY
KNUD ALBRECHTSEN
www.snakebyte.dk/lego




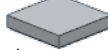
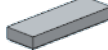
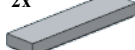


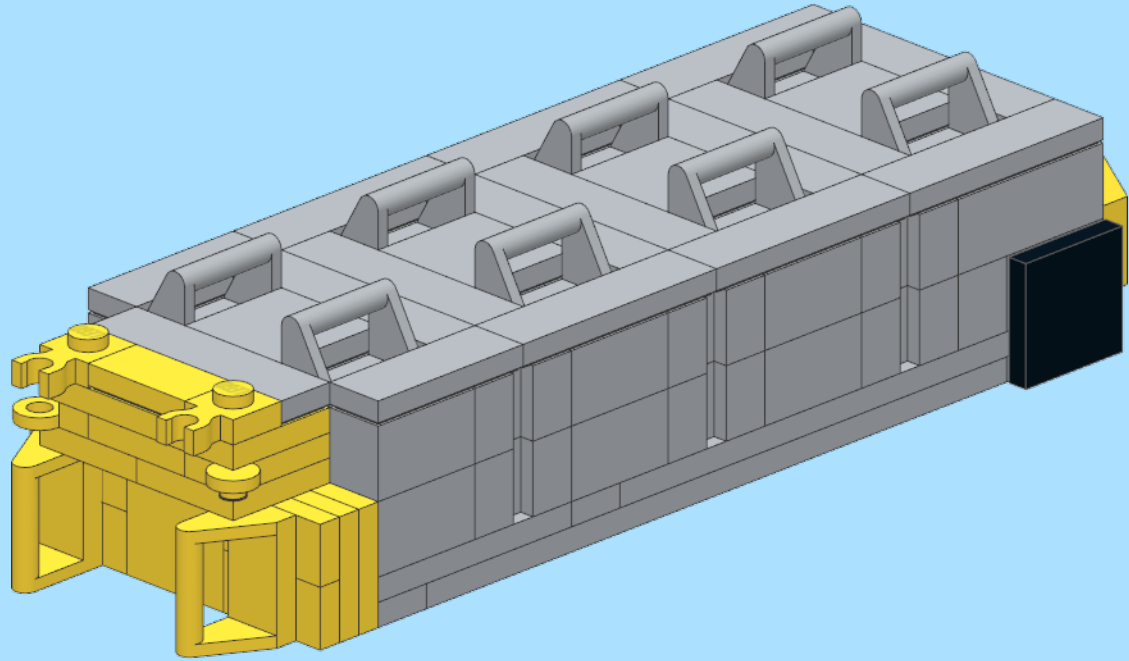


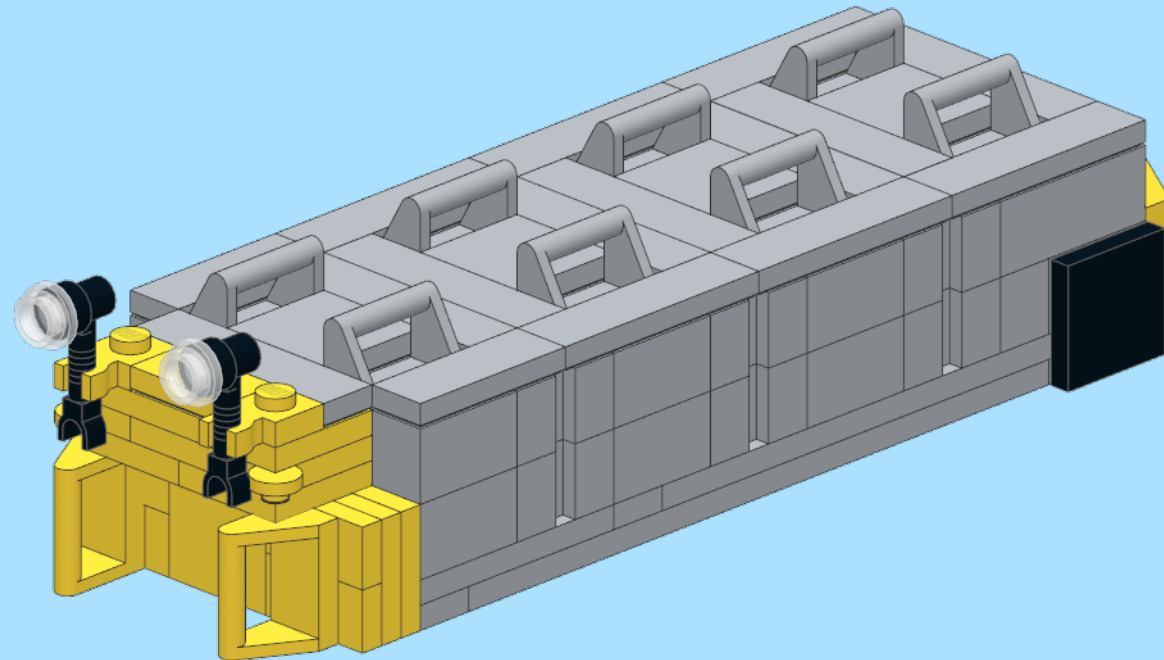


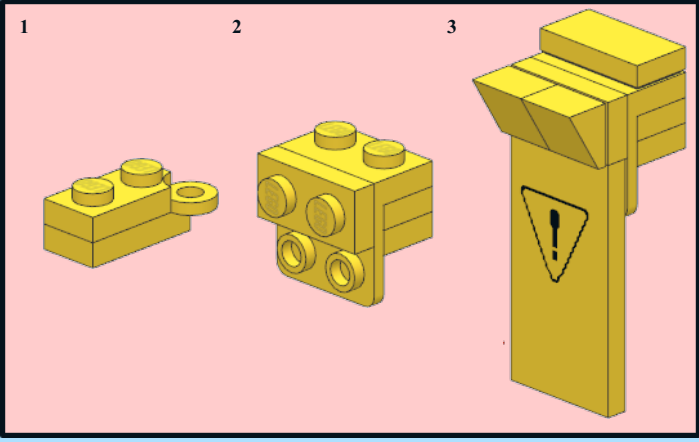
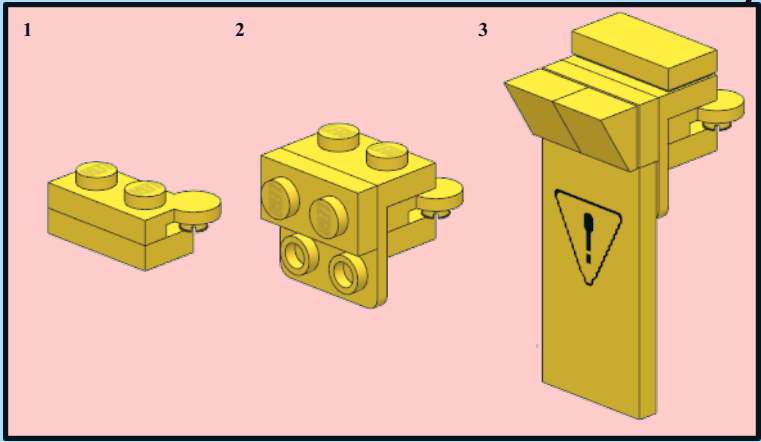
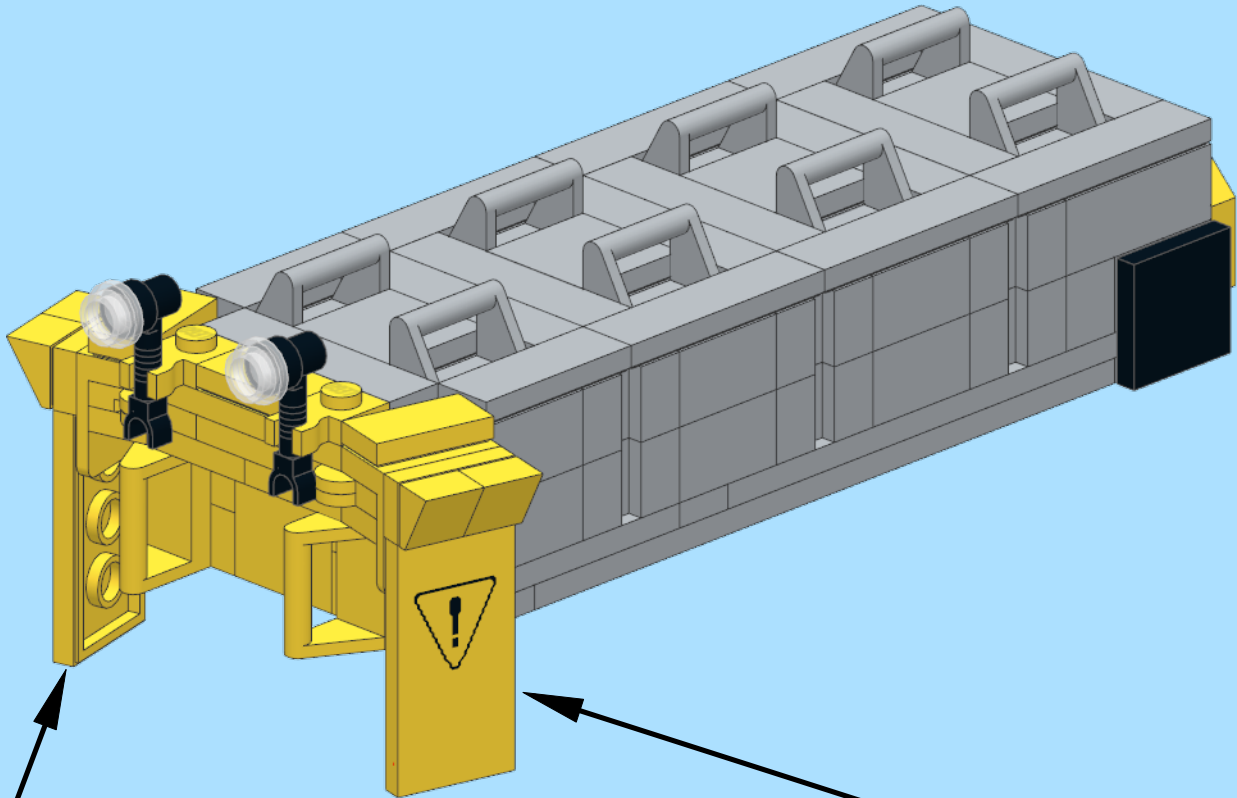
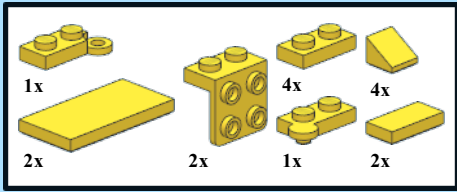
- 7
-  8x
 -  4x
 -  1x
 -  3x

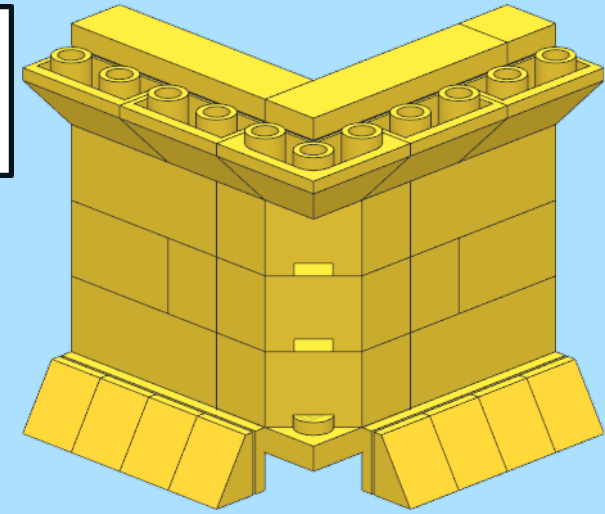
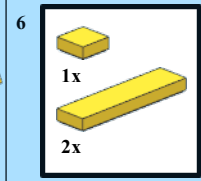
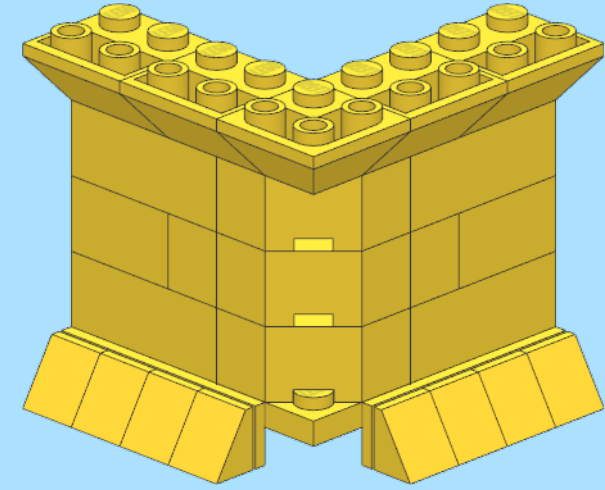
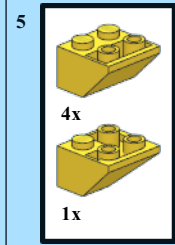
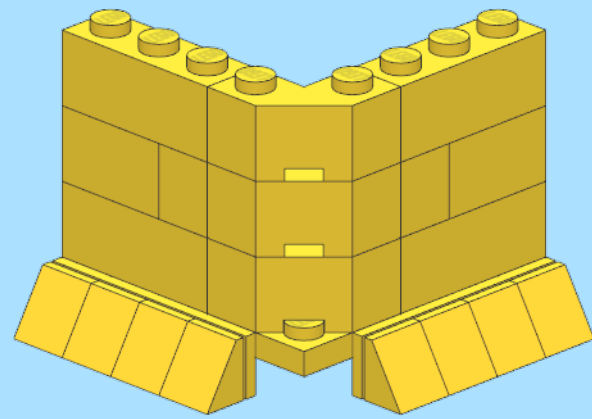
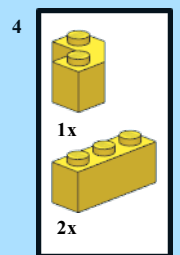
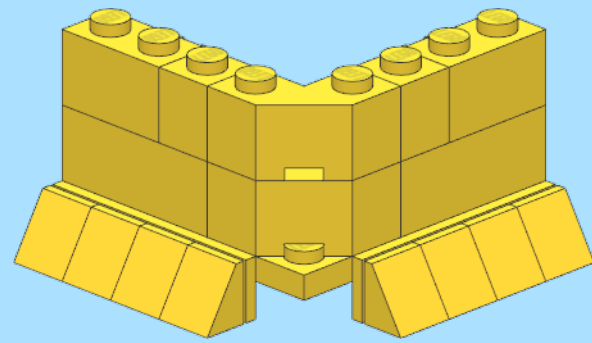
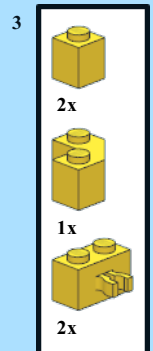
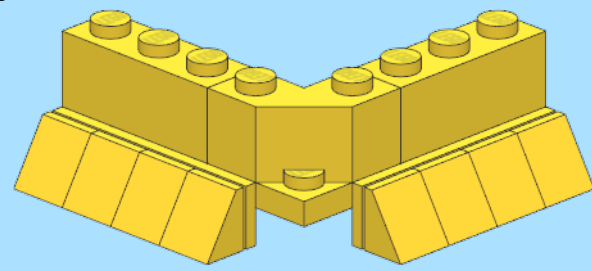
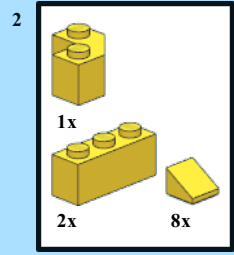
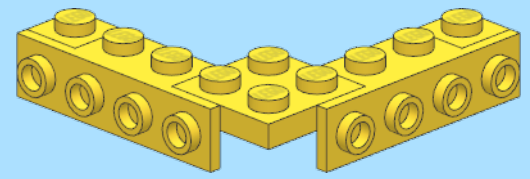
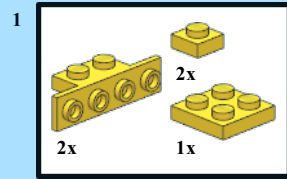


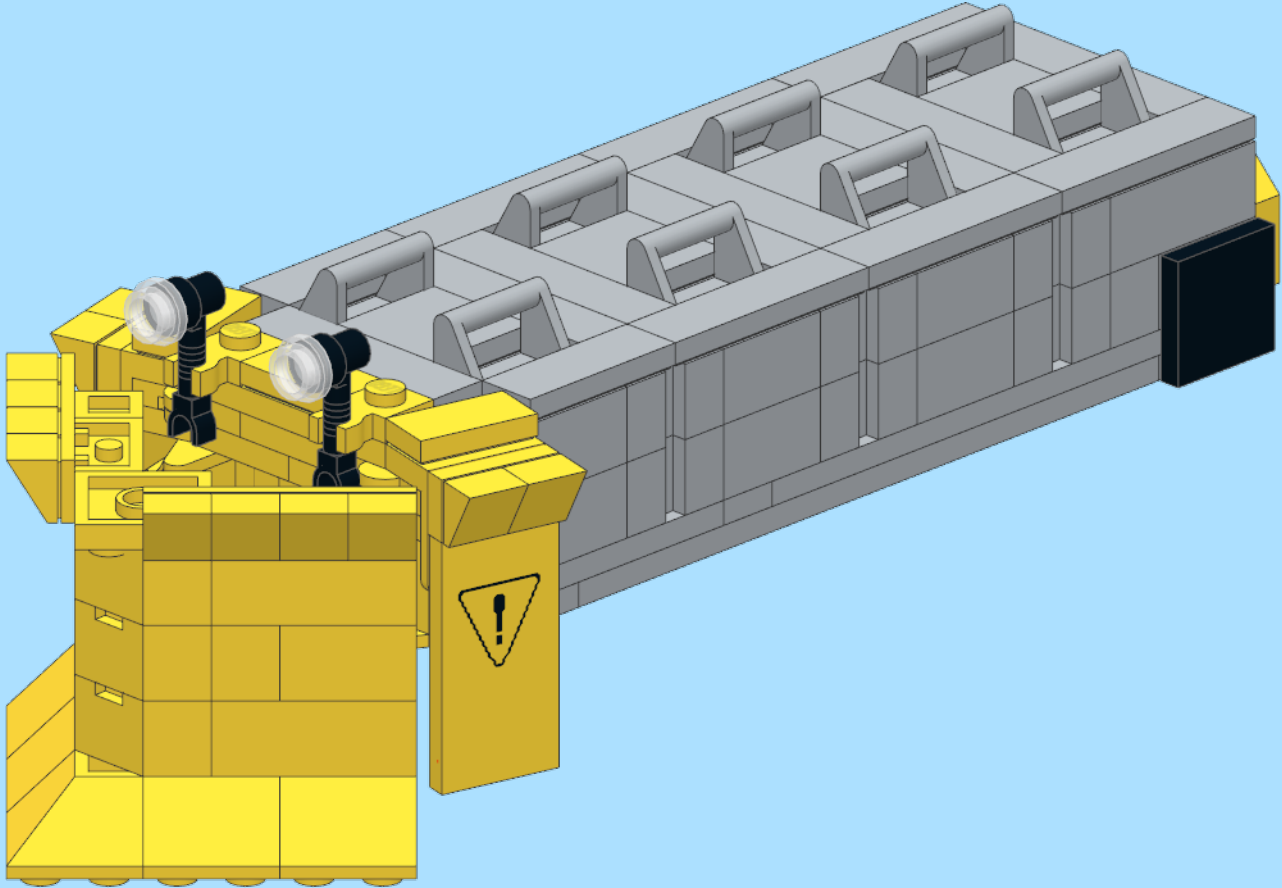
- 8
-  2x
 -  1x
 -  1x
 -  4x
 -  2x
 -  14x



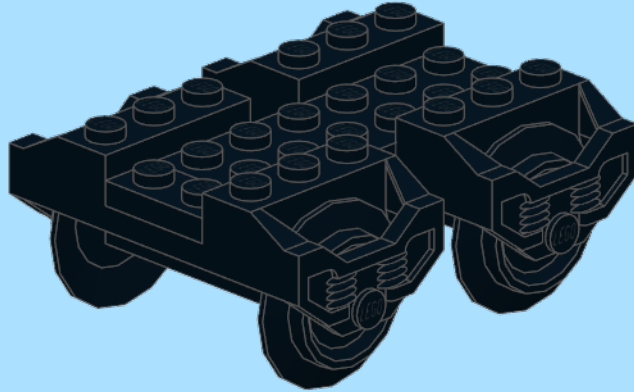
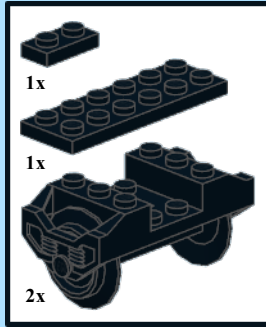




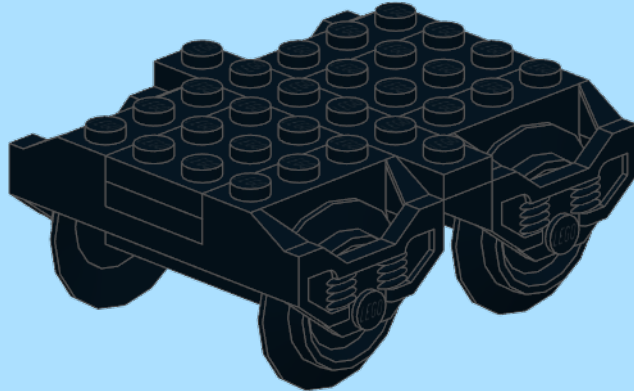
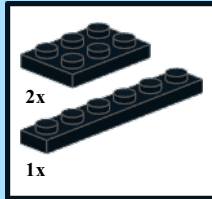




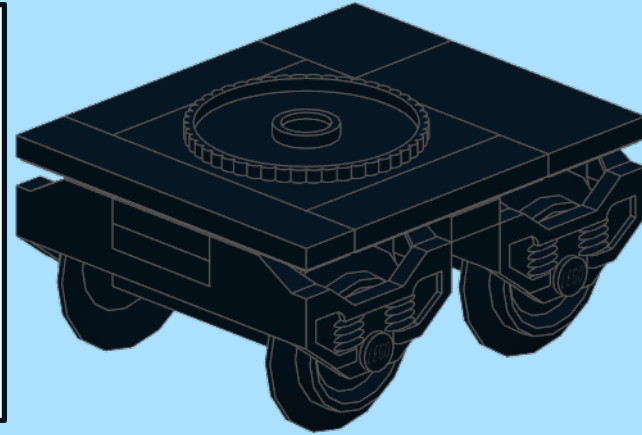
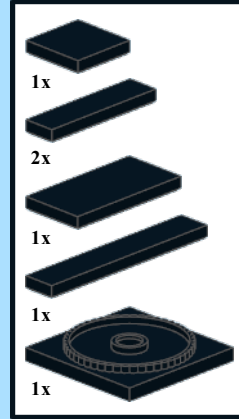
1



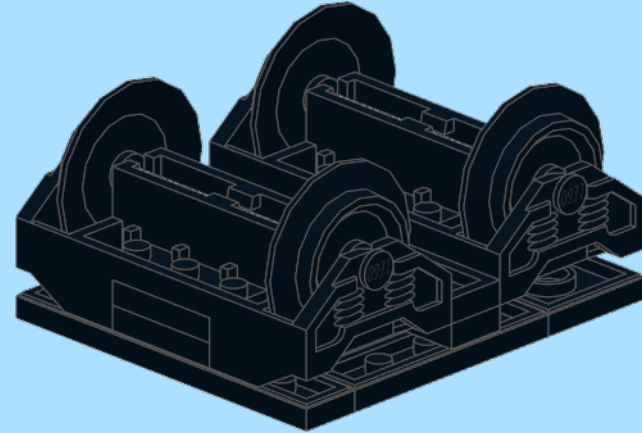
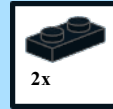
2



3



4



5

