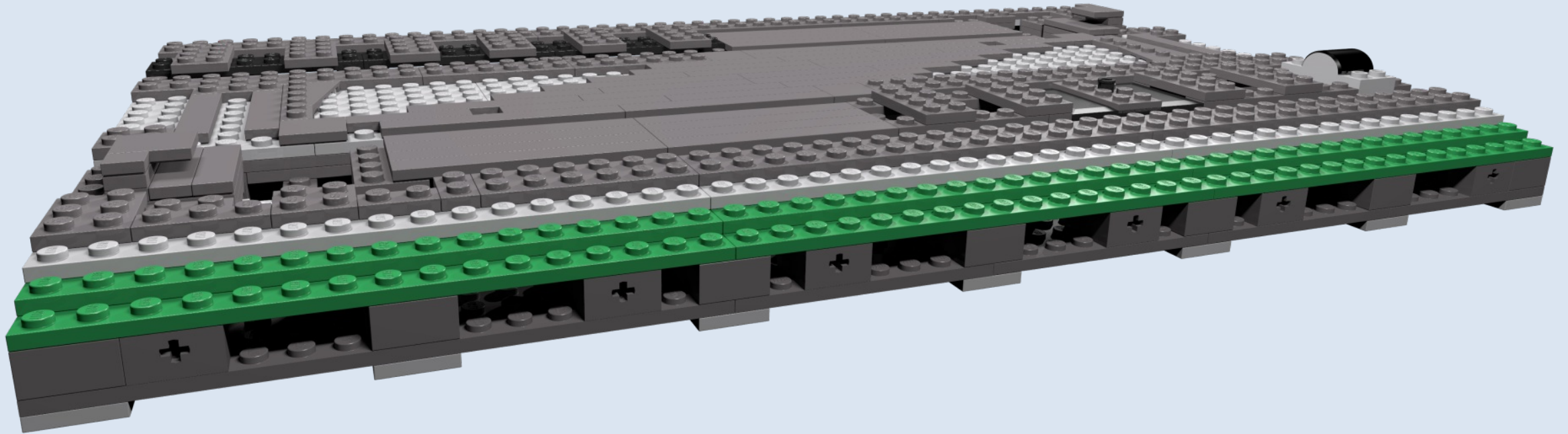
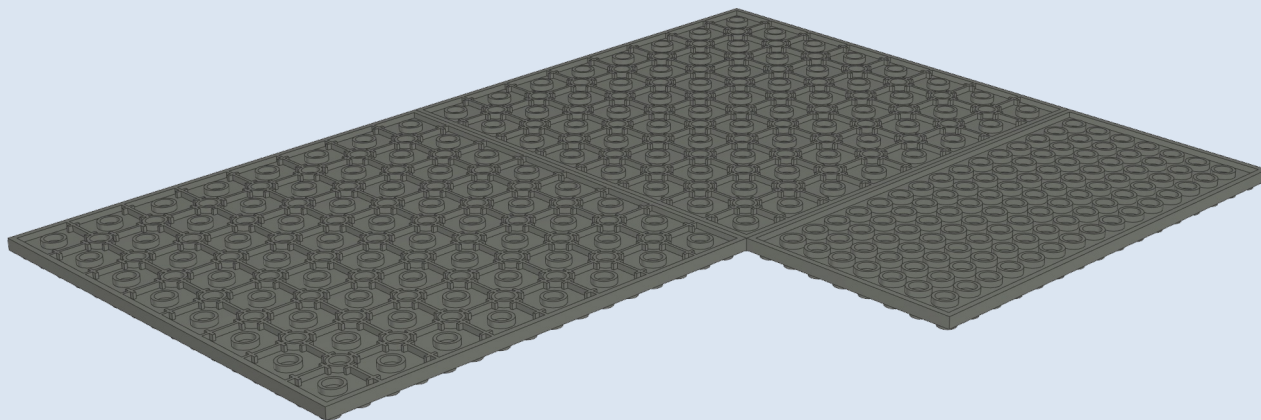
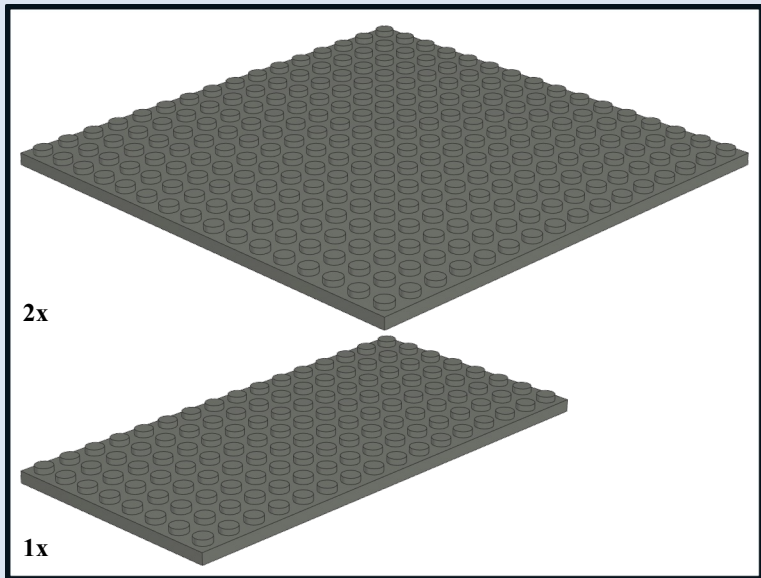


Moduverse Motorized Crossing

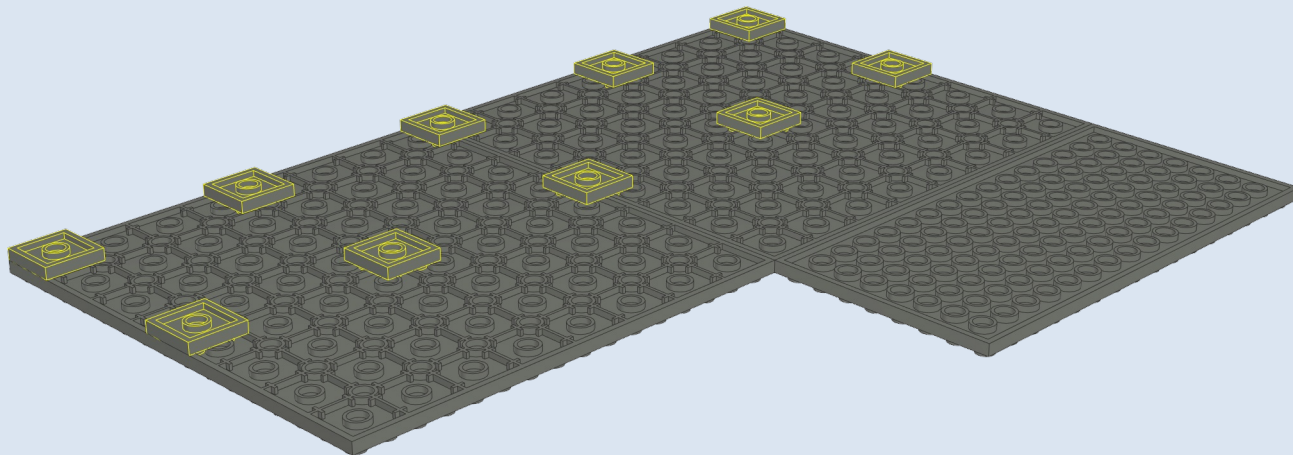


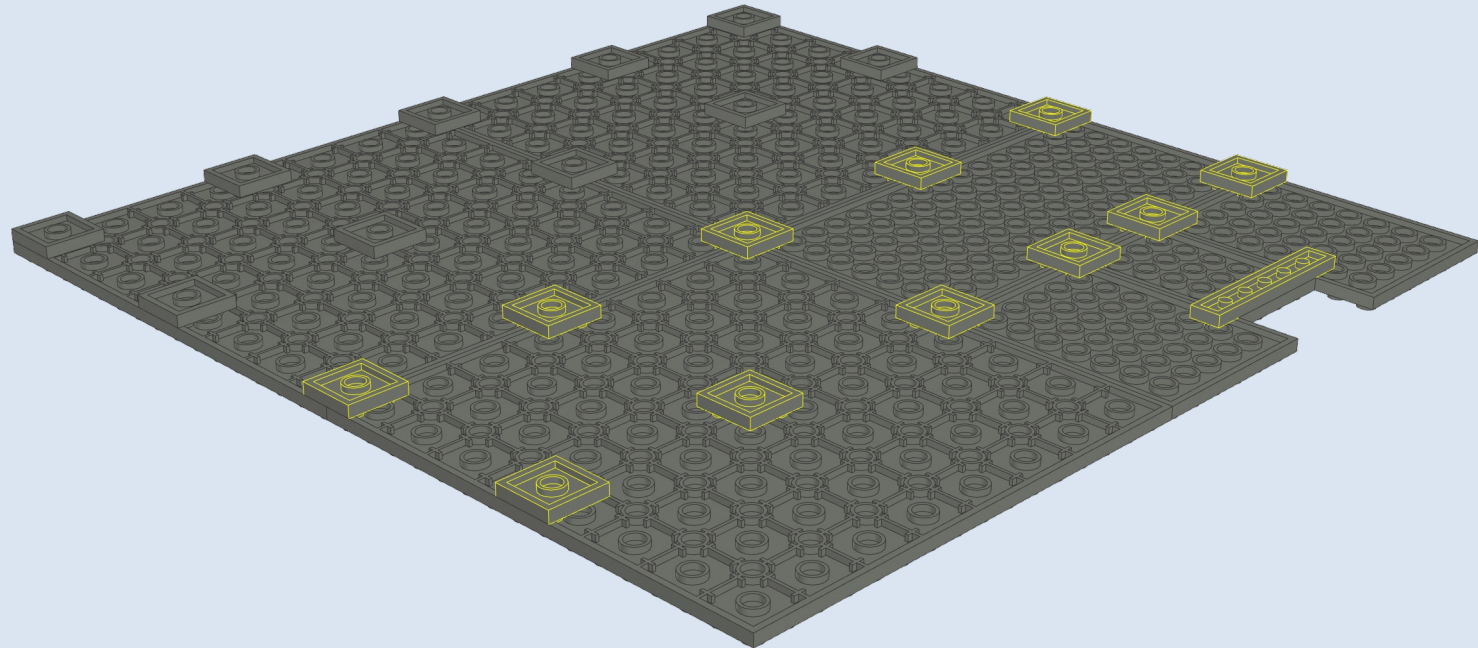
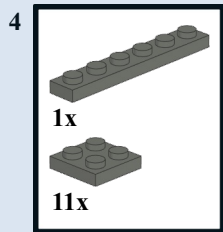
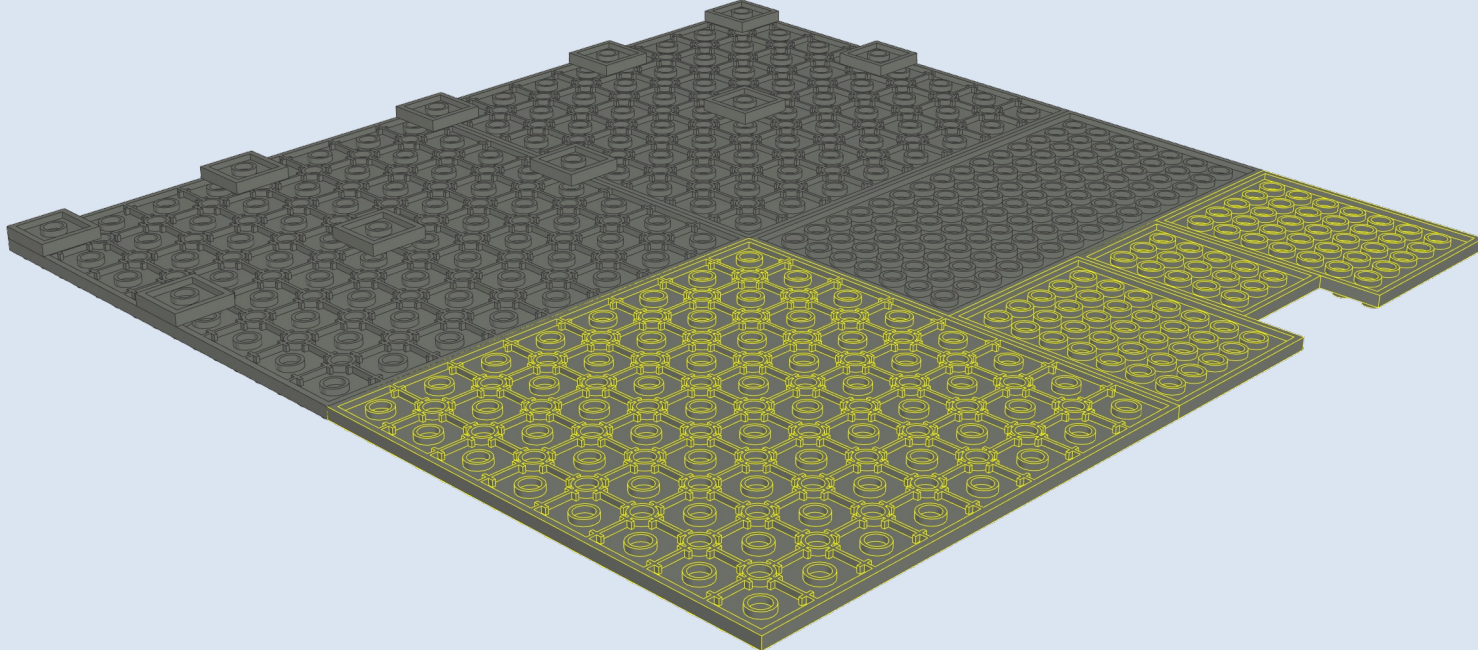
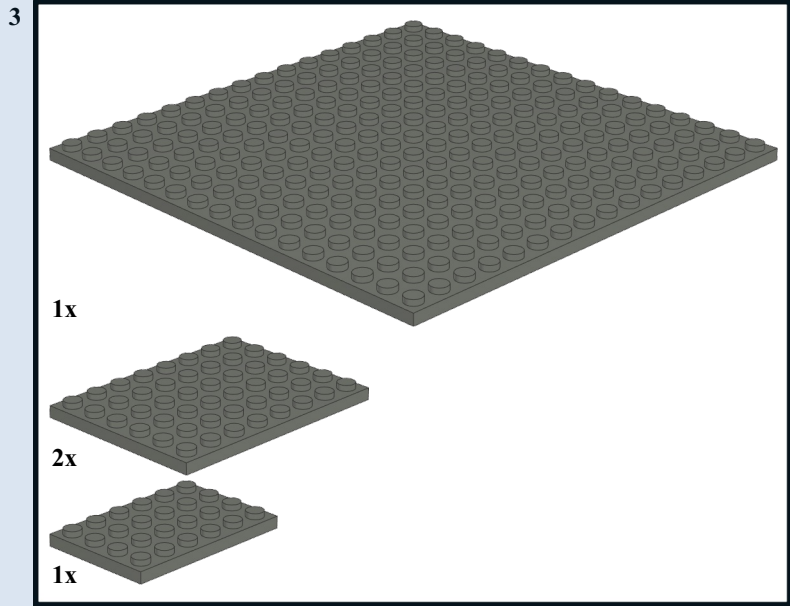
Based on the Moduverse Standard by the LEGO User Group in Finland Palikkatakomo

1

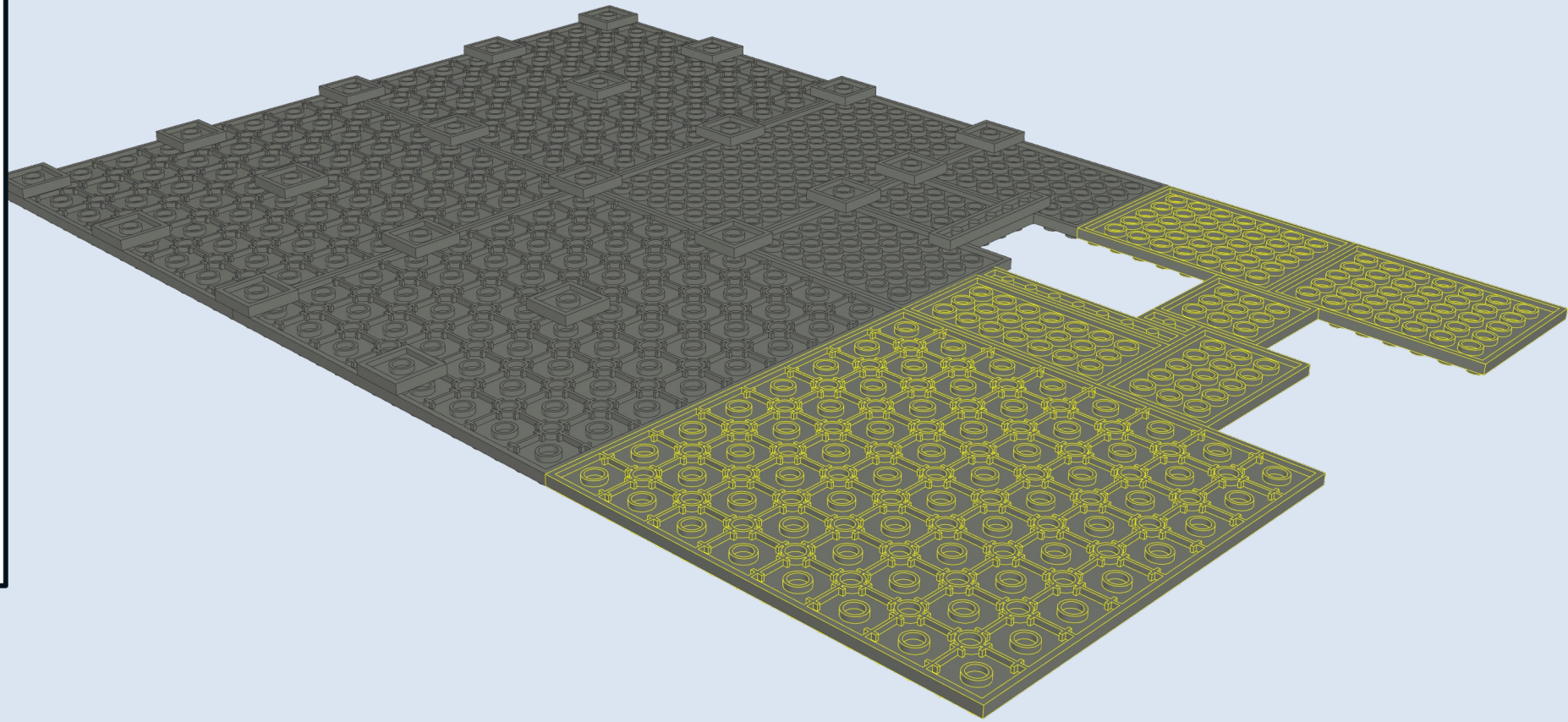
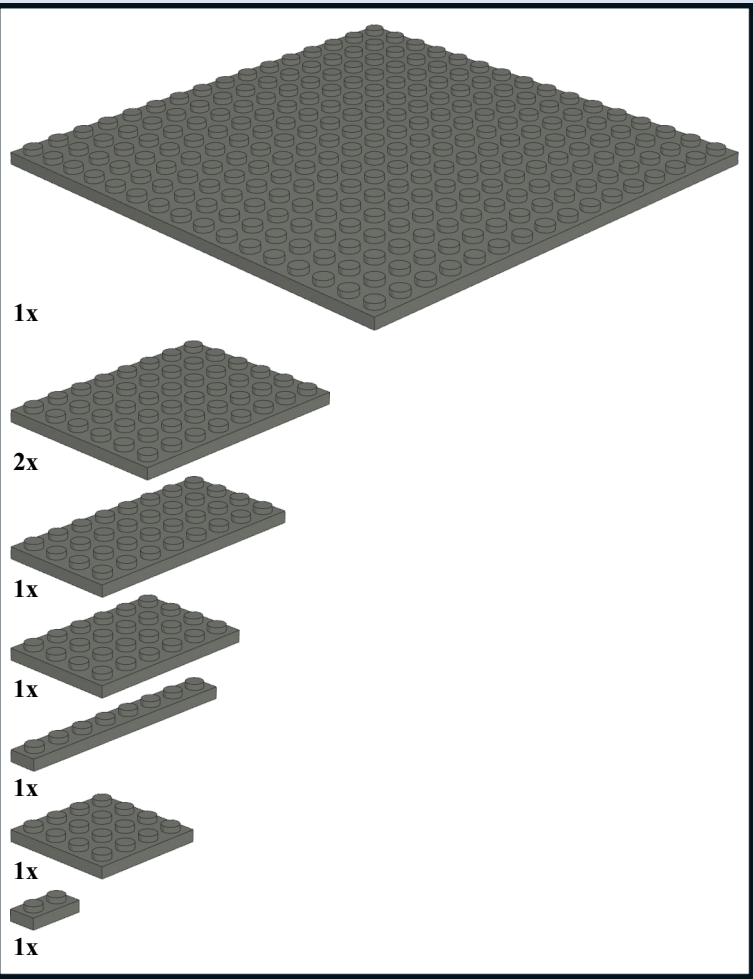


2

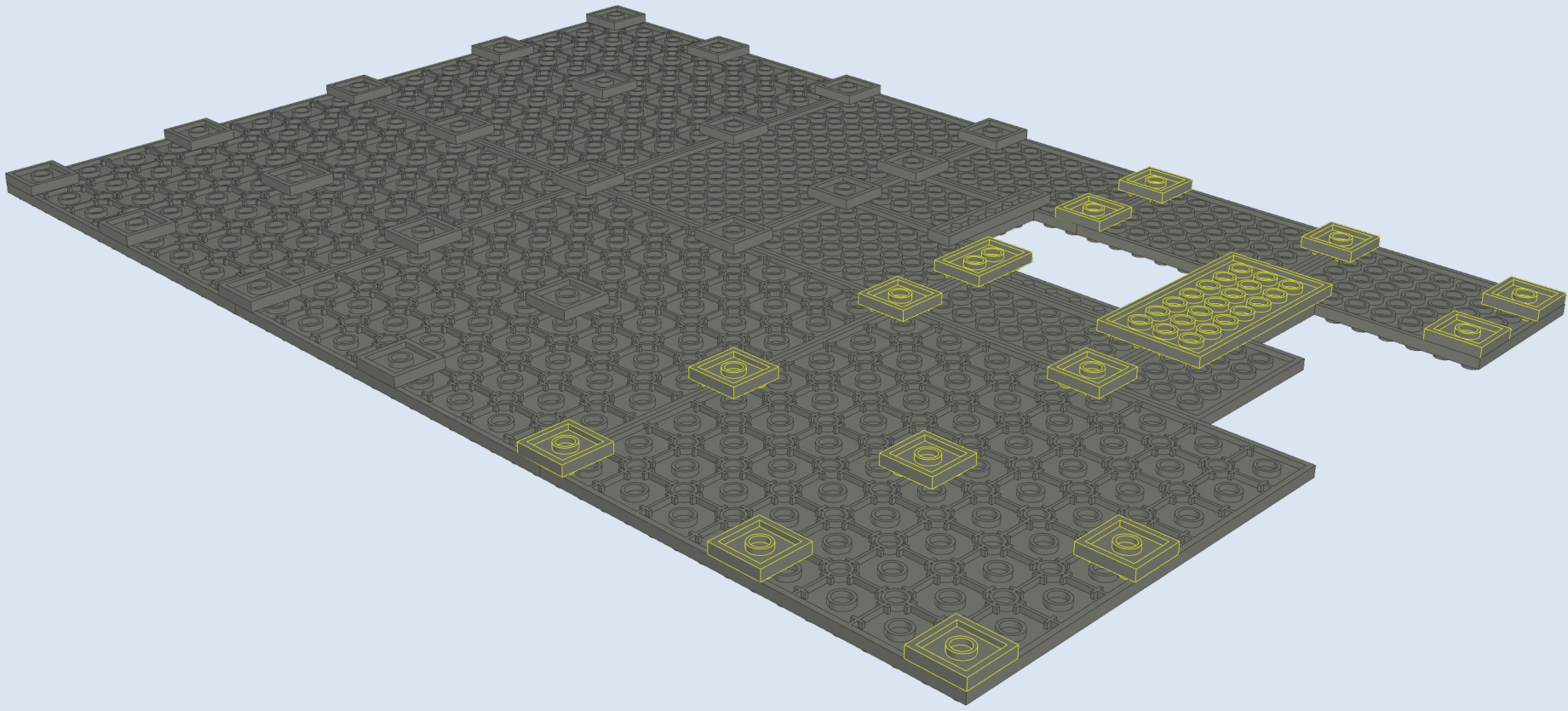
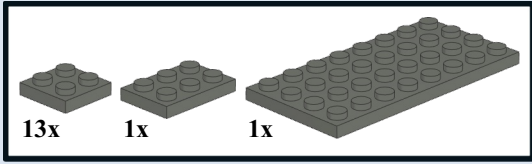




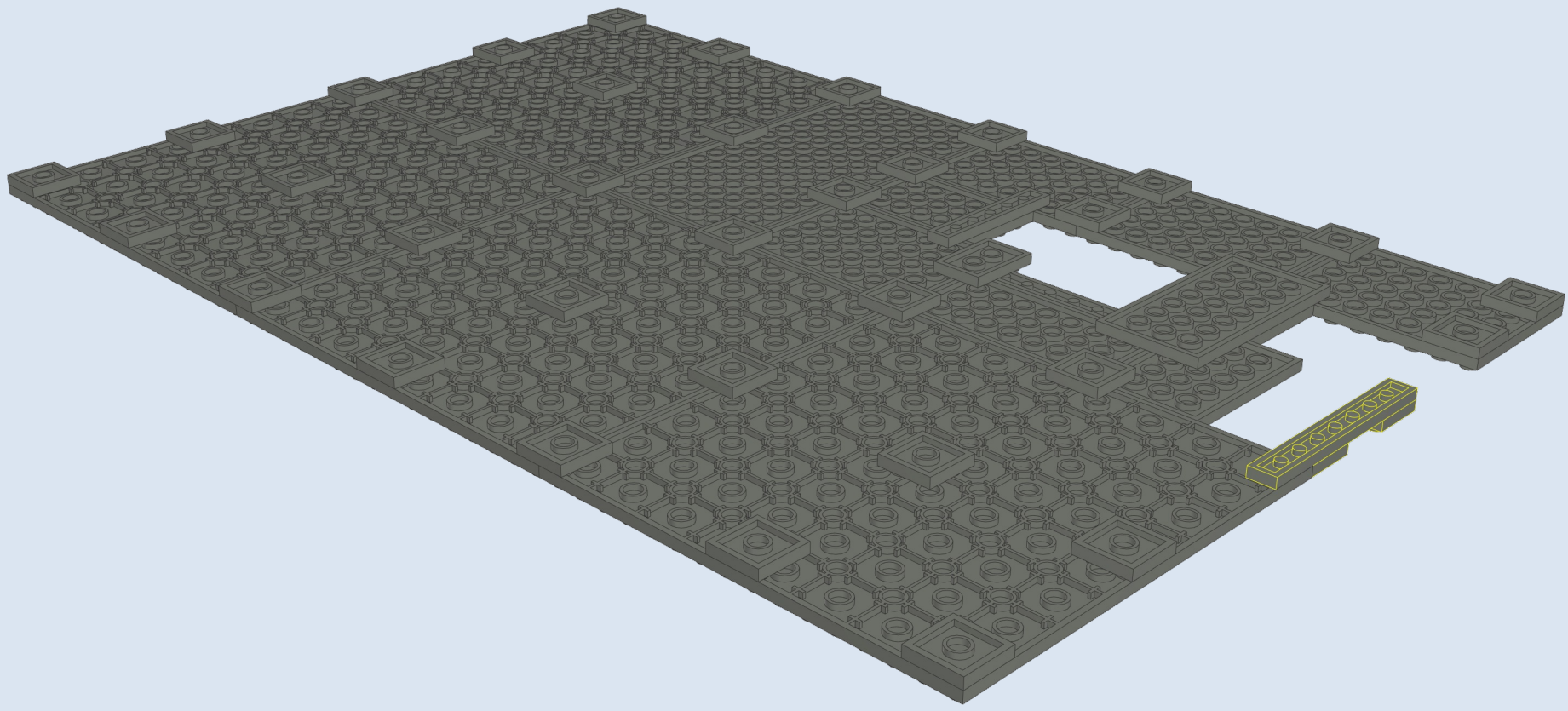
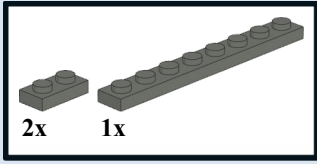
5



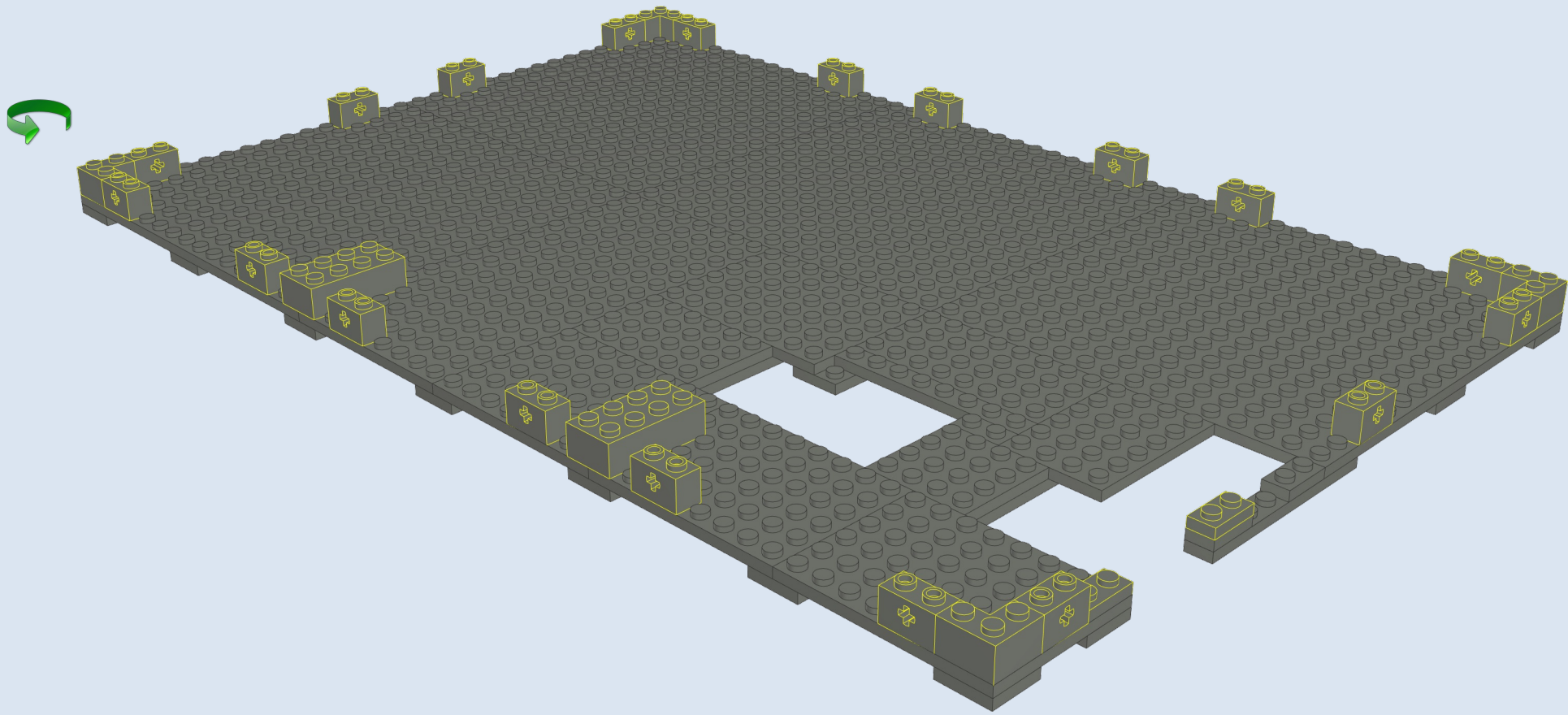
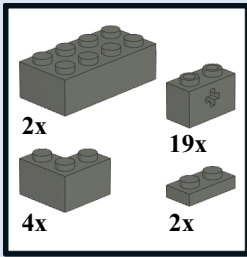
6



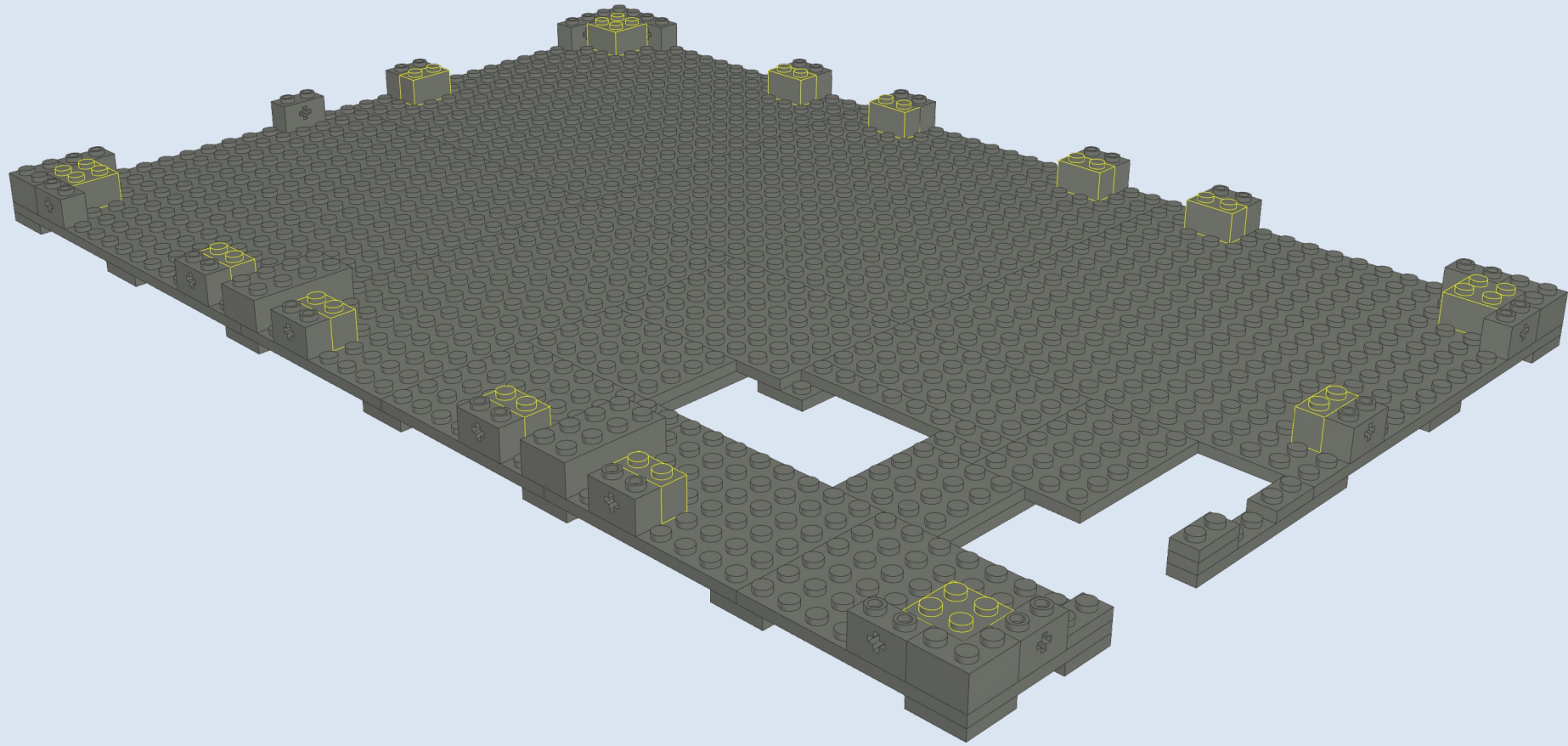
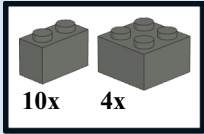
7



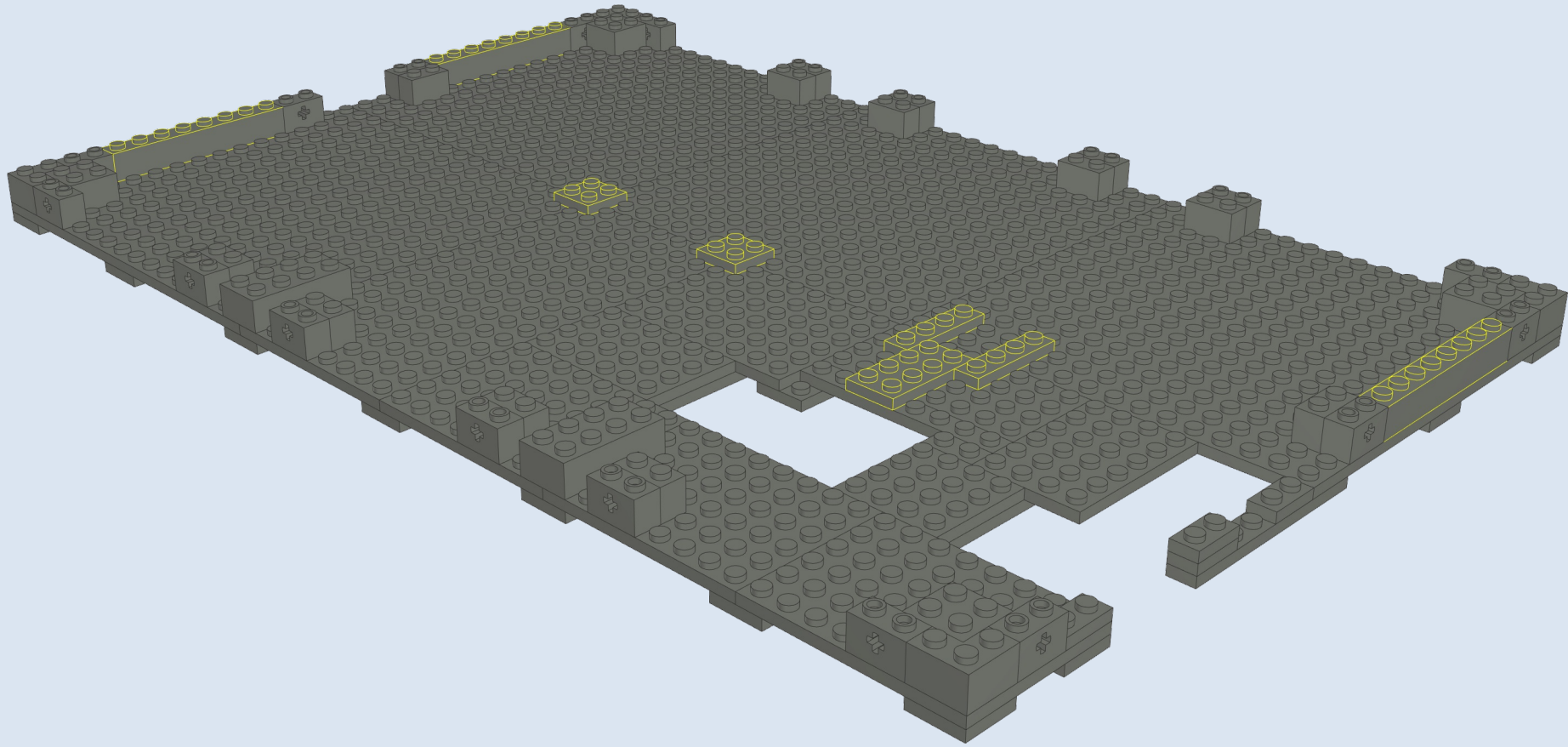
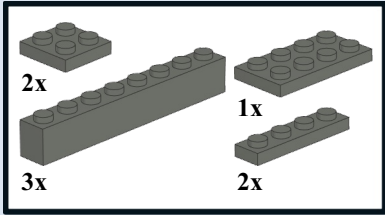
8

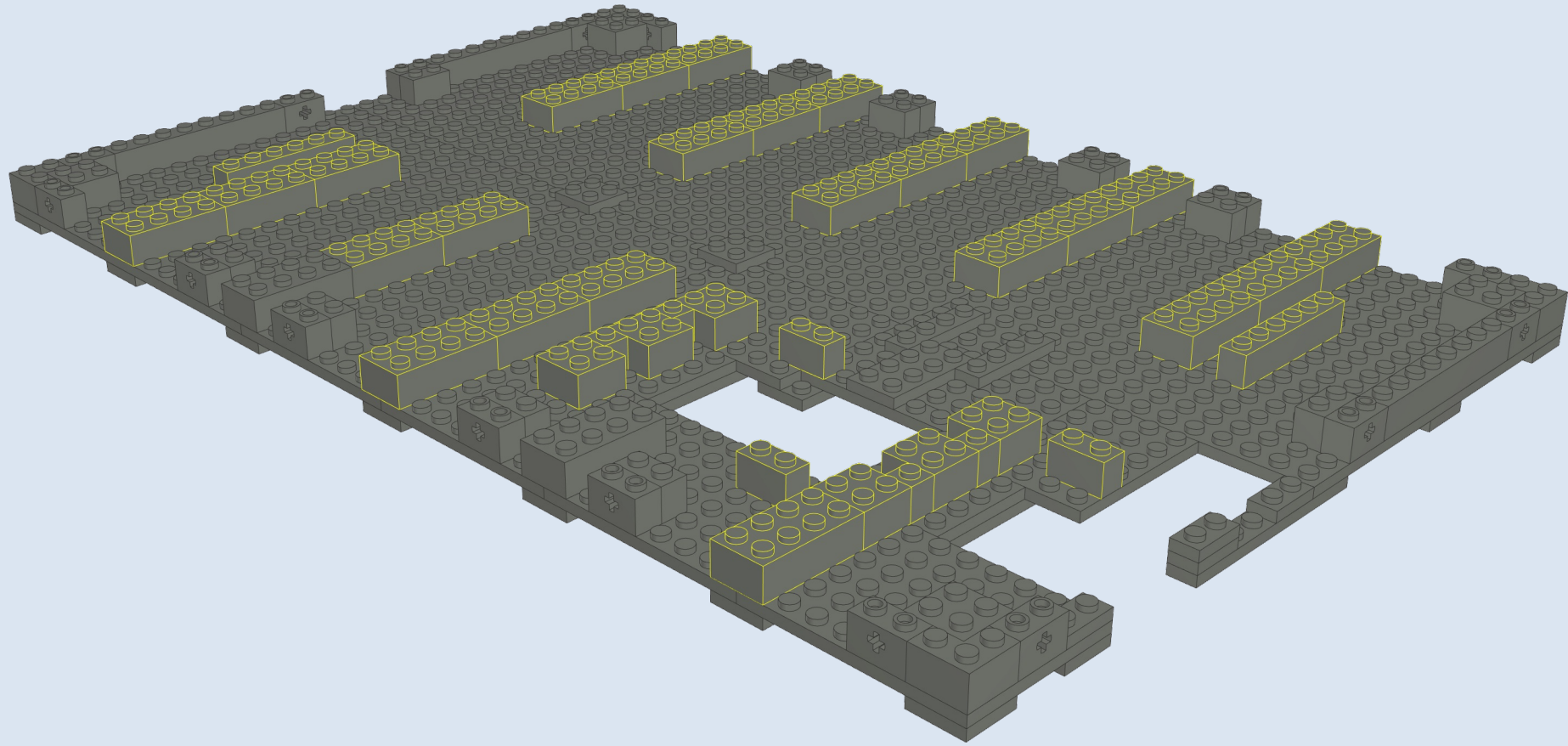
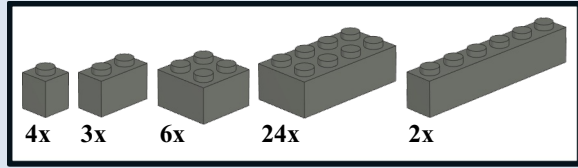


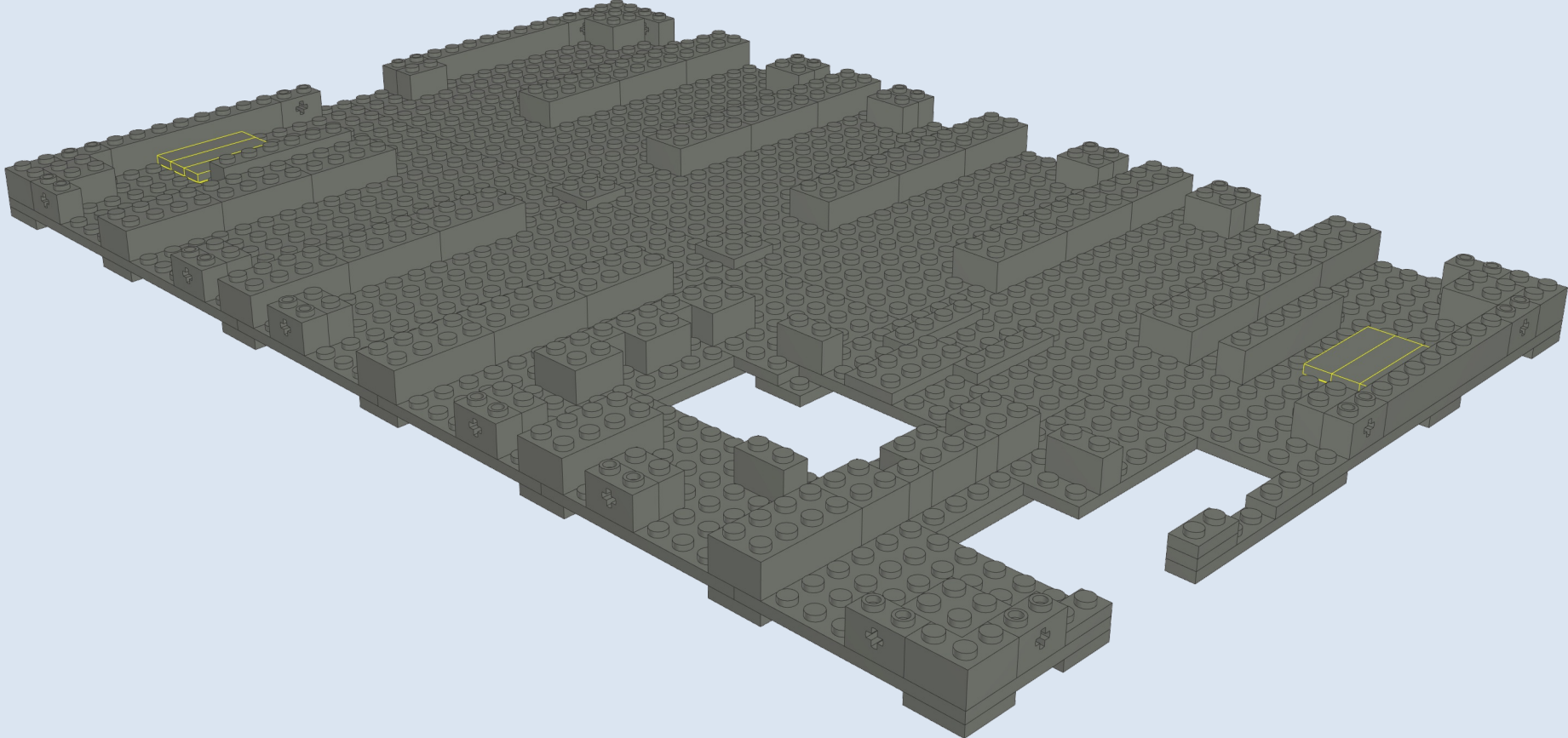
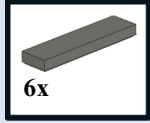
9

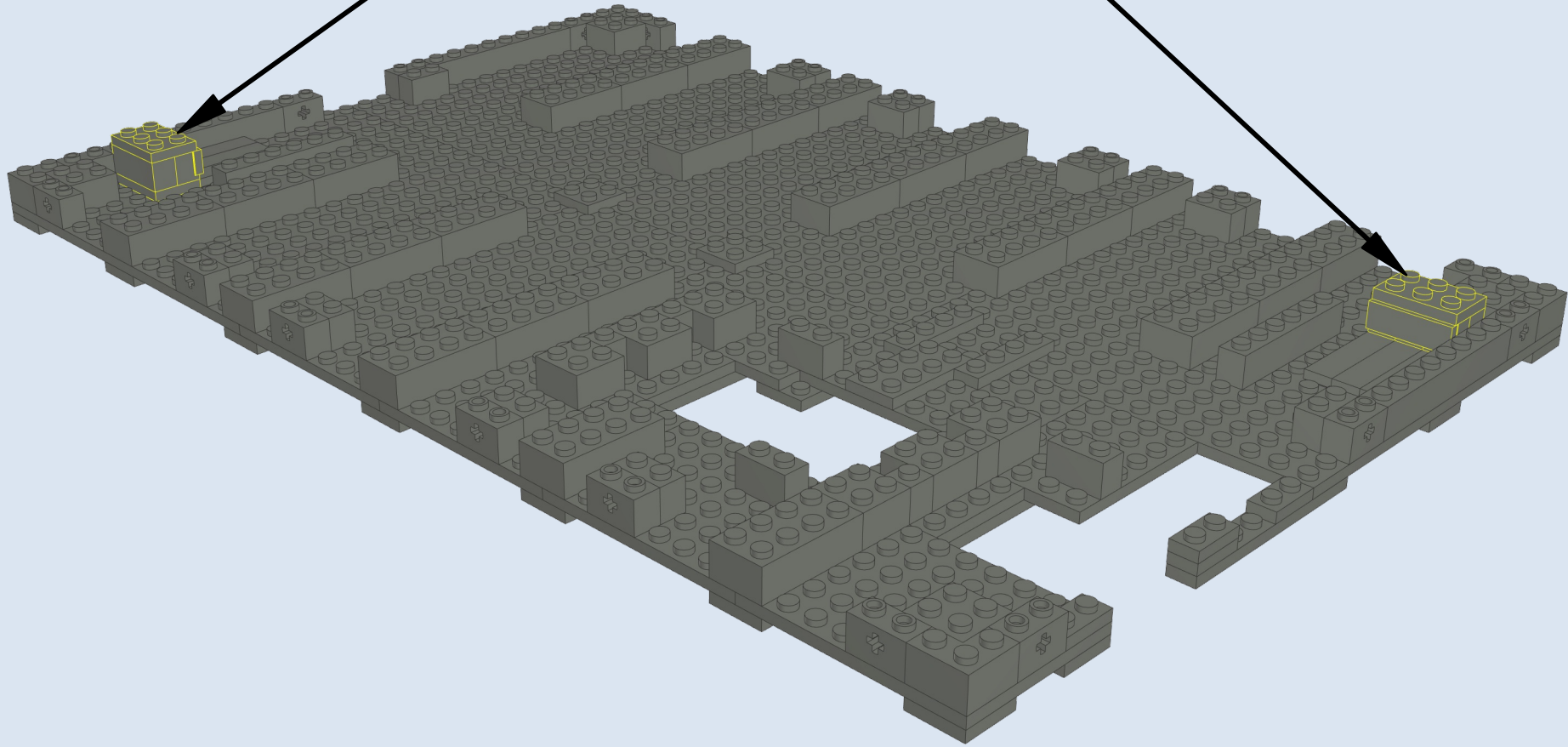
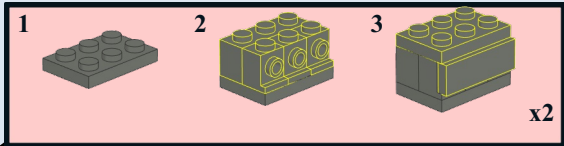
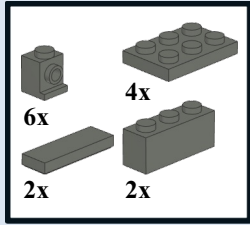


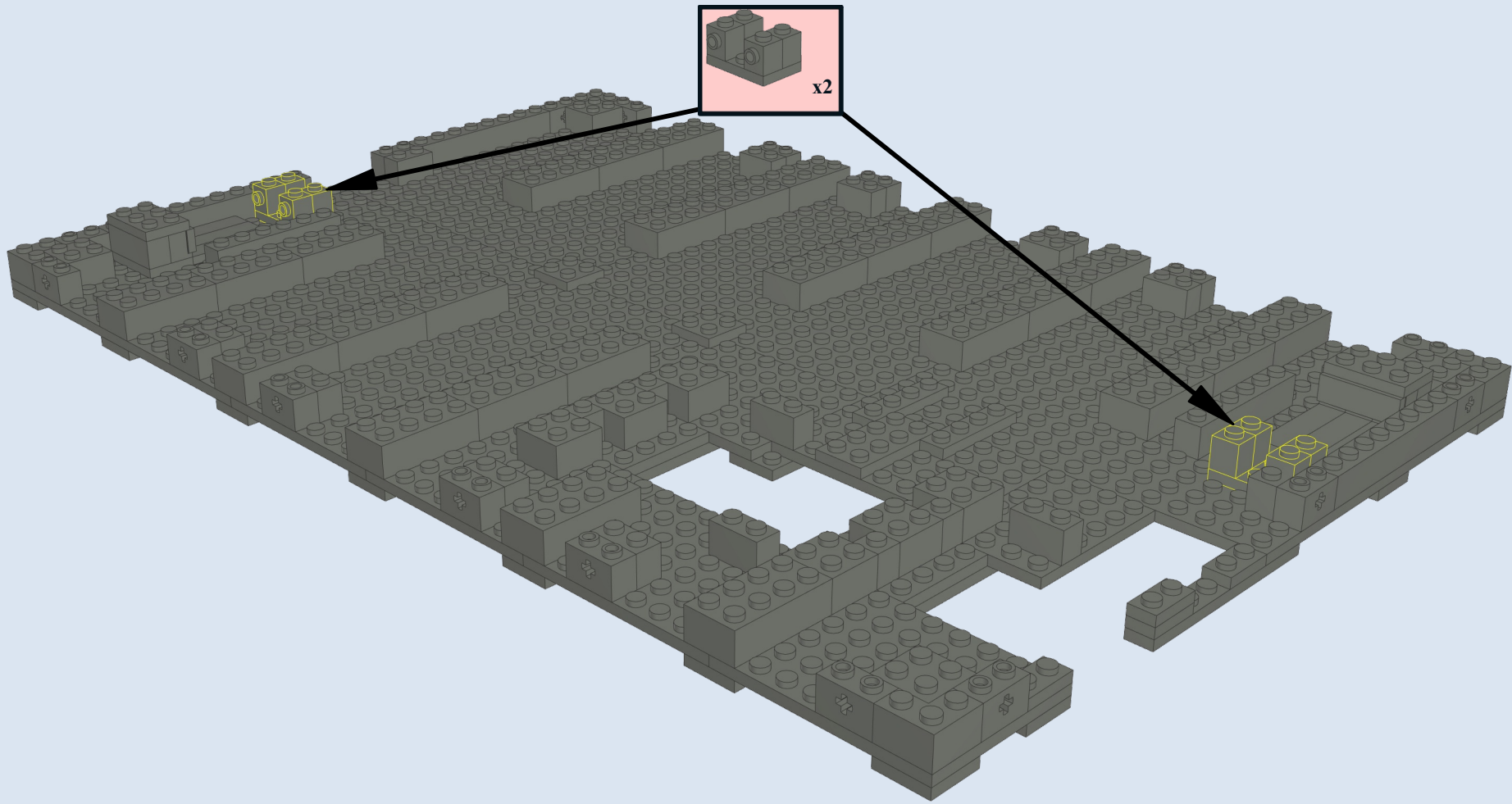
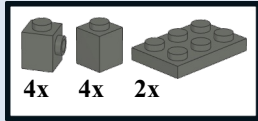
10

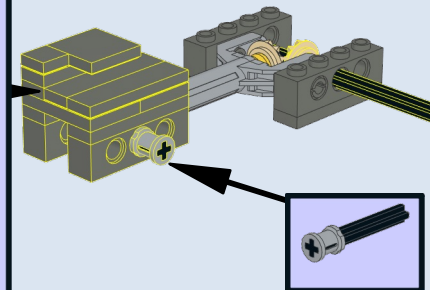
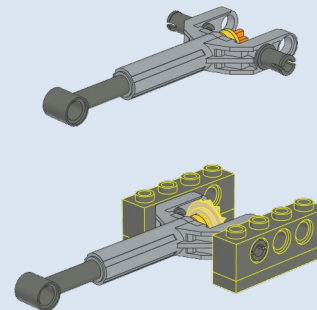
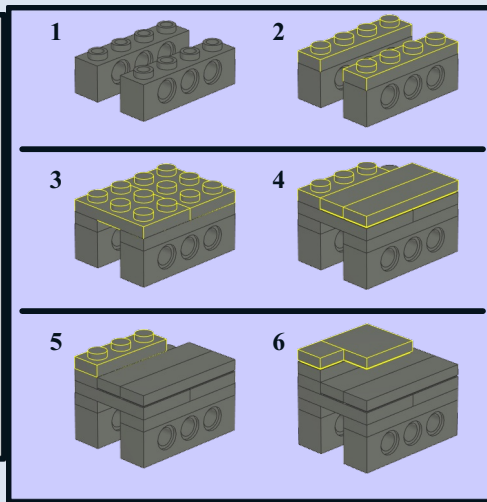
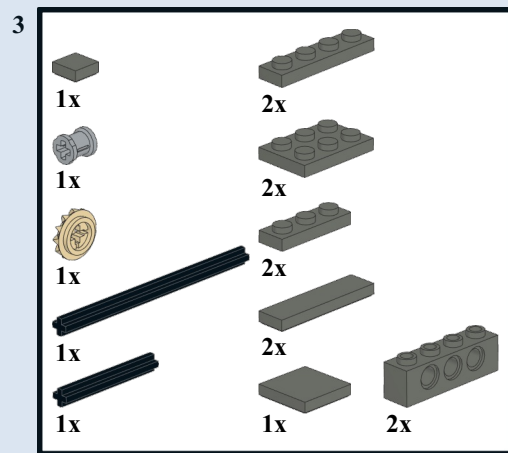
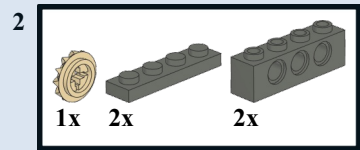
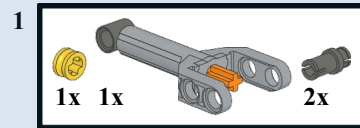


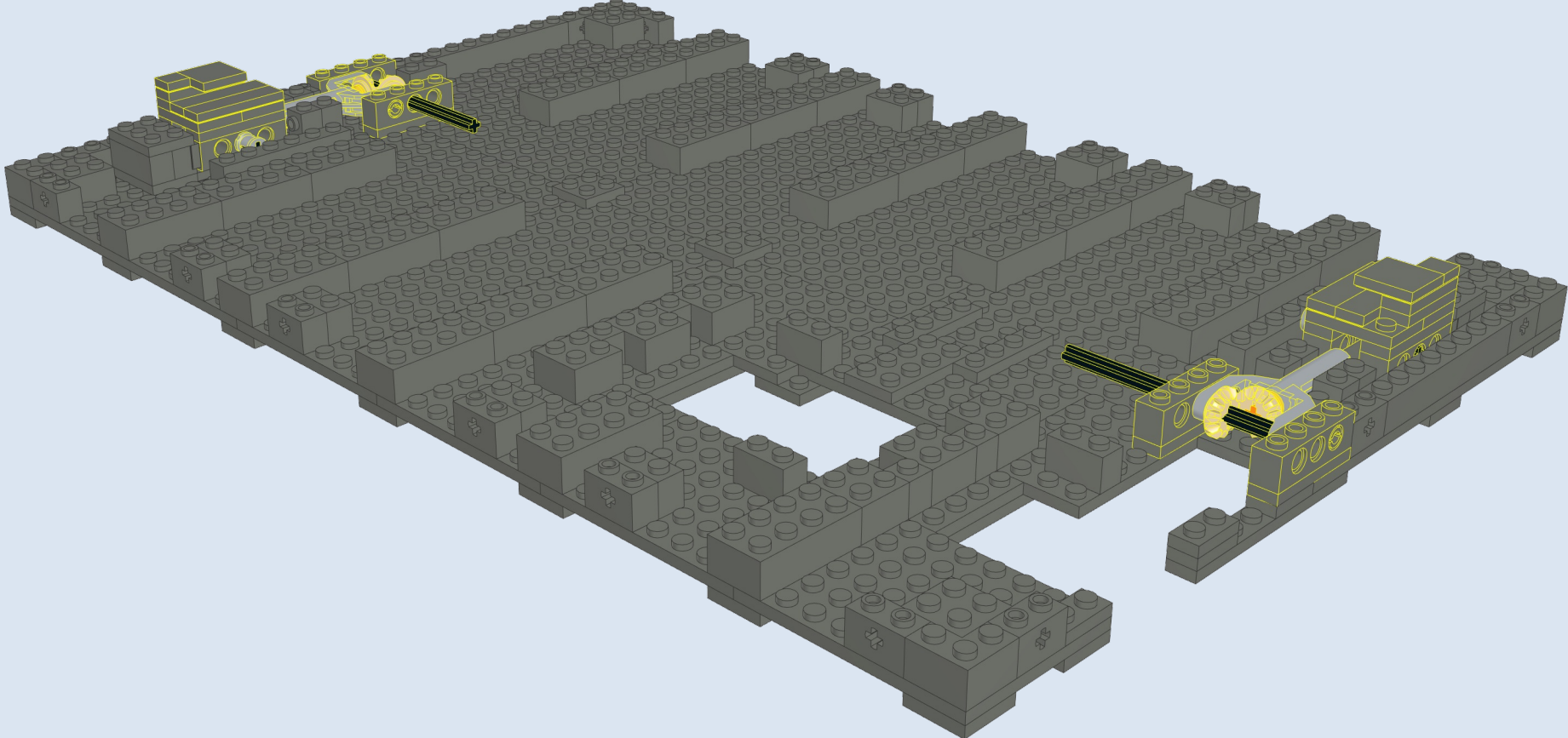


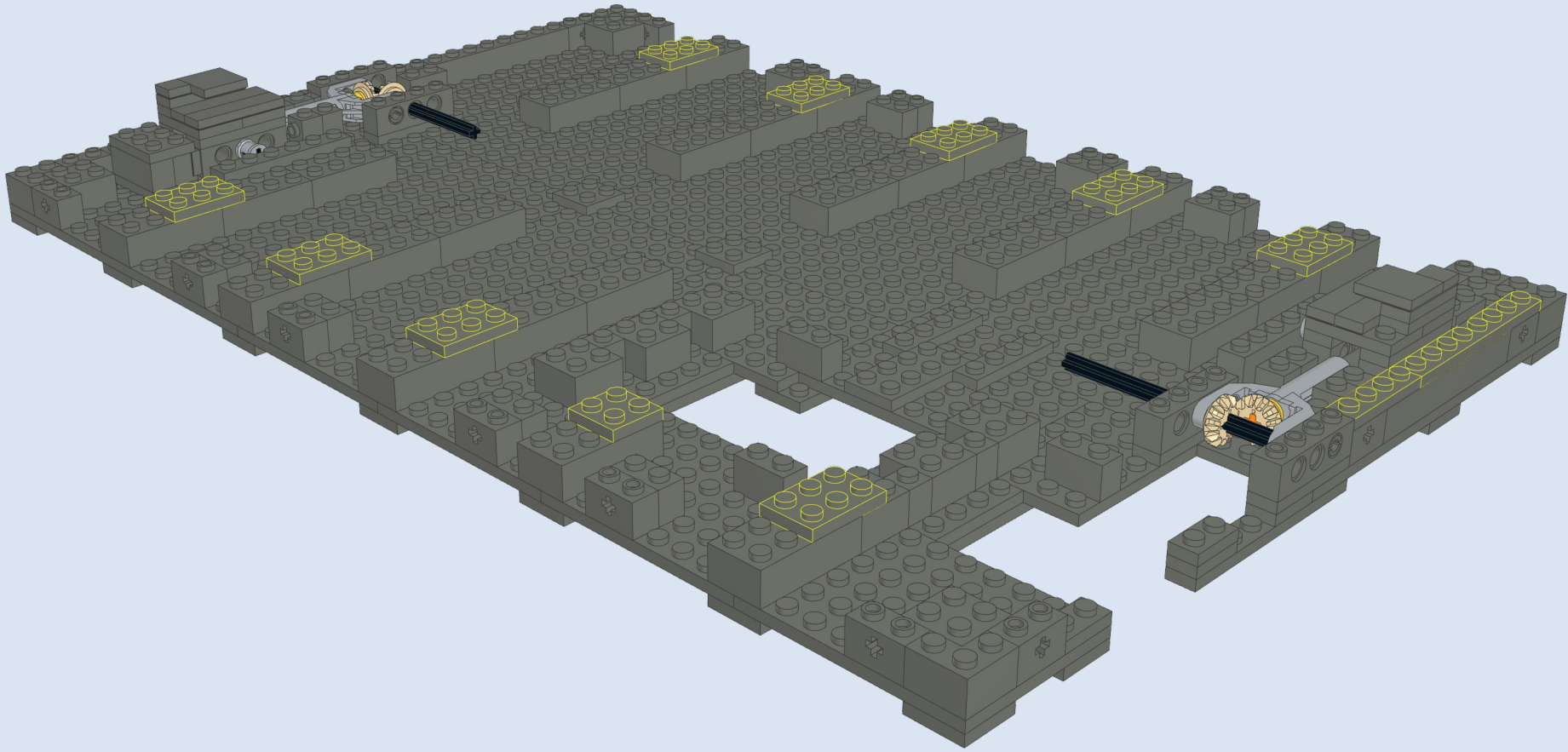
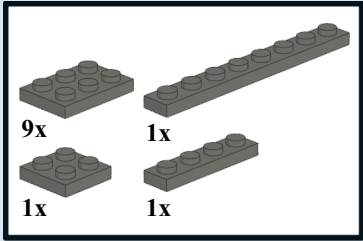


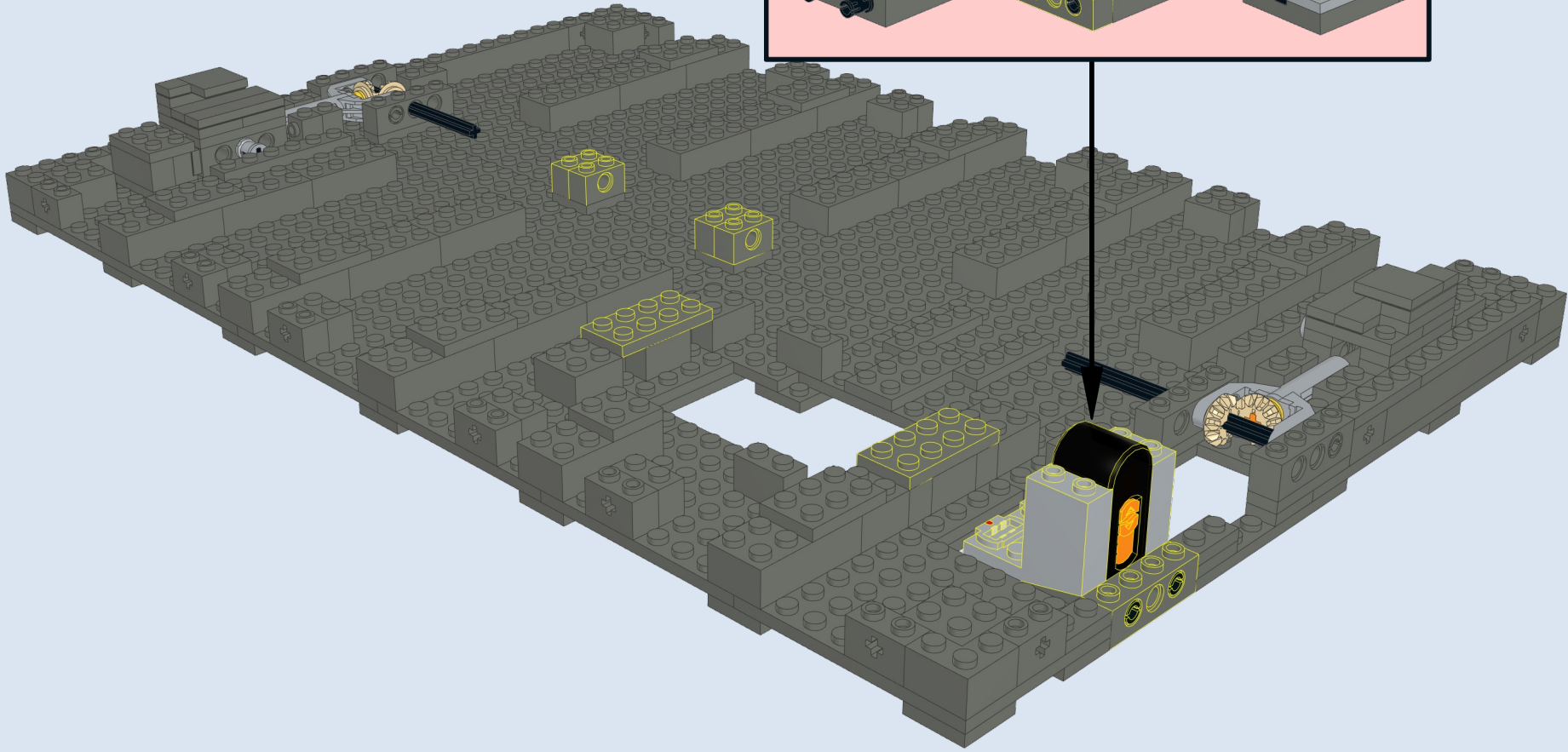
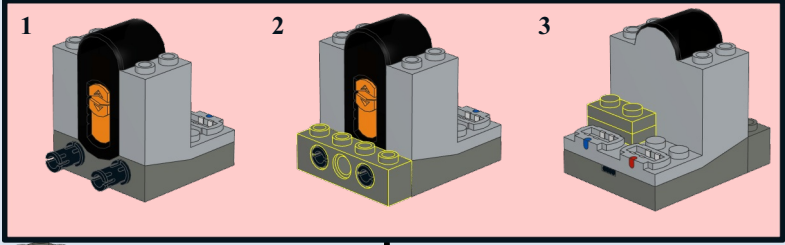
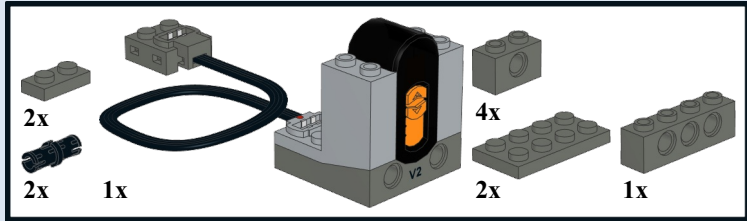


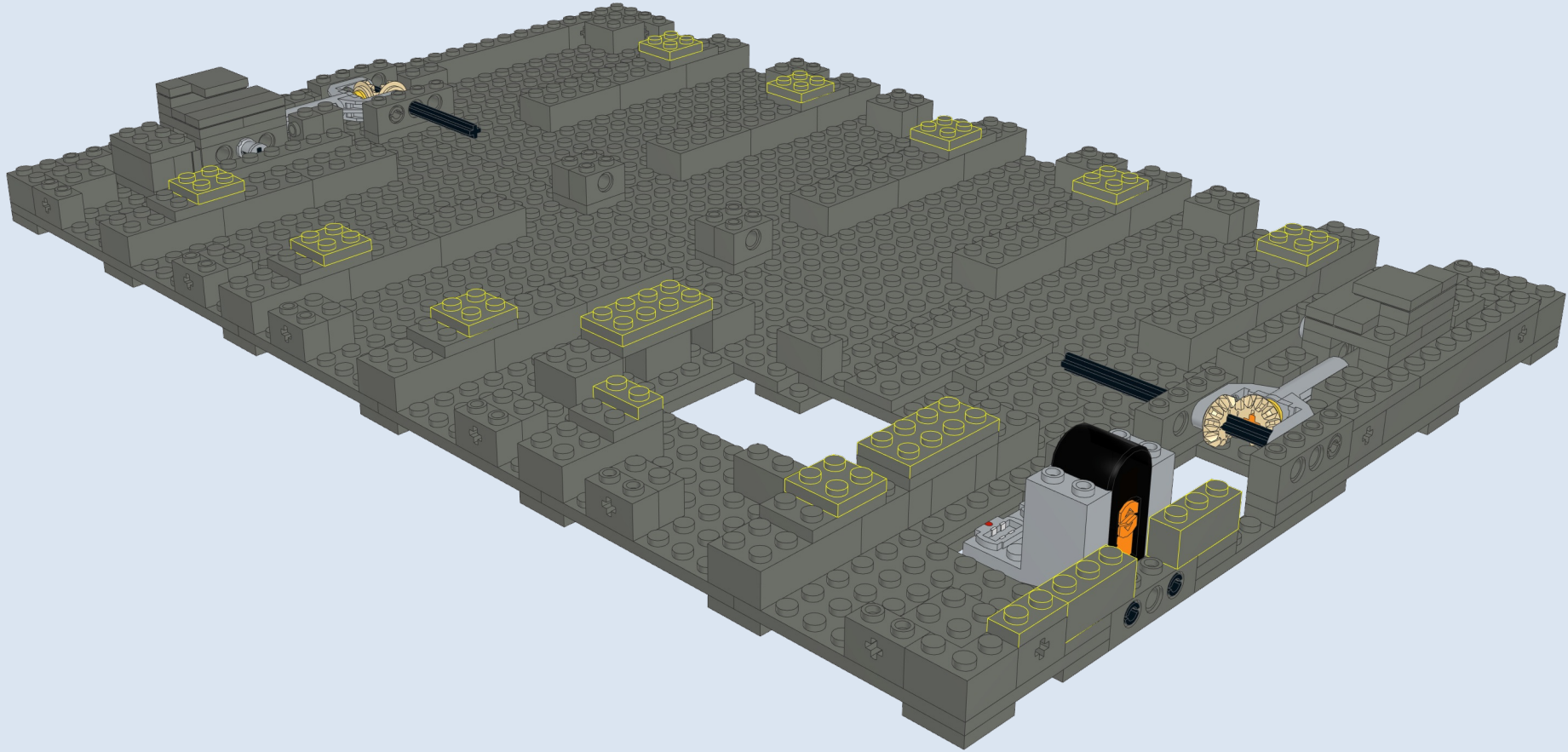
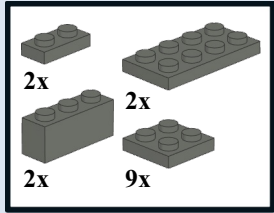


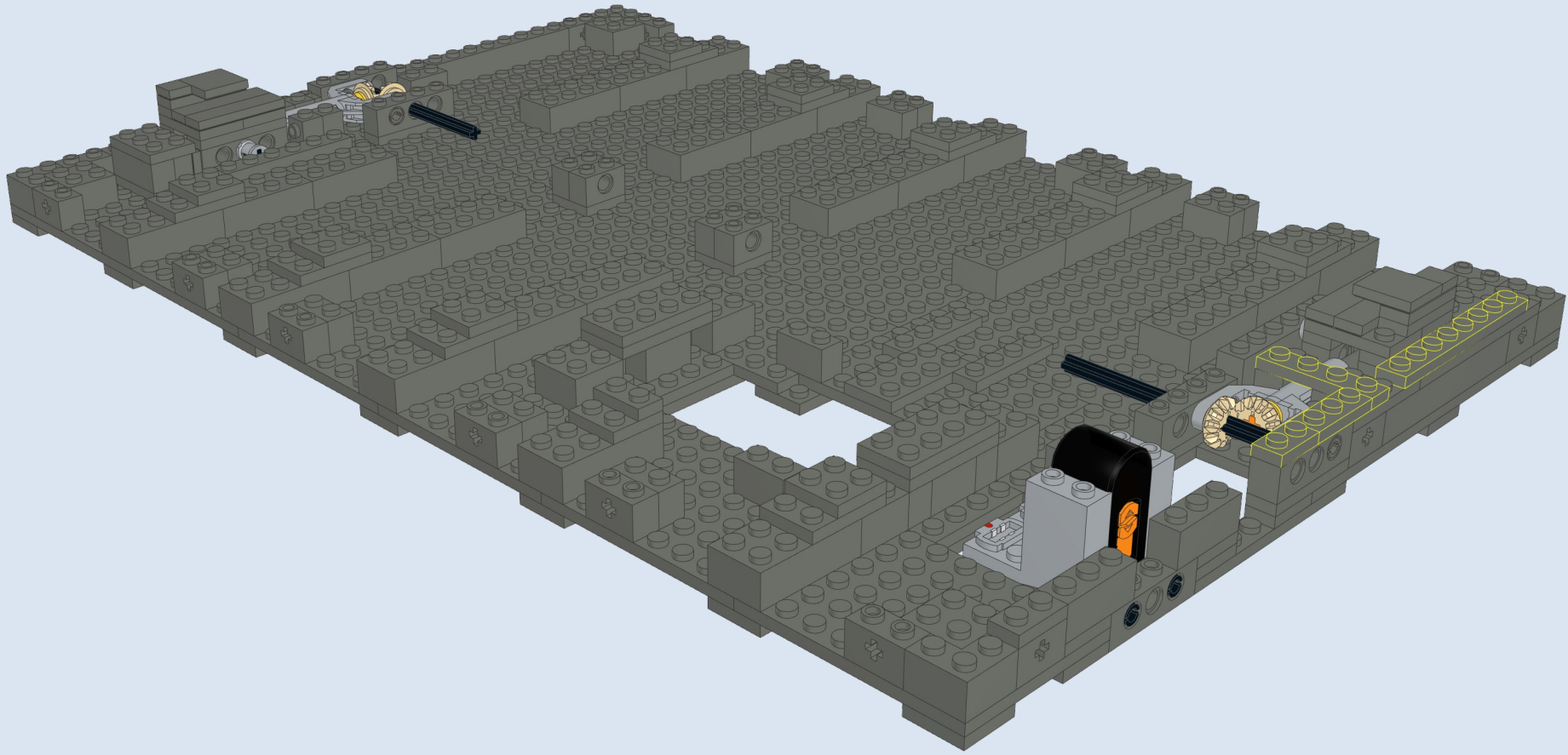
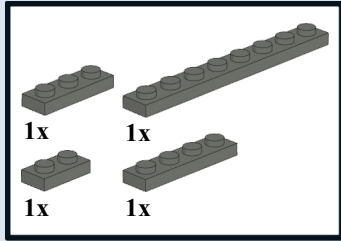


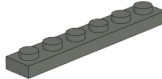
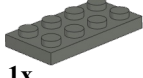
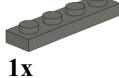
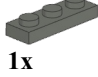
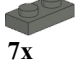


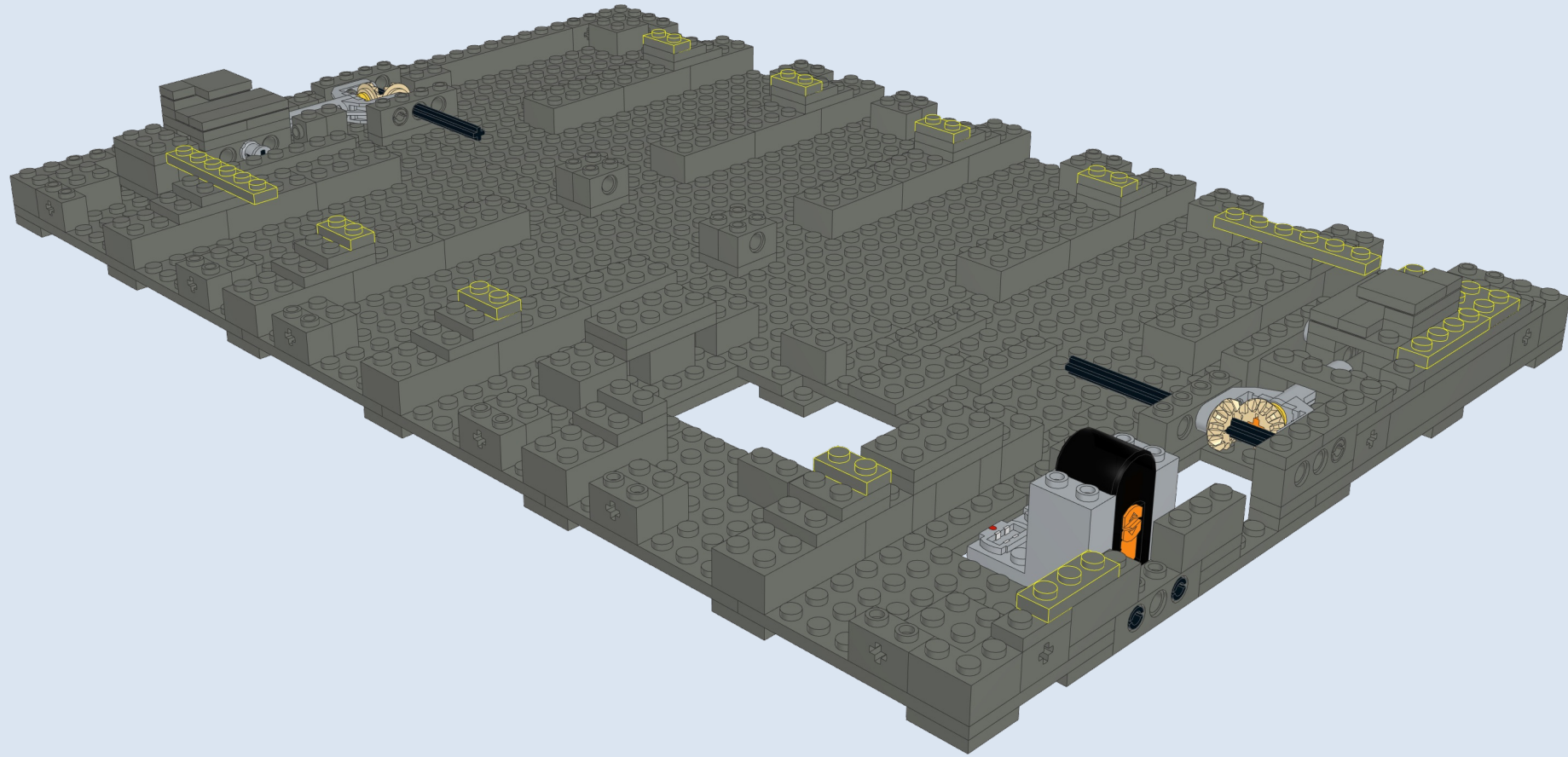


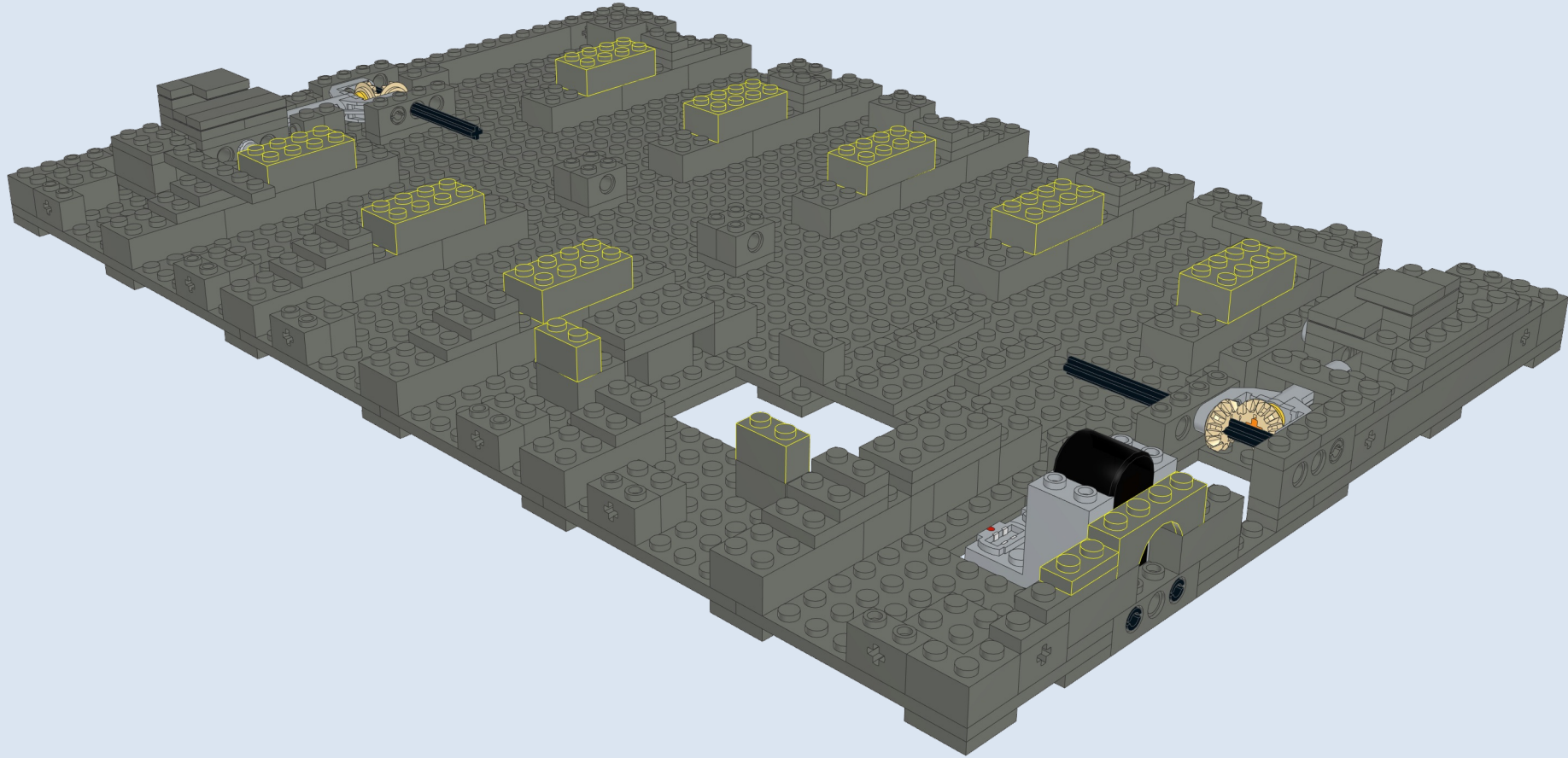
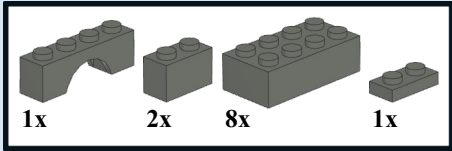




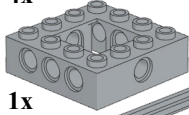
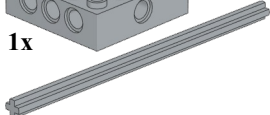
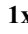

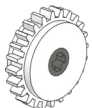


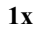





-  2x
-  1x
-  1x
-  1x
-  7x





-  1x
-  4x
-  1x
-  1x
-  1x
-  3x
-  1x
-  1x
-  2x
-  1x
-  1x

